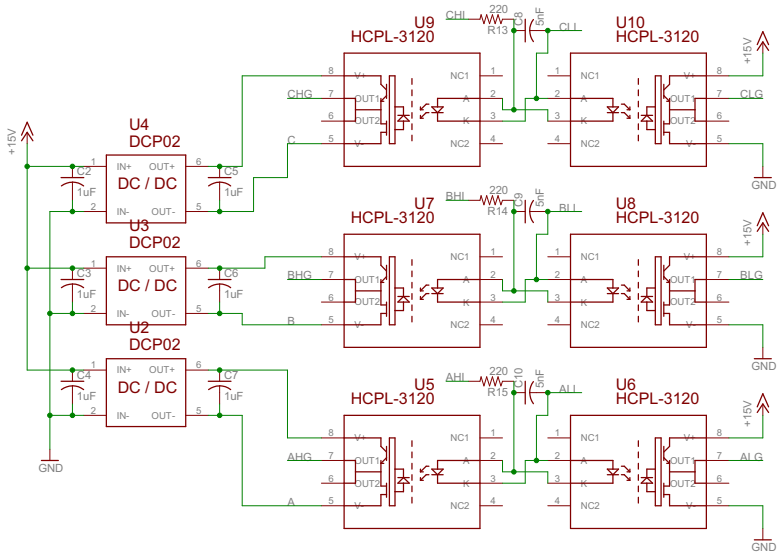
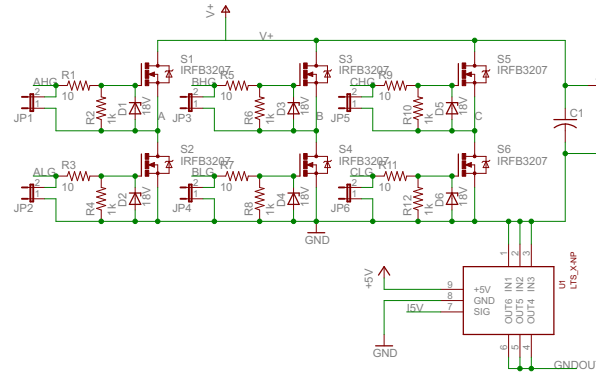


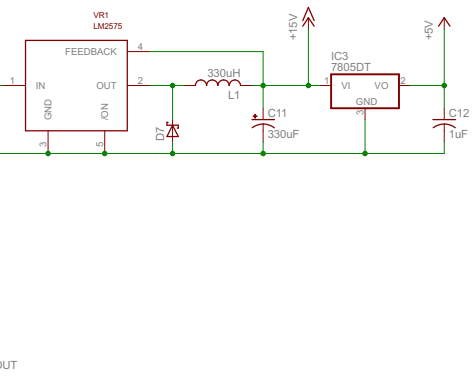
GATE DRIVE:



INVERTER:



POWER SUPPLIES:



SIGNAL SIDE:

