

**Working  
Draft**

**T13  
1321D**

**Revision 3  
29 February 2000**

---

**Information Technology -  
AT Attachment  
with Packet Interface - 5  
(ATA/ATAPI-5)**

This is an internal working document of T13, a Technical Committee of Accredited Standards Committee NCITS. As such, this is not a completed standard and has not been approved. The contents may be modified by the T13 Technical Committee. This document is made available for review and comment only.

Permission is granted to members of NCITS, its technical committees, and their associated task groups to reproduce this document for the purposes of NCITS standardization activities without further permission, provided this notice is included. All other rights are reserved. Any commercial or for-profit replication or republication is prohibited.

T13 Technical Editor:

Peter T. McLean  
Maxtor Corporation  
2190 Miller Drive  
Longmont, CO 80501-6744  
USA

Tel: 303-678-2149  
Fax: 303-682-4811  
Email: [pete\\_mclean@maxtor.com](mailto:pete_mclean@maxtor.com)

---

Reference number  
ANSI NCITS.\*\*\* - xxxx  
Printed February, 29, 2000 10:06AM

Other Points of Contact:

T13 Chair  
Gene Milligan  
Seagate Technology  
OKM 151  
10321 West Reno  
Oklahoma City, OK 73127-9705  
P.O. Box 12313  
Oklahoma City, OK 73157-2313  
Tel: 405-324-3070  
Fax: 405-324-3794

T13 Vice-Chair  
Pete McLean  
Maxtor Corporation  
2190 Miller Drive  
Longmont, CO 80501  
Tel: 303-678-2149  
Fax: 303-682-4811

NCITS Secretariat  
Administrator Standards Processing  
1250 Eye Street, NW Suite 200  
Washington, DC 20005  
Tel: 202-737-8888  
Fax: 202-638-4922  
Email: NCITS@ITIC.NW.DC.US

T13 Reflector

Internet address for subscription to the T13 reflector: majordomo@t13.org  
Send email to above account and include in BODY of text, on a line by itself the following:  
"subscribe T13"

Internet address for unsubscribing to the T13 reflector: majordomo@t13.org  
Send email to above account and include in BODY of text, on a line by itself the following:  
"unsubscribe T13"

Internet address for distribution via T13 reflector: T13@t13.org

T13 Web Site  
<http://www.t13.org>

T13 Anonymous FTP Site  
[fission.dt.wdc.com](http://fission.dt.wdc.com)  
T13 directory is: "/ t13 "

T13 mailings  
Global Engineering  
15 Inverness Way East  
Englewood, CO 80112-5704  
Tel: 303-792-2181 or 800-854-7179  
Fax: 303-792-2192

## DOCUMENT STATUS

Revision 0 - 25 August 1998

Document created from ATA/ATAPI-4-revision 17 (T13/1153Dr17). Added:

- D97150R2 Power-up in Standby as amended at the 8/18/98 plenary.
- D98101R2 State diagram proposal as amended at the 8/18/98 plenary.
- D98102R2 Set multiple proposal as requested at the 4/14-16/98 plenary.
- D98104R0 Master password revision as requested at the 6/16-18/98 plenary.
- D98105R2 Clarification of nIEN and pending interrupt as amended at the 8/18/98 plenary.
- D98111R0 Editorial changes requested at the 4/14-16/98 plenary.
- D98112R2 New identify word as requested at the 8/18/98 plenary.
- D98121R0 Proposed ATA/ATAPI-4 amendment as requested at the 8/18/98 plenary.
- D98122R0 Cable, mechanical, and connector proposal as amended at the 8/18/98 plenary.
- Replaced "should" with "shall in 6.8.2 and removed parenthetical phrase per 8/18/98 plenary.
- Made ATA-1 bit obsolete in IDENTIFY DEVICE word 80 per 8/18/98 plenary.

Revision 0a - 25 September 1998

Made editorial changes requested during the changebar review at the 9/22-23/98 working group meeting.

Revision 0b - 18 December 1998

Added proposal D98113R3 as requested at the 10/27-29/98 plenary meeting.  
Changed Power Management flow chart to a state diagram in clause 6.9.  
Changed security flow chart to a state diagram in clause 6.11.  
Added ANSI ATA/ATAPI-4 editor's editorial changes.  
Added proposal D98134R0 as modified at the 12/8-11/98 plenary.  
Added proposal D98135R2 per 12/8-11/98 plenary.  
Added proposal D98132R1 per 12/8-11/98 plenary.  
Clarified tag values and queue depth per 12/8-11/98 plenary.  
Clarified required registers in clause 8 per 12/8-11/98 plenary.  
Made changes to clause 9 and annex A per review at 12/8-11/98 plenary.

Revision 0c - 5 March 1999

Added proposals:

- D99101R0 Cache flush mandatory proposal
- D99105R0 Self-test log modification
- D99107R0 Checksum definition
- D99108R0 Optional pointer on self-test log

Added insertion force into 4-pin connector description

Made changes per 2/22-26/99 plenary change bar review

Revision 1 - 11 May 1999

Added proposals:

- D98133R4 Ultra DMA 66 timing
- D98144R2 CFA SET FEATURES codes
- D99104R1 Error log depth extension
- D99112R1 Multiword DMA description

Changes requested at 4/27-30/99 plenary meeting.

T13/1321D revision 3

Revision 1a - 26 May 1999

Made editorial changes requested at the May 19-20, 1999 working group meeting.

Revision 1b - 7 July 1999

Added proposal D99122R0, new security state diagram and changed all state diagram text to 9 pt.

Added proposal D98139R3, Protected area locking proposal.

Made changes requested during June 22-25, 1999 document review.

Revision 1c – 31 August 1999

Added proposal D99126R0, CFA code reservations.

Added proposal D99127R0, Byte count = 0 handling.

Made changes requested during August 24-27, 1999 change bar review.

Revision 2 - 13 December 1999

Added proposal D99132R0, Multiword DMA timing diagram.

Added proposal D98109R6, Implementation guide – UMDA as annex D.

Added proposal D99125R0, 8-bit CFA PIO transfers with timing diagram changes.

Made changes requested at the 19-22 October 1999 meeting.

Made changes requested at the 30 November – 2 December 1999 meeting.

Revision 3 - 29 February 2000

Made changes indicated in E00102R1 ATA/ATAPI-5 Letter Ballot comment resolution and other editorial changes requested at the 2/22-25/00 plenary meeting.

**ANSI®**  
**NCITS.\*\*\*-xxxx**

American National Standard  
for Information Systems —

# AT Attachment with Packet Interface - 5 — (ATA/ATAPI-5)

Secretariat  
**Information Technology Industry Council**

Approved mm dd yy

**American National Standards Institute, Inc.**

## **Abstract**

This standard specifies the AT Attachment Interface between host systems and storage devices. It provides a common attachment interface for systems manufacturers, system integrators, software suppliers, and suppliers of intelligent storage devices. It includes the Packet Command feature set implemented by devices commonly known as ATAPI devices.

This standard maintains a high degree of compatibility with the AT Attachment Interface with Packet Interface Extensions (ATA/ATAPI-4), NCITS 317-1998, and while providing additional functions, is not intended to require changes to presently installed devices or existing software.

## American National Standard

Approval of an American National Standard requires verification by ANSI that the requirements for due process, consensus, and other criteria for approval have been met by the standards developer. Consensus is established when, in the judgment of the ANSI Board of Standards Review, substantial agreement has been reached by directly and materially affected interests. Substantial agreement means much more than a simple majority, but not necessarily unanimity. Consensus requires that all views and objections be considered, and that effort be made towards their resolution.

The use of American National Standards is completely voluntary; their existence does not in any respect preclude anyone, whether he has approved the standards or not, from manufacturing, marketing, purchasing, or using products, processes, or procedures not conforming to the standards.

The American National Standards Institute does not develop standards and will in no circumstances give interpretation on any American National Standard. Moreover, no person shall have the right or authority to issue an interpretation of an American National Standard in the name of the American National Standards Institute. Requests for interpretations should be addressed to the secretariat or sponsor whose name appears on the title page of this standard.

**CAUTION NOTICE:** This American National Standard may be revised or withdrawn at any time. The procedures of the American National Standards Institute require that action be taken periodically to reaffirm, revise, or withdraw this standard. Purchasers of American National Standards may receive current information on all standards by calling or writing the American National Standards Institute.

CAUTION: The developers of this standard have requested that holders of patents that may be required for the implementation of the standard, disclose such patents to the publisher. However, neither the developers nor the publisher have undertaken a patent search in order to identify which, if any, patents may apply to this standard.

As of the date of publication of this standard and following calls for the identification of patents that may be required for the implementation of the standard, notice of one or more such claims has been received.

By publication of this standard, no position is taken with respect to the validity of this claim or of any rights in connection therewith. The patent holders have, however, filed a statement of willingness to grant a license under these rights on reasonable and nondiscriminatory terms and conditions to applicants desiring to obtain such a license. Details may be obtained from the publisher.

No further patent search is conducted by the developer or the publisher in respect to any standard it processes. No representation is made or implied that licenses are not required to avoid infringement in the use of this standard.

Published by  
**American National Standards Institute**  
**11 West 42nd Street, New York, New York 10036**

Copyright nnnn by American National Standards Institute  
All rights reserved.

| <b>Contents</b>   | <b>Page</b> |
|---|-------------|
| Foreword .....  | vi          |
| Introduction.....   | viii        |
| 1 Scope .....   | 1           |
| 2 Normative references .....  | 1           |
| 2.1 Approved references.....  | 1           |
| 2.2 References under development.....   | 2           |
| 2.3 Other references .....  | 2           |
| 3 Definitions, abbreviations, and conventions .....                             | 2           |
| 3.1 Definitions and abbreviations .....   | 2           |
| 3.2 Conventions .....   | 5           |
| 4 Interface physical and electrical requirements .....                          | 10          |
| 4.1 Cable configuration .....   | 10          |
| 4.2 Electrical characteristics .....  | 10          |
| 5 Interface signal assignments and descriptions .....                           | 14          |
| 5.1 Signal summary .....  | 14          |
| 5.2 Signal descriptions .....   | 16          |
| 6 General operational requirements.....   | 20          |
| 6.1 Command delivery .....  | 20          |
| 6.2 Register delivered data transfer command sector addressing .....            | 20          |
| 6.3 Interrupts .....  | 22          |
| 6.4 General feature set .....   | 22          |
| 6.5 Multiword DMA.....  | 24          |
| 6.6 Ultra DMA feature set.....  | 25          |
| 6.7 Host determination of cable type by detecting CBLID-.....                   | 27          |
| 6.8 PACKET Command feature set.....   | 29          |
| 6.9 Overlapped feature set.....   | 30          |
| 6.10 Queued feature set .....   | 31          |
| 6.11 Power Management feature set.....  | 32          |
| 6.12 Advanced Power Management feature set.....                                 | 35          |
| 6.13 Security Mode feature set.....   | 35          |
| 6.14 Self-monitoring, analysis, and reporting technology feature set.....       | 41          |
| 6.15 Host Protected Area feature set .....                                      | 42          |
| 6.16 CFA feature set .....  | 47          |
| 6.17 Removable Media Status Notification and Removable Media feature sets ..... | 47          |
| 6.18 Power-Up In Standby feature set .....                                      | 49          |
| 7 Interface register definitions and descriptions .....                         | 50          |
| 7.1 Device addressing considerations.....                                       | 50          |
| 7.2 I/O register descriptions .....   | 56          |
| 7.3 Alternate Status register.....  | 57          |
| 7.4 Command register .....  | 57          |
| 7.5 Cylinder High register.....   | 58          |
| 7.6 Cylinder Low register.....  | 59          |
| 7.7 Data port.....  | 59          |
| 7.8 Data register .....   | 60          |
| 7.9 Device Control register .....   | 61          |
| 7.10 Device/Head register .....   | 62          |
| 7.11 Error register .....   | 62          |
| 7.12 Features register .....  | 63          |
| 7.13 Sector Count register .....  | 64          |
| 7.14 Sector Number register .....   | 64          |
| 7.15 Status register.....   | 65          |
| 8 Command descriptions .....  | 68          |
| 8.1 CFA ERASE SECTORS.....  | 69          |
| 8.2 CFA REQUEST EXTENDED ERROR CODE .....                                       | 71          |

|      |  |     |
|------|--|-----|
| 8.3  | CFA TRANSLATE SECTOR .....                   | 73  |
| 8.4  | CFA WRITE MULTIPLE WITHOUT ERASE .....       | 75  |
| 8.5  | CFA WRITE SECTORS WITHOUT ERASE .....        | 77  |
| 8.6  | CHECK POWER MODE .....                       | 79  |
| 8.7  | DEVICE RESET .....                           | 81  |
| 8.8  | DOWNLOAD MICROCODE .....                     | 82  |
| 8.9  | EXECUTE DEVICE DIAGNOSTIC .....              | 84  |
| 8.10 | FLUSH CACHE .....                            | 86  |
| 8.11 | GET MEDIA STATUS .....                       | 87  |
| 8.12 | IDENTIFY DEVICE .....                        | 89  |
| 8.13 | IDENTIFY PACKET DEVICE .....                 | 109 |
| 8.14 | IDLE .....                                   | 120 |
| 8.15 | IDLE IMMEDIATE .....                         | 122 |
| 8.16 | INITIALIZE DEVICE PARAMETERS .....           | 124 |
| 8.17 | MEDIA EJECT .....                            | 126 |
| 8.18 | MEDIA LOCK .....                             | 128 |
| 8.19 | MEDIA UNLOCK .....                           | 130 |
| 8.20 | NOP .....                                    | 132 |
| 8.21 | PACKET .....                                 | 133 |
| 8.22 | READ BUFFER .....                            | 139 |
| 8.23 | READ DMA .....                               | 141 |
| 8.24 | READ DMA QUEUED .....                        | 143 |
| 8.25 | READ MULTIPLE .....                          | 147 |
| 8.26 | READ NATIVE MAX ADDRESS .....                | 150 |
| 8.27 | READ SECTOR(S) .....                         | 151 |
| 8.28 | READ VERIFY SECTOR(S) .....                  | 154 |
| 8.29 | SECURITY DISABLE PASSWORD .....              | 156 |
| 8.30 | SECURITY ERASE PREPARE .....                 | 158 |
| 8.31 | SECURITY ERASE UNIT .....                    | 159 |
| 8.32 | SECURITY FREEZE LOCK .....                   | 162 |
| 8.33 | SECURITY SET PASSWORD .....                  | 164 |
| 8.34 | SECURITY UNLOCK .....                        | 166 |
| 8.35 | SEEK .....                                   | 168 |
| 8.36 | SERVICE .....                                | 170 |
| 8.37 | SET FEATURES .....                           | 171 |
| 8.38 | SET MAX .....                                | 176 |
| 8.39 | SET MULTIPLE MODE .....                      | 187 |
| 8.40 | SLEEP .....                                  | 189 |
| 8.41 | SMART .....                                  | 191 |
| 8.42 | STANDBY .....                                | 218 |
| 8.43 | STANDBY IMMEDIATE .....                      | 220 |
| 8.44 | WRITE BUFFER .....                           | 221 |
| 8.45 | WRITE DMA .....                              | 223 |
| 8.46 | WRITE DMA QUEUED .....                       | 225 |
| 8.47 | WRITE MULTIPLE .....                         | 229 |
| 8.48 | WRITE SECTOR(S) .....                        | 232 |
| 9    | Protocol .....                               | 234 |
| 9.1  | Power-on and hardware reset protocol .....   | 237 |
| 9.2  | Software reset protocol .....                | 241 |
| 9.3  | Bus idle protocol .....                      | 245 |
| 9.4  | Non-data command protocol .....              | 256 |
| 9.5  | PIO data-in command protocol .....           | 258 |
| 9.6  | PIO data-out command protocol .....          | 262 |
| 9.7  | DMA command protocol .....                   | 266 |
| 9.8  | PACKET command protocol .....                | 269 |
| 9.9  | READ/WRITE DMA QUEUED command protocol ..... | 282 |



|      |   |     |
|------|---|-----|
| 9.10 | EXECUTE DEVICE DIAGNOSTIC command protocol..... | 286 |
| 9.11 | DEVICE RESET command protocol .....             | 290 |
| 9.12 | Signature and persistence.....                  | 291 |
| 9.13 | Ultra DMA data-in commands .....                | 292 |
| 9.14 | Ultra DMA data-out commands .....               | 295 |
| 9.15 | Ultra DMA CRC rules .....                       | 298 |
| 9.16 | Single device configurations .....              | 299 |
| 10   | Timing.....                                     | 300 |
| 10.1 | Deskewing.....                                  | 300 |
| 10.2 | Transfer timing.....                            | 301 |

## Tables

## Page

|    |   |     |
|----|---|-----|
| 1  | Byte order.....   | 10  |
| 2  | Byte order.....   | 10  |
| 3  | DC characteristics .....  | 11  |
| 4  | AC characteristics .....  | 11  |
| 5  | Driver types and required termination .....   | 12  |
| 6  | Typical series termination for Ultra DMA .....  | 14  |
| 7  | Interface signal name assignments.....  | 15  |
| 8  | Host detection of CBLID-.....   | 29  |
| 9  | Security mode command actions .....   | 40  |
| 10 | Device response to DOIW-/DOIR-.....   | 51  |
| 11 | Device is not selected, DMACK- is not asserted.....                                   | 52  |
| 12 | Device is selected, DMACK- is not asserted.....                                       | 53  |
| 13 | Device is selected, DMACK- is asserted (for Multiword DMA only).....                  | 54  |
| 14 | Device 1 is selected and Device 0 is responding for Device 1.....                     | 55  |
| 15 | Device is in Sleep mode, DEVICE RESET is not implemented, DMACK- is not asserted..... | 56  |
| 16 | Device is in Sleep mode, DEVICE RESET is implemented, DMACK- is not asserted .....    | 56  |
| 17 | Extended error codes .....  | 72  |
| 18 | CFA TRANSLATE SECTOR information.....   | 74  |
| 19 | Diagnostic codes .....  | 85  |
| 20 | IDENTIFY DEVICE information .....   | 92  |
| 21 | Minor revision number.....  | 103 |
| 22 | IDENTIFY PACKET DEVICE information .....  | 111 |
| 23 | Automatic standby timer periods .....   | 121 |
| 24 | Security password content.....  | 158 |
| 25 | SECURITY ERASE UNIT password.....   | 162 |
| 26 | SECURITY SET PASSWORD data content.....   | 165 |
| 27 | Identifier and security level bit interaction.....                                    | 166 |
| 28 | SET FEATURES register definitions .....   | 173 |
| 29 | Transfer/mode values.....   | 174 |
| 30 | Advanced power management levels.....   | 175 |
| 31 | SET MAX Features register values.....   | 177 |
| 32 | SET MAX SET PASSWORD data content.....  | 181 |
| 33 | SMART Feature register values .....   | 191 |
| 34 | SMART EXECUTE OFF-LINE IMMEDIATE Sector Number register values .....                  | 199 |
| 35 | Device SMART data structure .....   | 203 |
| 36 | Off-line data collection status byte values .....                                     | 203 |
| 37 | Self-test execution status byte values .....  | 204 |
| 38 | Log address definition.....   | 206 |
| 39 | SMART log directory .....   | 208 |
| 40 | SMART error log sector .....  | 208 |
| 41 | Error log data structure.....   | 209 |
| 42 | Command data structure .....  | 209 |

|    |   |     |
|----|---|-----|
| 43 | Error data structure.....                                   | 210 |
| 44 | State field values .....                                    | 210 |
| 45 | Self-test log data structure.....                           | 211 |
| 46 | Self-test log descriptor entry .....                        | 212 |
| 47 | Equations for parallel generation of a CRC polynomial ..... | 299 |
| 48 | Register transfer to/from device.....                       | 303 |
| 49 | PIO data transfer to/from device .....                      | 305 |
| 50 | Multiword DMA data transfer.....                            | 306 |
| 51 | Ultra DMA data burst timing requirements.....               | 312 |

## Figures

## Page

|    |   |     |
|----|---|-----|
| 1  | State diagram convention.....   | 8   |
| 2  | Ultra DMA termination with pull-up or pull-down .....                               | 14  |
| 3  | PDIAG- example using an 80-conductor cable assembly.....                            | 18  |
| 4  | Cable select example .....  | 19  |
| 5  | Alternate cable select example.....   | 19  |
| 6  | Example configuration of a system with a 40-conductor cable.....                    | 28  |
| 7  | Example configuration of a system where the host detects a 40-conductor cable ..... | 28  |
| 8  | Example configuration of a system where the host detects an 80-conductor cable..... | 29  |
| 9  | Power management state diagram .....  | 33  |
| 10 | Security mode state diagram .....   | 37  |
| 11 | SET MAX security state diagram.....   | 45  |
| 12 | Overall host protocol state sequence.....   | 235 |
| 13 | Overall device protocol state sequence .....  | 236 |
| 14 | Host power-on or hardware reset state diagram .....                                 | 237 |
| 15 | Device power-on or hardware reset state diagram.....                                | 238 |
| 16 | Host software reset state diagram .....   | 241 |
| 17 | Device 0 software reset state diagram.....  | 242 |
| 18 | Device 1 software reset state diagram.....  | 244 |
| 19 | Host bus idle state diagram .....   | 246 |
| 20 | Additional host bus idle state diagram with overlap or overlap and queuing .....    | 248 |
| 21 | Device bus idle state diagram .....   | 251 |
| 22 | Additional device bus idle state diagram with overlap or overlap and queuing.....   | 253 |
| 23 | Host non-data state diagram.....  | 257 |
| 24 | Device non-data state diagram .....   | 257 |
| 25 | Host PIO data-in state diagram .....  | 259 |
| 26 | Device PIO data-in state diagram .....  | 261 |
| 27 | Host PIO data-out state diagram .....   | 263 |
| 28 | Device PIO data-out state diagram .....   | 265 |
| 29 | Host DMA state diagram .....  | 267 |
| 30 | Device DMA state diagram .....  | 268 |
| 31 | Host PACKET non-data and PIO data command state diagram.....                        | 270 |
| 32 | Device PACKET non-data and PIO data command state diagram.....                      | 273 |
| 33 | Host PACKET DMA command state diagram.....  | 276 |
| 34 | Device PACKET DMA command state diagram .....                                       | 279 |
| 35 | Host DMA QUEUED state diagram .....   | 282 |
| 36 | Device DMA QUEUED command state diagram .....                                       | 284 |
| 37 | Host EXECUTE DEVICE DIAGNOSTIC state diagram .....                                  | 286 |
| 38 | Device 0 EXECUTE DEVICE DIAGNOSTIC state diagram.....                               | 287 |
| 39 | Device 1 EXECUTE DEVICE DIAGNOSTIC command state diagram .....                      | 289 |
| 40 | Host DEVICE RESET command state diagram .....                                       | 290 |
| 41 | Device DEVICE RESET command state diagram.....                                      | 291 |
| 42 | Example parallel CRC generator.....   | 299 |
| 43 | Register transfer to/from device.....   | 302 |
| 44 | PIO data transfer to/from device .....  | 304 |

|           |  |     |
|-----------|--|-----|
| <b>45</b> | Initiating a Multiword DMA data transfer .....         | 307 |
| <b>46</b> | Sustaining a Multiword DMA data transfer .....         | 308 |
| <b>47</b> | Device terminating a Multiword DMA data transfer ..... | 309 |
| <b>48</b> | Host terminating a Multiword DMA data transfer .....   | 310 |
| <b>49</b> | Initiating an Ultra DMA data-in burst .....            | 313 |
| <b>50</b> | Sustained Ultra DMA data-in burst .....                | 314 |
| <b>51</b> | Host pausing an Ultra DMA data-in burst .....          | 315 |
| <b>52</b> | Device terminating an Ultra DMA data-in burst .....    | 316 |
| <b>53</b> | Host terminating an Ultra DMA data-in burst .....      | 317 |
| <b>54</b> | Initiating an Ultra DMA data-out burst .....           | 318 |
| <b>55</b> | Sustained Ultra DMA data-out burst .....               | 319 |
| <b>56</b> | Device pausing an Ultra DMA data-out burst .....       | 320 |
| <b>57</b> | Host terminating an Ultra DMA data-out burst .....     | 321 |
| <b>58</b> | Device terminating an Ultra DMA data-out burst .....   | 322 |

| <b>Annexes</b>  | <b>Page</b> |
|---|-------------|
| <b>A</b> Connectors and cable assemblies .....  | 323         |
| <b>B</b> Device determination of cable type .....                                     | 343         |
| <b>C</b> Identify device data for devices with more than 1024 logical cylinders ..... | 346         |
| <b>D</b> Signal integrity and UDMA implementation guide .....                         | 349         |
| <b>E</b> Bibliography .....   | 392         |
| <b>F</b> ATA command set summary .....  | 393         |

## Foreword

(This foreword is not part of American National Standard NCITS \*\*\*-\*\*\*\*.)

This AT Attachment with Packet Interface -5 (ATA/ATAPI-5) standard is designed to maintain a high degree of compatibility with the AT Attachment with Packet Interface (ATA/ATAPI-4) standard.

This standard was developed by the ATA ad hoc working group of Accredited Standards Committee NCITS during 1998-99. The standards approval process started in 1999. This document includes annexes that are informative and are not considered part of the standard.

Requests for interpretation, suggestions for improvement and addenda, or defect reports are welcome. They should be sent to the NCITS Secretariat, Information Technology Industry Council, 1250 Eye Street, NW, Suite 200, Washington, DC 20005-3922.

This standard was processed and approved for submittal to ANSI by Accredited Standards Committee on Information Processing Systems, NCITS. Committee approval of the standard does not necessarily imply that all committee members voted for approval. At the time it approved this standard, the NCITS Committee had the following members:

Karen Higginbottom, Chair  
(Vacant), Vice-Chair  
Monica Vago, Secretary

| <i>Organization Represented</i> .....                       | <i>Name of Representative</i>               |
|---|---|
| AMP, Inc .....  | John Hill<br>Charles Brill (Alt.)           |
| Apple Computer .....  | David Michael<br>Jerry Kellenbenz (Alt.)    |
| AT&T .....  | Thomas Frost<br>Paul Bartoli (Alt.)         |
| Bull HN Information Systems, Inc. ....                      | Patrick L. Harris                           |
| Compaq Computer Corporation.....                            | Steven Heil<br>Seve Park (Alt.)             |
| Eastman Kodak .....   | Michael Nier                                |
| Hewlett-Packard.....  | Karen Higginbottom<br>Donald Loughry (Alt.) |
| Hitachi America, Ltd. ....                                  | John Neumann<br>Kei Yamashita (Alt.)        |
| Hughes Aircraft Company .....                               | Harold L. Zebrack                           |
| IBM Corporation .....                                       | Ron Silletti<br>Joel Urman (Alt.)           |
| Institute for Certification of Computer Professionals ..... | Kenneth M. Zemrowski<br>Tom Kurihara (Alt.) |
| Lucent Technologies, Inc. ....                              | Herbert Bertine<br>Tom Rutt (Alt.)          |
| National Communications Systems .....                       | Dennis Bodson<br>Frack McClelland (Alt.)    |
| National Institute of Standards and Technology .....        | Michael Hogan<br>Bruce K. Rosen (Alt.)      |
| Panasonic Technologies, Inc.....                            | Judson Hofmann<br>Terry J. Nelson (Alt.)    |
| Share, Inc.....   | David Thewlis<br>Gary Ainsworth (Alt.)      |
| Sony Electronics, Inc. ....                                 | Masataka Ogawa<br>Michael Deese (Alt.)      |

| <i>Organization Represented</i> ..... | <i>Name of Representative</i> |
|---------------------------------------|-------------------------------|
| Storage Technology Corporation .....  | Joseph S. Zajackowski         |
| Sun Microsystems, Inc. ....           | Gary Robinson                 |
| Sybase, Inc. ....                     | Donald Deutsch                |
|                                       | Andrew Eisenberg (Alt.)       |
| Texas Instruments, Inc.....           | Clyde Camp                    |
|                                       | Fritz Whittington (Alt.)      |
| Unisys Corporation .....              | Arnold F. Winkler             |
|                                       | Stephen P. Oksala (Alt.)      |
| U.S. Department of Defense/DISA.....  | Jerry L. Smith                |
|                                       | C. J. Pasquariello (Alt.)     |
| U.S. Department of Energy.....        | Carol Blackston               |
|                                       | Bruce R. White (Alt.)         |
| Xerox Corporation .....               | John B. Flannery              |
|                                       | Jean Baroness (Alt.)          |

Subcommittee T13 on ATA Interfaces, that reviewed this standard, had the following members:

Gene Milligan, Chairman

Pete McLean, Vice-Chairman

Dan Colegrove, Secretary

|                    |                          |                              |
|--------------------|--------------------------|------------------------------|
| Amy Barton         | Gene Milligan            | Richard Harcourt [Alternate] |
| Darrin Bulik       | Masataka Ogawa           | LeRoy Leach [Alternate]      |
| Litko Chan         | Darrell Redford          | Wen Lin [Alternate]          |
| Ben Chang          | Ron Roberts              | James McGrath [Alternate]    |
| Dan Colegrove      | Matt Rooke               | Kha Nguyen [Alternate]       |
| Tom Colligan       | Bob Salem                | Marc Noblitt [Alternate]     |
| David Dickson      | Curtis Stevens           | Yogi Schaffner [Alternate]   |
| Greg Elkins        | Tim Thompson             | Paresh Sheth [Alternate]     |
| Mark Evans         | Anthony Yang             | Ron Stephens [Alternate]     |
| Tony Goodfellow    | Ken Bovatsek [Alternate] | Seiro Taniyama [Alternate]   |
| Tasuku Kasebayashi | Tim Bradshaw [Alternate] | Tokuyuki Totani [Alternate]  |
| Hale Landis        | Andy Chen [Alternate]    | Tri Van [Alternate]          |
| Ming Louie         | Renee Depew [Alternate]  | Quang Vuong [Alternate]      |
| Pete McLean        | Tom Hanan [Alternate]    | Sam Wong [Alternate]         |

ATA/ATAPI ad hoc Working Group, that developed this standard, had the following additional participants:

|                  |                  |                 |
|------------------|------------------|-----------------|
| Charles Brill    | Jonathan Hanmann | Lawrence Lamers |
| Mike Christensen | Jim Hatfield     | Raymond Liu     |
| Michael Eschmann | Richard Kalish   | Kent Pryor      |
| Jon Haines       | Eric Kvamme      | Paul Raikunen   |

## **Introduction**

This standard encompasses the following:

Clause 1 describes the scope.

Clause 2 provides normative references.

Clause 3 provides definitions, abbreviations, and conventions used within this document.

Clause 4 contains the electrical and mechanical characteristics; covering the interface cabling requirements of the interface and DC cables and connectors.

Clause 5 contains the signal descriptions of the AT Attachment Interface.

Clause 6 describes the general operating requirements of the AT Attachment Interface.

Clause 7 contains descriptions of the registers of the AT Attachment Interface.

Clause 8 contains descriptions of the commands of the AT Attachment Interface.

Clause 9 contains the protocol of the AT Attachment Interface.

Clause 10 contains the interface timing diagrams.

American National Standard  
for Information Systems —

## **Information Technology 3/4**

### **AT Attachment with Packet Interface - 53/4 (ATA/ATAPI-5)**

## **1 Scope**

This standard specifies the AT Attachment Interface between host systems and storage devices. It provides a common attachment interface for systems manufacturers, system integrators, software suppliers, and suppliers of intelligent storage devices.

The application environment for the AT Attachment Interface is any host system that has storage devices contained within the processor enclosure.

This standard defines the connectors and cables for physical interconnection between host and storage device, as well as the electrical and logical characteristics of the interconnecting signals. It also defines the operational registers within the storage device, and the commands and protocols for the operation of the storage device.

This standard maintains a high degree of compatibility with the AT Attachment with Packet Interface Extensions standard (ATA/ATAPI-4), NCITS 317-1998, and while providing additional functions, is not intended to require changes to presently installed devices or existing software.

## **2 Normative references**

The following standards contain provisions that, through reference in the text, constitute provisions of this standard. At the time of publication, the editions indicated were valid. All standards are subject to revision, and parties to agreements based on this standard are encouraged to investigate the possibility of applying the most recent editions of the standards listed below.

Copies of the following documents can be obtained from ANSI: Approved ANSI standards, approved and draft international and regional standards (ISO, IEC, CEN/CENELEC, ITUT), and approved and draft foreign standards (including BSI, JIS, and DIN). For further information, contact ANSI Customer Service Department at 212-642-4900 (phone), 212-302-1286 (fax), or via the World Wide Web at <http://www.ansi.org>.

Additional availability contact information is provided below as needed.

### **2.1 Approved references**

The following approved ANSI standards, approved international and regional standards (ISO, IEC, CEN/CENELEC, ITUT), may be obtained from the international and regional organizations who control them.

|                                  |  |
|----------------------------------|--|
| SCSI-3 Primary Commands (SPC)    | [NCITS 301:1997] (PACKET command feature set device types) |
| SCSI-3 Multimedia Commands (MMC) | [NCITS 304:1997] (PACKET command feature set sense codes)  |

To obtain copies of these documents, contact Global Engineering or NCITS.

## 2.2 References under development

At the time of publication, the following referenced standards were still under development. For information on the current status of the document, or regarding availability, contact the relevant standards body or other organization as indicated.

|                                   |  |
|-----------------------------------|--|
| SCSI Primary Commands - 2 (SPC-2) | [T10/1236-D] (PACKET command feature set commands) |
| SCSI Primary Commands - 3 (SPC-3) | [T10/1416-D] (PACKET command feature set commands) |
| Multimedia Commands - 2 (MMC-2)   | [T10/1228-D] (PACKET command feature set commands) |
| Multimedia Commands - 3 (MMC-3)   | [T10/1363-D] (PACKET command feature set commands) |

For more information on the current status of the above documents, contact NCITS. To obtain copies of these documents, contact Global Engineering or NCITS.

## 2.3 Other references

The following standard and specifications were also referenced.

PC Card Standard , February 1995, PCMCIA (68-pin Connector)

For the PC Card Standard published by the Personal Computer Memory Card International Association, contact PCMCIA at 408-433-2273.

CompactFlash™ Association Specification, Revision 1.4

For the CompactFlash™ Association Specification published by the CompactFlash™ Association, contact the CompactFlash™ Association at <http://www.compactflash.org>.

## 3 Definitions, abbreviations, and conventions

### 3.1 Definitions and abbreviations

For the purposes of this standard, the following definitions apply:

**3.1.1 ATA (AT Attachment):** ATA defines the physical, electrical, transport, and command protocols for the internal attachment of storage devices.

**3.1.2 ATA-1 device:** A device that complied with ANSI X3.221-1994, the AT Attachment Interface for Disk Drives. ANSI X3.221-1994 has been withdrawn.

**3.1.3 ATA-2 device:** A device that complies with ANSI X3.279-1996, the AT Attachment Interface with Extensions.

**3.1.4 ATA-3 device:** A device that complies with ANSI X3.298-1997, the AT Attachment-3 Interface.

**3.1.5 ATA/ATAPI-4 device:** A device that complies with ANSI NCITS 317-1998, AT Attachment Interface with Packet Interface Extensions.

**3.1.6 ATA/ATAPI-5 device:** A device that complies with this standard.

**3.1.7 ATAPI (AT Attachment Packet Interface) device:** A device implementing the Packet Command feature set.



- 3.1.8 bus release:** For devices implementing overlap, the term bus release is the act of clearing both DRQ and BSY to zero before the action requested by the command is completed to allow the host to select the other device.
- 3.1.9 byte count:** The value placed in the Byte Count register by the device to indicate the number of bytes to be transferred under this DRQ assertion when executing a PACKET PIO data transfer command.
- 3.1.10 byte count limit:** The value placed in the Byte Count register by the host as input to a PACKET PIO data transfer command to indicate the maximum byte count that may be transferred under a single DRQ assertion.
- 3.1.11 CFA:** The CompactFlash™ Association that created the specification for compact flash memory that uses the ATA interface.
- 3.1.12 check condition:** For devices implementing the PACKET Command feature set, this indicates an error or exception condition has occurred.
- 3.1.13 CHS (cylinder-head-sector):** This term defines the addressing of the data on the device by cylinder number, head number, and sector number.
- 3.1.14 command aborted:** Command completion with ABRT set to one in the Error register and ERR set to one in the Status register.
- 3.1.15 command acceptance:** A command is considered accepted whenever the currently selected device has the BSY bit cleared to zero in the Status register and the host writes to the Command register. An exception exists for the EXECUTE DEVICE DIAGNOSTIC (see 8.9) and DEVICE RESET commands (see 8.7).
- 3.1.16 Command Block registers:** Interface registers used for delivering commands to the device or posting status from the device.
- 3.1.17 command completion:** Command completion is the completion by the device of the action requested by the command or the termination of the command with an error, the placing of the appropriate error bits in the Error register, the placing of the appropriate status bits in the Status register, the clearing of both BSY and DRQ to zero, and the asserting of INTRQ if nIEN is cleared to zero and the command protocol specifies that INTRQ be asserted.
- 3.1.18 command packet:** A command packet is a data structure transmitted to the device during the execution of a PACKET command that includes the command and command parameters.
- 3.1.19 command released:** When a device supports overlap or queuing, a command is considered released when a bus release occurs before the command is completed.
- 3.1.20 Control Block registers:** Interface registers used for device control and to post alternate status.
- 3.1.21 CRC:** Cyclical Redundancy Check used to check the validity of certain data transfers.
- 3.1.22 device:** Device is a storage peripheral. Traditionally, a device on the interface has been a hard disk drive, but any form of storage device may be placed on the interface provided the device adheres to this standard.
- 3.1.23 device selection:** A device is selected when the DEV bit of the Device/Head register is equal to the device number assigned to the device by means of a Device 0/Device 1 jumper or switch, or use of the CSEL signal.

**3.1.24 DMA (direct memory access) data transfer:** A means of data transfer between device and host memory without host processor intervention.

**3.1.25 don't care:** A term to indicate that a value is irrelevant for the particular function described.

**3.1.26 driver:** The active circuit inside a device or host that sources or sinks current to assert or negate a signal on the bus.

**3.1.27 DRQ data block:** This term describes a unit of data words transferred during a single assertion of DRQ when using PIO data transfer. A data block is transferred between the host and the device as a complete unit. A data block is a sector, except for data blocks of READ MULTIPLE and WRITE MULTIPLE commands. In the cases of READ MULTIPLE and WRITE MULTIPLE commands, the size of the data block may be changed in multiples of sectors by the SET MULTIPLE MODE command.

**3.1.28 interrupt pending:** Interrupt pending is an internal state of a device that exists when the device shall to notify the host of an event by asserting INTRQ if nIEN is cleared to zero (see 6.3).

**3.1.29 LBA (logical block address):** This term defines the addressing of data on the device by the linear mapping of sectors.

**3.1.30 master:** In ATA-1, Device 0 has also been referred to as the master. Throughout this document the term Device 0 is used.

**3.1.31 native max address:** The highest address a device accepts in the factory default condition, that is, the highest address that is accepted by the SET MAX ADDRESS command. The capacity defined by native max address may be different in CHS and LBA translations.

**3.1.32 overlap:** Overlap is a protocol that allows devices that require extended command time to perform a bus release so that commands may be executed by the other device on the bus.

**3.1.33 packet delivered command:** A command that is delivered to the device using the PACKET command via a command packet that contains the command and the command parameters.

**3.1.34 PIO (programmed input/output) data transfer:** PIO data transfers are performed by the host processor utilizing PIO register accesses to the Data register.

**3.1.35 queued:** Command queuing allows the host to issue concurrent commands to the same device. Only commands included in the Overlapped feature set may be queued. In this standard, the queue contains all commands for which command acceptance has occurred but command completion has not occurred.

**3.1.36 read command:** A command that causes the device to read data from the media (e.g., READ SECTOR(S), READ DMA, etc.).

**3.1.37 register delivered command:** A command that is delivered to the device by placing the command and all of the parameters for the command in the device Command Block registers.

**3.1.38 register transfers:** Register transfers refer to the host reading and writing any device register except the Data register. Register transfers are 8 bits wide.

**3.1.39 released:** Indicates that a signal is not being driven. For tri-state drivers, this means that the driver is in the high impedance state. For open-collector drivers, the driver is not asserted.

**3.1.40 sector:** A uniquely addressable set of 256 words (512 bytes).

**3.1.41 signature:** A unique set of values placed in the Command Block registers by the device to allow the host to distinguish between register delivered command devices and packet delivered command devices.

**3.1.42 slave:** In ATA-1, Device 1 has also been referred to as the slave. Throughout this document the term Device 1 is used.

**3.1.43 SMART:** Self-Monitoring, Analysis, and Reporting Technology for prediction of device degradation and/or faults. Throughout this document this is noted as SMART.

**3.1.44 Ultra DMA burst:** An Ultra DMA burst is defined as the period from an assertion of DMACK- to the subsequent negation of DMACK- when Ultra DMA has been enabled by the host.

**3.1.45 unit attention condition:** A state that a device implementing the PACKET Command feature set maintains while the device has asynchronous status information to report to the host.

**3.1.46 unrecoverable error:** An unrecoverable error is defined as having occurred at any point when the device sets either the ERR bit or the DF bit to one in the Status register at command completion.

**3.1.47 VS (vendor specific):** This term is used to describe bits, bytes, fields, and code values that are reserved for vendor specific purposes. These bits, bytes, fields, and code values are not described in this standard, and may vary among vendors. This term is also applied to levels of functionality whose definition is left to the vendor.

NOTE – Industry practice could result in conversion of a Vendor Specific bit, byte, field, or code value into a defined standard value in a future standard.

**3.1.48 write command:** A command that causes the device to write data to the media (e.g., WRITE SECTOR(S), WRITE DMA, etc.).

## 3.2 Conventions

Lowercase is used for words having the normal English meaning. Certain words and terms used in this standard have a specific meaning beyond the normal English meaning. These words and terms are defined either in clause 3 or in the text where they first appear.

The names of abbreviations, commands, fields, and acronyms used as signal names are in all uppercase (e.g., IDENTIFY DEVICE). Fields containing only one bit are usually referred to as the "name" bit instead of the "name" field. (see 3.2.6 for the naming convention used for naming bits.)

Names of device registers begin with a capital letter (e.g., Cylinder Low register).

### 3.2.1 Precedence

If there is a conflict between text, figures, and tables, the precedence shall be tables, figures, then text.

### 3.2.2 Lists

Ordered lists, those lists describing a sequence, are of the form:

- a)
- b)
- 1)
- 2)
- c)

Unordered list are of the form:

- 1)
- 2)
- a)
- b)
- 3)

### 3.2.3 Keywords

Several keywords are used to differentiate between different levels of requirements and optionality.

**3.2.3.1 expected:** A keyword used to describe the behavior of the hardware or software in the design models assumed by this standard. Other hardware and software design models may also be implemented.

**3.2.3.2 mandatory:** A keyword indicating items to be implemented as defined by this standard.

**3.2.3.3 may:** A keyword that indicates flexibility of choice with no implied preference.

**3.2.3.4 obsolete:** A keyword used to describe bits, bytes, fields, and code values that no longer have consistent meaning or functionality from one implementation to another. However, some degree of functionality may be required for items designated as “obsolete” to provide for backward compatibility. An obsolete bit, byte, field, or command shall never be reclaimed for any other use in any future standard.

Obsolete commands should not be used by the host. Commands defined as obsolete in previous standards may be command aborted by devices conforming to this standard. However, if a device does not command abort an obsolete command, the minimum that is required by the device in response to the command is command completion.

**3.2.3.5 optional:** A keyword that describes features that are not required by this standard. However, if any optional feature defined by the standard is implemented, the feature shall be implemented in the way defined by the standard.

**3.2.3.6 retired:** A keyword indicating that the designated bits, bytes, fields, and code values that had been defined in previous standards are not defined in this standard and may be reclaimed for other uses in future standards. If retired bits, bytes, fields, or code values are utilized before they are reclaimed, they shall have the meaning or functionality as described in previous standards.

**3.2.3.7 reserved:** A keyword indicating reserved bits, bytes, words, fields, and code values that are set aside for future standardization. Their use and interpretation may be specified by future extensions to this or other standards. A reserved bit, byte, word, or field shall be set to zero, or in accordance with a future extension to this standard. The recipient shall not check reserved bits, bytes, words, or fields. Receipt of reserved code values in defined fields shall be treated as a command parameter error and reported by returning command aborted.

**3.2.3.8 shall:** A keyword indicating a mandatory requirement. Designers are required to implement all such mandatory requirements to ensure interoperability with other standard conformant products.

**3.2.3.9 should:** A keyword indicating flexibility of choice with a strongly preferred alternative. Equivalent to the phrase "it is recommended".

### 3.2.4 Numbering

Numbers that are not immediately followed by a lowercase "b" or "h" are decimal values. Numbers that are immediately followed by a lowercase "b" (e.g., 01b) are binary values. Numbers that are immediately followed by a lowercase "h" (e.g., 3Ah) are hexadecimal values.

### 3.2.5 Signal conventions

Signal names are shown in all uppercase letters.

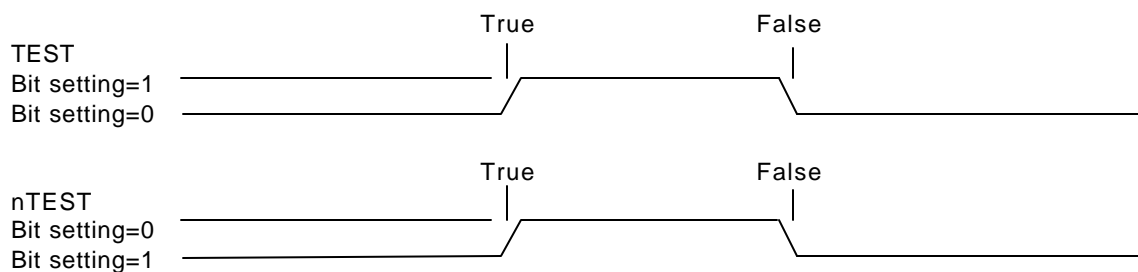
All signals are either high active or low active signals. A dash character (–) at the end of a signal name indicates the signal is a low active signal. A low active signal is true when the signal is below  $V_{IL}$ , and is false when the signal is above  $V_{IH}$ . No dash at the end of a signal name indicates the signal is a high active signal. A high active signal is true when the signal is above  $V_{IH}$ , and is false when the signal is below  $V_{IL}$ .

Asserted means that the signal is driven by an active circuit to the true state. Negated means that the signal is driven by an active circuit to the false state. Released means that the signal is not actively driven to any state (see 4.2.1). Some signals have bias circuitry that pull the signal to either a true state or false state when no signal driver is actively asserting or negating the signal.

Control signals that may be used for more than one mutually exclusive functions are identified with their function names separated by a colon (e.g., DIOW-:STOP).

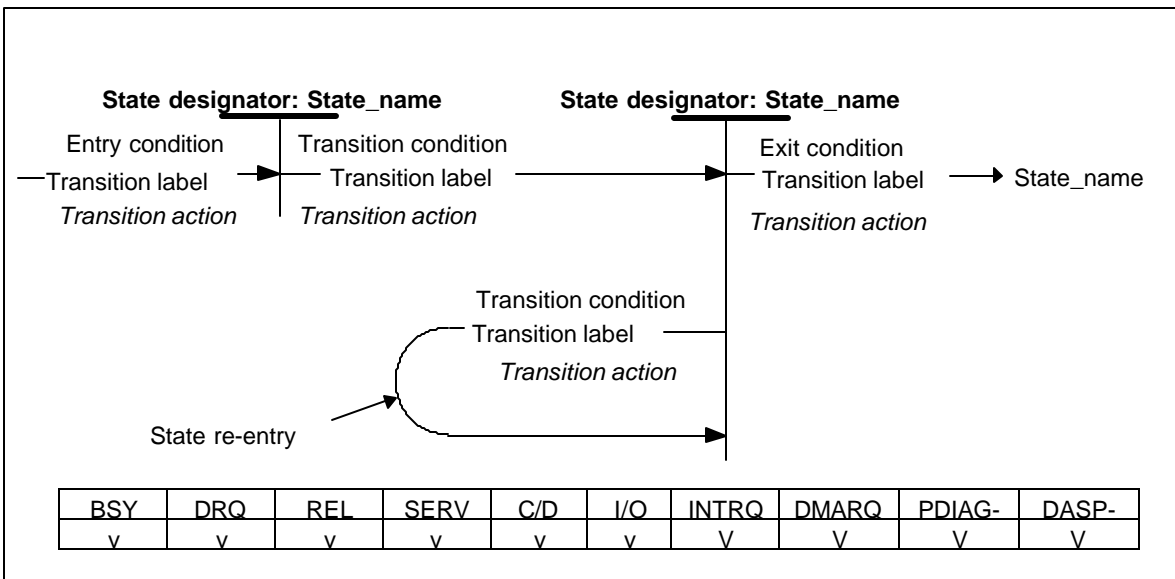
### 3.2.6 Bit conventions

Bit names are shown in all uppercase letters except where a lowercase n precedes a bit name. If there is no preceding n, then when BIT is set to one the meaning of the bit is true, and when BIT is cleared to zero the meaning of the bit is false. If there is a preceding n, then when nBIT is cleared to zero the meaning of the bit is true and when nBIT is set to one the meaning of the bit is false.



### 3.2.7 State diagram conventions

State diagrams shall be as shown in Figure 1.



**Figure 1 - State diagram convention**

Each state is identified by a state designator and a state name. The state designator is unique among all states in all state diagrams in this document. The state designator consists of a set of letters that are capitalized in the title of the figure containing the state diagram followed by a unique number. The state name is a brief description of the primary action taken during the state, and the same state name may appear in other state diagrams. If the same primary function occurs in other states in the same state diagram, they are designated with a unique letter at the end of the name. Additional actions may be taken while in a state and these actions are described in the state description text.

In device command protocol state diagrams, the state of bits and signals that change state during the execution of this state diagram are shown under the state designator:state\_name, and a table is included that shows the state of all bits and signals throughout the state diagram as follows:

- v = bit value changes.
- 1 = bit set to one.
- 0 = bit cleared to zero.
- x = bit is don't care.
- V = signal changes.
- A = signal is asserted.
- N = signal is negated.
- R = signal is released.
- X = signal is don't care.

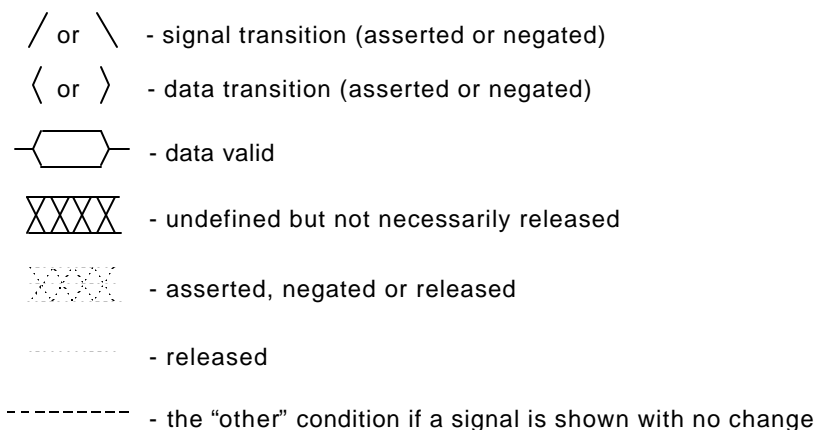
Each transition is identified by a transition label and a transition condition. The transition label consists of the state designator of the state from which the transition is being made followed by the state designator of the state to which the transition is being made. In some cases, the transition to enter or exit a state diagram may come from or go to a number of state diagrams, depending on the command being executed. In this case, the state designator is labeled xx. The transition condition is a brief description of the event or condition that causes the transition to occur and may include a transition action, indicated in italics, that is taken when the transition occurs. This action is described fully in the transition description text.

Upon entry to a state, all actions to be executed in that state are executed. If a state is re-entered from itself, all actions to be executed in the state are executed again.

It is assumed that all actions defined in a state are executed within the state and that transitions from state to state are instantaneous.

### 3.2.8 Timing conventions

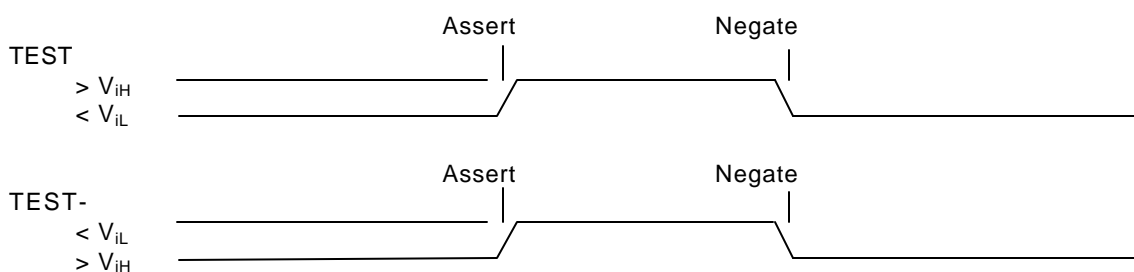
Certain symbols are used in the timing diagrams. These symbols and their respective definitions are listed below.



All signals are shown with the asserted condition facing to the top of the page. The negated condition is shown towards the bottom of the page relative to the asserted condition.

The interface uses a mixture of negative and positive signals for control and data. The terms asserted and negated are used for consistency and are independent of electrical characteristics.

In all timing diagrams, the lower line indicates negated, and the upper line indicates asserted. The following illustrates the representation of a signal named TEST going from negated to asserted and back to negated, based on the polarity of the signal.



### 3.2.9 Byte ordering for data transfers

Data is transferred in blocks using either PIO or DMA protocols. PIO data transfers occur when the BSY bit is cleared to zero and the DRQ bit is set to one. These transfers are usually 16-bit but CFA devices may implement 8-bit PIO transfers. Data is transferred in blocks of one or more bytes known as a DRQ block. DMA data transfers occur when the host asserts DMACK- in response to the device asserting DMARQ. DMA transfers are always 16-bit. Each assertion of DMACK- by the host defines a DMA data burst. A DMA data burst is two or more bytes.

Assuming a DRQ block or a DMA burst of data contains "n" bytes of information, the bytes are labeled Byte(0) through Byte(n-1), where Byte(0) is first byte of the block, and Byte(n-1) is the last byte of the block. Table 1 shows the order the bytes shall be presented in when such a block of data is transferred on the interface using

16-bit PIO and DMA transfers. Table 2 shows the order the bytes shall be presented in when such a block or burst of data is transferred on the interface using 8-bit PIO.

**Table 1 - Byte order**

|                 | DD<br>15   | DD<br>14 | DD<br>13 | DD<br>12 | DD<br>11 | DD<br>10 | DD<br>9 | DD<br>8 | DD<br>7    | DD<br>6 | DD<br>5 | DD<br>4 | DD<br>3 | DD<br>2 | DD<br>1 | DD<br>0 |
|-----------------|------------|----------|----------|----------|----------|----------|---------|---------|------------|---------|---------|---------|---------|---------|---------|---------|
| First transfer  | Byte (1)   |          |          |          |          |          |         |         | Byte (0)   |         |         |         |         |         |         |         |
| Second transfer | Byte (3)   |          |          |          |          |          |         |         | Byte (2)   |         |         |         |         |         |         |         |
| .....           |            |          |          |          |          |          |         |         |            |         |         |         |         |         |         |         |
| Last transfer   | Byte (n-1) |          |          |          |          |          |         |         | Byte (n-2) |         |         |         |         |         |         |         |

**Table 2 - Byte order**

|                 | DD<br>7    | DD<br>6 | DD<br>5 | DD<br>4 | DD<br>3 | DD<br>2 | DD<br>1 | DD<br>0 |
|-----------------|------------|---------|---------|---------|---------|---------|---------|---------|
| First transfer  | Byte (0)   |         |         |         |         |         |         |         |
| Second transfer | Byte (1)   |         |         |         |         |         |         |         |
| .....           |            |         |         |         |         |         |         |         |
| Last transfer   | Byte (n-1) |         |         |         |         |         |         |         |

NOTE – The above description is for data on the interface. Host systems and/or host adapters may cause the order of data as seen in the memory of the host to be different.

## 4 Interface physical and electrical requirements

Connectors and cables are documented in annex A.

### 4.1 Cable configuration

This standard defines an interface containing a single host or host adapter and one or two devices. One device is configured as Device 0 and the other device as Device 1.

The designation of a device as Device 0 or Device 1 may be made in a number of ways including but not limited to:

- a switch or a jumper on the device;
- use of the Cable Select (CSEL) pin.

The host shall be placed at one end of the cable. It is recommended that for a single device configuration the device be placed at the opposite end of the cable from the host. If a single device configuration is implemented with the device not at the end of the cable, a cable stub results that may cause degradation of signals. Single device configurations with the device not at the end of the cable shall not be used with Ultra DMA modes.

### 4.2 Electrical characteristics

Table 3 defines the DC characteristics of the interface signals. Table 4 defines the AC characteristics.



**Table 3 - DC characteristics**

| Description   |  | Min         | Max         |
|---|--|-------------|-------------|
| $I_{OL}$  | Driver sink current (see note 1)                           | 4 mA        |             |
| $I_{OLDASP}$  | Driver sink current for DASP (see note 1)                  | 12 mA       |             |
| $I_{OH}$  | Driver source current (see note 2)                         | 400 $\mu$ A |             |
| $I_{OHDMARQ}$   | Driver source current for DMARQ (see note 2)               | 500 $\mu$ A |             |
| $I_Z$   | Device pull up current on DD (15:0) and STROBE when high Z | -10 $\mu$ A | 200 $\mu$ A |
| $V_{IH}$  | Voltage input high   | 2.0 VDC     |             |
| $V_{IL}$  | Voltage input low  |             | 0.8 VDC     |
| $V_{OH}$  | Voltage output high at $I_{OH}$ min                        | 2.4 VDC     |             |
| $V_{OL}$  | Voltage output low at $I_{OL}$ min                         |             | 0.5 VDC     |
| NOTES –<br>1 $I_{OLDASP}$ shall be 12 mA minimum to meet legacy timing and signal integrity.<br>2 $I_{OH}$ value at 400 $\mu$ A is insufficient in the case of DMARQ that is pulled low by a 5.6 k $\Omega$ resistor. |  |             |             |

**Table 4 - AC characteristics**

| Description   |  | Min | Max       |
|---|--|-----|-----------|
| $S_{RISE}$  | Rising edge slew rate for any signal on AT interface (see note)  |     | 1.25 V/ns |
| $S_{FALL}$  | Falling edge slew rate for any signal on AT interface (see note) |     | 1.25 V/ns |
| $C_{host}$  | Host interface signal capacitance at the host connector          |     | 25 pf     |
| $C_{device}$  | Device interface signal capacitance at the device connector      |     | 20 pf     |
| NOTE – $S_{RISE}$ and $S_{FALL}$ shall meet this requirement when measured at the sender's connector from 10-90% of full signal amplitude with all capacitive loads from 15 pf through 40 pf where all signals have the same capacitive load value. |  |     |           |

#### 4.2.1 Driver types and required termination

**Table 5 - Driver types and required termination**

| Signal                     | Source | Driver type<br>(see note 1) | Host<br>(see note 2) | Device<br>(see note 2) | Notes   |
|----------------------------|--------|-----------------------------|----------------------|------------------------|---------|
| RESET-                     | Host   | TP                          |                      |                        |         |
| DD (15:0)                  | Bidir  | TS                          |                      |                        | 3       |
| DMARQ                      | Device | TS                          | 5.6 k $\Omega$ PD    |                        |         |
| DIOR-:HDMARDY-<br>:HSTROBE | Host   | TS                          |                      |                        |         |
| DIOW-:STOP                 | Host   | TS                          |                      |                        |         |
| IORDY:DDMARDY-<br>:DSTROBE | Device | TS                          | 1.0 k $\Omega$ PU    |                        | 6,10    |
| CSEL                       | Host   |                             | Ground               | 10 k $\Omega$ PU       | 4, 6    |
| DMACK-                     | Host   | TP                          |                      |                        |         |
| INTRQ                      | Device | TS                          | 10 k $\Omega$        |                        | 5       |
| DA (2:0)                   | Host   | TP                          |                      |                        |         |
| PDIAG-:CBLID-              | Device | TS                          |                      | 10 k $\Omega$ PU       | 2,6,7,8 |
| CS0- CS1-                  | Host   | TP                          |                      |                        |         |
| DASP-                      | Device | OC                          |                      | 10 k $\Omega$ PU       | 6,9     |

**NOTES –**

- 1 TS=Tri-state; OC=Open Collector; TP=Totem-pole; PU=Pull-up; PD=Pull-down.
- 2 All resistor values are the minimum (lowest allowed) except for the 10k $\Omega$  PU on PDIAG-:CBLID- which shall have a tolerance of  $\pm 5\%$  or less.
- 3 Devices shall not have a pull-up resistor on DD7. The host shall have a 10 k $\Omega$  pull-down resistor and not a pull-up resistor on DD7 to allow a host to recognize the absence of a device at power-up so that a host shall detect BSY as being cleared when attempting to read the Status register of a device that is not present.
- 4 When used as CSEL, this line is grounded at the Host and a 10 k $\Omega$  pull-up is required at both devices.
- 5 A 10 k $\Omega$  pull-down or pull-up, depending upon the level sensed, should be implemented at the host.
- 6 Pull-up values are based on +5 v Vcc.
- 7 Hosts that do not support Ultra DMA modes greater than mode 2 shall not connect to the PDIAG-:CBLID- signal.
- 8 The 80-conductor cable assembly shall meet the following requirements: the PDIAG-:CBLID- signal shall be connected to ground in the host connector of the cable assembly; the PDIAG-:CBLID- signal shall not be connected between the host and the devices; and, the PDIAG-:CBLID- signal shall be connected between the devices.
- 9 The host shall not drive DASP-. If the host connects to DASP- for any purpose, the host shall ensure that the signal level detected on the interface for DASP- shall maintain  $V_{OH}$  and  $V_{OL}$  compatibility, given the  $I_{OH}$  and  $I_{OL}$  requirements of the DASP- device drivers.
- 10 Values greater than 1 k $\Omega$  may improve noise margin.

#### 4.2.2 Electrical characteristics for Ultra DMA

Hosts that support Ultra DMA transfer modes greater than mode 2 shall not share signals between primary and secondary I/O ports. They shall provide separate drivers and separate receivers for each cable.

#### 4.2.2.1 Cable configuration

The following table defines the host transceiver configurations for a dual cable system configuration for all transfer modes.

| Transfer mode             | Optional host transceiver configuration   | Recommended host transceiver configuration  | Mandatory host transceiver configuration   |
|---------------------------|---|---|--|
| All PIO and Multiword DMA | One transceiver may be used for signals to both ports   | DIOR-, DIOW- and IORDY should have a separate transceiver for each port.                        | Either DIOR-, DIOW- and IORDY or CS0- and CS1- shall have a separate transceiver for each port.  |
| Ultra DMA 0, 1, 2         | One transceiver may be used for signals to both ports except DMACK-                                     | DIOR-, DIOW- and IORDY should have a separate transceiver for each port.                        | Either DIOR-, DIOW- and IORDY or CS0- and CS1- shall have a separate transceiver for each port. DMACK- shall have a separate transceiver for each port |
| Ultra DMA 3, 4            | One transceiver may be used for signals to both ports for RESET-, INTRQ, DA(2:0), CS0-, CS1-, and DASP- | RESET-, INTRQ, DA(2:0), CS0-, CS1-, and DASP- should have a separate transceiver for each port. | All signals shall have a separate transceiver for each port except for RESET-, INTRQ, DA(2:0), CS0-, CS1-, and DASP-                                   |

The following table defines the system configuration for connection between devices and systems for all transfer modes.

| Transfer mode  | Single device direct connection configuration (see note 1) | 40-conductor cable connection configuration (see note 2) | 80-conductor cable connection configuration (see note 2) |
|--|--|--|--|
| All PIO and Multiword DMA  | May be used.   | May be used.   | May be used (see note 3)                                 |
| Ultra DMA 0, 1, 2  | May be used.   | May be used.   | May be used (see note 3)                                 |
| Ultra DMA 3, 4   | May be used (see note 4).                                  | Shall not be used.                                       | May be used (see note 4).                                |
| NOTES –<br>1 Direct connection is a direct point-to-point connection between the host connector and the device connector.<br>2 The 40-conductor cable assembly and the 80-conductor cable assembly are defined in Annex A.<br>3 80-conductor cable assemblies may be used in place of 40-conductor cable assemblies to improve signal quality for data transfer modes that do not require an 80-conductor cable assembly.<br>4 Either a single device direct connection configuration or an 80-conductor cable connection configuration shall be used for systems operating with Ultra DMA modes greater than 2. |  |  |  |

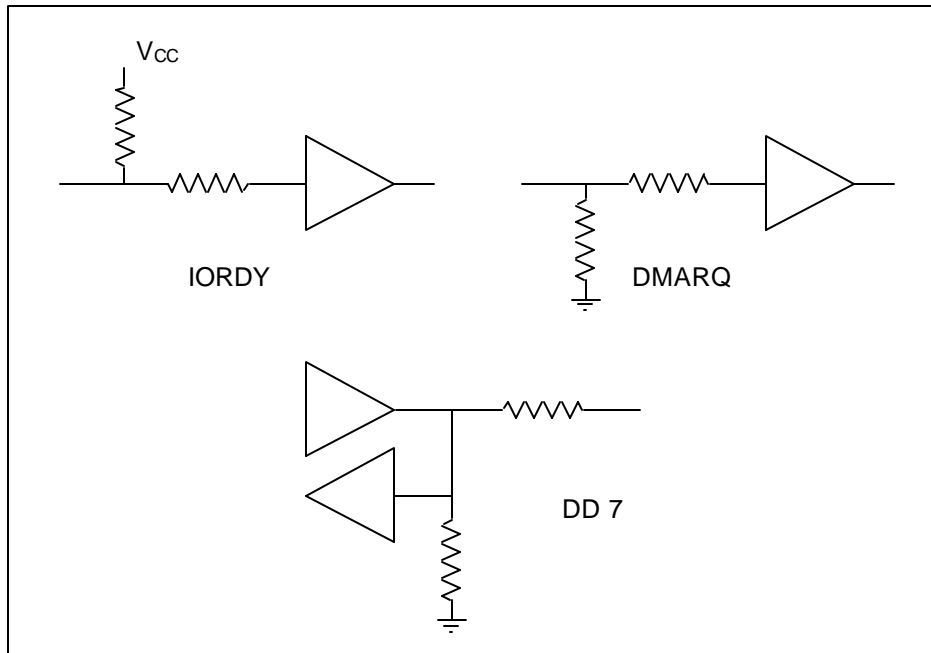
#### 4.2.2.2 Series termination required for Ultra DMA

Series termination resistors are required at both the host and the device for operation in any of the Ultra DMA modes. Table 6 describes typical values for series termination at the host and the device.

**Table 6 - Typical series termination for Ultra DMA**

| Signal                 | Host Termination | Device Termination |
|------------------------|------------------|--------------------|
| DIOR-:HDMARDY-:HSTROBE | 22 ohm           | 82 ohm             |
| DIOW-:STOP             | 22 ohm           | 82 ohm             |
| CS0-, CS1-             | 33 ohm           | 82 ohm             |
| DA0, DA1, DA2          | 33 ohm           | 82 ohm             |
| DMACK-                 | 22 ohm           | 82 ohm             |
| DD15 through DD0       | 33 ohm           | 33 ohm             |
| DMARQ                  | 82 ohm           | 22 ohm             |
| INTRQ                  | 82 ohm           | 22 ohm             |
| IORDY:DDMARDY-:DSTROBE | 82 ohm           | 22 ohm             |
| RESET-                 | 33 ohm           | 82 ohm             |

NOTE – Only those signals requiring termination are listed in this table. If a signal is not listed, series termination is not required for operation in an Ultra DMA mode. Figure 2 shows signals also requiring a pull-up or pull-down resistor at the host. The actual termination values should be selected to compensate for transceiver and trace impedance to match the characteristic cable impedance.



**Figure 2 - Ultra DMA termination with pull-up or pull-down**

## 5 Interface signal assignments and descriptions

### 5.1 Signal summary

The physical interface consists of receivers and drivers communicating through a set of conductors using an asynchronous interface protocol. Table 7 defines the signal names. For connector descriptions see annex A. For driver and termination definition see 4.2.1. For signal protocol and timing see clause 9 and clause 10.

Table 7 - Interface signal name assignments

| Description   | Host       | Dir | Dev | Acronym  |
|---|------------|-----|-----|----------|
| Cable select  | (see note) |     |     | CSEL     |
| Chip select 0   |            |     | →   | CS0-     |
| Chip select 1   |            |     | →   | CS1-     |
| Data bus bit 0  |            | ↔   |     | DD0      |
| Data bus bit 1  |            | ↔   |     | DD1      |
| Data bus bit 2  |            | ↔   |     | DD2      |
| Data bus bit 3  |            | ↔   |     | DD3      |
| Data bus bit 4  |            | ↔   |     | DD4      |
| Data bus bit 5  |            | ↔   |     | DD5      |
| Data bus bit 6  |            | ↔   |     | DD6      |
| Data bus bit 7  |            | ↔   |     | DD7      |
| Data bus bit 8  |            | ↔   |     | DD8      |
| Data bus bit 9  |            | ↔   |     | DD9      |
| Data bus bit 10   |            | ↔   |     | DD10     |
| Data bus bit 11   |            | ↔   |     | DD11     |
| Data bus bit 12   |            | ↔   |     | DD12     |
| Data bus bit 13   |            | ↔   |     | DD13     |
| Data bus bit 14   |            | ↔   |     | DD14     |
| Data bus bit 15   |            | ↔   |     | DD15     |
| Device active or slave (Device 1) present   | (see note) |     |     | DASP-    |
| Device address bit 0  |            |     | →   | DA0      |
| Device address bit 1  |            |     | →   | DA1      |
| Device address bit 2  |            |     | →   | DA2      |
| DMA acknowledge   |            |     | →   | DMACK-   |
| DMA request   | ←          |     |     | DMARQ    |
| Interrupt request   | ←          |     |     | INTRQ    |
| I/O read  |            |     | →   | DIOR-    |
| DMA ready during Ultra DMA data-in bursts   |            |     | →   | HDMARDY- |
| Data strobe during Ultra DMA data-out bursts  |            |     | →   | HSTROBE  |
| I/O ready   | ←          |     |     | IORDY    |
| DMA ready during Ultra DMA data-out bursts  | ←          |     |     | DDMARDY- |
| Data strobe during Ultra DMA data-in bursts   | ←          |     |     | DSTROBE  |
| I/O write   |            |     | →   | DIOW-    |
| Stop during Ultra DMA data bursts   |            |     | →   | STOP     |
| Passed diagnostics  | (see note) |     |     | PDIAG-   |
| Cable assembly type identifier  | (see note) |     |     | CBLID-   |
| Reset   |            |     | →   | RESET-   |
| NOTE – See signal descriptions and annex A for information on source of these signals |            |     |     |          |

## 5.2 Signal descriptions

### 5.2.1 CS (1:0)- (Chip select)

These are the chip select signals from the host used to select the Command Block or Control Block registers (see 7.2). When DMACK- is asserted, CS0- and CS1- shall be negated and transfers shall be 16 bits wide.

### 5.2.2 DA (2:0) (Device address)

This is the 3-bit binary coded address asserted by the host to access a register or data port in the device (see 7.2).

### 5.2.3 DASP- (Device active, device 1 present)

This is a time-multiplexed signal that indicates that a device is active, or that Device 1 is present.

NOTE – The indication that the device is active may be unsynchronized with the execution of the command.

### 5.2.4 DD (15:0) (Device data)

This is an 8- or 16-bit bi-directional data interface between the host and the device. The lower 8 bits are used for 8-bit register transfers. Data transfers are 16-bits wide except for CFA device that implement 8-bit data transfers.

### 5.2.5 DIOR-:HDMARDY-:HSTROBE (Device I/O read:Ultra DMA ready:Ultra DMA data strobe)

DIOR- is the strobe signal asserted by the host to read device registers or the Data port.

HDMARDY- is a flow control signal for Ultra DMA data-in bursts. This signal is asserted by the host to indicate to the device that the host is ready to receive Ultra DMA data-in bursts. The host may negate HDMARDY- to pause an Ultra DMA data-in burst.

HSTROBE is the data-out strobe signal from the host for an Ultra DMA data-out burst. Both the rising and falling edge of HSTROBE latch the data from DD(15:0) into the device. The host may stop generating HSTROBE edges to pause an Ultra DMA data-out burst.

### 5.2.6 DIOW-:STOP (Device I/O write:Stop Ultra DMA burst)

DIOW- is the strobe signal asserted by the host to write device registers or the Data port

DIOW- shall be negated by the host prior to initiation of an Ultra DMA burst. STOP shall be negated by the host before data is transferred in an Ultra DMA burst. Assertion of STOP by the host during an Ultra DMA burst signals the termination of the Ultra DMA burst.

### 5.2.7 DMACK- (DMA acknowledge)

This signal shall be used by the host in response to DMARQ to initiate DMA transfers.

### 5.2.8 DMARQ (DMA request)

This signal, used for DMA data transfers between host and device, shall be asserted by the device when the device is ready to transfer data to or from the host. For Multitword DMA transfers, the direction of data transfer is controlled by DIOR- and DIOW-. This signal is used in a handshake manner with DMACK-, i.e., the device

shall wait until the host asserts DMACK- before negating DMARQ, and re-asserting DMARQ if there is more data to transfer.

When a DMA operation is enabled, CS0- and CS1- shall not be asserted and transfers shall be 16 bits wide.

This signal shall be released when the device is not selected.

### **5.2.9 INTRQ (Device interrupt)**

This signal is used by the selected device to interrupt the host system when interrupt pending is set. When the nIEN bit is cleared to zero and the device is selected, INTRQ shall be enabled through a tri-state buffer. When the nIEN bit is set to one or the device is not selected, the INTRQ signal shall be released.

When asserted, this signal shall be negated by the device within 400 ns of the negation of DIOR- that reads the Status register to clear interrupt pending. When asserted, this signal shall be negated by the device within 400 ns of the negation of DIOW- that writes the Command register to clear interrupt pending.

When the device is selected by writing to the Device/Head register while interrupt pending is set, INTRQ shall be asserted within 400 ns of the negation of DIOW- that writes the Device/Head register. When the device is deselected by writing to the Device/Head register while interrupt pending is set, INTRQ shall be released within 400 ns of the negation of DIOW- that writes the Device/Head register.

For devices implementing the Overlapped feature set, if INTRQ assertion is being disabled using nIEN at the same instant that the device asserts INTRQ, the minimum pulse width shall be at least 40 ns.

This signal shall be released when the device is not selected.

### **5.2.10 IORDY:DDMARDY-:DSTROBE (I/O channel ready:Ultra DMA ready:Ultra DMA data strobe)**

This signal is negated to extend the host transfer cycle of any host register access (read or write) when the device is not ready to respond to a data transfer request.

If the device requires that the host transfer cycle time be extended for PIO modes 3 and above, the device shall utilize IORDY. Hosts that use PIO modes 3 and above shall support IORDY.

DDMARDY- is a flow control signal for Ultra DMA data-out bursts. This signal is asserted by the device to indicate to the host that the device is ready to receive Ultra DMA data-out bursts. The device may negate DDMARDY- to pause an Ultra DMA data-out burst.

DSTROBE is the data-in strobe signal from the device for an Ultra DMA data-in burst. Both the rising and falling edge of DSTROBE latch the data from DD(15:0) into the host. The device may stop generating DSTROBE edges to pause an Ultra DMA data-in burst.

This signal shall be released when the device is not selected.

### **5.2.11 PDIAG-:CBLID- (Passed diagnostics:Cable assembly type identifier)**

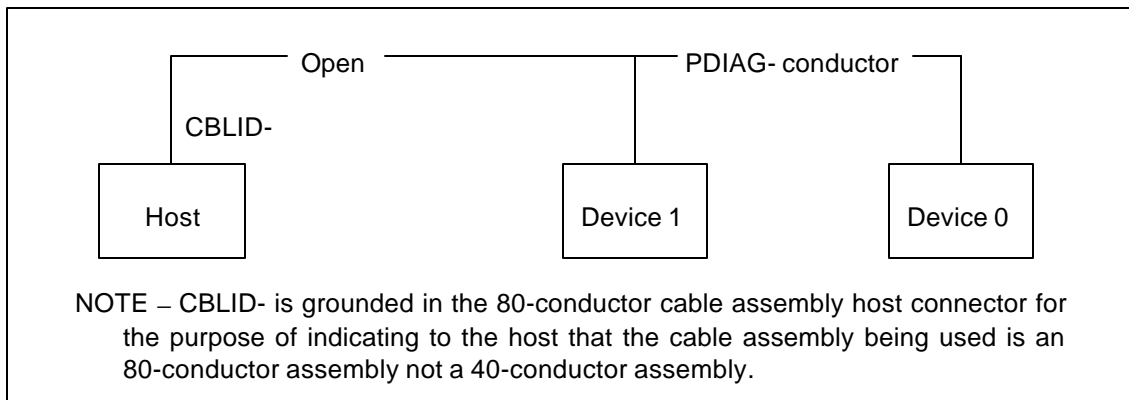
PDIAG- shall be asserted by Device 1 to indicate to Device 0 that Device 1 has completed diagnostics (see clause 9).

The host may sample CBLID- after a power-on or hardware reset in order to detect the presence or absence of an 80-conductor cable assembly by performing the following steps:

- a) The host shall wait until the power-on or hardware reset protocol is complete for all devices on the cable;
- b) If Device 1 is present, the host should issue IDENTIFY DEVICE or IDENTIFY PACKET DEVICE and use the returned data to determine that Device 1 is compliant with ATA-3 or subsequent standards. Any device compliant with ATA-3 or subsequent standards releases PDIAG- no later than after the first command following a power-on or hardware reset sequence.

NOTE – Older devices not in compliance with ATA-3 or subsequent standards may continue to assert this signal providing a false indication of the cable type. Issuing IDENTIFY DEVICE or IDENTIFY PACKET DEVICE not only provides the host with the information required to verify that the devices are compliant with these standards, but also provides a command resulting in the release of this signal.

If the host detects that CBLID- is connected to ground, an 80-conductor cable assembly is installed in the system. If the host detects that this signal is not connected to ground, an 80-conductor cable assembly is not installed in the system. See Annex B for a description of the non-standard device determination of cable type.



**Figure 3 - PDIAG- example using an 80-conductor cable assembly**

### 5.2.12 RESET- (Hardware reset)

This signal, referred to as hardware reset, shall be used by the host to reset the device (see 9.1).

### 5.2.13 CSEL (Cable select)

The device is configured as either Device 0 or Device 1 depending upon the value of CSEL:

- If CSEL is negated, the device number is 0;
- If CSEL is asserted, the device number is 1.

The state of this signal may be sampled at any time by the device to detect that the device is configured as Device 0 or Device 1.



### 5.2.13.1 CSEL with 40-conductor cable

Special cabling may be used to selectively ground CSEL. CSEL of Device 0 is connected to the CSEL conductor in the cable, and is grounded, thus allowing the device to recognize itself as Device 0. CSEL of Device 1 is not connected to CSEL because the conductor is removed, thus the device recognizes itself as Device 1. It should be recognized that if a single device is configured at the end of the cable using CSEL, a device 1 only configuration results. See Figure 4 and Figure 5.

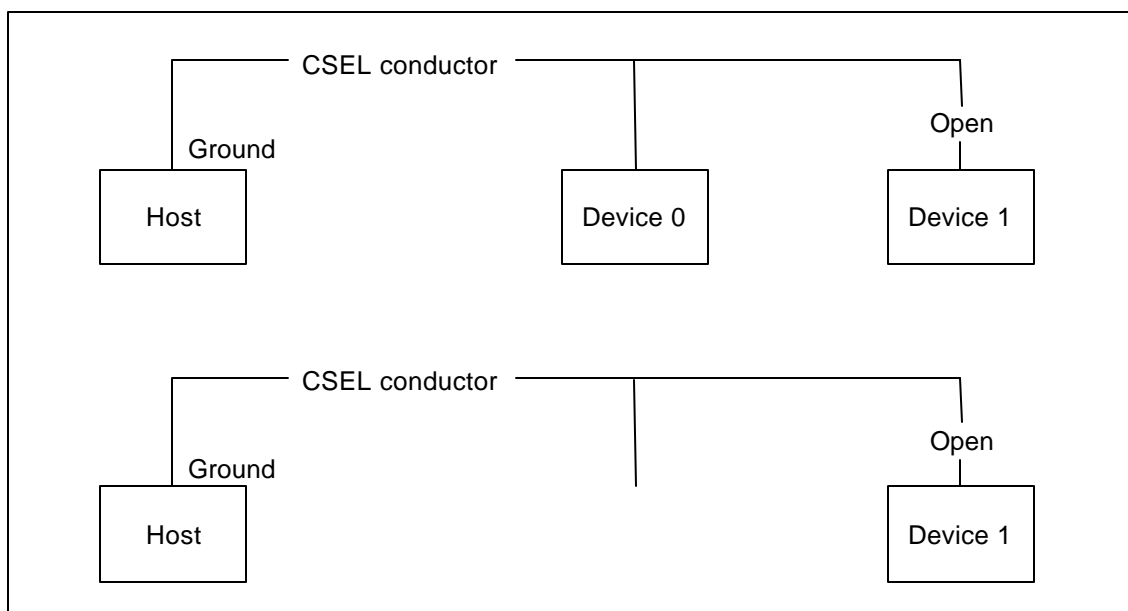


Figure 4 - Cable select example

### 5.2.13.2 CSEL with 80-conductor cable

For designated cable assemblies (including all 80-conductor cable assemblies): these assemblies are constructed so that CSEL is connected from the host connector to the connector at the opposite end of the cable from the host (see Figure 5). Therefore, Device 0 shall be at the opposite end of the cable from the host. Single device configurations with the device not at the end of the cable shall not be used with Ultra DMA modes.

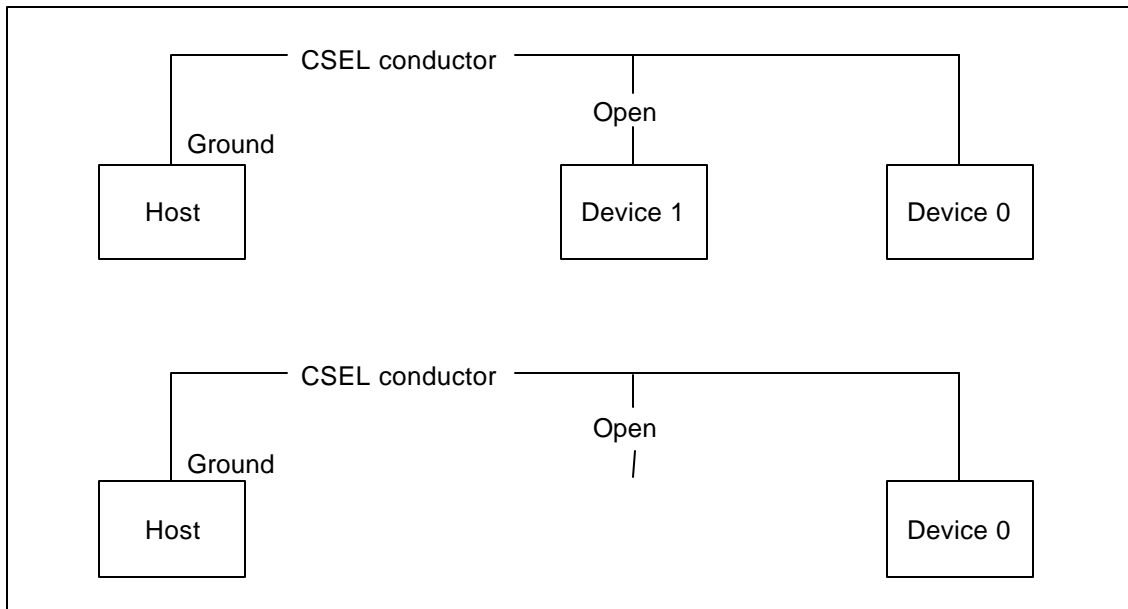


Figure 5 - Alternate cable select example

## 6 General operational requirements

### 6.1 Command delivery

Commands may be delivered in two forms. For devices that do not implement the PACKET Command feature set, all commands and command parameters are delivered by writing the device Command Block registers. Such commands are defined as register delivered commands.

Devices that implement the PACKET Command feature set utilize packet delivered commands as well as some register delivered commands.

All register delivered commands and the PACKET command are described in clause 8.

NOTE – The content of command packets delivered during execution of the PACKET command are not described in this standard.

### 6.2 Register delivered data transfer command sector addressing

For register delivered data transfer commands all addressing of data sectors recorded on the device's media is by a logical sector address. There is no implied relationship between logical sector addresses and the actual physical location of the data sector on the media.

Devices shall support translations as described below:

- All devices shall support LBA translation.
- If the device's capacity is greater than or equal to one sector and less than or equal to 16,514,064 sectors, then the device shall support CHS translation.
- If the device's capacity is greater than 16,514,064 sectors, the device may support CHS translation.
- If a device supports CHS translation, then, following a power-on or hardware reset, the CHS translation enabled by the device shall be the default translation.
- If a device supports CHS translation, a device may allow a host to use the INITIALIZE DEVICE PARAMETERS command to select other CHS translations.

- If a device supports CHS translation, IDENTIFY DEVICE words 1,3, and 6 shall describe the default translation, and words 53-58 shall describe the current translation.

A CHS address is made up of three fields: the sector number, the head number, and the cylinder number. Sectors are numbered from 1 to the maximum value allowed by the current CHS translation but shall not exceed 255. Heads are numbered from 0 to the maximum value allowed by the current CHS translation but shall not exceed 15. Cylinders are numbered from 0 to the maximum value allowed by the current CHS translation but shall not exceed 65,535.

When the host selects a CHS translation using the INITIALIZE DEVICE PARAMETERS command, the host requests the number of sectors per logical track and the number of heads per logical cylinder. The device then computes the number of logical cylinders available in the requested translation.

A device shall not change the addressing method specified by the command and shall return status information utilizing the addressing method specified for the command.

- 1) The host may select either the currently selected CHS translation addressing or LBA addressing on a command-by-command basis by using the LBA bit in the Device/Head register;
- 2) The device shall support LBA addressing for all media access commands;
- 3) Logical sectors on the device shall be linearly mapped with the first LBA addressed sector (sector 0) being the same sector as the first logical CHS addressed sector (cylinder 0, head 0, sector 1). Irrespective of the logical CHS translation currently in effect, the LBA address of a given logical sector does not change. The following is always true for LBA numbers less than or equal to 16,514,064 for devices supporting the current CHS translation:

$$\text{LBA} = (((\text{cylinder\_number} * \text{heads\_per\_cylinder}) + \text{head\_number}) * \text{sectors\_per\_track}) + \text{sector\_number} - 1$$

Where: heads\_per\_cylinder and sectors\_per\_track are the current translation values.  
cylinder\_number, sector\_number, and head\_number are the values placed in the Cylinder High, Cylinder Low, Sector Number, and Device/Head registers.

### 6.2.1 Definitions and value ranges of IDENTIFY DEVICE words (see 8.12)

- 1) Word 1 shall contain the number of user-addressable logical cylinders in the default CHS translation. If the content of words (61:60) is less than 16,514,064 then the content of word 1 shall be greater than or equal to one and less than or equal to 65,535. If the content of words (61:60) is greater than or equal to 16,514,064 then the content of word 1 shall be equal to 16,383.
- 2) Word 3 shall contain the number of user-addressable logical heads in the default CHS translation. The content of word 3 shall be greater than or equal to one and less than or equal to 16. For compatibility with some BIOSs, the content of word 3 may be equal to 15 if the content of word 1 is greater than 8192.
- 3) Word 6 shall contain the number of user-addressable logical sectors in the default CHS translation. The content of word 6 shall be greater than or equal to one and less than or equal to 63.
- 4) [(The content of word 1) \* (the content of word 3) \* (the content of word 6)] shall be less than or equal to 16,514,064.
- 5) Word 54 shall contain the number of user-addressable logical cylinders in the current CHS translation. The content of word 54 shall be greater than or equal to one and less than or equal to 65,535. After power-on or after a hardware reset the content of word 54 shall be equal to the content of word 1.
- 6) Word 55 shall contain the number of user-addressable logical heads in the current CHS translation. The content of word 55 shall be greater than or equal to one and less than or equal to 16. After power-on or after a hardware reset the content of word 55 shall be equal to the content of word 3.
- 7) Word 56 shall contain the number of user-addressable logical sectors in the current CHS translation. The content of word 56 should be equal to 63 for compatibility with all BIOSs.

However, the content of word 56 may be greater than or equal to one and less than or equal to 255. At power-on or after a hardware reset the content of word 56 shall equal the content of word 6.

- 8) Words (58:57) shall contain the user-addressable capacity in sectors for the current CHS translation. The content of words (58:57) shall equal  $[(\text{the content of word 54}) * (\text{the content of word 55}) * (\text{the content of word 56})]$ . The content of words (58:57) shall be less than or equal to 16,514,064. The content of words (58:57) shall be less than or equal to the content of words (61:60).
- 9) The content of words 54, 55, 56, and (58:57) may be affected by the host issuing an INITIALIZE DEVICE PARAMETERS command (see 8.16).
- 10) If the content of words (61:60) is greater than 16,514,064 and if the device does not support CHS addressing, then the content of words 1, 3, 6, 54, 55, 56, and (58:57) shall equal zero. If the content of word 1, word 3, or word 6 equals zero, then the content of words 1, 3, 6, 54, 55, 56, and (58:57) shall equal zero.
- 11) Words (61:60) shall contain the total number of user-addressable sectors. The content of words (61:60) shall be greater than or equal to one and less than or equal to 268,435,456.
- 12) The content of words 1, 54, (58:57), and (61:60) may be affected by the host issuing a SET MAX ADDRESS command (see 8.38).

### 6.2.2 Addressing constraints and error reporting

- 1) Devices may access any address in the current CHS translation if  $[(\text{the requested cylinder} + 1) * (\text{the requested head} + 1) * (\text{the requested sector})]$  is less than or equal to the content of words (61:60).
- 2) Devices shall set IDNF to one or ABRT to one in the Error register and ERR to one in the Status register in response to any command with a CHS address request where one or more of the following are true:
  - a) The requested cylinder value is greater than  $[(\text{the content of word 54}) - 1]$
  - b) The requested head value is greater than  $[(\text{the content of word 55}) - 1]$
  - c) The requested sector value is zero or greater than the content of word 56
- 3) Devices shall sets IDNF to one or ABRT to one in the Error register and ERR to one in the Status register in response to any command with an LBA address request where the requested LBA number is greater than or equal to the content of words (61:60).

## 6.3 Interrupts

INTRQ is used by the selected device to notify the host of an event. The device internal interrupt pending state is set when such an event occurs. If nIEN is cleared to zero, INTRQ is asserted (see 5.2.9).

The device shall enter the interrupt pending state when:

- 1) any command except a PIO data-in command reaches command completion successfully;
- 2) any command reaches command completion with error;
- 3) the device is ready to send a data block during a PIO data-in command;
- 4) the device is ready to accept a data block after the first data block during a PIO data-out command;
- 5) a device implementing the PACKET Command feature set is ready to receive the command packet and bits 6-5 in word 0 of the IDENTIFY PACKET DEVICE response have the value 01b;
- 6) a device implementing the PACKET Command feature set is ready to transfer a DRQ data block during a PIO transfer;
- 7) a device implementing the Overlap feature set performs a bus release if the Bus release interrupt is enabled;
- 8) a device implementing the Overlap feature set has performed a Bus release and is now ready to continue the command execution;
- 9) a device implementing the Overlap feature set is ready to transfer data after a SERVICE command if the Service interrupt is enabled;

- 10) Device 0 completes an EXECUTE DEVICE DIAGNOSTIC command. Device 1 shall not enter the interrupt pending state when completing an EXECUTE DEVICE DIAGNOSTIC command.

The device shall not exit the interrupt pending state as a result of the host changing the state of the DEV bit..

The device shall exit the interrupt pending state when:

- 1) the device is selected, BSY is cleared to zero, and the Status register is read;
- 2) the device is selected, both BSY and DRQ are cleared to zero, and the Command register is written;
- 3) the RESET- signal is asserted;
- 4) the SRST bit is set to one.

## 6.4 General feature set

The General feature set defines the common commands implemented by devices.

### 6.4.1 General feature set for devices not implementing the PACKET command feature set

The following General feature set commands are mandatory for all devices that are capable of both reading and writing their media and do not implementing the PACKET command feature set:

- EXECUTE DEVICE DIAGNOSTIC
- FLUSH CACHE
- IDENTIFY DEVICE
- INITIALIZE DEVICE PARAMETERS
- READ DMA
- READ MULTIPLE
- READ SECTOR(S)
- READ VERIFY SECTOR(S)
- SEEK
- SET FEATURES
- SET MULTIPLE MODE
- WRITE DMA
- WRITE MULTIPLE
- WRITE SECTOR(S)

The following General feature set commands are mandatory for all devices that are capable of only reading their media and do not implementing the PACKET command feature set:

- EXECUTE DEVICE DIAGNOSTIC
- IDENTIFY DEVICE
- INITIALIZE DEVICE PARAMETERS
- READ DMA
- READ MULTIPLE
- READ SECTOR(S)
- READ VERIFY SECTOR(S)
- SEEK
- SET FEATURES
- SET MULTIPLE MODE

The following General feature set commands are optional for devices not implementing the PACKET command feature set:

- DOWNLOAD MICROCODE
- NOP
- READ BUFFER
- WRITE BUFFER

The following General feature set command is prohibited for use by devices not implementing the PACKET command feature set:

- DEVICE RESET

The following resets are mandatory for devices not implementing the PACKET command feature set:

- Power-on reset: Executed at power-on, the device executes a series of electrical circuitry diagnostics, spins up the HDA, tests speed and other mechanical parametrics, and sets default values (see 9.1).
- Hardware reset: Executed in response to the assertion of the RESET- signal the device executes a series of electrical circuitry diagnostics, and resets to default values (see 9.1).
- Software reset: Executed in response to the setting of the SRST bit in the Device Control register the device resets the interface circuitry (see 9.2).

#### **6.4.2 General feature set for devices implementing the PACKET command feature set**

The following General feature set commands are mandatory for all devices implementing the PACKET command feature set:

- DEVICE RESET
- EXECUTE DEVICE DIAGNOSTIC
- FLUSH CACHE
- IDENTIFY DEVICE
- IDENTIFY PACKET DEVICE
- NOP
- PACKET
- READ SECTOR(S)
- SET FEATURES

The following General command set commands are prohibited for use by devices implementing the PACKET command feature set.

- DOWNLOAD MICROCODE
- INITIALIZE DEVICE PARAMETERS
- READ BUFFER
- READ DMA
- READ MULTIPLE
- READ VERIFY
- SEEK
- SET MULTIPLE MODE
- WRITE BUFFER
- WRITE DMA
- WRITE MULTIPLE
- WRITE SECTOR(S)

The following resets are mandatory for devices implementing the PACKET command feature set:

- Power-on reset: Executed at power-on, the device executes a series of electrical circuitry diagnostics, spins up the HDA, tests speed and other mechanical parametrics, and sets default values (see 9.1).
- Hardware reset: Executed in response to the assertion of the RESET- signal the device executes a series of electrical circuitry diagnostics, and resets to default values (see 9.1).
- Software reset: Executed in response to the setting of the SRST bit in the Device Control register the device resets the interface circuitry (see 9.2).

- **DEVICE RESET:** Executed in response to the **DEVICE RESET** command the device resets the interface circuitry (see 8.7).

## 6.5 Multiword DMA

Multiword DMA is a data transfer protocol used with the **READ DMA**, **WRITE DMA**, **READ DMA QUEUED**, **WRITE DMA QUEUED**, and **PACKET** commands. When a Multiword DMA transfer is enabled as indicated by **IDENTIFY DEVICE** (see 8.12) or **IDENTIFY PACKET DEVICE** (see 8.13) data, this data transfer protocol shall be used for the data transfers associated with these commands. DMA transfer modes may be changed using the **SET FEATURES 03h** subcommand (see 8.37.11). Signal timing for this protocol is described in 10.2.3.

The **DMARQ** and **DMACK-** signals are used to signify when a Multiword DMA transfer is to be executed. The **DMARQ** and **DMACK-** signals are also used to control the data flow of a Multiword DMA data transfer.

When a device is ready to transfer data associated with a Multiword DMA transfer, the device shall assert **DMARQ**. The host shall then respond by negating **CS0-** and **CS1-**, asserting **DMACK-**, and begin the data transfer by asserting, then negating, **DIOW-** or **DIOR-** for each word transferred. **CS0-** and **CS1-** shall remain negated as long as **DMACK-** is asserted. The host shall not assert **DMACK-** until **DMARQ** has been asserted by the device. The host shall initiate DMA read or write cycles only when both **DMARQ** and **DMACK-** are asserted. Having asserted **DMARQ** and **DMACK-**, these signals shall remain asserted until at least one word of data has been transferred.

The device may pause the transfer for flow control purposes by negating **DMARQ**. The host shall negate **DMACK-** in response to the negation of **DMARQ**. The device may then reassert **DMARQ** to continue the data transfer when the device is ready to transfer more data and **DMACK-** has been negated by the host.

The host may pause the transfer for flow control purposes by either pausing the assertion of **DIOW-** or **DIOR-** pulses or by negating **DMACK-**. The device may leave **DMARQ** asserted if **DMACK-** is negated. The host may then reassert **DMACK-** when **DMARQ** is asserted and begin asserting **DIOW-** or **DIOR-** pulses to continue the data transfer.

When the Multiword DMA data transfer is complete, the device shall negate **DMARQ** and the host shall negate **DMACK-** in response.

**DMARQ** shall be driven from the first assertion at the beginning of a DMA transfer until the negation after the last word is transferred. This signal shall be released at all other times.

If the device detects an error before data transfer for the command is complete, the device may complete the data transfer or may terminate the data transfer before completion and shall report the error in either case.

**NOTE** – If a data transfer is terminated before completion, the assertion of **INTRQ** should be passed through to the host software driver regardless of whether all data requested by the command has been transferred.

## 6.6 Ultra DMA feature set

### 6.6.1 Overview

Ultra DMA is a data transfer protocol used with the **READ DMA**, **WRITE DMA**, **READ DMA QUEUED**, **WRITE DMA QUEUED**, and **PACKET** commands. When this protocol is enabled, the Ultra DMA protocol shall be used instead of the Multiword DMA protocol when these commands are issued by the host. This protocol applies to the Ultra DMA data burst only. When this protocol is used there are no changes to other elements of the ATA protocol (e.g., Command Block Register access).

Several signal lines are redefined to provide different functions during an Ultra DMA burst. These lines assume these definitions when:

- 1) an Ultra DMA mode is selected, and
- 2) a host issues a READ DMA, WRITE DMA, READ DMA QUEUED, WRITE DMA QUEUED, or a PACKET command requiring data transfer, and
- 3) the host asserts DMACK-.

These signal lines revert back to the definitions used for non-Ultra DMA transfers upon the negation of DMACK- by the host at the termination of an Ultra DMA burst. All of the control signals are unidirectional. DMARQ and DMACK- retain their standard definitions.

With the Ultra DMA protocol, the control signal (STROBE) that latches data from DD(15:0) is generated by the same agent (either host or device) that drives the data onto the bus. Ownership of DD(15:0) and this data strobe signal are given either to the device during an Ultra DMA data-in burst or to the host for an Ultra DMA data-out burst.

During an Ultra DMA burst a sender shall always drive data onto the bus, and, after a sufficient time to allow for propagation delay, cable settling, and setup time, the sender shall generate a STROBE edge to latch the data. Both edges of STROBE are used for data transfers so that the frequency of STROBE is limited to the maximum frequency of the data. The highest fundamental frequency on the cable shall be 16.67 MHz which equates to 33.33 million transitions per second for any signal.

Words in the IDENTIFY DEVICE data indicate support of the Ultra DMA feature and the Ultra DMA modes the device is capable of supporting. The Set transfer mode subcommand in the SET FEATURES command shall be used by a host to select the Ultra DMA mode that the device shall use. The Ultra DMA mode selected by a host shall be less than or equal to the fastest mode that the device supports. Only one Ultra DMA mode shall be selected at any given time. All timing requirements for a selected Ultra DMA mode shall be satisfied. Devices supporting Ultra DMA mode 4 shall also support Ultra DMA modes 3, 2, 1, and 0. Devices supporting Ultra DMA mode 3 shall also support ultra DMA modes 2, 1, and 0. Devices supporting Ultra DMA mode 2 shall also support Ultra DMA modes 0 and 1. Devices supporting Ultra DMA mode 1 shall also support Ultra DMA mode 0. Hosts supporting Ultra DMA may support any combination of modes.

An Ultra DMA capable device shall retain the previously selected Ultra DMA mode after executing a software reset sequence or the sequence caused by receipt of a DEVICE RESET command. An Ultra DMA capable device shall clear any previously selected Ultra DMA mode and revert to the default non-Ultra DMA modes after executing a power-on or hardware reset.

Both the host and device perform a CRC function during an Ultra DMA burst. At the end of an Ultra DMA burst the host sends its CRC data to the device. The device compares its CRC data to the data sent from the host. If the two values do not match, the device reports an error in the error register. If an error occurs during one or more Ultra DMA bursts for any one command, the device shall report the first error that occurred. If the device detects that a CRC error has occurred before data transfer for the command is complete, the device may complete the transfer and report the error or abort the command and report the error.

NOTE – If a data transfer is terminated before completion, the assertion of INTRQ should be passed through to the host software driver regardless of whether all data requested by the command has been transferred.

### **6.6.2 Phases of operation**

An Ultra DMA data transfer is accomplished through a series of Ultra DMA data-in or data-out bursts. Each Ultra DMA burst has three mandatory phases of operation: the initiation phase, the data transfer phase, and the Ultra DMA burst termination phase. In addition, an Ultra DMA burst may be paused during the data transfer phase (see 9.13 and 9.14 for the detailed protocol descriptions for each of these phases, 10.2.4 defines the



specific timing requirements). In the following rules DMARDY- is used in cases that could apply to either DDMARDY- or HDMARDY-, and STROBE is used in cases that could apply to either DSTROBE or HSTROBE. The following are general Ultra DMA rules.

- 1) An Ultra DMA burst is defined as the period from an assertion of DMACK- by the host to the subsequent negation of DMACK-.
- 2) When operating in Ultra DMA modes 2, 1, or 0 a recipient shall be prepared to receive up to two data words whenever an Ultra DMA burst is paused. When operating in Ultra DMA modes 4 or 3 a recipient shall be prepared to receive up to three data words whenever an Ultra DMA burst is paused.

#### **6.6.2.1 Ultra DMA burst initiation phase rules**

- 1) An Ultra DMA burst initiation phase begins with the assertion of DMARQ by a device and ends when the sender generates a STROBE edge to transfer the first data word.
- 2) An Ultra DMA burst shall always be requested by a device asserting DMARQ.
- 3) When ready to initiate the requested Ultra DMA burst, the host shall respond by asserting DMACK-.
- 4) A host shall never assert DMACK- without first detecting that DMARQ is asserted.
- 5) For Ultra DMA data-in bursts: a device may begin driving DD(15:0) after detecting that DMACK- is asserted, STOP negated, and HDMARDY- is asserted.
- 6) After asserting DMARQ or asserting DDMARDY- for an Ultra DMA data-out burst, a device shall not negate either signal until the first STROBE edge is generated.
- 7) After negating STOP or asserting HDMARDY- for an Ultra DMA data-in burst, a host shall not change the state of either signal until the first STROBE edge is generated.

#### **6.6.2.2 Data transfer phase rules**

- 1) The data transfer phase is in effect from after Ultra DMA burst initiation until Ultra DMA burst termination.
- 2) A recipient pauses an Ultra DMA burst by negating DMARDY- and resumes an Ultra DMA burst by reasserting DMARDY-.
- 3) A sender pauses an Ultra DMA burst by not generating STROBE edges and resumes by generating STROBE edges.
- 4) A recipient shall not signal a termination request immediately when the sender stops generating STROBE edges. In the absence of a termination from the sender the recipient shall always negate DMARDY- and wait the required period before signaling a termination request.
- 5) A sender may generate STROBE edges at greater than the minimum period specified by the enabled Ultra DMA mode. The sender shall not generate STROBE edges at less than the minimum period specified by the enabled Ultra DMA mode. A recipient shall be able to receive data at the minimum period specified by the enabled Ultra DMA mode.

#### **6.6.2.3 Ultra DMA burst termination phase rules**

- 1) Either a sender or a recipient may terminate an Ultra DMA burst.
- 2) Ultra DMA burst termination is not the same as command completion. If an Ultra DMA burst termination occurs before command completion, the command shall be completed by initiation of a new Ultra DMA burst at some later time or aborted by the host issuing a hardware or software reset to the device.
- 3) An Ultra DMA burst shall be paused before a recipient requests a termination.
- 4) A host requests a termination by asserting STOP. A device acknowledges a termination request by negating DMARQ.
- 5) A device requests a termination by negating DMARQ. A host acknowledges a termination request by asserting STOP.
- 6) Once a sender requests a termination, the sender shall not change the state of STROBE until the recipient acknowledges the request. Then, if STROBE is not in the asserted state, the sender shall return STROBE to the asserted state. No data shall be transferred on this transition of STROBE.
- 7) A sender shall return STROBE to the asserted state whenever the sender detects a termination request from the recipient. No data shall be transferred nor CRC calculated on this edge of DSTROBE.

- 8) Once a recipient requests a termination, the responder shall not change DMARDY from the negated state for the remainder of an Ultra DMA burst.
- 9) A recipient shall ignore a STROBE edge when DMARQ is negated or STOP is asserted.

### 6.7 Host determination of cable type by detecting CBLID-

In a system using a cable, hosts shall determine that an 80-conductor cable is installed in a system before operating with transfer modes faster than Ultra DMA mode 2. Hosts shall detect that CBLID- is connected to ground to determine the cable type. See Annex B.

For detecting that CBLID- is connected to ground, the host shall test to see if CBLID- is below  $V_{IL}$  or above  $V_{IH}$ . If the signal is below  $V_{IL}$ , then an 80-conductor cable assembly is installed in the system because this signal is grounded in the 80-conductor cable assembly's host connector. If the signal is above  $V_{IH}$ , then a 40-conductor cable assembly is installed because this signal is connected to the device(s) and is pulled up through a 10 kΩ resistor at each device.

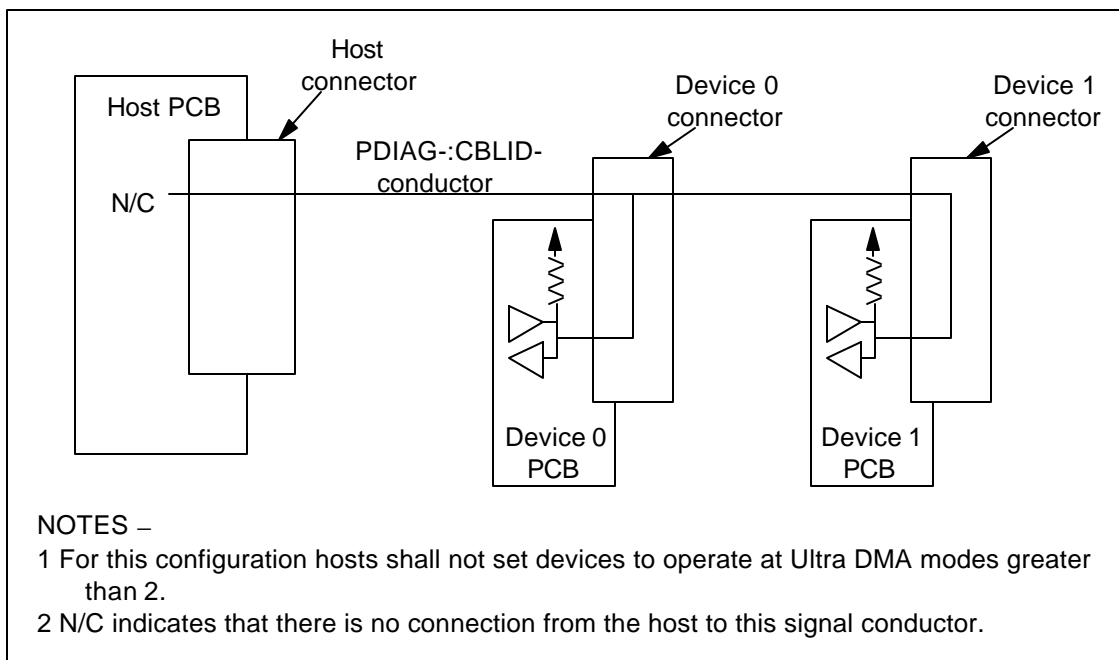


Figure 6 – Example configuration of a system with a 40-conductor cable

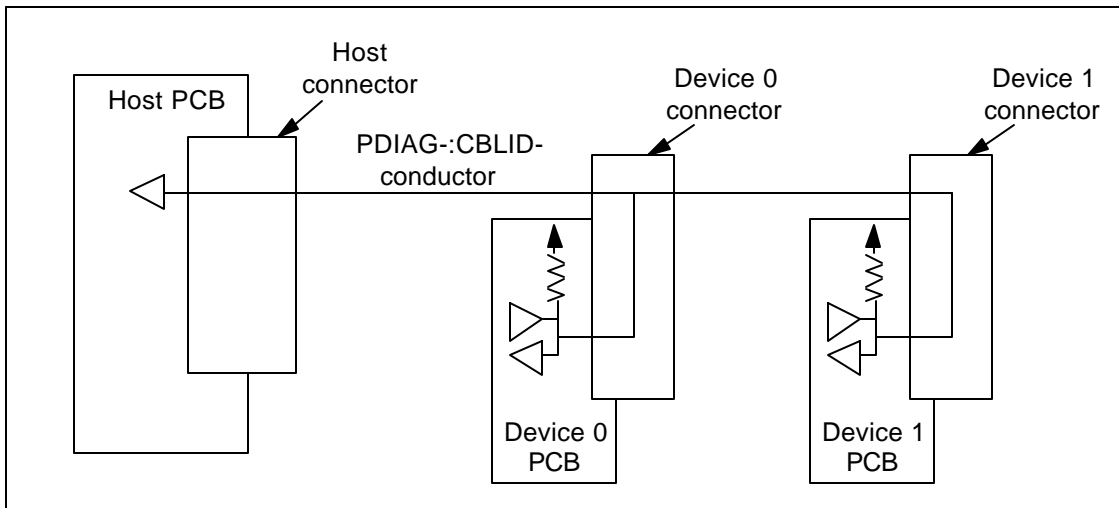


Figure 7 – Example configuration of a system where the host detects a 40-conductor cable

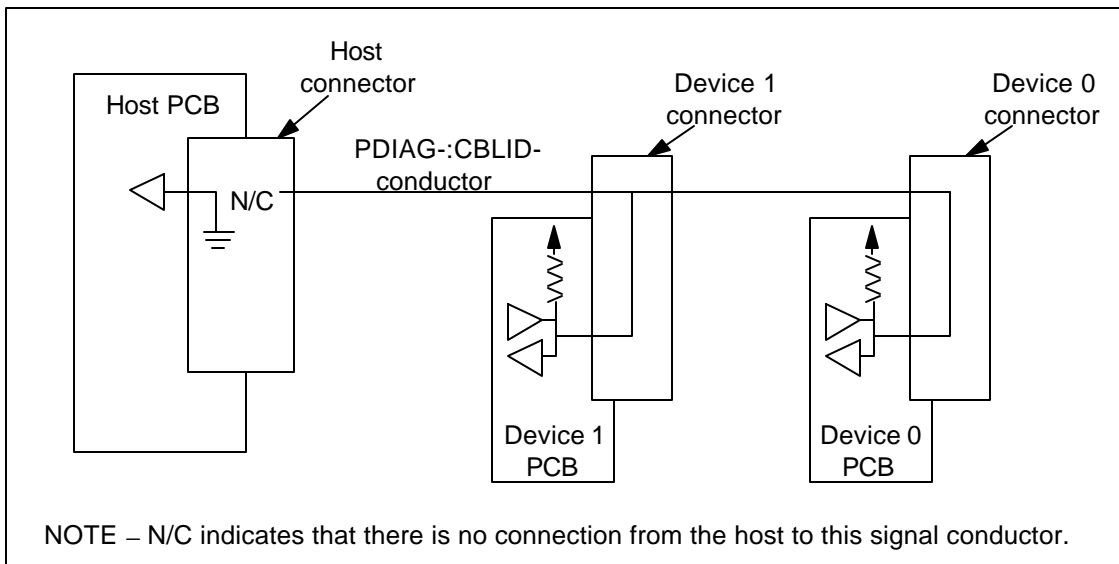


Figure 8 – Example configuration of a system where the host detects an 80-conductor cable

Table 8 – Host detection of CBLID-

| Cable assembly type | Device 1 releases PDIAG- | Electrical state of CBLID- at host | Host-determined cable type | Determination correct? |
|---------------------|--------------------------|------------------------------------|----------------------------|------------------------|
| 40-conductor        | Yes                      | 1                                  | 40-conductor               | Yes                    |
| 80-conductor        | Yes                      | 0                                  | 80-conductor               | Yes                    |
| 40-conductor        | No                       | 0                                  | 80-conductor               | No (see note)          |
| 80-conductor        | No                       | 0                                  | 80-conductor               | Yes                    |

NOTE – Ultra DMA mode 3 or 4 may be set incorrectly resulting in ICRC errors.

## 6.8 PACKET Command feature set

The PACKET Command feature set provides for devices that require command parameters that are too extensive to be expressed in the Command Block registers. Devices implementing the PACKET Command feature set exhibit responses different from those exhibited by devices not implementing this feature set.

The commands unique to the PACKET Command feature set are:

- PACKET
- DEVICE RESET
- IDENTIFY PACKET DEVICE

### **6.8.1 Identification of PACKET Command feature set devices**

When executing a power-on, hardware, DEVICE RESET, or software reset, a device implementing the PACKET Command feature set performs the same reset protocol as other devices but leaves the registers with a signature unique to PACKET Command feature set devices (see 9.12).

In addition, the IDENTIFY DEVICE command shall not be executed but shall be command aborted and shall return a signature unique to devices implementing the PACKET Command feature set. The IDENTIFY PACKET DEVICE command is used by the host to get identifying parameter information for a device implementing the PACKET Command feature set (see 8.12.5.2 and 8.13).

### **6.8.2 PACKET Command feature set resets**

Devices implementing the PACKET Command feature set respond to power-on, hardware, and software resets as any other device except for the resulting contents in the device registers as described above. However, software reset should not be issued while a PACKET command is in progress. PACKET commands utilized by some devices do not terminate if a software reset is issued.

The DEVICE RESET command is provided to allow the device to be reset without affecting the other device on the bus.

### **6.8.3 The PACKET command**

The PACKET command allows a host to send a command to the device via a command packet. The command packet contains the command and command parameters that the device is to execute.

Upon receipt of the PACKET command the device sets BSY to one and prepares to receive the command packet. When ready, the device sets DRQ to one and clears BSY to zero. The command packet is then transferred to the device by PIO transfer. When the last word of the command packet is transferred, the device sets BSY to one, and clears DRQ to zero (see 8.21 and 9.8).

## **6.9 Overlapped feature set**

Overlap allows devices that require extended command time to perform a bus release so that the other device on the bus may be used. To perform a bus release the device shall clear both DRQ and BSY to zero. When selecting the other device during overlapped operations, the host shall disable assertion of INTRQ via the nLEN bit on the currently selected device before writing the Device/Head register to select the other device.

The only commands that may be overlapped are:

- NOP (with a subcommand code other than 00h)
- PACKET
- READ DMA QUEUED
- SERVICE
- WRITE DMA QUEUED

For the PACKET command, overlap is indicated by the OVL bit in the Features register when the PACKET command is issued.

If the device supports PACKET command overlap, the OVL bit is set to one in the Features register and the Release interrupt has been enabled via the SET FEATURES command, then the device shall perform a bus

release when the command packet has been received. This allows the host to select the other device to execute commands. When the device is ready to continue the command, the device sets SERV to one, and asserts INTRQ if selected and nIEN is cleared to zero. The host then issues the SERVICE command to continue the execution of the command

If the device supports PACKET command overlap, the OVL bit is set to one in the Features register and the Release interrupt has been disabled via the SET FEATURES command, then the device may or may not perform a bus release. If the device is ready to complete execution of the command, the device may complete the command immediately as described in the non-overlap case. If the device is not ready to complete execution of the command, the device may perform a bus release and complete the command as described in the previous paragraph.

For the READ DMA QUEUED and WRITE DMA QUEUED commands, the device may or may not perform a bus release. If the device is ready to complete execution of the command, the device may complete the command immediately. If the device is not ready to complete execution of the command, the device may perform a bus release and complete the command via a service request.

If a device has an outstanding command that has been released, the device can only indicate that service is required when the device is selected. This implies that the host has to poll each device to determine if a device is requesting service. The polling can be performed at the host either by hardware or by a software routine. The latter implies a considerable host processor overhead. Hardware polling is initiated by the NOP Auto Poll command.

The NOP Poll command is a host adapter function and is ignored by the device. The host software can test for the support of this feature by issuing the NOP Auto Poll subcommand and examining the Status register. If the host adapter does not support this feature, the response received by the host will be from the device with the ERR bit set to one. If the host adapter does support the command, the response will be from the host adapter with the ERR bit cleared to zero. The only action taken by a device supporting the Overlapped feature set will be to return the error indication in the Status register and to not abort any outstanding commands.

## 6.10 Queued feature set

Command queuing allows the host to issue concurrent commands to the same device. Only commands included in the Overlapped feature set may be queued. The queue contains all commands for which command acceptance has occurred but command completion has not occurred. If a queue exists when a non-queued command is received, the non-queued command shall be command aborted and the commands in the queue shall be discarded. The ending status shall be command aborted and the results are indeterminate.

The maximum queue depth supported by a device shall be indicated in word 75 of the IDENTIFY DEVICE or IDENTIFY PACKET DEVICE response.

A queued command shall have a Tag provided by the host in the Sector Count register to uniquely identify the command. When the device restores register parameters during the execution of the SERVICE command, this Tag shall be restored so that the host may identify the command for which status is being presented. A Tag value may be any value between 0 and 31, regardless of the queue depth supported. If a queued command is issued with a Tag value that is identical to the Tag value for a command already in the queue, the entire queue shall be aborted including the new command. The ending status shall be command aborted and the results are indeterminate. If any error occurs, the command queue shall be aborted.

When the device is ready to continue the processing of a bus released command and BSY and DRQ are both cleared to zero, the device requests service by setting SERV to one, setting a pending interrupt, and asserting INTRQ if selected and if nIEN is cleared to zero. SERV shall remain set until all commands ready for service have been serviced. A read of the Status register or a write of the Command register shall clear the interrupt pending.

When the device is ready to continue the processing of a bus released command and BSY or DRQ is set to one (i.e., the device is processing another command on the bus), the device requests service by setting SERV to one. SERV shall remain set until all commands ready for service have been serviced. At command completion of the current command processing (i.e., when both BSY and DRQ are cleared to zero), the device shall process interrupt pending and INTRQ per the protocol for the command being completed. No additional INTRQ assertion shall occur due to other commands ready for service until after the device's SERV bit has been cleared to zero.

When the device receives a new command while queued commands are ready for service, the device shall execute the new command and process interrupt pending and INTRQ per the protocol for the new command. If the queued commands ready for service still exist at command completion of this command, SERV remains set to one but no additional INTRQ assertion shall occur due to commands ready for service.

When queuing commands, the host shall disable INTRQ assertion via the nIEN bit before writing a new command to the Command register and may re-enable INTRQ assertion after writing the command. When reading status at command completion of a command, the host shall check the SERV bit since the SERV bit may be set because the device is ready for service associated with another command. The host receives no additional INTRQ assertion to indicate that a queued command is ready for service.

## **6.11 Power Management feature set**

A device shall implement power management. A device implementing the PACKET Command feature set may implement the power management as defined by the packet command set implemented by the device. Otherwise, the device shall implement the Power Management feature set as described in this standard.

The Power Management feature set permits a host to modify the behavior of a device in a manner that reduces the power required to operate. The Power Management feature set provides a set of commands and a timer that enable a device to implement low power consumption modes. A register delivered command device that implements the Power Management feature set shall implement the following minimum set of functions:

- A Standby timer
- CHECK POWER MODE command
- IDLE command
- IDLE IMMEDIATE command
- SLEEP command
- STANDBY command
- STANDBY IMMEDIATE command

A device that implements the PACKET Command feature set and implements the Power Management feature set shall implement the following minimum set of functions:

- CHECK POWER MODE command
- IDLE IMMEDIATE command
- SLEEP command
- STANDBY IMMEDIATE command

### **6.11.1 Power management commands**

The CHECK POWER MODE command allows a host to determine if a device is currently in, going to or leaving Standby or Idle mode. The CHECK POWER MODE command shall not change the power mode or affect the operation of the Standby timer.

The IDLE and IDLE IMMEDIATE commands move a device to Idle mode immediately from the Active or Standby modes. The IDLE command also sets the Standby timer count and enables or disables the Standby timer.

The STANDBY and STANDBY IMMEDIATE commands move a device to Standby mode immediately from the Active or Idle modes. The STANDBY command also sets the Standby timer count and enables or disables the Standby timer.

The SLEEP command moves a device to Sleep mode. The device's interface becomes inactive at command completion of the SLEEP command. A hardware or software reset or DEVICE RESET command is required to move a device out of Sleep mode.

### **6.11.2 Standby timer**

The Standby timer provides a method for the device to automatically enter Standby mode from either Active or Idle mode following a host programmed period of inactivity. If the Standby timer is enabled and if the device is in the Active or Idle mode, the device waits for the specified time period and if no command is received, the device automatically enters the Standby mode.

If the Standby timer is disabled, the device may not automatically enter Standby mode.

### **6.11.3 Power modes**

Figure 9 shows the minimum set of mode transitions that shall be implemented.

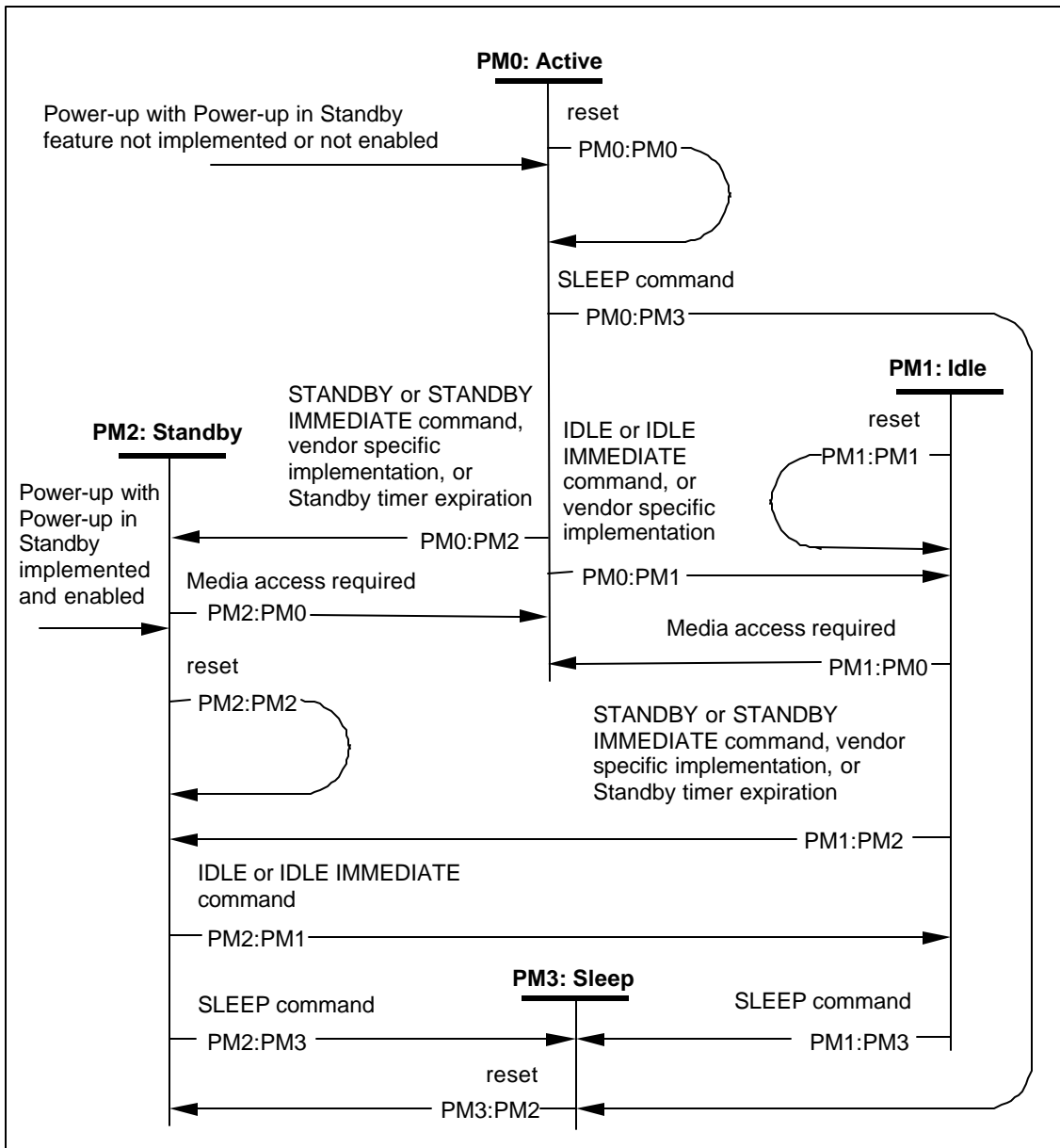


Figure 9 - Power management state diagram

**PM0: Active:** This mode shall be entered when the device receives a media access command while in Idle or Standby mode. This mode shall also be entered when the device is powered-up with the Power-Up In Standby feature not implemented or not enabled (see 6.18).

In Active mode the device is capable of responding to commands. During the execution of a media access command a device shall be in Active mode. Power consumption is greatest in this mode.

**Transition PM0:PM0:** When hardware reset, software rest, or DEVICE RESET command is received, the device shall make a transition to the PM0: Active mode when the reset protocol is completed.

**Transition PM0:PM1:** When an IDLE or IDLE IMMEDIATE command is received or when a vendor specific implementation determines a transition is required, then the device shall make a transition to the PM1:Idle mode.



**Transition PM0:PM2:** When a STANDBY or STANDBY IMMEDIATE command is received, the Standby timer expires, or a vendor specific implementation determines a transition is required, then the device shall make a transition to the PM2:Standby mode.

**Transition PM0:PM3:** When a SLEEP command is received, the device shall make a transition to the PM3:Sleep mode.

**PM1: Idle:** This mode shall be entered when the device receives an IDLE or IDLE IMMEDIATE command. Some devices may perform vendor specific internal power management and make a transition to the Idle mode without host intervention.

In Idle mode the device is capable of responding to commands but the device may take longer to complete commands than when in the Active mode. Power consumption may be reduced from that of Active mode.

**Transition PM1:PM0:** When a media access is required, the device shall make a transition to the PM0:Active mode.

**Transition PM1:PM1:** When hardware reset, software reset, or DEVICE RESET command is received, the device shall make a transition to the PM1:Idle mode when the reset protocol is completed.

**Transition PM1:PM2:** When a STANDBY or STANDBY IMMEDIATE command is received, the Standby timer expires, or a vendor specific implementation determines a transition is required, then the device shall make a transition to the PM2:Standby mode.

**Transition PM1:PM3:** When a SLEEP command is received, the device shall make a transition to the PM3:Sleep mode.

**PM2: Standby:** This mode shall be entered when the device receives a STANDBY command, a STANDBY IMMEDIATE command, or the Standby timer expires. Some devices may perform vendor specific internal power management and make a transition to the Standby mode without host intervention. This mode shall also be entered when the device is powered-up with the Power-Up In Standby feature implemented and enabled.

In Standby mode the device is capable of responding to commands but the device may take longer to complete commands than in the Idle mode. The time to respond could be as long as 30 s. Power consumption may be reduced from that of Idle mode.

**Transition PM2:PM0:** When a media access is required, the device shall make a transition to the PM0:Active mode.

**Transition PM2:PM1:** When an IDLE or IDLE IMMEDIATE command is received, or a vendor specific implementation determines a transition is required, then the device shall make a transition to the PM1:Idle mode.

**Transition PM2:PM2:** When hardware reset, software reset, or DEVICE RESET command is received, the device shall make a transition to the PM2:Standby mode when the reset protocol is completed.

**Transition PM2:PM3:** When a SLEEP command is received, the device shall make a transition to the PM3:Sleep mode.

**PM3: Sleep:** This mode shall be entered when the device receives a SLEEP command.

In Sleep mode the device requires a hardware or software reset or a DEVICE RESET command to be activated. The time to respond could be as long as 30 s. Sleep mode provides the lowest power consumption of any mode.

In Sleep mode, the device's interface is not active. The content of the Status register is invalid in this mode.

**Transition PM3:PM2:**, When hardware reset, software reset, or DEVICE RESET command is received the device shall make a transition to the PM2:Standby mode.

## 6.12 Advanced Power Management feature set

The Advanced Power Management feature set is an optional feature set that allows the host to select a power management level. The power management level is a scale from the lowest power consumption setting of 01h to the maximum performance level of FEh. Device performance may increase with increasing power management levels. Device power consumption may increase with increasing power management levels. A device may implement one power management method for two or more contiguous power management levels. For example, a device may implement one power management method from level 80h to A0h and a higher performance, higher power consumption method from level A1h to FEh. Advanced power management levels 80h and higher do not permit the device to spin down to save power.

The Advanced Power Management feature set uses the following functions:

- A SET FEATURES subcommand to enable Advanced Power Management
- A SET FEATURES subcommand to disable Advanced Power Management

Advanced Power Management is independent of the Standby timer setting. If both Advanced Power Management and the Standby timer are set, the device will go to the Standby state when the timer times out or the device's Advanced Power Management algorithm indicates that the Standby state should be entered.

The IDENTIFY DEVICE indicates that Advanced Power Management is supported, if Advanced Power Management is enabled, and the current advanced power management level if Advanced Power Management is enabled.

## 6.13 Security Mode feature set

The optional Security Mode feature set is a password system that restricts access to user data stored on a device. The system has two passwords, User and Master and two security levels, High and Maximum. The security system is enabled by sending a user password to the device with the SECURITY SET PASSWORD command. When the security system is enabled, access to user data on the device is denied after a power cycle until the User password is sent to the device with the SECURITY UNLOCK command.

A Master password may be set in a addition to the User password. The purpose of the Master password is to allow an administrator to establish a password that is kept secret from the user, and which may be used to unlock the device if the User password is lost. Setting the Master password does not enable the password system.

The security level is set to High or Maximum with the SECURITY SET PASSWORD command. The security level determines device behavior when the Master password is used to unlock the device. When the security level is set to High the device requires the SECURITY UNLOCK command and the Master password to unlock. When the security level is set to Maximum the device requires a SECURITY ERASE PREPARE command and a SECURITY ERASE UNIT command with the master password to unlock. Execution of the SECURITY ERASE UNIT command erases all user data on the device.

The SECURITY FREEZE LOCK command prevents changes to passwords until a following power cycle. The purpose of the SECURITY FREEZE LOCK command is to prevent password setting attacks on the security system.

A device that implements the Security Mode feature set shall implement the following minimum set of commands:

- SECURITY SET PASSWORD
- SECURITY UNLOCK
- SECURITY ERASE PREPARE
- SECURITY ERASE UNIT
- SECURITY FREEZE LOCK
- SECURITY DISABLE PASSWORD

Support of the Security Mode feature set is indicated in IDENTIFY DEVICE word 128.

### **6.13.1 Security mode initial setting**

When the device is shipped by the manufacturer, the state of the Security Mode feature shall be disabled. The initial Master password value is not defined by this standard.

If the Master Password Revision Code feature is supported, the Master Password Revision Code shall be set to FFFEh by the manufacturer.

### **6.13.2 User password lost**

If the User password sent to the device with the SECURITY UNLOCK command does not match the user password previously set with the SECURITY SET PASSWORD command, the device shall not allow the user to access data.

If the Security Level was set to High during the last SECURITY SET PASSWORD command, the device shall unlock if the Master password is received.

If the Security Level was set to Maximum during the last SECURITY SET PASSWORD command, the device shall not unlock if the Master password is received. The SECURITY ERASE UNIT command shall erase all user data and unlock the device if the Master password matches the last Master password previously set with the SECURITY SET PASSWORD command.

### **6.13.3 Attempt limit for SECURITY UNLOCK command**

The device shall have an attempt limit counter. The purpose of this counter is to defeat repeated trial attacks. After each failed User or Master password SECURITY UNLOCK command, the counter is decremented. When the counter value reaches zero the EXPIRE bit (bit 4) of word 128 in the IDENTIFY DEVICE information is set to one, and the SECURITY UNLOCK and SECURITY UNIT ERASE commands are command aborted until the device is powered off or hardware reset. The EXPIRE bit shall be cleared to zero after power-on or hardware reset. The counter shall be set to five after a power-on or hardware reset.

### **6.13.4 Security mode states**

Figure 8 describes security mode states and state transitions.

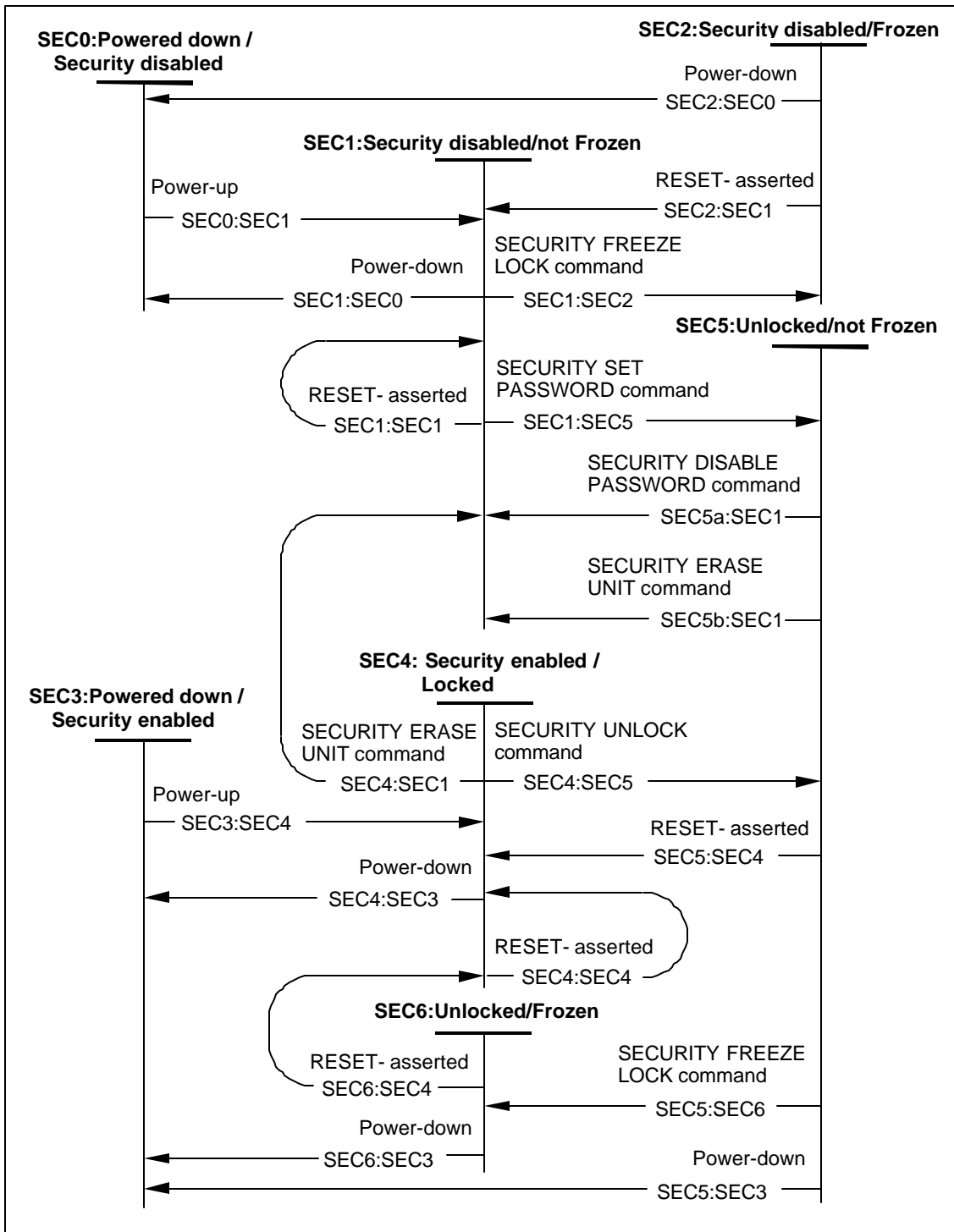


Figure 10 - Security mode state diagram

**SEC0: Powered down/Security disabled:** This mode shall be entered when the device is powered-down with the Security Mode feature set disabled.

**Transition SEC0:SEC1:** When the device is powered-up, the device shall make a transition to the SEC1: Security disabled/not Frozen state.

**SEC1: Security disabled/not Frozen:** This mode shall be entered when the device is powered-up or a hardware reset is received with the Security Mode feature set disabled or when the Security Mode feature set is disabled by a SECURITY DISABLE PASSWORD command.

In this state, the device is capable of responding to all commands (see Table 9 Unlocked column).

**Transition SEC1:SEC0:** When the device is powered-down, the device shall make a transition to the SEC0: Powered down/Security disabled state.

**Transition SEC1:SEC1:** When the device receives a hardware reset, the device shall make a transition to the SEC1: Security disabled/not Frozen state.

**Transition SEC1:SEC2:** When a SECURITY FREEZE LOCK command is received, the device shall make a transition to the SEC2: Security disabled/Frozen state.

**Transition SEC1:SEC5:** When a SECURITY SET PASSWORD command is received, the device shall make a transition to the SEC5: Unlocked/not frozen state

**SEC2: Security disabled/ Frozen:** This mode shall be entered when the device receives a SECURITY FREEZE LOCK command while in Security disabled/not Frozen state.

In this state, the device is capable of responding to all commands except those indicated in Table 9 Frozen column.

**Transition SEC2:SEC0:** When the device is powered-down, the device shall make a transition to the SEC0: Powered down/Security disabled state.

**Transition SEC2:SEC1:** When the device receives a hardware reset, the device shall make a transition to the SEC1: Security disabled/not Frozen state.

**SEC3: Powered down/Security enabled:** This mode shall be entered when the device is powered-down with the Security Mode feature set enabled.

**Transition SEC3:SEC4:** When the device is powered-up, the device shall make a transition to the SEC4: Security enabled/locked state.

**SEC4: Security enabled/locked:** This mode shall be entered when the device is powered-up with the Security Mode feature set enabled.

In this state, the device shall only respond to commands that do not access data in the user data area of the media (see Table 9 Locked column).

**Transition SEC4:SEC3:** When the device is powered-down, the device shall make a transition to the SEC3: Powered down/Security enabled state.

**Transition SEC4:SEC4:** When the device receives a hardware reset, the device shall make a transition to the SEC4: Security enabled/locked state.

**Transition SEC4:SEC5:** When a valid SECURITY UNLOCK command is received, the device shall make a transition to the SEC5: Unlocked/not Frozen state.

**Transition SEC4:SEC1:** When a SECURITY ERASE PREPARE command is received and is followed by a SECURITY ERASE UNIT command, the device shall make a transition to the SEC1: Security disabled/not Frozen state.

**SEC5: Unlocked/not Frozen:** This mode shall be entered when the device receives a SECURITY SET PASSWORD command to enable the lock or a SECURITY UNLOCK command.

In this state, the device shall respond to all commands (see Table 9 Unlocked column).

**Transition SEC5a:SEC1:** When a valid SECURITY DISABLE PASSWORD command is received, the device shall make a transition to the SEC1: Security disabled/not Frozen state.

**Transition SEC5b:SEC1:** When a SECURITY ERASE PREPARE command is received and is followed by a SECURITY ERASE UNIT command, the device shall make a transition to the SEC1: Security disabled/not Frozen state.

**Transition SEC5:SEC6:** When a SECURITY FREEZE LOCK command is received, the device shall make a transition to the SEC6: Unlocked/Frozen state.

**Transition SEC5:SEC3:** When the device is powered-down, the device shall make a transition to the SEC3: Powered down/Security enabled state.

**Transition SEC5:SEC4:** When the device receives a hardware reset, the device shall make a transition to the SEC4: Security enabled/not Frozen state.

**SEC6: Unlocked/ Frozen:** This mode shall be entered when the device receives a SECURITY FREEZE LOCK command while in Unlocked/not Frozen state.

In this state, the device is capable of responding to all commands except those indicated in Table 9 Frozen column.

**Transition SEC6:SEC3:** When the device is powered-down, the device shall make a transition to the SEC3: Powered down/Security enabled state.

**Transition SEC6:SEC4:** When the device receives a hardware reset, the device shall make a transition to the SEC4: Security enabled/not Frozen state.

Table 9 - Security mode command actions

| Command                          | Locked          | Unlocked   | Frozen          |
|----------------------------------|-----------------|------------|-----------------|
| CHECK POWER MODE                 | Executable      | Executable | Executable      |
| CFA REQUEST EXTENDED ERROR CODE  | Executable      | Executable | Executable      |
| CFA ERASE SECTORS                | Command aborted | Executable | Executable      |
| CFA TRANSLATE SECTOR             | Executable      | Executable | Executable      |
| CFA WRITE MULTIPLE WITHOUT ERASE | Command aborted | Executable | Executable      |
| CFA WRITE SECTORS WITHOUT ERASE  | Command aborted | Executable | Executable      |
| DEVICE RESET                     | Executable      | Executable | Executable      |
| DOWNLOAD MICROCODE               | Executable      | Executable | Executable      |
| EXECUTE DEVICE DIAGNOSTIC        | Executable      | Executable | Executable      |
| FLUSH CACHE                      | Command aborted | Executable | Executable      |
| GET MEDIA STATUS                 | Command aborted | Executable | Executable      |
| IDENTIFY DEVICE                  | Executable      | Executable | Executable      |
| IDENTIFY PACKET DEVICE           | Executable      | Executable | Executable      |
| IDLE                             | Executable      | Executable | Executable      |
| IDLE IMMEDIATE                   | Executable      | Executable | Executable      |
| INITIALIZE DEVICE PARAMETERS     | Executable      | Executable | Executable      |
| MEDIA EJECT                      | Command aborted | Executable | Executable      |
| MEDIA LOCK                       | Command aborted | Executable | Executable      |
| MEDIA UNLOCK                     | Command aborted | Executable | Executable      |
| NOP                              | Executable      | Executable | Executable      |
| PACKET                           | Command aborted | Executable | Executable      |
| READ BUFFER                      | Executable      | Executable | Executable      |
| READ DMA                         | Command aborted | Executable | Executable      |
| READ DMA QUEUED                  | Command aborted | Executable | Executable      |
| READ MULTIPLE                    | Command aborted | Executable | Executable      |
| READ NATIVE MAX ADDRESS          | Executable      | Executable | Executable      |
| READ SECTORS                     | Command aborted | Executable | Executable      |
| READ VERIFY SECTORS              | Command aborted | Executable | Executable      |
| SECURITY DISABLE PASSWORD        | Command aborted | Executable | Command aborted |
| SECURITY ERASE PREPARE           | Executable      | Executable | Command aborted |
| SECURITY ERASE UNIT              | Executable      | Executable | Command aborted |
| SECURITY FREEZE LOCK             | Command aborted | Executable | Executable      |
| SECURITY SET PASSWORD            | Command aborted | Executable | Command aborted |
| SECURITY UNLOCK                  | Executable      | Executable | Command aborted |
| SEEK                             | Executable      | Executable | Executable      |
| SERVICE                          | Command aborted | Executable | Executable      |
| SET FEATURES                     | Executable      | Executable | Executable      |
| SET MAX ADDRESS                  | Command aborted | Executable | Executable      |
| SET MULTIPLE MODE                | Executable      | Executable | Executable      |
| SLEEP                            | Executable      | Executable | Executable      |
| SMART DISABLE OPERATIONS         | Executable      | Executable | Executable      |
| SMART ENABLE/DISABLE AUTOSAVE    | Executable      | Executable | Executable      |
| SMART ENABLE OPERATIONS          | Executable      | Executable | Executable      |
| SMART EXECUTE OFF-LINE IMMEDIATE | Executable      | Executable | Executable      |
| SMART READ DATA                  | Executable      | Executable | Executable      |
| SMART READ LOG                   | Executable      | Executable | Executable      |
| SMART RETURN STATUS              | Executable      | Executable | Executable      |
| SMART SAVE ATTRIBUTE VALUES      | Executable      | Executable | Executable      |
| SMART WRITE LOG                  | Executable      | Executable | Executable      |
| STANDBY                          | Executable      | Executable | Executable      |
| STANDBY IMMEDIATE                | Executable      | Executable | Executable      |
| WRITE BUFFER                     | Executable      | Executable | Executable      |
| WRITE DMA                        | Command aborted | Executable | Executable      |
| WRITE DMA QUEUED                 | Command aborted | Executable | Executable      |
| WRITE MULTIPLE                   | Command aborted | Executable | Executable      |
| WRITE SECTORS                    | Command aborted | Executable | Executable      |

## **6.14 Self-monitoring, analysis, and reporting technology feature set**

The intent of self-monitoring, analysis, and reporting technology (the SMART feature set) is to protect user data and minimize the likelihood of unscheduled system downtime that may be caused by predictable degradation and/or fault of the device. By monitoring and storing critical performance and calibration parameters, SMART feature set devices attempt to predict the likelihood of near-term degradation or fault condition. Providing the host system the knowledge of a negative reliability condition allows the host system to warn the user of the impending risk of a data loss and advise the user of appropriate action. Support of this feature set is indicated in the IDENTIFY DEVICE response.

Devices that implement the PACKET Command feature set shall not implement the SMART feature set as described in this subclause. Devices that implement the PACKET Command feature set and SMART shall implement SMART as defined by the command packet set implemented by the device.

### **6.14.1 Device SMART data structure**

SMART feature set capability and status information for the device are stored in the device SMART data structure. The off-line data collection capability and status data stored herein may be useful to the host if the SMART EXECUTE OFF-LINE IMMEDIATE command is implemented (see 8.41.4).

### **6.14.2 On-line data collection**

Collection of SMART data in an “on-line” mode shall have no impact on device performance. The SMART data that is collected or the methods by which data is collected in this mode may be different than those in the off-line data collection mode for any particular device and may vary from one device to another.

### **6.14.3 Off-line data collection**

The device shall use off-line mode for data collection and self-test routines that have an impact on performance if the device is required to respond to commands from the host while performing that data collection. This impact on performance may vary from device to device. The data that is collected or the methods by which the data is collected in this mode may be different than those in the on-line data collection mode for any particular device and may vary from one device to another.

### **6.14.4 Threshold exceeded condition**

This condition occurs when the device’s SMART reliability status indicates an impending degrading or fault condition.

### **6.14.5 SMART feature set commands**

These commands use a single command code and are differentiated from one another by the value placed in the Features register (see 8.41).

If the SMART feature set is implemented, the following commands shall be implemented.

- SMART DISABLE OPERATIONS
- SMART ENABLE/DISABLE AUTOSAVE
- SMART ENABLE OPERATIONS
- SMART RETURN STATUS



If the SMART feature set is implemented, the following commands may be implemented.

- SMART EXECUTE OFF-LINE IMMEDIATE
- SMART READ DATA
- SMART READ LOG SECTOR
- SMART WRITE LOG SECTOR

#### **6.14.6 SMART operation with power management modes**

When used with a host that has implemented the Power Management feature set, a SMART enabled device should automatically save the device accumulated SMART data upon receipt of an IDLE IMMEDIATE, STANDBY IMMEDIATE, or SLEEP command or upon return to an Active or Idle mode from a Standby mode (see 8.41.5).

If a SMART feature set enabled device has been set to utilize the Standby timer, the device should automatically save the device accumulated SMART data prior to going from an Idle mode to the Standby mode or upon return to an Active or Idle mode from a Standby mode.

A device shall not execute any routine to automatically save the device accumulated SMART data while the device is in a Standby or Sleep mode.

#### **6.14.7 SMART device error log reporting**

Logging of reported errors is an optional SMART feature. If error logging is supported by a device, it is indicated in byte 370 of the SMART READ DATA command response. If error logging is supported, the device shall provide information on the last five errors that the device reported as described in the SMART READ LOG SECTOR command (see 8.41.6). The device may also provide additional vendor specific information on these reported errors.

If error logging is supported, it shall not be disabled when SMART is disabled. Error log information shall be gathered at all times the device is powered-on except that logging of errors when in a reduced power mode is optional. If errors are logged when in a reduced power mode, the reduced power mode shall not change. Disabling SMART shall disable the delivering of error log information via the SMART READ LOG SECTOR command.

If a device receives a firmware modification, all error log data shall be discarded and the device error count for the life of the device shall be reset to zero.

### **6.15 Host Protected Area feature set**

A reserved area for data storage outside the normal operating system file system is required for several specialized applications. Systems may wish to store configuration data or save memory to the device in a location that the operating systems cannot change. The Host Protected Area feature set allows a portion of the device to be reserved for such an area when the device is initially configured. A device that implements the Host Protected Area feature set shall implement the following minimum set of commands:

- READ NATIVE MAX ADDRESS
- SET MAX ADDRESS

Devices supporting this feature set shall set bit 10 of word 82 to one in the data returned by the IDENTIFY DEVICE or IDENTIFY PACKET DEVICE command.

In addition a device supporting the Host Protected Area feature set may optionally include the security extensions. The SET MAX commands use a single command code and are differentiated from one another by the value placed in the Features register.

- SET MAX SET PASSWORD
- SET MAX LOCK
- SET MAX FREEZE LOCK
- SET MAX UNLOCK

Devices supporting these extensions shall set bit 10 of word 82 of the identify data to one and bit 8 of word 83 of the IDENTIFY DEVICE data shall be set to one.

If the Host Protected Area feature set is supported, the device shall indicate so in the IDENTIFY DEVICE response.

The READ NATIVE MAX ADDRESS command allows the host to determine the maximum native address space of the device even when a protected area has been allocated.

The SET MAX ADDRESS command allows the host to redefine the maximum address of the user accessible address space. That is, when the SET MAX ADDRESS command is issued with a maximum address less than the native maximum address, the device reduces the user accessible address space to the maximum set, providing a protected area above that maximum address. The SET MAX ADDRESS command shall be immediately preceded by a READ NATIVE MAX ADDRESS command. After the SET MAX ADDRESS command has been issued, the device shall report only the reduced user address space in response to an IDENTIFY DEVICE command in words 1, 54, 57, 58, 60, and 61. Any read or write command to an address above the maximum address specified by the SET MAX ADDRESS command shall cause command completion with the IDNF bit set to one and ERR set to one, or command aborted. A volatility bit in the Sector Count register allows the host to specify if the maximum address set is preserved across power-on or hardware reset cycles. On power-on or hardware reset the device maximum address returns to the last non-volatile address setting regardless of subsequent volatile SET MAX ADDRESS commands. If the SET MAX ADDRESS command is issued with a value that exceeds the native maximum address command aborted shall be returned.

Typical use of these commands would be:

On reset

- a) BIOS receives control after a system reset;
- b) BIOS issues a READ NATIVE MAX ADDRESS command to find the max capacity of the device;
- c) BIOS issues a SET MAX ADDRESS command to the values returned by READ NATIVE MAX ADDRESS;
- d) BIOS reads configuration data from the highest area on the disk;
- e) BIOS issues a READ NATIVE MAX ADDRESS command followed by a SET MAX ADDRESS command to reset the device to the size of the file system.

On save to disk

- a) BIOS receives control prior to shut down;
- b) BIOS issues a READ NATIVE MAX ADDRESS command to find the max capacity of the device;
- c) BIOS issues a volatile SET MAX ADDRESS command to the values returned by READ NATIVE MAX ADDRESS;
- d) Memory is copied to the reserved area;
- e) Shut down completes;
- f) On power-on or hardware reset the device max address returns to the last non-volatile setting.

These commands are intended for use only by system BIOS or other low level boot time process. The process should select a single addressing translation, CHS or LBA, for all SET MAX ADDRESS and READ NATIVE MAX ADDRESS commands. Using these commands outside BIOS controlled boot or shutdown may result in

damage to file systems on the device. Devices should command aborted a second non-volatile SET MAX ADDRESS command after a power-on or hardware reset

The SET MAX SET PASSWORD command allows the host to define the password to be used during the current power-on cycle. The password does not persist over a power cycle but does persist over a hardware or software reset. This password is not related to the password used for the Security Mode Feature set. When the password is set the device is in the Set\_Max\_Unlocked mode.

The SET MAX LOCK command allows the host to disable the SET MAX commands (except SET MAX UNLOCK) until the next power cycle or the issuance and acceptance of the SET MAX UNLOCK command. When this command is accepted the device is in the Set\_Max\_Locked mode.

The SET MAX UNLOCK command changes the device from the Set\_Max\_Locked mode to the Set\_Max\_Unlocked mode.

The SET MAX FREEZE LOCK command allows the host to disable the SET MAX commands (including SET MAX UNLOCK) until the next power cycle. When this command is accepted the device is in the Set\_Max\_Frozen mode.

#### **6.15.1 BIOS determination of SET MAX security extension status**

When the device is locked bit 8 of word 86 shall be set to one.

#### **6.15.2 BIOS locking SET MAX**

To allow for multiple BIOSs to gain access to the protected area the host BIOS should only lock the protected area immediately prior to booting the operating system.

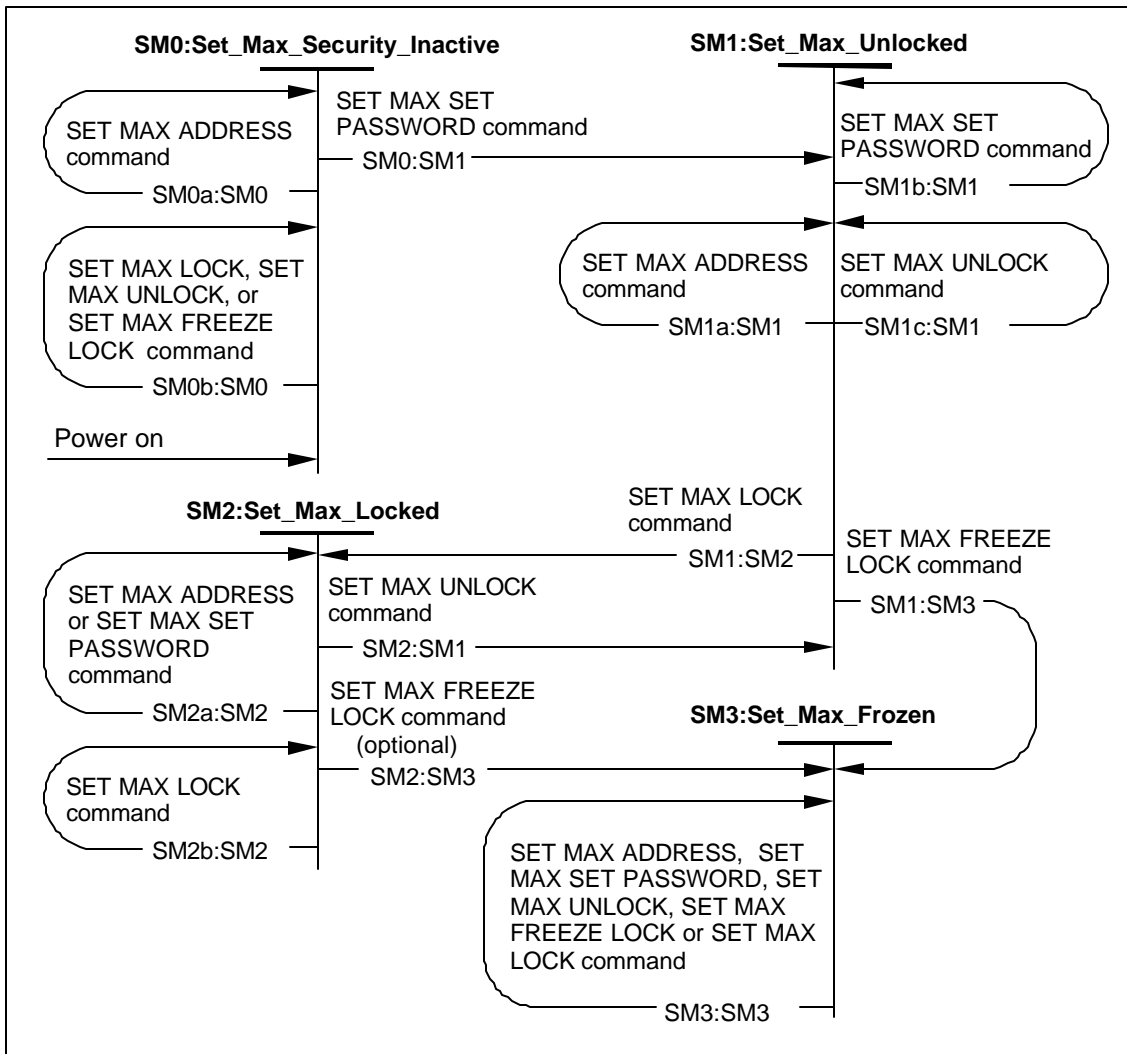


Figure 11 - SET MAX security state diagram

**SM0: Set\_Max\_Security\_Inactive:** This state shall be entered when the device is powered-on.

When in this state, SET MAX security is disabled.

**Transition SM0a:SM0:** When a SET MAX ADDRESS command is received, the command shall be executed and the device shall make a transition to the SM0: Set\_MAX\_Security\_Inactive state.

**Transition SM0b:SM0:** When a SET MAX LOCK, SET MAX UNLOCK, or SET MAX FREEZE LOCK command is received, the device shall abort the command and make a transition to the SM0: Set\_MAX\_Security\_Inactive state.

**Transition SM0:SM1:** When a SET MAX-SET PASSWORD command is received, the device shall make a transition to the SM1: Set\_Max\_Unlocked state.

**SM1: Set\_Max\_Unlocked:** This state is entered when a SET MAX SET PASSWORD or a SET MAX UNLOCK command is received.

When in this state, a SET MAX security password has been established and the SET MAX security is unlocked. Bit 8 of word 86 of the identify device data shall be set to one.

**Transition SM1a:SM1:** When a SET MAX ADDRESS command is received, the command shall be executed and the device shall make a transition to the SM1: Set\_MAX\_Unlocked state.

**Transition SM1b:SM1:** When a SET MAX SET PASSWORD is received, the password stored by the device shall be changed to the new value and the device shall make a transition to the SM1: Set\_MAX\_Unlocked state.

**Transition SM1c:SM1:** When a SET MAX UNLOCK command is received, the command shall not be executed and the device shall make a transition to the SM1: Set\_MAX\_Unlocked state.

**Transition SM1:SM2:** When a SET MAX LOCK command is received, the device shall make a transition to the SM2: Set\_Max\_Locked state.

**Transition SM1:SM3:** When a SET MAX FREEZE LOCK command is received, the device shall make a transition to the SM3: Set\_Max\_Frozen state.

**SM2: Set\_Max\_Locked:** This state is entered when a SET MAX LOCK command is received.

When in this state, a SET MAX security password has been established and the SET MAX security is locked. Bit 8 of word 86 of the identify device data shall be set to one.

**Transition SM2a:SM2:** When a SET MAX ADDRESS or SET MAX SET PASSWORD command is received, the command shall be aborted and the device shall make a transition to the SM2: Set\_Max\_Locked state

**Transition SM2b:SM2:** When a SET MAX LOCK command is received, the command shall be executed and the device shall make a transition to the SM2: Set\_Max\_Locked state.

**Transition SM2:SM1:** When a SET MAX UNLOCK command is received, the device shall make a transition to the SM1: Set Max Unlocked state.

**Transition SM2:SM3:** When a SET MAX FREEZE LOCK command is received, the device may make a transition to the SM3: Set\_Max\_Frozen state. Hosts should not issue the SET MAX FREEZE LOCK command when in this state. T13 intends to remove this transition in ATA/ATAPI-6.

**SM3: Set\_Max\_Frozen:** This state is entered when a SET MAX FREEZE LOCK command is received.

In this state, the device may not transition to any other state except by a power cycling. When in this mode bit 8 of word 86 of the identify device data shall be set to one.

**Transition SM3:SM3:** When a SET MAX ADDRESS, SET MAX SET PASSWORD, SET MAX UNLOCK, SET MAX FREEZE LOCK, or SET MAX LOCK command is received, the command shall be aborted and the device shall make a transition to the SM3: Set\_Max\_Frozen state.

### 6.15.3 Host protected area orphan sectors

Issuing a SET MAX ADDRESS command with an LBA value may create orphan sectors just as an INITIALIZE DEVICE PARAMETERS command may create such sectors (see B.3). If the SET MAX ADDRESS LBA value does not correspond to a cylinder boundary, orphan sectors are created. The device shall report the CHS boundary just below the requested LBA value in word 1. Sectors above this cylinder boundary are orphan sectors and the device may or may not allow access to them in CHS translation.

## 6.16 CFA feature set

The CompactFlash™ Association (CFA) feature set provides support for solid state memory devices. A device that implements the CFA feature set shall implement the following minimum set of commands:

- CFA REQUEST EXTENDED ERROR CODE
- CFA WRITE SECTORS WITHOUT ERASE
- CFA ERASE SECTORS
- CFA WRITE MULTIPLE WITHOUT ERASE
- CFA TRANSLATE SECTOR
- SET FEATURES Enable/Disable 8-bit transfer

Devices reporting the value 848Ah in IDENTIFY DEVICE data word 0 or devices having bit 2 of IDENTIFY DEVICE data word 83 set to one shall support the CFA feature Set. If the CFA feature set is implemented, all five commands shall be implemented.

Support of DMA commands is optional for devices that support the CFA feature set.

The CFA ERASE SECTORS command preconditions the sector for a subsequent CFA WRITE SECTORS WITHOUT ERASE or CFA WRITE MULTIPLE WITHOUT ERASE command to achieve higher performance during the write operation. The CFA TRANSLATE SECTOR command provides information about a sector such as the number of write cycles performed on that sector and an indication of the sector's erased precondition. The CFA REQUEST EXTENDED ERROR CODE command provides more detailed error information.

Command codes B8h through BFh are reserved for assignment by the CompactFlash™ Association.

## 6.17 Removable Media Status Notification and Removable Media feature sets

This section describes two feature sets that secure the media in removable media storage devices using the ATA/ATAPI interface protocols. First, the Removable Media Status Notification feature set is intended for use in both devices implementing the PACKET command feature set and those not implementing the PACKET command feature set. Second, the Removable Media feature set is intended for use only in devices not implementing the PACKET command feature set. Only one of these feature sets is enabled at any time. If the Removable Media Status Notification feature set is in use then the Removable Media feature set is disabled and vice versa.

The reasons for implementing the Removable Media Status Notification feature Set or the Removable Media feature set are:

- to prevent data loss caused by writing to new media while still referencing the previous media's information.
- to prevent data loss by locking the media until completion of a cached write.
- to prevent removal of the media by unauthorized persons.

### 6.17.1 Removable Media Status Notification feature set

The Removable Media Status Notification feature set is the preferred feature set for securing the media in removable media storage devices. This feature set uses the SET FEATURES command to enable Removable Media Status Notification. Removable Media Status Notification gives the host system maximum control of the media. The host system determines media status by issuing the GET MEDIA STATUS command and controls the device eject mechanism via the MEDIA EJECT command (for devices not implementing the PACKET command feature set) or the START/STOP UNIT command (for devices implementing the PACKET command feature set, see SCSI Primary Commands, NCITS 301-1997). While Removable Media Status Notification is enabled devices not implementing the PACKET command feature set execute MEDIA LOCK and MEDIA

UNLOCK commands without changing the media lock state (no-operation). While Removable Media Status Notification is enabled the eject button does not eject the media.

Removable Media Status Notification is persistent through medium removal and insertion and is only disabled via the SET FEATURES command, hardware reset, software reset, the DEVICE RESET command, the EXECUTE DEVICE DIAGNOSTIC command, or power-on reset. Removable Media Status Notification shall be re-enabled after any of the previous reset conditions occur. All media status is reset when Removable Media Status Notification is disabled because a reset condition occurred. Any pending media change or media change request is cleared when the Removable Media Status Notification reset condition occurs.

The following task file commands are defined to implement the Removable Media Status Notification feature set.

- GET MEDIA STATUS
- MEDIA EJECT
- SET FEATURES (Enable media status notification)
- SET FEATURES (Disable media status notification)

NOTE – Devices implementing the PACKET command feature set control the media eject mechanism via the START/STOP UNIT packet command.

The preferred sequence of events to use the Removable Media Status Notification feature set is as follows:

- a) Host system checks whether or not the device implements the PACKET command feature set via the device signature in the task file registers.
- b) Host system issues the IDENTIFY DEVICE command or the IDENTIFY PACKET DEVICE command and checks that the device is a removable media device and that the Removable Media Status Notification feature set is supported.
- c) Host system uses the SET FEATURES command to enable Media Status Notification that gives control of the media to the host. At this time the host system checks the Cylinder High register to determine if :
  - the device is capable of locking the media.
  - the device is capable of power ejecting the media.
  - Media Status Notification was enabled prior to this command.
- d) Host system periodically checks media status using the GET MEDIA STATUS command to determine if any of the following events occurred:
  - no media is present in the device (NM).
  - media was changed since the last command (MC).
  - a media change request has occurred (MCR).
  - media is write protected (WP).

### 6.17.2 Removable Media feature set

The Removable Media feature set is intended only for devices not implementing the PACKET command feature set. This feature set operates with Media Status Notification disabled. The MEDIA LOCK and MEDIA UNLOCK commands are used to secure the media and the MEDIA EJECT command is used to remove the media. While the media is locked the eject button does not eject the disk. Media status is determined by checking the media status bits returned by the MEDIA LOCK and MEDIA UNLOCK commands.

Power-on reset, hardware reset, and the EXECUTE DEVICE DIAGNOSTIC command clear the Media Lock (LOCK) state and the Media Change Request (MCR) state. Software reset clears the Media Lock (LOCK) state, clears the Media Change Request (MCR) state, and preserves the Media Change (MC) state.

The following commands are defined to implement the Removable Media feature set.

- MEDIA EJECT
- MEDIA LOCK
- MEDIA UNLOCK

The preferred sequence of events to use the Removable Media feature set is as follows:

- a) Host system checks whether or not the device implements the PACKET command feature set via the device signature in the task file registers.
- b) Host system issues the IDENTIFY DEVICE command and checks that the device is a removable media device and that the Removable Media feature set is supported.
- c) Host system periodically issues MEDIA LOCK commands to determine if:
  - no media is present in the device (NM) – media is locked if present.
  - a media change request has occurred (MCR).

## 6.18 Power-Up In Standby feature set

The optional Power-Up In Standby feature set allows devices to be powered-up into the Standby power management state to minimize inrush current at power-up and to allow the host to sequence the spin-up of devices. This optional feature set may be enabled or disabled via the SET FEATURES command or may be enabled by use of a jumper or similar means, or both. When enabled by a jumper, the feature set shall not be disabled via the SET FEATURES command. The IDENTIFY DEVICE or IDENTIFY PACKET DEVICE response indicates whether this feature set is implemented and/or enabled.

The enabling of this feature set shall be persistent after power-down and power-up. When this feature set is enabled, the device shall power-up into Standby.

A device may implement a SET FEATURES subcommand that notifies the device to spin-up to the Active state when the device has powered-up into Standby. If the device implements this SET FEATURES subcommand and power-up into Standby is enabled, the device shall remain in Standby until the SET FEATURES subcommand is received. If the device implements this SET FEATURES subcommand, the fact that the feature is implemented is reported in the IDENTIFY DEVICE or IDENTIFY PACKET DEVICE response.

If the device:

- implements this SET FEATURES subcommand
- power-up into Standby is enabled, and
- an IDENTIFY DEVICE or IDENTIFY PACKET DEVICE is received while the device is in Standby as a result of powering up into Standby

the device shall respond to the command remaining in Standby (without spinning-up).

If the device has IDENTIFY DEVICE or IDENTIFY PACKET DEVICE that requires access to the media, the device shall set word 0 bit 2 to one to indicate that the response is incomplete. At a minimum, words 0 and 2 shall be correctly reported. Those fields that cannot be provided shall be filled with zero. Once the full IDENTIFY DEVICE or IDENTIFY PACKET DEVICE response data has been accessed, a full response shall be returned until the next power-down/power-up sequence has taken place.

If the device does not implement the SET FEATURES subcommand to spin-up the device after power-up and power-up into Standby is enabled, the device shall spin-up upon receipt of the first command that requires the device to access the media.



## 7 Interface register definitions and descriptions

### 7.1 Device addressing considerations

In traditional controller operation, only the selected device receives commands from the host following selection. In this standard, when a register is written the value is written to the register of both devices. The host discriminates between the two by using the DEV bit in the Device/Head register.

Data is transferred in parallel either to or from host memory to the device's buffer under the direction of commands previously transferred from the host. The device performs all of the operations necessary to properly write data to, or read data from, the media. Data read from the media is stored in the device's buffer pending transfer to the host memory and data is transferred from the host memory to the device's buffer to be written to the media.

The devices using this interface shall be programmed by the host computer to perform commands and return status to the host at command completion. When two devices are connected on the cable, commands are written in parallel to both devices, and for all except the EXECUTE DEVICE DIAGNOSTIC command, only the selected device executes the command. Both devices shall execute an EXECUTE DEVICE DIAGNOSTIC command regardless of which device is selected, and Device 1 shall post status to Device 0 via PDIAG-.

When the Device Control register is written, both devices respond to the write regardless of which device is selected (see 7.9.5).

Devices are selected by the DEV bit in the Device/Head register (see 7.10). When the DEV bit is cleared to zero, Device 0 is selected. When the DEV bit is set to one, Device 1 is selected. When two devices are connected to the cable, one shall be set as Device 0 and the other as Device 1.

For register access protocols and timing see clauses 9 and 10.

When the host initiates a register or Data port read or write cycle by asserting then negating either DIOW- or DIOR-, the device(s) on the ATA interface shall determine how to respond and what action(s), if any, are to be taken. The following text and tables describe this decision process.

The device response begins with these steps:

- 1) For a device that is not in Sleep mode, see Table 10.
- 2) If DMACK- is asserted, a device in Sleep mode shall ignore all DIOW-/DIOR- activity. If DMACK- is not asserted, a device in Sleep mode shall respond as described in Table 15 if the device does not implement the PACKET Command feature set or Table 16 if the device does implement the PACKET Command feature set.

**Table 10 - Device response to DIOW-/DIOR-**

| <b>Is the device selected?</b><br>(see note 1)   | <b>Is DMACK- asserted?</b> | <b>Action/Response</b>   |
|--|----------------------------|--|
| No   | No                         | See Table 11   |
| No   | Yes                        | DIOW-/DIOR- cycle is ignored<br>(possible DMA transfer with the<br>other device) |
| Yes  | No                         | See Table 12   |
| Yes  | Yes                        | See Table 13 (see note 2)  |
| Device 1 is selected but there<br>is no Device 1 and Device 0<br>responds for Device 1.                                  | No                         | See Table 14 and 9.16.1  |
| Device 1 is selected but there<br>is no Device 1 and Device 0<br>responds for Device 1.                                  | Yes                        | DIOW-/DIOR- cycle is ignored<br>(possible malfunction of the host)               |
| NOTES –  |                            |  |
| 1 Device selected means that the DEV bit in the Device/Head register matches the logical device<br>number of the device. |                            |  |
| 2 Applicable only to Multiword DMA, not applicable to Ultra DMA.   |                            |  |

**Table 11 - Device is not selected, DMACK- is not asserted**

| CS0- | CS1- | DA2 | DA1 | DA0 | DIOx- | DMARQ | BSY | DRQ | Device Response  |
|------|------|-----|-----|-----|-------|-------|-----|-----|--|
| N    | N    | X   | X   | X   | X     | Z     | X   | X   | DIOW-/DIOR- cycle is ignored.  |
| N    | A    | N   | X   | X   | X     | Z     | X   | X   |  |
| N    | A    | A   | N   | X   | X     | Z     | X   | X   |  |
| N    | A    | A   | A   | N   | W     | Z     | X   | X   | Place new data into the Device Control register and respond to the new values of the nIEN and SRST bits.   |
| N    | A    | A   | A   | N   | R     | Z     | X   | X   | DIOW-/DIOR- cycle is ignored.  |
| N    | A    | A   | A   | A   | X     | Z     | X   | X   |  |
| A    | N    | N   | N   | N   | X     | Z     | X   | X   |  |
| A    | N    | N   | N   | A   | W     | Z     | 0   | X   | Place new data into the Feature register.  |
| A    | N    | N   | N   | A   | W     | Z     | 1   | X   | DIOW-/DIOR- cycle is ignored.  |
| A    | N    | N   | N   | A   | R     | Z     | X   | X   |  |
| A    | N    | N   | A   | N   | W     | Z     | 0   | X   | Place new data into the Sector Count register.   |
| A    | N    | N   | A   | N   | W     | Z     | 1   | X   | DIOW-/DIOR- cycle is ignored.  |
| A    | N    | N   | A   | N   | R     | Z     | X   | X   |  |
| A    | N    | N   | A   | A   | W     | Z     | 0   | X   | Place new data into the Sector Number register.  |
| A    | N    | N   | A   | A   | W     | Z     | 1   | X   | DIOW-/DIOR- cycle is ignored.  |
| A    | N    | N   | A   | A   | R     | Z     | X   | X   |  |
| A    | N    | A   | N   | N   | W     | Z     | 0   | X   | Place new data into the Cylinder Low register.   |
| A    | N    | A   | N   | N   | W     | Z     | 1   | X   | DIOW-/DIOR- cycle is ignored.  |
| A    | N    | A   | N   | N   | R     | Z     | X   | X   |  |
| A    | N    | A   | N   | A   | W     | Z     | 0   | X   | Place new data into the Cylinder High register.  |
| A    | N    | A   | N   | A   | W     | Z     | 1   | X   | DIOW-/DIOR- cycle is ignored.  |
| A    | N    | A   | N   | A   | R     | Z     | X   | X   |  |
| A    | N    | A   | A   | N   | W     | Z     | 0   | X   | Place new data into the Device/Head register. Respond to the new value of the DEV bit.                     |
| A    | N    | A   | A   | N   | W     | Z     | 1   | X   | DIOW-/DIOR- cycle is ignored.  |
| A    | N    | A   | A   | N   | R     | Z     | X   | X   |  |
| A    | N    | A   | A   | A   | W     | Z     | 0   | X   | Place new data into the Command register. Do not respond unless the command is EXECUTE DEVICE DIAGNOSTICS. |
| A    | N    | A   | A   | A   | W     | Z     | 1   | X   | DIOW-/DIOR- cycle is ignored.  |
| A    | N    | A   | A   | A   | R     | Z     | X   | X   |  |
| A    | A    | X   | X   | X   | X     | Z     | X   | X   | DIOW-/DIOR- cycle is ignored.  |

**NOTE –**

1. Except in the DIOx- column, A = asserted, N = negated, X = don't care.
2. In the DIOx- column, R = DIOR- asserted, W = DIOW- asserted, X = either DIOR- or DIOW- is asserted.
3. Device selected means that the DEV bit in the Device/Head register matches the logical device number of the device.

**Table 12 - Device is selected, DMACK- is not asserted**

| CS0- | CS1- | DA2 | DA1 | DA0 | DIOx- | DMARQ | BSY | DRQ | Device Response  |
|------|------|-----|-----|-----|-------|-------|-----|-----|--|
| N    | N    | X   | X   | X   | X     | X     | X   | X   | DIOw-/DIOr- cycle is ignored.  |
| N    | A    | N   | X   | X   | X     | X     | X   | X   |  |
| N    | A    | A   | N   | X   | X     | X     | X   | X   |  |
| N    | A    | A   | A   | N   | W     | X     | X   | X   | Place new data into the Device Control register and respond to the new values of the nIEN and SRST bits. |
| N    | A    | A   | A   | N   | R     | X     | X   | X   | Place Status register contents on the data bus (do not change the Interrupt Pending state).              |
| N    | A    | A   | A   | A   | X     | X     | X   | X   | DIOw-/DIOr- cycle is ignored.  |
| A    | N    | N   | N   | N   | X     | X     | 0   | 0   |  |
| A    | N    | N   | N   | N   | X     | X     | 0   | 1   | PIO data transfer for this device, a 16-bit data word is transferred via the Data register.              |
| A    | N    | N   | N   | N   | X     | X     | 1   | X   | Result of DIOw-/DIOr- cycle is indeterminate.  |
| A    | N    | N   | N   | A   | W     | X     | 0   | 0   | Place new data into the Features register.   |
| A    | N    | N   | N   | A   | W     | X     | 0   | 1   | DIOw- is ignored, this is a malfunction of the host.   |
| A    | N    | N   | N   | A   | W     | X     | 1   | X   | Result of DIOw-/DIOr- cycle is indeterminate.  |
| A    | N    | N   | N   | A   | R     | X     | 0   | X   | Place the contents of the Error register on the data bus.  |
| A    | N    | N   | N   | A   | R     | X     | 1   | X   | Place the contents of the Status register on the data bus.   |
| A    | N    | N   | A   | N   | W     | X     | 0   | 0   | Place new data into the Sector Count register.   |
| A    | N    | N   | A   | N   | W     | X     | 0   | 1   | DIOw- is ignored, this is a malfunction of the host.   |
| A    | N    | N   | A   | N   | W     | X     | 1   | X   | Result of DIOw-/DIOr- cycle is indeterminate.  |
| A    | N    | N   | A   | N   | R     | X     | 0   | X   | Place the contents of the Sector Count register on the data bus.   |
| A    | N    | N   | A   | N   | R     | X     | 1   | X   | Place the contents of the Status register on the data bus.   |
| A    | N    | N   | A   | A   | W     | X     | 0   | 0   | Place new data into the Sector Number register.  |
| A    | N    | N   | A   | A   | W     | X     | 0   | 1   | DIOw- is ignored, this is a malfunction of the host.   |
| A    | N    | N   | A   | A   | W     | X     | 1   | X   | Result of DIOw-/DIOr- cycle is indeterminate.  |
| A    | N    | N   | A   | A   | R     | X     | 0   | X   | Place the contents of the Sector Number register on the data bus.  |
| A    | N    | N   | A   | A   | R     | X     | 1   | X   | Place the contents of the Status register on the data bus.   |
| A    | N    | A   | N   | N   | W     | X     | 0   | 0   | Place new data into the Cylinder Low register.   |
| A    | N    | A   | N   | N   | W     | X     | 0   | 1   | DIOw- is ignored, this is a malfunction of the host.   |
| A    | N    | A   | N   | N   | W     | X     | 1   | X   | Result of DIOw-/DIOr- cycle is indeterminate.  |
| A    | N    | A   | N   | N   | R     | X     | 0   | X   | Place the contents of the Cylinder Low register on the data bus.   |
| A    | N    | A   | N   | N   | R     | X     | 1   | X   | Place the contents of the Status register on the data bus.   |
| A    | N    | A   | N   | A   | W     | X     | 0   | 0   | Place new data into the Cylinder High register.  |
| A    | N    | A   | N   | A   | W     | X     | 0   | 1   | DIOw- is ignored, this is a malfunction of the host.   |

(continued)

**Table 12 - Device is selected, DMACK- is not asserted (continued)**

| CS0- | CS1- | DA2 | DA1 | DA0 | DIOx- | DMARQ | BSY | DRQ | Device Response  |
|------|------|-----|-----|-----|-------|-------|-----|-----|--|
| A    | N    | A   | N   | A   | W     | X     | 1   | X   | Result of DIOw-/DIOR- cycle is indeterminate.  |
| A    | N    | A   | N   | A   | R     | X     | 0   | X   | Place the contents of the Cylinder High register on the data bus.  |
| A    | N    | A   | N   | A   | R     | X     | 1   | X   | Place the contents of the Status register on the data bus.   |
| A    | N    | A   | A   | N   | W     | X     | 0   | 0   | Place new data into the Device/Head register. Respond to the new value of the DEV bit.   |
| A    | N    | A   | A   | N   | W     | X     | 0   | 1   | DIOw- is ignored, this is a malfunction of the host.   |
| A    | N    | A   | A   | N   | W     | X     | 1   | X   | Result of DIOw-/DIOR- cycle is indeterminate.  |
| A    | N    | A   | A   | N   | R     | X     | 0   | X   | Place the contents of the Device/Head register on the data bus.  |
| A    | N    | A   | A   | N   | R     | X     | 1   | X   | Place the contents of the Status register on the data bus.   |
| A    | N    | A   | A   | A   | W     | X     | 0   | 0   | Place new data into the Command register and respond to the new command (exit the interrupt pending State).  |
| A    | N    | A   | A   | A   | W     | X     | 0   | 1   | Result of DIOw-/DIOR- cycle is indeterminate., unless the device supports DEVICE RESET. If the device supports the DEVICE RESET command, exit the interrupt pending state. |
| A    | N    | A   | A   | A   | W     | X     | 1   | X   |  |
| A    | N    | A   | A   | A   | R     | X     | X   | X   | Place contents of Status register on the data bus and exit the interrupt pending state.  |
| A    | A    | X   | X   | X   | X     | X     | X   | X   | DIOw-/DIOR- cycle is ignored.  |

NOTE –

1. Except in the DIOx- column, A = asserted, N = negated, X = don't care.
2. In the DIOx- column, R = DIOR- asserted, W = DIOw- asserted, X = either DIOR- or DIOw- is asserted.
3. Device selected means that the DEV bit in the Device/Head register matches the logical device number of the device.

(concluded)

**Table 13 - Device is selected, DMACK- is asserted (for Multiword DMA only)**

| CS0- | CS1- | DA2 | DA1 | DA0 | DIOx- | DMARQ | BSY | DRQ | Device Response   |
|------|------|-----|-----|-----|-------|-------|-----|-----|---|
| X    | X    | X   | X   | X   | X     | Z     | 0   | 0   | DIOw-/DIOR- cycle is ignored(possible malfunction of the host).   |
| X    | X    | X   | X   | X   | X     | Z     | 1   | X   |   |
| X    | X    | X   | X   | X   | X     | Z     | 0   | 1   |   |
| X    | X    | X   | X   | X   | X     | N     | 0   | 0   |   |
| N    | N    | X   | X   | X   | X     | N     | 1   | X   | This could be the final DIOw-/DIOR- of a Multiword DMA transfer burst, or a possible malfunction of the host that is ignored. |
| N    | N    | X   | X   | X   | X     | N     | 0   | X   |   |
| N    | N    | X   | X   | X   | X     | A     | 1   | X   | DMA transfer for this device, a 16-bit word of data is transferred via the Data Port.   |
| N    | N    | X   | X   | X   | X     | A     | 0   | 1   |   |
| X    | A    | X   | X   | X   | X     | X     | X   | X   | DIOw-/DIOR- cycle is ignored(possible Malfunction of the host).   |
| A    | X    | X   | X   | X   | X     | X     | X   | X   |   |

NOTE –

1. Except in the DIOx- column, A = asserted, N = negated, X = don't care.
2. In the DIOx- column, R = DIOR- asserted, W = DIOw- asserted, X = either DIOR- or DIOw- is asserted.
3. Device selected means that the DEV bit in the Device/Head register matches the logical device number of the device.

**Table 14 - Device 1 is selected and Device 0 is responding for Device 1**

| CS0- | CS1- | DA2 | DA1 | DA0 | DIOx- | DMARQ | BSY | DRQ | Device Response  |
|------|------|-----|-----|-----|-------|-------|-----|-----|--|
| N    | N    | X   | X   | X   | X     | Z     | 0   | 0   | DIOW-/DIOR- cycle is ignored.  |
| N    | A    | N   | X   | X   | X     | Z     | 0   | 0   |  |
| N    | A    | A   | N   | X   | X     | X     | 0   | 0   |  |
| N    | A    | A   | A   | N   | W     | X     | 0   | 0   | Place new data into the Device 0 Device Control register and respond to the new values of the nIEN and SRST bits.      |
| N    | A    | A   | A   | N   | R     | X     | 0   | 0   | Place 00H on the data bus.   |
| N    | A    | A   | A   | A   | X     | X     | 0   | 0   | DIOW-/DIOR- cycle is ignored.  |
| A    | N    | N   | N   | N   | X     | X     | 0   | 0   |  |
| A    | N    | N   | N   | A   | W     | X     | 0   | 0   | Place new data into the Device 0 Feature register.   |
| A    | N    | N   | N   | A   | R     | X     | 0   | 0   | Place the contents of the Device 0 Error register on the data bus.   |
| A    | N    | N   | A   | N   | W     | X     | 0   | 0   | Place new data into Device 0 Sector Count register.  |
| A    | N    | N   | A   | N   | R     | X     | 0   | 0   | Place the contents of the Device 0 Sector Count register on the data bus.  |
| A    | N    | N   | A   | A   | W     | X     | 0   | 0   | Place new data into Device 0 Sector Number register.   |
| A    | N    | N   | A   | A   | R     | X     | 0   | 0   | Place the contents of the Device 0 Sector Number register on the data bus.   |
| A    | N    | A   | N   | N   | W     | X     | 0   | 0   | Place new data into Device 0 Cylinder Low register.  |
| A    | N    | A   | N   | N   | R     | X     | 0   | 0   | Place the contents of the Device 0 Cylinder Low register on the data bus.  |
| A    | N    | A   | N   | A   | W     | X     | 0   | 0   | Place new data into Device 0 Cylinder High register.   |
| A    | N    | A   | N   | A   | R     | X     | 0   | 0   | Place the contents of the Device 0 Cylinder High register on the data bus.   |
| A    | N    | A   | A   | N   | W     | X     | 0   | 0   | Place new data into the Device 0 Device/Head register. Respond to the new value of the DEV bit.                        |
| A    | N    | A   | A   | N   | R     | X     | 0   | 0   | Place the contents of the Device 0 Device/Head register, with DEV bit set to 1, on the data bus.                       |
| A    | N    | A   | A   | A   | W     | X     | 0   | 0   | Place new data into the Command register of Device 0. Do not respond unless the command is EXECUTE DEVICE DIAGNOSTICS. |
| A    | N    | A   | A   | A   | R     | X     | 0   | 0   | Place 00H on the data bus.   |
| A    | A    | X   | X   | X   | X     | X     | 0   | 0   | DIOW-/DIOR- cycle is ignored.  |

**NOTE –**

1. Except in the DIOx- column, A = asserted, N = negated, X = don't care.
2. In the DIOx- column, R = DIOR- asserted, W = DIOW- asserted, X = either DIOR- or DIOW- is asserted.
3. Device selected means that the DEV bit in the Device/Head register matches the logical device number of the device.

**Table 15 - Device is in Sleep mode, DEVICE RESET is not implemented, DMACK- is not asserted**

| CS0- | CS1- | DA2 | DA1 | DA0 | DIOx- | DMARQ | BSY | DRQ | Device Response   |
|------|------|-----|-----|-----|-------|-------|-----|-----|---|
| N    | N    | X   | X   | X   | X     | Z     | X   | X   | DIOW-/DIOR- cycle is ignored.   |
| N    | A    | N   | X   | X   | X     | Z     | X   | X   |   |
| N    | A    | A   | N   | X   | X     | Z     | X   | X   |   |
| N    | A    | A   | A   | N   | W     | Z     | X   | X   | Place new data into the Device Control register SRST bit and respond only if SRST bit is 1. |
| N    | A    | A   | A   | N   | R     | Z     | X   | X   | DIOW-/DIOR- cycle is ignored.   |
| N    | A    | A   | A   | A   | X     | Z     | X   | X   |   |
| A    | N    | X   | X   | X   | X     | Z     | X   | X   |   |
| A    | A    | X   | X   | X   | X     | Z     | X   | X   |   |

NOTE –

1. Except in the DIOx- column, A = asserted, N = negated, X = don't care.
2. In the DIOx- column, R = DIOR- asserted, W = DIOW- asserted, X = either DIOR- or DIOW- is asserted.
3. Device selected means that the DEV bit in the Device/Head register matches the logical device number of the device.

**Table 16 - Device is in Sleep mode, DEVICE RESET is implemented, DMACK- is not asserted**

| CS0- | CS1- | DA2 | DA1 | DA0 | DIOx- | DMARQ | BSY | DRQ | Device Response   |
|------|------|-----|-----|-----|-------|-------|-----|-----|---|
| N    | N    | X   | X   | X   | X     | Z     | X   | X   | DIOW-/DIOR- cycle is ignored.   |
| N    | A    | N   | X   | X   | X     | Z     | X   | X   |   |
| N    | A    | A   | N   | X   | X     | Z     | X   | X   |   |
| N    | A    | A   | A   | N   | W     | Z     | X   | X   | Place new data into the Device Control register SRST bit and respond only if SRST bit is 1. |
| N    | A    | A   | A   | N   | R     | Z     | X   | X   | DIOW-/DIOR- cycle is ignored.   |
| N    | A    | A   | A   | A   | X     | Z     | X   | X   |   |
| A    | N    | N   | X   | X   | X     | Z     | X   | X   |   |
| A    | N    | A   | N   | X   | X     | Z     | X   | X   |   |
| A    | N    | A   | A   | N   | W     | Z     | X   | X   | Place new data into the Device/Head register DEV bit.                                       |
| A    | N    | A   | A   | N   | R     | Z     | X   | X   | DIOR- cycle is ignored.   |
| A    | N    | A   | A   | A   | W     | Z     | X   | X   | DIOW- cycle is ignored unless the device is selected and the command is DEVICE RESET.       |
| A    | N    | A   | A   | A   | R     | Z     | X   | X   | DIOR- cycle is ignored.   |
| A    | A    | X   | X   | X   | X     | Z     | X   | X   | DIOW-/DIOR- cycle is ignored  |

NOTE –

1. Except in the DIOx- column, A = asserted, N = negated, X = don't care.
2. In the DIOx- column, R = DIOR- asserted, W = DIOW- asserted, X = either DIOR- or DIOW- is asserted.
3. Device selected means that the DEV bit in the Device/Head register matches the logical device number of the device.

## 7.2 I/O register descriptions

Communication to or from the device is through registers addressed by the signals from the host (CS0-, CS1-, DA (2:0), DIOR-, and DIOW-). CS0- and CS1- both asserted or negated is an invalid (not used) address except when both are negated during a DMA data transfer. When CS0- and CS1- are both asserted or both negated and a DMA transfer is not in progress, the device shall hold DD (15:0) in the released state and ignore transitions on DIOR- and DIOW-. When CS0- is negated and CS1- is asserted only DA (2:0) with a value of 6h is valid. During invalid combinations of assertion and negation of CS0-, CS1-, DA0, DA1, and DA2, a device shall keep DD(15:0) in the high impedance state and ignore transitions on DIOR- and DIOW-. Valid register addresses are described in the clauses defining the registers.

The Command Block registers are used for sending commands to the device or posting status from the device. These registers include the Cylinder High, Cylinder Low, Device/Head, Sector Count, Sector Number,

Command, Status, Features, Error, and Data registers. The Control Block registers are used for device control and to post alternate status. These registers include the Device Control and Alternate Status registers.

Each register description in the following clauses contain the following format:

Address – the CS and DA address of the register.

Direction – indicates if the register is read/write, read only, or write only from the host.

Access restrictions – indicates when the register may be accessed.

Effect – indicates the effect of accessing the register.

Functional description – describes the function of the register.

Field/bit description – describes the content of the register.

### 7.3 Alternate Status register

#### 7.3.1 Address

| CS1                       | CS0 | DA2 | DA1 | DA0 |
|---------------------------|-----|-----|-----|-----|
| A                         | N   | A   | A   | N   |
| A = asserted, N = negated |     |     |     |     |

#### 7.3.2 Direction

This register is read only. If this address is written to by the host, the Device Control register is written.

#### 7.3.3 Access restrictions

When the BSY bit is set to one, the other bits in this register shall not be used. The entire contents of this register are not valid while the device is in Sleep mode.

#### 7.3.4 Effect

Reading this register shall not clear a pending interrupt.

#### 7.3.5 Functional description

This register contains the same information as the Status register in the command block.

See 7.15 for definitions of the bits in this register.

## 7.4 Command register

#### 7.4.1 Address

| CS1                       | CS0 | DA2 | DA1 | DA0 |
|---------------------------|-----|-----|-----|-----|
| N                         | A   | A   | A   | A   |
| A = asserted, N = negated |     |     |     |     |



### 7.4.2 Direction

This register is write only. If this address is read by the host, the Status register is read.

### 7.4.3 Access restrictions

For all commands except DEVICE RESET, this register shall only be written when BSY and DRQ are both cleared to zero and DMACK- is not asserted. If written when BSY or DRQ is set to one, the results of writing the Command register are indeterminate except for the DEVICE RESET command. For a device in the Sleep mode, writing of the Command register shall be ignored except for writing of the DEVICE RESET command to a device that implements the PACKET Command feature set.

### 7.4.4 Effect

Command processing begins when this register is written. The content of the Command Block registers become parameters of the command when this register is written. Writing this register clears any pending interrupt condition.

### 7.4.5 Functional description

This register contains the command code being sent to the device. Command execution begins immediately after this register is written. The executable commands, the command codes, and the necessary parameters for each command are summarized in the tables in informative annex E.

### 7.4.6 Field/bit description

|              |   |   |   |   |   |   |   |
|--------------|---|---|---|---|---|---|---|
| 7            | 6 | 5 | 4 | 3 | 2 | 1 | 0 |
| Command Code |   |   |   |   |   |   |   |

## 7.5 Cylinder High register

### 7.5.1 Address

|                           |            |            |            |            |
|---------------------------|------------|------------|------------|------------|
| <b>CS1</b>                | <b>CS0</b> | <b>DA2</b> | <b>DA1</b> | <b>DA0</b> |
| N                         | A          | A          | N          | A          |
| A = asserted, N = negated |            |            |            |            |

### 7.5.2 Direction

This register is read/write.

### 7.5.3 Access restrictions

This register shall be written only when both BSY and DRQ are cleared to zero and DMACK- is not asserted. The contents of this register are valid only when BSY is cleared to zero. If this register is written when BSY or DRQ is set to one, the result is indeterminate. The contents of this register are not valid while a device is in the Sleep mode.

### 7.5.4 Effect

The content of this register becomes a command parameter when the Command register is written.

### 7.5.5 Functional description

The content of this register is command dependent (see clause 8).

## 7.6 Cylinder Low register

### 7.6.1 Address

| CS1                       | CS0 | DA2 | DA1 | DA0 |
|---------------------------|-----|-----|-----|-----|
| N                         | A   | A   | N   | N   |
| A = asserted, N = negated |     |     |     |     |

### 7.6.2 Direction

This register is read/write.

### 7.6.3 Access restrictions

This register shall be written only when both BSY and DRQ are cleared to zero and DMACK- is not asserted. The contents of this register are valid only when BSY is cleared to zero. If this register is written when BSY or DRQ is set to one, the result is indeterminate. The contents of the this register are not valid while a device is in the Sleep mode.

### 7.6.4 Effect

The content of this register becomes a command parameter when the Command register is written.

### 7.6.5 Functional description

The content of this register is command dependent (see clause 8).

## 7.7 Data port

### 7.7.1 Address

When DMACK- is asserted, CS0- and CS1- shall be negated and transfers shall be 16-bits wide.

| CS1                                       | CS0 | DA2 | DA1 | DA0 |
|---|-----|-----|-----|-----|
| N   | N   | X   | X   | X   |
| A = asserted, N = negated, X = don't care |     |     |     |     |

### 7.7.2 Direction

This port is read/write.

### 7.7.3 Access restrictions

This port shall be accessed for host DMA data transfers only when DMACK- and DMARQ are asserted.

### 7.7.4 Effect

DMA out data transfers are processed by a series of reads to this port, each read transferring the data that follows the previous read. DMA in data transfers are processed by a series of writes to this port, each write transferring the data that follows the previous write. The results of a read during a DMA in or a write during a DMA out are indeterminate.

### 7.7.5 Functional description

The data port is 16-bits in width.

### 7.7.6 Field/bit description

|            |    |    |    |    |    |   |   |
|------------|----|----|----|----|----|---|---|
| 15         | 14 | 13 | 12 | 11 | 10 | 9 | 8 |
| Data(15:8) |    |    |    |    |    |   |   |
| 7          | 6  | 5  | 4  | 3  | 2  | 1 | 0 |
| Data(7:0)  |    |    |    |    |    |   |   |

## 7.8 Data register

### 7.8.1 Address

| CS1                       | CS0 | DA2 | DA1 | DA0 |
|---------------------------|-----|-----|-----|-----|
| N                         | A   | N   | N   | N   |
| A = asserted, N = negated |     |     |     |     |

### 7.8.2 Direction

This register is read/write.

### 7.8.3 Access restrictions

This register shall be accessed for host PIO data transfer only when DRQ is set to one and DMACK- is not asserted. The contents of this register are not valid while a device is in the Sleep mode.

### 7.8.4 Effect

PIO out data transfers are processed by a series of reads to this register, each read transferring the data that follows the previous read. PIO in data transfers are processed by a series of writes to this register, each write transferring the data that follows the previous write. The results of a read during a PIO in or a write during a PIO out are indeterminate.

### 7.8.5 Functional description

The data register is 16-bits wide. When a CFA device is in 8-bit PIO data transfer mode this register is 8-bits wide using only DD7 to DD0.

### 7.8.6 Field/bit description

|            |    |    |    |    |    |   |   |
|------------|----|----|----|----|----|---|---|
| 15         | 14 | 13 | 12 | 11 | 10 | 9 | 8 |
| Data(15:8) |    |    |    |    |    |   |   |
| 7          | 6  | 5  | 4  | 3  | 2  | 1 | 0 |
| Data(7:0)  |    |    |    |    |    |   |   |

## 7.9 Device Control register

### 7.9.1 Address

|                           |     |     |     |     |
|---------------------------|-----|-----|-----|-----|
| CS1                       | CS0 | DA2 | DA1 | DA0 |
| A                         | N   | A   | A   | N   |
| A = asserted, N = negated |     |     |     |     |

### 7.9.2 Direction

This register is write only. If this address is read by the host, the Alternate Status register is read.

### 7.9.3 Access restrictions

This register shall only be written when DMACK- is not asserted.

### 7.9.4 Effectiveness

The content of this register shall take effect when written.

### 7.9.5 Functional description

This register allows a host to software reset attached devices and to enable or disable the assertion of the INTRQ signal by a selected device. When the Device Control register is written, both devices respond to the write regardless of which device is selected. When the SRST bit is set to one, both devices shall perform the software reset protocol. The device shall respond to the SRST bit when in the SLEEP mode.

### 7.9.6 Field/bit description

|   |   |   |   |   |      |      |   |
|---|---|---|---|---|------|------|---|
| 7 | 6 | 5 | 4 | 3 | 2    | 1    | 0 |
| r | r | r | r | r | SRST | nIEN | 0 |

- Bits 7 through 3 are reserved.
- SRST is the host software reset bit (see 9.2).
- nIEN is the enable bit for the device Assertion of INTRQ to the host. When the nIEN bit is cleared to zero, and the device is selected, INTRQ shall be enabled through a tri-state buffer and shall be asserted or negated by the device as appropriate. When the nIEN bit is set to one, or the device is not selected, the INTRQ signal shall be in a high impedance state.
- Bit 0 shall be cleared to zero.

## 7.10 Device/Head register

### 7.10.1 Address

| CS1                       | CS0 | DA2 | DA1 | DA0 |
|---------------------------|-----|-----|-----|-----|
| N                         | A   | A   | A   | N   |
| A = asserted, N = negated |     |     |     |     |

### 7.10.2 Direction

This register is read/write.

### 7.10.3 Access restrictions

This register shall be written only when both BSY and DRQ are cleared to zero and DMACK- is not asserted. The contents of this register are valid only when BSY is cleared to zero. If this register is written when BSY or DRQ is set to one, the result is indeterminate. For devices not implementing the PACKET Command feature set, the contents of this register are not valid while a device is in the Sleep mode. For devices implementing the PACKET Command feature set, the contents of this register are valid while the device is in Sleep mode.

### 7.10.4 Effect

The DEV bit becomes effective when this register is written by the host or the signature is set by the device. All other bits in this register become a command parameter when the Command register is written.

### 7.10.5 Functional description

Bit 4, DEV, in this register selects the device. Other bits in this register are command dependent (see clause 8).

### 7.10.6 Field/bit description

| 7        | 6 | 5        | 4   | 3 | 2 | 1 | 0 |
|----------|---|----------|-----|---|---|---|---|
| Obsolete | # | Obsolete | DEV | # | # | # | # |

- Obsolete – These bits are obsolete.

NOTE – Some hosts set these bits to one. Devices shall ignore these bits.

- # - The content of these bits is command dependent (see clause 8).
- DEV – Device select. Cleared to zero selects Device 0. Set to one selects Device 1.

## 7.11 Error register

### 7.11.1 Address

| CS1                       | CS0 | DA2 | DA1 | DA0 |
|---------------------------|-----|-----|-----|-----|
| N                         | A   | N   | N   | A   |
| A = asserted, N = negated |     |     |     |     |

### 7.11.2 Direction

This register is read only. If this address is written to by the host, the Features register is written.

### 7.11.3 Access restrictions

The contents of this register shall be valid when BSY and DRQ equal zero and ERR equals one. The contents of this register shall be valid upon completion of power-on, or after a hardware or software reset, or after command completion of an EXECUTE DEVICE DIAGNOSTICS or DEVICE RESET command. The contents of this register are not valid while a device is in the Sleep mode.

### 7.11.4 Effect

None.

### 7.11.5 Functional description

This register contains status for the current command.

Following a power-on, a hardware or software reset (see 9.1), or command completion of an EXECUTE DEVICE DIAGNOSTIC (see 8.9) or DEVICE RESET command (see 8.7), this register contains a diagnostic code .

At command completion of any command except EXECUTE DEVICE DIAGNOSTIC, the contents of this register are valid when the ERR bit is set to one in the Status register.

### 7.11.6 Field/bit description

|          |          |          |          |          |          |          |          |
|----------|----------|----------|----------|----------|----------|----------|----------|
| <b>7</b> | <b>6</b> | <b>5</b> | <b>4</b> | <b>3</b> | <b>2</b> | <b>1</b> | <b>0</b> |
| #        | #        | #        | #        | #        | ABRT     | #        | #        |

- Bit 2 – ABRT (command aborted) is set to one to indicate the requested command has been command aborted because the command code or a command parameter is invalid or some other error has occurred.
- # -The content of this bit is command dependent (see clause 8).

## 7.12 Features register

### 7.12.1 Address

|                           |            |            |            |            |
|---------------------------|------------|------------|------------|------------|
| <b>CS1</b>                | <b>CS0</b> | <b>DA2</b> | <b>DA1</b> | <b>DA0</b> |
| N                         | A          | N          | N          | A          |
| A = asserted, N = negated |            |            |            |            |

### 7.12.2 Direction

This register is write only. If this address is read by the host, the Error register is read.

### 7.12.3 Access restrictions

This register shall be written only when BSY and DRQ equal zero and DMACK- is not asserted. If this register is written when BSY or DRQ is set to one, the result is indeterminate.

#### 7.12.4 Effect

The content of this register becomes a command parameter when the Command register is written.

#### 7.12.5 Functional description

The content of this register is command dependent (see clause 8).

### 7.13 Sector Count register

#### 7.13.1 Address

| CS1                       | CS0 | DA2 | DA1 | DA0 |
|---------------------------|-----|-----|-----|-----|
| N                         | A   | N   | A   | N   |
| A = asserted, N = negated |     |     |     |     |

#### 7.13.2 Direction

This register is read/write.

#### 7.13.3 Access restrictions

This register shall be written only when both BSY and DRQ are zero and DMACK- is not asserted. The contents of this register are valid only when both BSY and DRQ are zero. If this register is written when BSY or DRQ is set to one, the result is indeterminate. The contents of the this register are not valid while a device is in the Sleep mode.

#### 7.13.4 Effect

The content of this register becomes a command parameter when the Command register is written.

#### 7.13.5 Functional description

The content of this register is command dependent (see clause 8).

### 7.14 Sector Number register

#### 7.14.1 Address

| CS1                       | CS0 | DA2 | DA1 | DA0 |
|---------------------------|-----|-----|-----|-----|
| N                         | A   | N   | A   | A   |
| A = asserted, N = negated |     |     |     |     |

#### 7.14.2 Direction

This register is read/write.

#### 7.14.3 Access restrictions

This register shall be written only when both BSY and DRQ are zero and DMACK- is not asserted. The contents of this register are valid only when both BSY and DRQ are zero. If this register is written when BSY or DRQ is set to one, the result is indeterminate. The contents of this register are not valid while a device is in the Sleep mode.

#### 7.14.4 Effect

The content of this register becomes a command parameter when the Command register is written.

#### 7.14.5 Functional description

The content of this register is command dependent (see clause 8).

### 7.15 Status register

#### 7.15.1 Address

| CS1                       | CS0 | DA2 | DA1 | DA0 |
|---------------------------|-----|-----|-----|-----|
| N                         | A   | A   | A   | A   |
| A = asserted, N = negated |     |     |     |     |

#### 7.15.2 Direction

This register is read only. If this address is written to by the host, the Command register is written.

#### 7.15.3 Access restrictions

The contents of this register, except for BSY, shall be ignored when BSY is set to one. BSY is valid at all times. The contents of this register are not valid while a device is in the Sleep mode.

#### 7.15.4 Effect

Reading this register when an interrupt is pending causes the interrupt pending to be cleared (see 5.2.9). The host should not read the Status register when an interrupt is expected as this may clear the interrupt pending before the INTRQ can be recognized by the host.

#### 7.15.5 Functional description

This register contains the device status. The contents of this register are updated to reflect the current state of the device and the progress of any command being executed by the device.

#### 7.15.6 Field/bit description

| 7   | 6    | 5 | 4 | 3   | 2        | 1        | 0   |
|-----|------|---|---|-----|----------|----------|-----|
| BSY | DRDY | # | # | DRQ | Obsolete | Obsolete | ERR |

##### 7.15.6.1 BSY (Busy)

BSY is set to one to indicate that the device is busy. After the host has written the Command register the device shall have either the BSY bit set to one, or the DRQ bit set to one, until command completion or the device has performed a bus release for an overlapped command.

The BSY bit shall be set to one by the device:

- 1) after either the negation of RESET- or the setting of the SRST bit to one in the Device Control register;
- 2) after writing the Command register if the DRQ bit is not set to one;
- 3) between blocks of a data transfer during PIO data-in commands before the DRQ bit is cleared to zero;



- 4) after the transfer of a data block during PIO data-out commands before the DRQ bit is cleared to zero;
- 5) during the data transfer of DMA commands either the BSY bit , the DRQ bit, or both shall be set to one;
- 6) after the command packet is received during the execution of a PACKET command.

NOTE – The BSY bit may be set to one and then cleared to zero so quickly, that host detection of the BSY bit being set to one is not certain.

When BSY is set to one, the device has control of the Command Block Registers and:

- 1) a write to a Command Block register by the host shall be ignored by the device except for writing DEVICE RESET command;
- 2) a read from a Command Block register by the host will most likely yield invalid contents except for the BSY bit itself.

The BSY bit shall be cleared to zero by the device:

- 1) after setting DRQ to one to indicate the device is ready to transfer data;
- 2) at command completion;
- 3) upon releasing the bus for an overlapped command;
- 4) when the device is ready to accept commands that do not require DRDY during a power-on, hardware or software reset.

When BSY is cleared to zero, the host has control of the Command Block registers, the device shall:

- 1) not set DRQ to one;
- 2) not change ERR bit;
- 3) not change the content of any other Command Block register;
- 4) set the SERV bit to one when ready to continue an overlapped command that has been bus released.

#### 7.15.6.2 DRDY (Device ready)

The DRDY bit shall be cleared to zero by the device:

- 1) when power-on, hardware, or software reset or DEVICE RESET or EXECUTE DEVICE DIAGNOSTIC commands for devices implementing the PACKET command feature set.

When the DRDY bit is cleared to zero, the device shall accept and attempt to execute as described in clause 8.

The DRDY bit shall be set to one by the device:

- 1) when the device is capable of accepting all commands for devices not implementing the PACKET command feature set;
- 2) prior to command completion except the DEVICE RESET or EXECUTE DEVICE DIAGNOSTIC command for devices implementing the PACKET feature set.

When the DRDY bit is set to one:

- 1) the device shall accept and attempt to execute all implemented commands;
- 2) devices that implement the Power Management feature set shall maintain the DRDY bit set to one when they are in the Idle or Standby modes.

### 7.15.6.3 Command dependent

The use of bits marked with # are command dependent (see clause 8). Bit 4 was formerly the DSC (Device Seek Complete) bit.

### 7.15.6.4 DRQ (Data request)

DRQ indicates that the device is ready to transfer a word of data between the host and the device. After the host has written the Command register the device shall either set the BSY bit to one or the DRQ bit to one, until command completion or the device has performed a bus release for an overlapped command.

The DRQ bit shall be set to one by the device:

- 1) when BSY is set to one and data is ready for PIO transfer;
- 2) during the data transfer of DMA commands either the BSY bit , the DRQ bit, or both shall be set to one.

When the DRQ bit is set to one, the host may:

- 1) transfer data via PIO mode;
- 2) transfer data via DMA mode if DMARQ and DMACK- are asserted.

The DRQ bit shall be cleared to zero by the device:

- 1) when the last word of the data transfer occurs;
- 2) when the last word of the command packet transfer occurs for a PACKET command.

When the DRQ bit is cleared to zero, the host may:

- 1) transfer data via DMA mode if DMARQ and DMACK- are asserted and BSY is set to one.

### 7.15.6.5 Obsolete bits

Some bits in this register were defined in previous ATA standards but have been declared obsolete in this standard. These bits are labeled "obsolete".

### 7.15.6.6 ERR (Error)

ERR indicates that an error occurred during execution of the previous command. For the PACKET and SERVICE commands, this bit is defined as CHK and indicates that an exception conditions exists.

The ERR bit shall be set to one by the device:

- 1) when BSY or DRQ is set to one and an error occurs in the executing command.

When the ERR bit is set to one:

- 1) the bits in the Error register shall be valid;
- 2) the device shall not change the contents of the following registers until a new command has been accepted, the SRST bit is set to one or RESET- is asserted:
  - Error register;
  - Cylinder High/Low registers;
  - Sector Count register;
  - Sector Number register;
  - Device/Head register.

The ERR bit shall be cleared to zero by the device:

- 1) when a new command is written to the Command register;
- 2) when the SRST bit is set to one;
- 3) when the RESET- signal is asserted.

When the ERR bit is cleared to zero at the end of a command:

- 1) the content of the Error register shall be ignored by the host.

## 8 Command descriptions

Commands are issued to the device by loading the required registers in the command block with the needed parameters and then writing the command code to the Command register. Required registers are those indicated by a specific content in the Inputs table for the command, i.e., not noted as na or obs.

Each command description in the following clauses contains the following subclauses:

Command code – Indicates the command code for this command.

Feature set – Indicates feature set and if the command is:

- Mandatory – Required to be implemented by devices as specified.
- Optional – Implementation is optional but if implemented shall be implemented as specified.

Protocol – Indicates which protocol is used by the command (see clause 9).

Inputs – Describes the Command Block register data that the host shall supply.

| Register   | 7            | 6 | 5 | 4 | 3 | 2 | 1 | 0 |
|--|--------------|---|---|---|---|---|---|---|
| Features   |              |   |   |   |   |   |   |   |
| Sector Count   |              |   |   |   |   |   |   |   |
| Sector Number  |              |   |   |   |   |   |   |   |
| Cylinder Low   |              |   |   |   |   |   |   |   |
| Cylinder High  |              |   |   |   |   |   |   |   |
| Device/Head  |              |   |   |   |   |   |   |   |
| Command  | Command Code |   |   |   |   |   |   |   |
| NOTE – na indicates the content of a bit or field is not applicable to the particular command. Obs indicates that the use of this bit is obsolete. |              |   |   |   |   |   |   |   |

Normal outputs – Describes the Command Block register data returned by the device at the end of a command.

| Register   | 7 | 6 | 5 | 4 | 3 | 2 | 1 | 0 |
|--|---|---|---|---|---|---|---|---|
| Error  |   |   |   |   |   |   |   |   |
| Sector Count   |   |   |   |   |   |   |   |   |
| Sector Number  |   |   |   |   |   |   |   |   |
| Cylinder Low   |   |   |   |   |   |   |   |   |
| Cylinder High  |   |   |   |   |   |   |   |   |
| Device/Head  |   |   |   |   |   |   |   |   |
| Status   |   |   |   |   |   |   |   |   |
| NOTE – na indicates the content of a bit or field is not applicable to the particular command. Obs indicates that the use of this bit is obsolete. |   |   |   |   |   |   |   |   |

Error outputs – Describes the Command Block register data that shall be returned by the device at command completion with an unrecoverable error.

| Register   | 7 | 6 | 5 | 4 | 3 | 2 | 1 | 0 |
|--|---|---|---|---|---|---|---|---|
| Error  |   |   |   |   |   |   |   |   |
| Sector Count   |   |   |   |   |   |   |   |   |
| Sector Number  |   |   |   |   |   |   |   |   |
| Cylinder Low   |   |   |   |   |   |   |   |   |
| Cylinder High  |   |   |   |   |   |   |   |   |
| Device/Head  |   |   |   |   |   |   |   |   |
| Status   |   |   |   |   |   |   |   |   |
| NOTE – na indicates the content of a bit or field is not applicable to the particular command. Obs indicates that the use of this bit is obsolete. |   |   |   |   |   |   |   |   |

Prerequisites – Any prerequisite commands or conditions that shall be met before the command is issued.

Description – The description of the command function(s).

## 8.1 CFA ERASE SECTORS

### 8.1.1 Command code

C0h

### 8.1.2 Feature set

CFA feature set.

- If the CFA feature set is implemented this command shall be implemented.

This command code is Vendor Specific for devices not implementing the CFA feature Set.

### 8.1.3 Protocol

Non-data command (see 9.4).

### 8.1.4 Inputs

The Cylinder Low, Cylinder High, Device/Head, and Sector Number specify the starting sector address to be erased. The Sector Count register specifies the number of sectors to be erased.

| Register      | 7                    | 6   | 5   | 4   | 3                  | 2 | 1 | 0 |
|---------------|----------------------|-----|-----|-----|--------------------|---|---|---|
| Features      | na                   |     |     |     |                    |   |   |   |
| Sector Count  | Sector count         |     |     |     |                    |   |   |   |
| Sector Number | Sector number or LBA |     |     |     |                    |   |   |   |
| Cylinder Low  | Cylinder low or LBA  |     |     |     |                    |   |   |   |
| Cylinder High | Cylinder high or LBA |     |     |     |                    |   |   |   |
| Device/Head   | obs                  | LBA | obs | DEV | Head number or LBA |   |   |   |
| Command       | C0h                  |     |     |     |                    |   |   |   |

Sector Count –

number of sectors to be erased. A value of 00h indicates that 256 sectors are to be erased.

Sector Number –

starting sector number or LBA address bits (7:0).

Cylinder Low –

- starting cylinder number bits (7:0) or LBA address bits (15:8).  
 Cylinder High –  
 starting cylinder number bits (15:8) or LBA address bits (23:16).  
 Device/Head –  
 bit 6 set to one if LBA address, cleared to zero if CHS address starting head number or LBA address bits (27:24).

### 8.1.5 Normal outputs

| Register      | 7   | 6    | 5   | 4   | 3  | 2  | 1  | 0   |
|---------------|-----|------|-----|-----|----|----|----|-----|
| Error         | na  |      |     |     |    |    |    |     |
| Sector Count  | na  |      |     |     |    |    |    |     |
| Sector Number | na  |      |     |     |    |    |    |     |
| Cylinder Low  | na  |      |     |     |    |    |    |     |
| Cylinder High | na  |      |     |     |    |    |    |     |
| Device/Head   | obs | na   | obs | DEV | na | na | na | na  |
| Status        | BSY | DRDY | na  | na  | na | na | na | ERR |

#### Status register

BSY shall be cleared to zero indicating command completion.

DRDY shall be set to one.

ERR shall be cleared to zero.

### 8.1.6 Error outputs

The device shall return command aborted if the command is not supported. An unrecoverable error encountered during execution of this command results in the termination of the command. The command block registers contain the address of the sector where the first unrecovered error occurred.

| Register      | 7                    | 6    | 5   | 4    | 3                  | 2    | 1  | 0   |
|---------------|----------------------|------|-----|------|--------------------|------|----|-----|
| Error         | na                   | na   | na  | IDNF | na                 | ABRT | na | MED |
| Sector Count  | na                   |      |     |      |                    |      |    |     |
| Sector Number | Sector number or LBA |      |     |      |                    |      |    |     |
| Cylinder Low  | Cylinder low or LBA  |      |     |      |                    |      |    |     |
| Cylinder High | Cylinder high or LBA |      |     |      |                    |      |    |     |
| Device/Head   | obs                  | na   | obs | DEV  | Head number or LBA |      |    |     |
| Status        | BSY                  | DRDY | DF  | na   | na                 | na   | na | ERR |

#### Error Register –

IDNF shall be set to one if a user-accessible address could not be found and after an unsuccessful INITIALIZE DEVICE PARAMETERS command until a valid CHS translation is established (see 8.16.8). IDNF shall be set to one if an address outside of the range of user-accessible addresses is requested if command aborted is not returned.

ABRT shall be set to one if the command is not supported. ABRT may be set to one if the device is not able to complete the action requested by the command. ABRT shall be set to one if an address outside of the range of user-accessible addresses is requested if IDNF is not set to one.

MED shall be set to one if a media error is detected.

Sector Number, Cylinder Low, Cylinder High, Device/Head –  
 shall be written with the address of first unrecoverable error.

#### Status register –

BSY shall be cleared to zero indicating command completion.

DRDY shall be set to one.

DF (Device Fault) shall be set to one if a device fault has occurred.  
 ERR shall be set to one if an Error register bit is set to one.

**8.1.7 Prerequisites**

DRDY set to one.

**8.1.8 Description**

This command pre-erases and conditions from 1 to 256 sectors as specified in the Sector Count register. This command should be issued in advance of a CFA WRITE SECTORS WITHOUT ERASE or a CFA WRITE MULTIPLE WITHOUT ERASE command to increase the execution speed of the write operation.

**8.2 CFA REQUEST EXTENDED ERROR CODE**

**8.2.1 Command code**

03h

**8.2.2 Feature set**

CFA feature set.

- If the CFA feature set is implemented this command shall be implemented.

**8.2.3 Protocol**

Non-data command (see 9.4).

**8.2.4 Inputs**

| Register      | 7   | 6  | 5   | 4   | 3  | 2 | 1 | 0 |
|---------------|-----|----|-----|-----|----|---|---|---|
| Features      | na  |    |     |     |    |   |   |   |
| Sector Count  | na  |    |     |     |    |   |   |   |
| Sector Number | na  |    |     |     |    |   |   |   |
| Cylinder Low  | na  |    |     |     |    |   |   |   |
| Cylinder High | na  |    |     |     |    |   |   |   |
| Device/Head   | obs | na | obs | DEV | na |   |   |   |
| Command       | 03h |    |     |     |    |   |   |   |

**8.2.5 Normal outputs**

The extended error code written into the Error register is an 8-bit code. Table 17 defines these values.

| Register      | 7                   | 6    | 5   | 4   | 3               | 2  | 1  | 0   |
|---------------|---------------------|------|-----|-----|-----------------|----|----|-----|
| Error         | Extended error code |      |     |     |                 |    |    |     |
| Sector Count  | Vendor specific     |      |     |     |                 |    |    |     |
| Sector Number | Vendor specific     |      |     |     |                 |    |    |     |
| Cylinder Low  | Vendor specific     |      |     |     |                 |    |    |     |
| Cylinder High | Vendor specific     |      |     |     |                 |    |    |     |
| Device/Head   | obs                 | na   | obs | DEV | Vendor specific |    |    |     |
| Status        | BSY                 | DRDY | na  | na  | na              | na | na | ERR |

Error register –  
 Extended error code.

Sector Number, Cylinder Low, Cylinder High, Device/Head –  
May contain additional information.

Status register –

BSY shall be cleared to zero indicating command completion.

DRDY shall be set to one.

ERR shall be cleared to zero.

**Table 17 - Extended error codes**

| Extended error code | Description                                   |
|---------------------|---|
| 00h                 | No error detected / no additional information |
| 01h                 | Self-test passed                              |
| 03h                 | Write / Erase failed                          |
| 05h                 | Self-test or diagnostic failed                |
| 09h                 | Miscellaneous error                           |
| 0Bh                 | Vendor specific                               |
| 0Ch                 | Corrupted media format                        |
| 0D-0Fh              | Vendor specific                               |
| 10h                 | ID Not Found / ID Error                       |
| 11h                 | Uncorrectable ECC error                       |
| 14h                 | ID Not Found                                  |
| 18h                 | Corrected ECC error                           |
| 1Dh, 1Eh            | Vendor specific                               |
| 1Fh                 | Data transfer error / command aborted         |
| 20h                 | Invalid command                               |
| 21h                 | Invalid address                               |
| 22-23h              | Vendor specific                               |
| 27h                 | Write protect violation                       |
| 2Fh                 | Address overflow (address too large)          |
| 30-34h              | Self-test or diagnostic failed                |
| 35h, 36h            | Supply or generated voltage out of tolerance  |
| 37h, 3Eh            | Self-test or diagnostic failed                |
| 38h                 | Corrupted media format                        |
| 39h                 | Vendor specific                               |
| 3Ah                 | Spare sectors exhausted                       |
| 3Bh 3Ch, 3Fh        | Corrupted media format                        |
| 3Dh                 | Vendor specific                               |
| All other values    | Reserved                                      |

### 8.2.6 Error outputs

| Register      | 7   | 6    | 5   | 4   | 3  | 2    | 1  | 0   |
|---------------|-----|------|-----|-----|----|------|----|-----|
| Error         | na  | na   | na  | na  | na | ABRT | na | na  |
| Sector Count  | na  |      |     |     |    |      |    |     |
| Sector Number | na  |      |     |     |    |      |    |     |
| Cylinder Low  | na  |      |     |     |    |      |    |     |
| Cylinder High | na  |      |     |     |    |      |    |     |
| Device/Head   | obs | na   | obs | DEV | na |      |    |     |
| Status        | BSY | DRDY | DF  | na  | na | na   | na | ERR |

Error Register –

ABRT shall be set to one if the command is not supported. ABRT may be set to one if the device is not able to complete the action requested by the command.

Status register –

BSY shall be cleared to zero indicating command completion.  
 DRDY shall be set to one.  
 DF (Device Fault) shall be set to one if a device fault has occurred.  
 ERR shall be set to one if an Error register bit is set to one.

### 8.2.7 Prerequisites

DRDY set to one.

### 8.2.8 Description

This command provides an extended error code which identifies the cause of an error condition in more detail than is available with Status and Error register values. The CFA REQUEST EXTENDED ERROR CODE command shall return an extended error code if the previous command completed with an error or a no error detected extended error code if the previous command completed without error.

## 8.3 CFA TRANSLATE SECTOR

### 8.3.1 Command code

87h

### 8.3.2 Feature set

CFA feature set.

- If the CFA feature set is implemented this command shall be implemented.

This command code is Vendor Specific for devices not implementing the CFA feature Set.

### 8.3.3 Protocol

PIO data-in command (see 9.5).

### 8.3.4 Inputs

| Register      | 7                    | 6   | 5   | 4   | 3                  | 2 | 1 | 0 |
|---------------|----------------------|-----|-----|-----|--------------------|---|---|---|
| Features      | na                   |     |     |     |                    |   |   |   |
| Sector Count  | na                   |     |     |     |                    |   |   |   |
| Sector Number | Sector number or LBA |     |     |     |                    |   |   |   |
| Cylinder Low  | Cylinder low or LBA  |     |     |     |                    |   |   |   |
| Cylinder High | Cylinder high or LBA |     |     |     |                    |   |   |   |
| Device/Head   | obs                  | LBA | obs | DEV | Head number or LBA |   |   |   |
| Command       | 87h                  |     |     |     |                    |   |   |   |

Sector Number –

sector number or LBA address bits (7:0).

Cylinder Low –

cylinder number bits (7:0) or LBA address bits (15:8).

Cylinder High –

cylinder number bits (15:8) or LBA address bits (23:16).

Device/Head –

bit 6 set to one if LBA address, cleared to zero if CHS address head number or LBA address bits (27:24).



### 8.3.5 Normal outputs

A 512 byte information table is transferred to the host. Table 18 defines these values.

| Register      | 7   | 6    | 5   | 4   | 3  | 2  | 1  | 0   |
|---------------|-----|------|-----|-----|----|----|----|-----|
| Error         | na  |      |     |     |    |    |    |     |
| Sector Count  | na  |      |     |     |    |    |    |     |
| Sector Number | na  |      |     |     |    |    |    |     |
| Cylinder Low  | na  |      |     |     |    |    |    |     |
| Cylinder High | na  |      |     |     |    |    |    |     |
| Device/Head   | obs | na   | obs | DEV | na |    |    |     |
| Status        | BSY | DRDY | na  | na  | na | na | na | ERR |

Status register –

BSY shall be cleared to zero indicating command completion.

DRDY shall be set to one.

ERR shall be cleared to zero.

**Table 18 - CFA TRANSLATE SECTOR Information**

| Byte   | Description   |
|--------|---|
| 00h    | Cylinder number MSB                                 |
| 01h    | Cylinder number LSB                                 |
| 02h    | Head number   |
| 03h    | Sector number                                       |
| 04h    | LBA bits (23:16)                                    |
| 05h    | LBA bits (15:8)                                     |
| 06h    | LBA bits (7:0)                                      |
| 07-12h | Reserved  |
| 13h    | Sector erased flag (FFh = erased; 00h = not erased) |
| 14-17h | Reserved  |
| 18h    | Sector write cycles count bits (23:16)              |
| 19h    | Sector write cycles count bits (15:8)               |
| 1Ah    | Sector write cycles count bits (7:0)                |
| 1B-FFh | Reserved  |

### 8.3.6 Error outputs

| Register      | 7   | 6    | 5   | 4   | 3  | 2    | 1  | 0   |
|---------------|-----|------|-----|-----|----|------|----|-----|
| Error         | na  | na   | na  | na  | na | ABRT | na | na  |
| Sector Count  | na  |      |     |     |    |      |    |     |
| Sector Number | na  |      |     |     |    |      |    |     |
| Cylinder Low  | na  |      |     |     |    |      |    |     |
| Cylinder High | na  |      |     |     |    |      |    |     |
| Device/Head   | obs | na   | obs | DEV | na |      |    |     |
| Status        | BSY | DRDY | DF  | na  | na | na   | na | ERR |

Error Register –

ABRT shall be set to one if the command is not supported. ABRT may be set to one if the device is not able to complete the action requested by the command.

Status register –

BSY shall be cleared to zero indicating command completion.

DRDY shall be set to one.

DF (Device Fault) shall be set to one if a device fault has occurred.

ERR shall be set to one if an Error register bit is set to one.

### 8.3.7 Prerequisites

DRDY set to one.

### 8.3.8 Description

This command provides information related to a specific sector. The data indicates the erased or not erased status of the sector, and the number of erase and write cycles performed on that sector. Devices may return zero in fields that do not apply or that are not supported by the device.

## 8.4 CFA WRITE MULTIPLE WITHOUT ERASE

### 8.4.1 Command code

CDh

### 8.4.2 Feature set

CFA feature set.

- If the CFA feature set is implemented this command shall be implemented.

### 8.4.3 Protocol

PIO data-out command (see 9.6).

### 8.4.4 Inputs

The Cylinder Low, Cylinder High, Device/Head, and Sector Number specify the starting sector address to be written. The Sector Count register specifies the number of sectors to be transferred.

| Register      | 7                    | 6   | 5   | 4   | 3                  | 2 | 1 | 0 |
|---------------|----------------------|-----|-----|-----|--------------------|---|---|---|
| Features      | na                   |     |     |     |                    |   |   |   |
| Sector Count  | Sector count         |     |     |     |                    |   |   |   |
| Sector Number | Sector number or LBA |     |     |     |                    |   |   |   |
| Cylinder Low  | Cylinder low or LBA  |     |     |     |                    |   |   |   |
| Cylinder High | Cylinder high or LBA |     |     |     |                    |   |   |   |
| Device/Head   | obs                  | LBA | obs | DEV | Head number or LBA |   |   |   |
| Command       | CDh                  |     |     |     |                    |   |   |   |

Sector Count –

number of sectors to be transferred. A value of 00h indicates that 256 sectors are to be transferred.

Sector Number –

starting sector number or LBA address bits (7:0).

Cylinder Low –

starting cylinder number bits (7:0) or LBA address bits (15:8).

Cylinder High –

starting cylinder number bits (15:8) or LBA address bits (23:16).

Device/Head –

bit 6 set to one if LBA address, cleared to zero if CHS address starting head number or LBA address bits (27:24).

### 8.4.5 Normal outputs

| Register      | 7   | 6    | 5   | 4   | 3  | 2  | 1  | 0   |
|---------------|-----|------|-----|-----|----|----|----|-----|
| Error         | na  |      |     |     |    |    |    |     |
| Sector Count  | na  |      |     |     |    |    |    |     |
| Sector Number | na  |      |     |     |    |    |    |     |
| Cylinder Low  | na  |      |     |     |    |    |    |     |
| Cylinder High | na  |      |     |     |    |    |    |     |
| Device/Head   | obs | na   | obs | DEV | na | na | na | na  |
| Status        | BSY | DRDY | na  | na  | na | na | na | ERR |

Status register –

BSY shall be cleared to zero indicating command completion.

DRDY shall be set to one.

ERR shall be cleared to zero.

### 8.4.6 Error outputs

The device shall return command aborted if the command is not supported. An unrecoverable error encountered during execution of this command results in the termination of the command. The command block registers contain the address of the sector where the first unrecovered error occurred. The amount of data transferred is indeterminate.

| Register      | 7                    | 6    | 5   | 4    | 3                  | 2    | 1  | 0   |
|---------------|----------------------|------|-----|------|--------------------|------|----|-----|
| Error         | na                   | na   | na  | IDNF | na                 | ABRT | na | MED |
| Sector Count  | na                   |      |     |      |                    |      |    |     |
| Sector Number | Sector number or LBA |      |     |      |                    |      |    |     |
| Cylinder Low  | Cylinder low or LBA  |      |     |      |                    |      |    |     |
| Cylinder High | Cylinder high or LBA |      |     |      |                    |      |    |     |
| Device/Head   | obs                  | na   | obs | DEV  | Head number or LBA |      |    |     |
| Status        | BSY                  | DRDY | DF  | na   | DRQ                | na   | na | ERR |

Error Register –

IDNF shall be set to one if a user-accessible address could not be found and after an unsuccessful INITIALIZE DEVICE PARAMETERS command until a valid CHS translation is established (see 8.16.8). IDNF shall be set to one if an address outside of the range of user-accessible addresses is requested if command aborted is not returned.

ABRT shall be set to one if the command is not supported. ABRT may be set to one if the device is not able to complete the action requested by the command. ABRT shall be set to one if an address outside of the range of user-accessible addresses is requested if IDNF is not set to one.

MED shall be set to one if a media error is detected

Sector Number, Cylinder Low, Cylinder High, Device/Head – shall be written with the address of first unrecoverable error.

Status register –

BSY shall be cleared to zero indicating command completion.

DRDY shall be set to one.

DF (Device Fault) shall be set to one if a device fault has occurred.

DRQ shall be cleared to zero.

ERR shall be set to one if an Error register bit is set to one.

### 8.4.7 Prerequisites

DRDY set to one. If bit 8 of IDENTIFY DEVICE word 59 is cleared to zero, a successful SET MULTIPLE MODE command shall precede a CFA WRITE MULTIPLE WITHOUT ERASE command.

### 8.4.8 Description

This command is similar to the WRITE MULTIPLE command. Interrupts are not generated on every sector, but on the transfer of a block that contains the number of sectors defined by the SET MULTIPLE MODE.

Command execution is identical to the WRITE MULTIPLE operation except that the sectors are written without an implied erase operation. The sectors should be pre-erased by a preceding CFA ERASE SECTORS command.

## 8.5 CFA WRITE SECTORS WITHOUT ERASE

### 8.5.1 Command code

38h

### 8.5.2 Feature set

CFA feature set.

- If the CFA feature set is implemented this command shall be implemented.

### 8.5.3 Protocol

PIO data-out command (see 9.6).

### 8.5.4 Inputs

The Cylinder Low, Cylinder High, Device/Head, and Sector Number specify the starting sector address to be written. The Sector Count register specifies the number of sectors to be transferred.

| Register      | 7                    | 6   | 5   | 4   | 3                  | 2 | 1 | 0 |
|---------------|----------------------|-----|-----|-----|--------------------|---|---|---|
| Features      | na                   |     |     |     |                    |   |   |   |
| Sector Count  | Sector count         |     |     |     |                    |   |   |   |
| Sector Number | Sector number or LBA |     |     |     |                    |   |   |   |
| Cylinder Low  | Cylinder low or LBA  |     |     |     |                    |   |   |   |
| Cylinder High | Cylinder high or LBA |     |     |     |                    |   |   |   |
| Device/Head   | obs                  | LBA | obs | DEV | Head number or LBA |   |   |   |
| Command       | 38h                  |     |     |     |                    |   |   |   |

Sector Count –

number of sectors to be transferred. A value of 00h indicates that 256 sectors are to be transferred.

Sector Number –

starting sector number or LBA address bits (7:0).

Cylinder Low –

starting cylinder number bits (7:0) or LBA address bits (15:8).

Cylinder High –

starting cylinder number bits (15:8) or LBA address bits (23:16).

Device/Head –

bit 6 set to one if LBA address, cleared to zero if CHS address starting head number or LBA address bits (27:24).

### 8.5.5 Normal outputs

| Register      | 7   | 6    | 5   | 4   | 3  | 2  | 1  | 0   |
|---------------|-----|------|-----|-----|----|----|----|-----|
| Error         | na  |      |     |     |    |    |    |     |
| Sector Count  | na  |      |     |     |    |    |    |     |
| Sector Number | na  |      |     |     |    |    |    |     |
| Cylinder Low  | na  |      |     |     |    |    |    |     |
| Cylinder High | na  |      |     |     |    |    |    |     |
| Device/Head   | obs | na   | obs | DEV | na | na | na | na  |
| Status        | BSY | DRDY | na  | na  | na | na | na | ERR |

Status register –

BSY shall be cleared to zero indicating command completion.

DRDY shall be set to one.

ERR shall be cleared to zero.

### 8.5.6 Error outputs

The device shall return command aborted if the command is not supported. An unrecoverable error encountered during execution of this command results in the termination of the command. The command block registers contain the address of the sector where the first unrecovered error occurred. The amount of data transferred is indeterminate.

| Register      | 7                    | 6    | 5   | 4    | 3                  | 2    | 1  | 0   |
|---------------|----------------------|------|-----|------|--------------------|------|----|-----|
| Error         | na                   | na   | na  | IDNF | na                 | ABRT | na | MED |
| Sector Count  | na                   |      |     |      |                    |      |    |     |
| Sector Number | Sector number or LBA |      |     |      |                    |      |    |     |
| Cylinder Low  | Cylinder low or LBA  |      |     |      |                    |      |    |     |
| Cylinder High | Cylinder high or LBA |      |     |      |                    |      |    |     |
| Device/Head   | obs                  | na   | obs | DEV  | Head number or LBA |      |    |     |
| Status        | BSY                  | DRDY | DF  | na   | DRQ                | na   | na | ERR |

Error Register –

IDNF shall be set to one if a user-accessible address could not be found and after an unsuccessful INITIALIZE DEVICE PARAMETERS command until a valid CHS translation is established (see 8.16.8). IDNF shall be set to one if an address outside of the range of user-accessible addresses is requested if command aborted is not returned.

ABRT shall be set to one if the command is not supported. ABRT may be set to one if the device is not able to complete the action requested by the command. ABRT shall be set to one if an address outside of the range of user-accessible addresses is requested if IDNF is not set to one.

MED shall be set to one if a media error is detected

Sector Number, Cylinder Low, Cylinder High, Device/Head – shall be written with the address of first unrecoverable error.

Status register –

BSY shall be cleared to zero indicating command completion.

DRDY shall be set to one.

DF (Device Fault) shall be set to one if a device fault has occurred.

DRQ shall be cleared to zero.

ERR shall be set to one if an Error register bit is set to one.

### 8.5.7 Prerequisites

DRDY set to one.

### 8.5.8 Description

This command is similar to the WRITE SECTORS command. Command execution is identical to the WRITE SECTORS operation except that the sectors are written without an implied erase operation. The sectors should be pre-erased by a preceding CFA ERASE SECTORS command.

## 8.6 CHECK POWER MODE

### 8.6.1 Command code

E5h

### 8.6.2 Feature set

Power Management feature set.

- Power Management feature set is mandatory when power management is not implemented by a PACKET power management feature set.
- This command is mandatory when the Power Management feature set is implemented.

### 8.6.3 Protocol

Non-data command (see 9.4).

### 8.6.4 Inputs

| Register      | 7   | 6  | 5   | 4   | 3  | 2  | 1  | 0  |
|---------------|-----|----|-----|-----|----|----|----|----|
| Features      | na  |    |     |     |    |    |    |    |
| Sector Count  | na  |    |     |     |    |    |    |    |
| Sector Number | na  |    |     |     |    |    |    |    |
| Cylinder Low  | na  |    |     |     |    |    |    |    |
| Cylinder High | na  |    |     |     |    |    |    |    |
| Device/Head   | obs | na | obs | DEV | na | na | na | na |
| Command       | E5h |    |     |     |    |    |    |    |

Device/Head register –

DEV shall indicate the selected device.

### 8.6.5 Normal outputs

| Register      | 7            | 6    | 5   | 4   | 3   | 2  | 1  | 0   |
|---------------|--------------|------|-----|-----|-----|----|----|-----|
| Error         | na           |      |     |     |     |    |    |     |
| Sector Count  | Result value |      |     |     |     |    |    |     |
| Sector Number | na           |      |     |     |     |    |    |     |
| Cylinder Low  | na           |      |     |     |     |    |    |     |
| Cylinder High | na           |      |     |     |     |    |    |     |
| Device/Head   | obs          | na   | obs | DEV | na  | na | na | na  |
| Status        | BSY          | DRDY | DF  | na  | DRQ | na | na | ERR |

Status register –

BSY shall be cleared to zero indicating command completion.

DRDY shall be set to one.  
 DF (Device Fault) shall be cleared to zero.  
 DRQ shall be cleared to zero.  
 ERR shall be cleared to zero.

Device/Head register –  
 DEV shall indicate the selected device.

Sector Count result value –  
 00h – device is in Standby mode.  
 80h – device is in Idle mode.  
 FFh – device is in Active mode or Idle mode.

### 8.6.6 Error outputs

The device shall return command aborted if the device does not support the Power Management feature set.

| Register      | 7   | 6    | 5   | 4   | 3   | 2    | 1  | 0   |
|---------------|-----|------|-----|-----|-----|------|----|-----|
| Error         | na  | na   | na  | na  | na  | ABRT | na | na  |
| Sector Count  | na  |      |     |     |     |      |    |     |
| Sector Number | na  |      |     |     |     |      |    |     |
| Cylinder Low  | na  |      |     |     |     |      |    |     |
| Cylinder High | na  |      |     |     |     |      |    |     |
| Device/Head   | obs | na   | obs | DEV | na  | na   | na | na  |
| Status        | BSY | DRDY | DF  | na  | DRQ | na   | na | ERR |

Error register –  
 ABRT shall be set to one if Power Management feature set is not supported. ABRT may be set to one if the device is not able to complete the action requested by the command.

Device/Head register –  
 DEV shall indicate the selected device.

Status register –  
 BSY shall be cleared to zero indicating command completion.  
 DRDY shall be set to one.  
 DF (Device Fault) shall be set to one if a device fault has occurred.  
 DRQ shall be cleared to zero.  
 ERR shall be set to one if an Error register bit is set to one.

### 8.6.7 Prerequisites

DRDY set to one.

### 8.6.8 Description

The CHECK POWER MODE command allows the host to determine the current power mode of the device. The CHECK POWER MODE command shall not cause the device to change power or affect the operation of the Standby timer.

## 8.7 DEVICE RESET

### 8.7.1 Command code

08h

### 8.7.2 Feature set

General feature set

- Use prohibited when the PACKET Command feature set is not implemented.
- Mandatory when the PACKET Command feature set is implemented.

### 8.7.3 Protocol

Device reset (see 9.11).

### 8.7.4 Inputs

| Register      | 7   | 6  | 5   | 4   | 3  | 2  | 1  | 0  |
|---------------|-----|----|-----|-----|----|----|----|----|
| Features      | na  |    |     |     |    |    |    |    |
| Sector Count  | na  |    |     |     |    |    |    |    |
| Sector Number | na  |    |     |     |    |    |    |    |
| Cylinder Low  | na  |    |     |     |    |    |    |    |
| Cylinder High | na  |    |     |     |    |    |    |    |
| Device/Head   | obs | na | obs | DEV | na | na | na | na |
| Command       | 08h |    |     |     |    |    |    |    |

Device/Head register –

DEV shall indicate the selected device.

### 8.7.5 Normal outputs

| Register      | 7                  | 6 | 5 | 4   | 3 | 2 | 1 | 0 |
|---------------|--------------------|---|---|-----|---|---|---|---|
| Error         | Diagnostic results |   |   |     |   |   |   |   |
| Sector Count  | signature          |   |   |     |   |   |   |   |
| Sector Number | signature          |   |   |     |   |   |   |   |
| Cylinder Low  | signature          |   |   |     |   |   |   |   |
| Cylinder High | signature          |   |   |     |   |   |   |   |
| Device/Head   | 0                  | 0 | 0 | DEV | 0 | 0 | 0 | 0 |
| Status        | see 9.11           |   |   |     |   |   |   |   |

Error register –

The diagnostic code as described in 8.9 is placed in this register.

Sector Count, Sector Number, Cylinder low, Cylinder High –

Signature (see 9.12).

Device/Head register –

DEV shall indicate the selected device.

Status register –

see 9.11.

### 8.7.6 Error outputs

If supported, this command shall not end in an error condition. If this command is not supported and the device has the BSY bit or the DRQ bit set to one when the command is written, the results of this command are



indeterminate. If this command is not supported and the device has the BSY bit and the DRQ bit cleared to zero when the command is written, the device shall respond command aborted.

### 8.7.7 Prerequisites

This command shall be accepted when BSY or DRQ is set to one, DRDY is cleared to zero, or DMARQ is asserted. This command shall be accepted when in Sleep mode.

### 8.7.8 Description

The DEVICE RESET command enables the host to reset an individual device without affecting the other device.

## 8.8 DOWNLOAD MICROCODE

### 8.8.1 Command code

92h

### 8.8.2 Feature set

General feature set

- Optional for devices not implementing the PACKET Command feature set.
- Use prohibited for devices implementing the PACKET Command feature set.

### 8.8.3 Protocol

PIO data-out (see 9.6).

### 8.8.4 Inputs

The head bits of the Device/Head register shall always be cleared to zero. The Cylinder High and Low registers shall be cleared to zero. The Sector Number and Sector Count registers are used together as a 16-bit sector count value. The Feature register specifies the subcommand code.

| Register      | 7                         | 6  | 5   | 4   | 3 | 2 | 1 | 0 |
|---------------|---------------------------|----|-----|-----|---|---|---|---|
| Features      | Subcommand code           |    |     |     |   |   |   |   |
| Sector Count  | Sector count (low order)  |    |     |     |   |   |   |   |
| Sector Number | Sector count (high order) |    |     |     |   |   |   |   |
| Cylinder Low  | 00h                       |    |     |     |   |   |   |   |
| Cylinder High | 00h                       |    |     |     |   |   |   |   |
| Device/Head   | obs                       | na | obs | DEV | 0 | 0 | 0 | 0 |
| Command       | 92h                       |    |     |     |   |   |   |   |

Device/Head register –  
DEV shall indicate the selected device.

### 8.8.5 Normal outputs

| Register      | 7   | 6    | 5   | 4   | 3   | 2  | 1  | 0   |
|---------------|-----|------|-----|-----|-----|----|----|-----|
| Error         | na  |      |     |     |     |    |    |     |
| Sector Count  | na  |      |     |     |     |    |    |     |
| Sector Number | na  |      |     |     |     |    |    |     |
| Cylinder Low  | na  |      |     |     |     |    |    |     |
| Cylinder High | na  |      |     |     |     |    |    |     |
| Device/Head   | obs | na   | obs | DEV | na  | na | na | na  |
| Status        | BSY | DRDY | DF  | na  | DRQ | na | na | ERR |

Device/Head register –

DEV shall indicate the selected device.

Status register –

BSY shall be cleared to zero indicating command completion.

DRDY shall be set to one.

DF (Device Fault) shall be cleared to zero.

DRQ shall be cleared to zero.

ERR shall be cleared to zero.

### 8.8.6 Error outputs

The device shall return command aborted if the device does not support this command or did not accept the microcode data. The device shall return command aborted if subcommand code is not a supported value.

| Register      | 7   | 6    | 5   | 4   | 3   | 2    | 1  | 0   |
|---------------|-----|------|-----|-----|-----|------|----|-----|
| Error         | na  | na   | na  | na  | na  | ABRT | na | na  |
| Sector Count  | na  |      |     |     |     |      |    |     |
| Sector Number | na  |      |     |     |     |      |    |     |
| Cylinder Low  | na  |      |     |     |     |      |    |     |
| Cylinder High | na  |      |     |     |     |      |    |     |
| Device/Head   | obs | na   | obs | DEV | na  | na   | na | na  |
| Status        | BSY | DRDY | DF  | na  | DRQ | na   | na | ERR |

Error register –

ABRT shall be set to one if the device does not support this command or did not accept the microcode data. ABRT may be set to one if the device is not able to complete the action requested by the command.

Device/Head register –

DEV shall indicate the selected device.

Status register –

BSY shall be cleared to zero indicating command completion.

DRDY shall be set to one.

DF (Device Fault) shall be set to one if a device fault has occurred.

DRQ shall be cleared to zero.

ERR shall be set to one if an Error register bit is set to one.

### 8.8.7 Prerequisites

DRDY set to one.

### 8.8.8 Description

This command enables the host to alter the device's microcode. The data transferred using the DOWNLOAD MICROCODE command is vendor specific.

All transfers shall be an integer multiple of the sector size. The size of the data transfer is determined by the contents of the Sector Number register and the Sector Count register. The Sector Number register shall be used to extend the Sector Count register to create a sixteen bit sector count value. The Sector Number register shall be the most significant eight bits and the Sector Count register shall be the least significant eight bits. A value of zero in both the Sector Number register and the Sector Count register shall indicate no data is to be transferred. This allows transfer sizes from 0 bytes to 33,553,920 bytes, in 512 byte increments.

The Features register shall be used to determine the effect of the DOWNLOAD MICROCODE command. The values for the Features register are:

- 01h – download is for immediate, temporary use.
- 07h – save downloaded code for immediate and future use.

Either or both values may be supported. All other values are reserved.

## 8.9 EXECUTE DEVICE DIAGNOSTIC

### 8.9.1 Command code

90h

### 8.9.2 Feature set

General feature set

- Mandatory for all devices.

### 8.9.3 Protocol

Device diagnostic (see 9.10).

### 8.9.4 Inputs

None. The device selection bit in the Device/Head register is ignored.

| Register      | 7   | 6  | 5   | 4  | 3  | 2  | 1  | 0  |
|---------------|-----|----|-----|----|----|----|----|----|
| Features      | na  |    |     |    |    |    |    |    |
| Sector Count  | na  |    |     |    |    |    |    |    |
| Sector Number | na  |    |     |    |    |    |    |    |
| Cylinder Low  | na  |    |     |    |    |    |    |    |
| Cylinder High | na  |    |     |    |    |    |    |    |
| Device/Head   | obs | na | obs | na | na | na | na | na |
| Command       | 90h |    |     |    |    |    |    |    |

Device/Head register –

DEV shall indicate the selected device.

### 8.9.5 Normal outputs

The diagnostic code written into the Error register is an 8-bit code. Table 19 defines these values. The values of the bits in the Error register are not as defined in 7.11.6.

| Register      | 7               | 6 | 5 | 4 | 3 | 2 | 1 | 0 |
|---------------|-----------------|---|---|---|---|---|---|---|
| Error         | Diagnostic code |   |   |   |   |   |   |   |
| Sector Count  | Signature       |   |   |   |   |   |   |   |
| Sector Number | Signature       |   |   |   |   |   |   |   |
| Cylinder Low  | Signature       |   |   |   |   |   |   |   |
| Cylinder High | Signature       |   |   |   |   |   |   |   |
| Device/Head   | Signature       |   |   |   |   |   |   |   |
| Status        | see 9.10        |   |   |   |   |   |   |   |

Error register –

Diagnostic code.

Sector Count, Sector number, Cylinder Low, Cylinder High, Device/Head registers –  
device signature (see 9.12).

Device/Head register –

DEV shall indicate the selected device.

Status register –

see 9.10.

**Table 19 - Diagnostic codes**

| Code (see note 1)  | Description                                     |
|--|---|
| <b>When this code is in the Device 0 Error register</b>  |   |
| 01h  | Device 0 passed, Device 1 passed or not present |
| 00h, 02h-7Fh   | Device 0 failed, Device 1 passed or not present |
| 81h  | Device 0 passed, Device 1 failed                |
| 80h, 82h-FFh   | Device 0 failed, Device 1 failed                |
| <b>When this code is in the Device 1 Error register</b>  |   |
| 01h  | Device 1 passed (see note 2)                    |
| 00h,02h-7Fh  | Device 1 failed (see note 2)                    |
| NOTE –   |   |
| 1 Codes other than 01h and 81h may indicate additional information about the failure(s).                       |   |
| 2 If Device 1 is not present, the host may see the information from Device 0 even though Device 1 is selected. |   |

### 8.9.6 Error outputs

Table 19 shows the error information that is returned as a diagnostic code in the Error register.

### 8.9.7 Prerequisites

This command shall be accepted regardless of the state of DRDY.

### 8.9.8 Description

This command shall perform the internal diagnostic tests implemented by the device. The DEV bit in the Device/Head register is ignored. Both devices, if present, shall execute this command regardless of which device is selected.

If the host issues an EXECUTE DEVICE DIAGNOSTIC command while a device is in or going to a power management mode except Sleep, then the device shall execute the EXECUTE DEVICE DIAGNOSTIC sequence.

## 8.10 FLUSH CACHE

### 8.10.1 Command code

E7h

### 8.10.2 Feature set

General feature set

- Mandatory for all devices.

### 8.10.3 Protocol

Non-data command (see 9.4).

### 8.10.4 Inputs

| Register      | 7   | 6  | 5   | 4   | 3  | 2  | 1  | 0  |
|---------------|-----|----|-----|-----|----|----|----|----|
| Features      | na  |    |     |     |    |    |    |    |
| Sector Count  | na  |    |     |     |    |    |    |    |
| Sector Number | na  |    |     |     |    |    |    |    |
| Cylinder Low  | na  |    |     |     |    |    |    |    |
| Cylinder High | na  |    |     |     |    |    |    |    |
| Device/Head   | obs | na | obs | DEV | na | na | na | na |
| Command       | E7h |    |     |     |    |    |    |    |

Device/Head register –

DEV shall indicate the selected device.

### 8.10.5 Normal outputs

| Register      | 7   | 6    | 5   | 4   | 3   | 2  | 1  | 0   |
|---------------|-----|------|-----|-----|-----|----|----|-----|
| Error         | na  |      |     |     |     |    |    |     |
| Sector Count  | na  |      |     |     |     |    |    |     |
| Sector Number | na  |      |     |     |     |    |    |     |
| Cylinder Low  | na  |      |     |     |     |    |    |     |
| Cylinder High | na  |      |     |     |     |    |    |     |
| Device/Head   | obs | na   | obs | DEV | na  | na | na | na  |
| Status        | BSY | DRDY | DF  | na  | DRQ | na | na | ERR |

Device/Head register –

DEV shall indicate the selected device.

Status register –

BSY shall be cleared to zero indicating command completion.

DRDY shall be set to one.

DF (Device Fault) shall be cleared to zero.

DRQ shall be cleared to zero.

ERR shall be cleared to zero.

### 8.10.6 Error outputs

An unrecoverable error encountered during execution of writing data results in the termination of the command and the Command Block registers contain the sector address of the sector where the first unrecoverable error occurred. The sector is removed from the cache. Subsequent FLUSH CACHE commands continue the process of flushing the cache.

| Register      | 7                    | 6    | 5   | 4   | 3                  | 2    | 1  | 0   |
|---------------|----------------------|------|-----|-----|--------------------|------|----|-----|
| Error         | na                   | na   | na  | na  | na                 | ABRT | na | na  |
| Sector Count  | na                   |      |     |     |                    |      |    |     |
| Sector Number | Sector number or LBA |      |     |     |                    |      |    |     |
| Cylinder Low  | Cylinder low or LBA  |      |     |     |                    |      |    |     |
| Cylinder High | Cylinder high or LBA |      |     |     |                    |      |    |     |
| Device/Head   | obs                  | na   | obs | DEV | Head number or LBA |      |    |     |
| Status        | BSY                  | DRDY | DF  | na  | DRQ                | na   | na | ERR |

Error register –

ABRT may be set to one if the device is not able to complete the action requested by the command.

Sector Number, Cylinder Low, Cylinder High, Device/Head –

shall be written with the address of the first unrecoverable error.

Device/Head register –

DEV shall indicate the selected device.

Status register –

BSY shall be cleared to zero indicating command completion.

DRDY shall be set to one.

DF (Device Fault) shall be set to one if a device fault has occurred.

DRQ shall be cleared to zero.

ERR shall be set to one if an Error register bit is set to one.

### 8.10.7 Prerequisites

DRDY set to one.

### 8.10.8 Description

This command is used by the host to request the device to flush the write cache. If the write cache is to be flushed, all data cached shall be written to the media. The BSY bit shall remain set to one until all data has been successfully written or an error occurs. The device should use all error recovery methods available to ensure the data is written successfully. The flushing of write cache may take several seconds to complete depending upon the amount of data to be flushed and the success of the operation.

NOTE – This command may take longer than 30 s to complete.

## 8.11 GET MEDIA STATUS

### 8.11.1 Command code

DAh

### 8.11.2 Feature set

Removable Media Status Notification feature set

- Mandatory for devices implementing the Removable Media Status Notification feature set.

Removable Media feature set

- Optional for devices implementing the Removable Media feature set.

### 8.11.3 Protocol

Non-data command (see 9.4).

### 8.11.4 Inputs

| Register      | 7   | 6  | 5   | 4   | 3  | 2  | 1  | 0  |
|---------------|-----|----|-----|-----|----|----|----|----|
| Features      | na  |    |     |     |    |    |    |    |
| Sector Count  | na  |    |     |     |    |    |    |    |
| Sector Number | na  |    |     |     |    |    |    |    |
| Cylinder Low  | na  |    |     |     |    |    |    |    |
| Cylinder High | na  |    |     |     |    |    |    |    |
| Device/Head   | obs | na | obs | DEV | na | na | na | na |
| Command       | DAh |    |     |     |    |    |    |    |

Device/Head register –

DEV shall indicate the selected device.

### 8.11.5 Normal outputs

Normal outputs are returned if Media Status Notification is disabled or if no bits are set to one in the Error register.

| Register      | 7   | 6    | 5   | 4   | 3   | 2  | 1  | 0   |
|---------------|-----|------|-----|-----|-----|----|----|-----|
| Error         | na  |      |     |     |     |    |    |     |
| Sector Count  | na  |      |     |     |     |    |    |     |
| Sector Number | na  |      |     |     |     |    |    |     |
| Cylinder Low  | na  |      |     |     |     |    |    |     |
| Cylinder High | na  |      |     |     |     |    |    |     |
| Device/Head   | obs | na   | obs | DEV | na  | na | na | na  |
| Status        | BSY | DRDY | DF  | na  | DRQ | na | na | ERR |

Device/Head register –

DEV shall indicate the selected device.

Status register –

BSY shall be cleared to zero indicating command completion.

DRDY shall be set to one.

DF (Device Fault) shall be cleared to zero.

DRQ shall be cleared to zero.

ERR shall be cleared to zero.

### 8.11.6 Error outputs

If the device does not support this command, the device shall return command aborted.

| Register      | 7   | 6    | 5   | 4   | 3   | 2    | 1  | 0   |
|---------------|-----|------|-----|-----|-----|------|----|-----|
| Error         | na  | WP   | MC  | na  | MCR | ABRT | NM | obs |
| Sector Count  | na  |      |     |     |     |      |    |     |
| Sector Number | na  |      |     |     |     |      |    |     |
| Cylinder Low  | na  |      |     |     |     |      |    |     |
| Cylinder High | na  |      |     |     |     |      |    |     |
| Device/Head   | obs | na   | obs | DEV | na  | na   | na | na  |
| Status        | BSY | DRDY | DF  | na  | DRQ | na   | na | ERR |

#### Error register –

ABRT shall be set to one if device does not support this command. ABRT may be set to one if the device is not able to complete the action requested by the command.

NM (No Media) shall be set to one if no media is present in the device. This bit shall be set to one for each execution of GET MEDIA STATUS until media is inserted into the device.

MCR (Media Change Request) shall be set to one if the eject button is pressed by the user and detected by the device. The device shall reset this bit after each execution of the GET MEDIA STATUS command and only set the bit again for subsequent eject button presses.

MC (Media Change) shall be set to one when the device detects media has been inserted. The device shall reset this bit after each execution of the GET MEDIA STATUS command and only set the bit again for subsequent media insertions.

WP (Write Protect) shall be set to one for each execution of GET MEDIA STATUS while the media is write protected.

#### Device/Head register –

DEV shall indicate the selected device.

#### Status register –

BSY shall be cleared to zero indicating command completion.

DRDY shall be set to one.

DF (Device Fault) shall be set to one if a device fault has occurred.

DRQ shall be cleared to zero.

ERR shall be set to one if an Error register bit is set to one.

### 8.11.7 Prerequisites

DRDY set to one.

### 8.11.8 Description

This command returns media status bits WP, MC, MCR, and NM, as defined above. When Media Status Notification is disabled this command returns zeros in the WP, MC, MCR, and NM bits.

## 8.12 IDENTIFY DEVICE

### 8.12.1 Command code

ECh

### 8.12.2 Feature set

General feature set

- Mandatory for all devices.
- Devices implementing the PACKET Command feature set (see 8.12.5.2).



### 8.12.3 Protocol

PIO data-in (see 9.5).

### 8.12.4 Inputs

| Register      | 7   | 6  | 5   | 4   | 3  | 2  | 1  | 0  |
|---------------|-----|----|-----|-----|----|----|----|----|
| Features      | na  |    |     |     |    |    |    |    |
| Sector Count  | na  |    |     |     |    |    |    |    |
| Sector Number | na  |    |     |     |    |    |    |    |
| Cylinder Low  | na  |    |     |     |    |    |    |    |
| Cylinder High | na  |    |     |     |    |    |    |    |
| Device/Head   | obs | na | obs | DEV | na | na | na | na |
| Command       | ECh |    |     |     |    |    |    |    |

Device/Head register –  
DEV shall indicate the selected device.

### 8.12.5 Outputs

#### 8.12.5.1 Normal outputs

| Register      | 7   | 6    | 5   | 4   | 3   | 2  | 1  | 0   |
|---------------|-----|------|-----|-----|-----|----|----|-----|
| Error         | na  |      |     |     |     |    |    |     |
| Sector Count  | na  |      |     |     |     |    |    |     |
| Sector Number | na  |      |     |     |     |    |    |     |
| Cylinder Low  | na  |      |     |     |     |    |    |     |
| Cylinder High | na  |      |     |     |     |    |    |     |
| Device/Head   | obs | na   | obs | DEV | na  | na | na | na  |
| Status        | BSY | DRDY | DF  | na  | DRQ | na | na | ERR |

Device/Head register –  
DEV shall indicate the selected device.

Status register –  
BSY shall be cleared to zero indicating command completion.  
DRDY shall be set to one.  
DF (Device Fault) shall be cleared to zero.  
DRQ shall be cleared to zero.  
ERR shall be cleared to zero.

#### 8.12.5.2 Outputs for PACKET Command feature set devices

In response to this command, devices that implement the PACKET Command feature set shall post command aborted and place the PACKET Command feature set signature in the Command Block registers (see 9.12).

### 8.12.6 Error outputs

Devices not implementing the PACKET Command feature set shall not report an error.

### 8.12.7 Prerequisites

DRDY set to one.

### 8.12.8 Description

The IDENTIFY DEVICE command enables the host to receive parameter information from the device.

Some devices may have to read the media in order to complete this command.

When the command is issued, the device sets the BSY bit to one, prepares to transfer the 256 words of device identification data to the host, sets the DRQ bit to one, clears the BSY bit to zero, and asserts INTRQ if nIEN is cleared to zero. The host may then transfer the data by reading the Data register. Table 20 defines the arrangement and meaning of the parameter words in the buffer. All reserved bits or words shall be zero.

Some parameters are defined as a 16-bit value. A word that is defined as a 16-bit value places the most significant bit of the value on bit DD15 and the least significant bit on bit DD0.

Some parameters are defined as 32-bit values (e.g., words 57 and 58). Such fields are transferred using two successive word transfers. The device shall first transfer the least significant bits, bits 15 through 0 of the value, on bits DD (15:0) respectively. After the least significant bits have been transferred, the most significant bits, bits 31 through 16 of the value, shall be transferred on DD (15:0) respectively.

Some parameters are defined as a string of ASCII characters. ASCII data fields shall contain only graphic codes (i.e., code values 20h through 7Eh). For the string "Copyright", the character "C" is the first byte, the character "o" is the second byte, etc. When such fields are transferred, the order of transmission is:

the 1<sup>st</sup> character ("C") is on bits DD (15:8) of the first word,  
the 2<sup>nd</sup> character ("o") is on bits DD (7:0) of the first word,  
the 3<sup>rd</sup> character ("p") is on bits DD (15:8) of the second word,  
the 4<sup>th</sup> character ("y") is on bits DD (7:0) of the second word,  
the 5<sup>th</sup> character ("r") is on bits DD (15:8) of the third word,  
the 6<sup>th</sup> character ("i") is on bits DD (7:0) of the third word,  
the 7<sup>th</sup> character ("g") is on bits DD (15:8) of the fourth word,  
the 8<sup>th</sup> character ("h") is on bits DD (7:0) of the fourth word,  
the 9<sup>th</sup> character ("t") is on bits DD (15:8) of the fifth word,  
the 10<sup>th</sup> character ("space") is on bits DD (7:0) of the fifth word,

Table 20 - IDENTIFY DEVICE information

| Word  | F/V |   |
|-------|-----|---|
| 0     | F   | General configuration bit-significant information:<br>15 0 = ATA device   |
|       | F   | 14-8 Retired  |
|       | F   | 7 1 = removable media device  |
|       | F   | 6 1 = not removable controller and/or device  |
|       | F   | 5-3 Retired   |
|       | V   | 2 Response incomplete   |
|       | F   | 1 Retired   |
|       | F   | 0 Reserved  |
| 1     | V   | Number of logical cylinders   |
| 2     | V   | Specific configuration  |
| 3     | F   | Number of logical heads   |
| 4-5   | F   | Retired   |
| 6     | F   | Number of logical sectors per logical track   |
| 7-8   | V   | Reserved for assignment by the CompactFlash™ Association  |
| 9     | F   | Retired   |
| 10-19 | F   | Serial number (20 ASCII characters)   |
| 20-21 | F   | Retired   |
| 22    | F   | Obsolete  |
| 23-26 | F   | Firmware revision (8 ASCII characters)  |
| 27-46 | F   | Model number (40 ASCII characters)  |
| 47    | X   | 15-8 80h  |
|       | R   | 7-0 00h = Reserved  |
|       | F   | 01h-FFh = Maximum number of sectors that shall be transferred per interrupt on READ/WRITE MULTIPLE commands   |
| 48    | R   | Reserved  |
| 49    | R   | Capabilities<br>15-14 Reserved for the IDENTIFY PACKET DEVICE command.  |
|       | F   | 13 1 = Standby timer values as specified in this standard are supported<br>0 = Standby timer values shall be managed by the device  |
|       | R   | 12 Reserved for the IDENTIFY PACKET DEVICE command.   |
|       | F   | 11 1 = IORDY supported<br>0 = IORDY may be supported  |
|       | F   | 10 1 = IORDY may be disabled  |
|       | R   | 9 Shall be set to one. Utilized by IDENTIFY PACKET DEVICE command.  |
|       | R   | 8 Shall be set to one. Utilized by IDENTIFY PACKET DEVICE command.  |
|       | X   | 7-0 Retired   |
| 50    | F   | Capabilities<br>15 Shall be cleared to zero.<br>14 Shall be set to one.<br>13-1 Reserved.<br>0 Shall be set to one to indicate a device specific Standby timer value minimum. |
| 51-52 | F   | Obsolete  |
| 53    | R   | 15-3 Reserved   |
|       | F   | 2 1 = the fields reported in word 88 are valid<br>0 = the fields reported in word 88 are not valid  |
|       | F   | 1 1 = the fields reported in words 64-70 are valid<br>0 = the fields reported in words 64-70 are not valid  |
|       | V   | 0 1 = the fields reported in words 54-58 are valid<br>0 = the fields reported in words 54-58 are not valid  |
| 54    | V   | Number of current logical cylinders   |

(continued)

**Table 20 - IDENTIFY DEVICE information** *(continued)*

| Word  | F/V |   |
|-------|-----|---|
| 55    | V   | Number of current logical heads   |
| 56    | V   | Number of current logical sectors per track   |
| 57-58 | V   | Current capacity in sectors   |
| 59    | R   | 15-9 Reserved   |
|       | V   | 8 1 = Multiple sector setting is valid  |
|       | V   | 7-0 Xxh = Current setting for number of sectors that shall be transferred per interrupt on R/W Multiple command |
| 60-61 | F   | Total number of user addressable sectors (LBA mode only)  |
| 62    | F   | Obsolete  |
| 63    | R   | 15-11 Reserved  |
|       | V   | 10 1 = Multiword DMA mode 2 is selected<br>0 = Multiword DMA mode 2 is not selected                             |
|       | V   | 9 1 = Multiword DMA mode 1 is selected<br>0 = Multiword DMA mode 1 is not selected                              |
|       | V   | 8 1 = Multiword DMA mode 0 is selected<br>0 = Multiword DMA mode 0 is not selected                              |
|       | R   | 7-3 Reserved  |
|       | F   | 2 1 = Multiword DMA mode 2 and below are supported  |
|       | F   | 1 1 = Multiword DMA mode 1 and below are supported  |
|       | F   | 0 1 = Multiword DMA mode 0 is supported   |
| 64    | R   | 15-8 Reserved   |
|       | F   | 7-0 Advanced PIO modes supported  |
| 65    | F   | Minimum Multiword DMA transfer cycle time per word  |
|       |     | 15-0 Cycle time in nanoseconds  |
| 66    | F   | Manufacturer's recommended Multiword DMA transfer cycle time  |
|       |     | 15-0 Cycle time in nanoseconds  |
| 67    | F   | Minimum PIO transfer cycle time without flow control  |
|       |     | 15-0 Cycle time in nanoseconds  |
| 68    | F   | Minimum PIO transfer cycle time with IORDY flow control   |
|       |     | 15-0 Cycle time in nanoseconds  |
| 69-70 | R   | Reserved (for future command overlap and queuing)   |
| 71-74 | R   | Reserved for IDENTIFY PACKET DEVICE command.  |
| 75    | F   | Queue depth   |
|       |     | 15-5 Reserved   |
|       |     | 4-0 Maximum queue depth – 1   |
| 76-79 | R   | Reserved  |

*(continued)*

**Table 20 - IDENTIFY DEVICE information** *(continued)*

| Word | F/V |   |
|------|-----|---|
| 80   | F   | Major version number<br>0000h or FFFFh = device does not report version<br>15 Reserved<br>14 Reserved for ATA/ATAPI-14<br>13 Reserved for ATA/ATAPI-13<br>12 Reserved for ATA/ATAPI-12<br>11 Reserved for ATA/ATAPI-11<br>10 Reserved for ATA/ATAPI-10<br>9 Reserved for ATA/ATAPI-9<br>8 Reserved for ATA/ATAPI-8<br>7 Reserved for ATA/ATAPI-7<br>6 Reserved for ATA/ATAPI-6<br>5 1 = supports ATA/ATAPI-5<br>4 1 = supports ATA/ATAPI-4<br>3 1 = supports ATA-3<br>2 1 = supports ATA-2<br>1 Obsolete<br>0 Reserved  |
| 81   | F   | Minor version number<br>0000h or FFFFh = device does not report version<br>0001h-FFFEh = see 8.12.44  |
| 82   | F   | Command set supported.<br>15 Obsolete<br>14 1 = NOP command supported<br>13 1 = READ BUFFER command supported<br>12 1 = WRITE BUFFER command supported<br>11 Obsolete<br>10 1 = Host Protected Area feature set supported<br>9 1 = DEVICE RESET command supported<br>8 1 = SERVICE interrupt supported<br>7 1 = release interrupt supported<br>6 1 = look-ahead supported<br>5 1 = write cache supported<br>4 Shall be cleared to zero<br>3 1 = supports Power Management feature set<br>2 1 = supports Removable Media feature set<br>1 1 = supports Security Mode feature set<br>0 1 = supports SMART feature set |
| 83   | F   | Command sets supported.<br>15 Shall be cleared to zero<br>14 Shall be set to one<br>13-9 Reserved<br>8 1 = SET MAX security extension supported<br>7 Reserved for project 1407DT Address Offset Reserved Area Boot<br>6 1 = SET FEATURES subcommand required to spinup after power-up<br>5 1 = Power-Up In Standby feature set supported<br>4 1 = Removable Media Status Notification feature set supported<br>3 1 = Advanced Power Management feature set supported<br>2 1 = CFA feature set supported<br>1 1 = READ/WRITE DMA QUEUED supported<br>0 1 = DOWNLOAD MICROCODE command supported                      |

*(continued)*

**Table 20 - IDENTIFY DEVICE information (continued)**

| Word | F/V  |  |
|------|--|--|
| 84   | F  | Command set/feature supported extension.<br>15 Shall be cleared to zero<br>14 Shall be set to one<br>13-0 Reserved   |
| 85   | V  | Command set/feature enabled.<br>15 Obsolete<br>14 1 = NOP command enabled<br>13 1 = READ BUFFER command enabled<br>12 1 = WRITE BUFFER command enabled<br>11 Obsolete<br>10 1 = Host Protected Area feature set enabled<br>9 1 = DEVICE RESET command enabled<br>8 1 = SERVICE interrupt enabled<br>7 1 = release interrupt enabled<br>6 1 = look-ahead enabled<br>5 1 = write cache enabled<br>4 Shall be cleared to zero<br>3 1 = Power Management feature set enabled<br>2 1 = Removable Media feature set enabled<br>1 1 = Security Mode feature set enabled<br>0 1 = SMART feature set enabled  |
| 86   | V  | Command set/feature enabled.<br>15-9 Reserved<br>8 1 = SET MAX security extension enabled by SET MAX SET PASSWORD<br>7 Reserved for project 1407DT Address Offset Reserved Area Boot<br>6 1 = SET FEATURES subcommand required to spin-up after power-up<br>5 1 = Power-Up In Standby feature set enabled<br>4 1 = Removable Media Status Notification feature set enabled<br>3 1 = Advanced Power Management feature set enabled<br>2 1 = CFA feature set enabled<br>1 1 = READ/WRITE DMA QUEUED command supported<br>0 1 = DOWNLOAD MICROCODE command supported  |
| 87   | V  | Command set/feature default.<br>15 Shall be cleared to zero<br>14 Shall be set to one<br>13-0 Reserved   |
| 88   | R<br>V<br>V<br>V<br>V<br>V<br>R<br>F<br>F<br>F<br>F<br>F | 15-13 Reserved<br>12 1 = Ultra DMA mode 4 is selected<br>0 = Ultra DMA mode 4 is not selected<br>11 1 = Ultra DMA mode 3 is selected<br>0 = Ultra DMA mode 3 is not selected<br>10 1 = Ultra DMA mode 2 is selected<br>0 = Ultra DMA mode 2 is not selected<br>9 1 = Ultra DMA mode 1 is selected<br>0 = Ultra DMA mode 1 is not selected<br>8 1 = Ultra DMA mode 0 is selected<br>0 = Ultra DMA mode 0 is not selected<br>7-5 Reserved<br>4 1 = Ultra DMA mode 4 and below are supported<br>3 1 = Ultra DMA mode 3 and below are supported<br>2 1 = Ultra DMA mode 2 and below are supported<br>1 1 = Ultra DMA mode 1 and below are supported<br>0 1 = Ultra DMA mode 0 is supported |

(continued)

**Table 20 - IDENTIFY DEVICE information** (continued)

| Word   | F/V |  |
|--------|-----|--|
| 89     | F   | Time required for security erase unit completion   |
| 90     | F   | Time required for Enhanced security erase completion   |
| 91     | V   | Current advanced power management value  |
| 92     | V   | Master Password Revision Code  |
| 93     | V   | <p>Hardware reset result. The contents of bits 12-0 of this word shall change only during the execution of a hardware reset.</p> <p>15 Shall be cleared to zero.</p> <p>14 Shall be set to one.</p> <p>13 1 = device detected CBLID- above <math>V_{IH}</math><br/>0 = device detected CBLID- below <math>V_{IL}</math></p> <p>12-8 Device 1 hardware reset result. Device 0 shall clear these bits to zero. Device 1 shall set these bits as follows:</p> <p>12 Reserved.</p> <p>11 0 = Device 1 did not assert PDIAG-.<br/>1 = Device 1 asserted PDIAG-.</p> <p>10-9 These bits indicate how Device 1 determined the device number:<br/>00 = Reserved.<br/>01 = a jumper was used.<br/>10 = the CSEL signal was used.<br/>11 = some other method was used or the method is unknown.</p> <p>8 Shall be set to one.</p> <p>7-0 Device 0 hardware reset result. Device 1 shall clear these bits to zero. Device 0 shall set these bits as follows:</p> <p>7 Reserved.</p> <p>6 0 = Device 0 does not respond when Device 1 is selected.<br/>1 = Device 0 responds when Device 1 is selected.</p> <p>5 0 = Device 0 did not detect the assertion of DASP-.<br/>1 = Device 0 detected the assertion of DASP-.</p> <p>4 0 = Device 0 did not detect the assertion of PDIAG-.<br/>1 = Device 0 detected the assertion of PDIAG-.</p> <p>3 0 = Device 0 failed diagnostics.<br/>1 = Device 0 passed diagnostics.</p> <p>2-1 These bits indicate how Device 0 determined the device number:<br/>00 = Reserved.<br/>01 = a jumper was used.<br/>10 = the CSEL signal was used.<br/>11 = some other method was used or the method is unknown.</p> <p>0 Shall be set to one.</p> |
| 94-126 | R   | Reserved   |
| 127    | F   | <p>Removable Media Status Notification feature set support</p> <p>15-2 Reserved</p> <p>1-0 00 = Removable Media Status Notification feature set not supported<br/>01 = Removable Media Status Notification feature supported<br/>10 = Reserved<br/>11 = Reserved</p>   |

(continued)

**Table 20 - IDENTIFY DEVICE information (concluded)**

| Word   | F/V |   |
|--|-----|---|
| 128  | V   | Security status<br>15-9 Reserved<br>8 Security level 0 = High, 1 = Maximum<br>7-6 Reserved<br>5 1 = Enhanced security erase supported<br>4 1 = Security count expired<br>3 1 = Security frozen<br>2 1 = Security locked<br>1 1 = Security enabled<br>0 1 = Security supported |
| 129-159  | X   | Vendor specific   |
| 160  | V   | CFA power mode 1<br>15 Word 160 supported<br>14 Reserved<br>13 CFA power mode 1 is required for one or more commands implemented by the device<br>12 CFA power mode 1 disabled<br>11-0 Maximum current in ma  |
| 161-175  | R   | Reserved for assignment by the CompactFlash™ Association  |
| 176-254  | R   | Reserved  |
| 255  | F/V | Integrity word<br>15-8 Checksum<br>7-0 Signature  |
| Key:<br>F = the content of the word is fixed and does not change. For removable media devices, these values may change when media is removed or changed.<br>V = the contents of the word is variable and may change depending on the state of the device or the commands executed by the device.<br>X = the content of the word is vendor specific and may be fixed or variable.<br>R = the content of the word is reserved and shall be zero. |     |   |

**8.12.9 Word 0: General configuration**

Devices that conform to this standard shall clear bit 15 to zero.

If bit 2 is set to one it indicates that the content of the IDENTIFY DEVICE response is incomplete. This will occur if the device supports the Power-up in Standby feature set and required data is contained on the device media. In this case the content of at least words 0 and 2 shall be valid.

Devices reporting a value of 848Ah in this word shall support the CFA feature set.

**8.12.10 Word 1: Number of cylinders**

This word contains the number of user-addressable logical cylinders in the default CHS translation (see 6.2).

**8.12.11 Word 2: Specific configuration.**

Word 2 shall be set as follows:



| Value            | Description  |
|------------------|--|
| 37C8h            | Device requires SET FEATURES subcommand to spin-up after power-up and IDENTIFY DEVICE response is incomplete (see 6.18).         |
| 738Ch            | Device requires SET FEATURES subcommand to spin-up after power-up and IDENTIFY DEVICE response is complete (see 6.18).           |
| 8C73h            | Device does not require SET FEATURES subcommand to spin-up after power-up and IDENTIFY DEVICE response is incomplete (see 6.18). |
| C837h            | Device does not require SET FEATURES subcommand to spin-up after power-up and IDENTIFY DEVICE response is complete (see 6.18).   |
| All other values | Reserved.  |

#### 8.12.12 Word 3: Number of logical heads

This word contains the number of user-addressable logical heads per logical cylinder in the default CHS translation (see 6.2).

#### 8.12.13 Word 4-5: Retired.

#### 8.12.14 Word 6: Number of logical sectors per logical track

This word contains the number of user-addressable logical sectors per logical track in the default CHS translation (see 6.2).

#### 8.12.15 Words 7-8: Reserved for assignment by the CompactFlash<sup>®</sup> Association

#### 8.12.16 Word 9: Retired.

#### 8.12.17 Words 10-19: Serial number

This field contains the serial number of the device. The contents of this field is an ASCII character string of twenty bytes. The device shall pad the character string with spaces (20h), if necessary, to ensure that the string is the proper length. The combination of Serial number (words 10-19) and Model number (words 27-46) shall be unique for a given manufacturer.

#### 8.12.18 Word 20-21: Retired.

#### 8.12.19 Word 22: Obsolete.

#### 8.12.20 Word 23-26: Firmware revision

This field contains the firmware revision number of the device. The contents of this field is an ASCII character string of eight bytes. The device shall pad the character string with spaces (20h), if necessary, to ensure that the string is the proper length.

#### 8.12.21 Words 27-46: Model number

This field contains the model number of the device. The contents of this field is an ASCII character string of forty bytes. The device shall pad the character string with spaces (20h), if necessary, to ensure that the string is the proper length. The combination of Serial number (words 10-19) and Model number (words 27-46) shall be unique for a given manufacturer.

#### **8.12.22 Word 47: READ/WRITE MULTIPLE support.**

Bits 7-0 of this word define the maximum number of sectors per block that the device supports for READ/WRITE MULTIPLE commands.

#### **8.12.23 Word 48: Reserved.**

#### **8.12.24 Word 49-50: Capabilities**

Bits 15 and 14 of word 49 are reserved for use in the IDENTIFY PACKET DEVICE command response.

Bit 13 of word 49 is used to determine whether a device utilizes the Standby timer values as defined in this standard. Table 23 specifies the Standby timer values utilized by the device if bit 13 is set to one. If bit 13 is cleared to zero, the timer values shall be vendor specific.

Bit 12 of word 49 is reserved for use in the IDENTIFY PACKET DEVICE command response.

Bit 11 of word 49 is used to determine whether a device supports IORDY. If this bit is set to one, then the device supports IORDY operation. If this bit is zero, the device may support IORDY. This ensures backward compatibility. If a device supports PIO mode 3 or higher, then this bit shall be set to one.

Bit 10 of word 49 is used to indicate a device's ability to enable or disable the use of IORDY. If this bit is set to one, then the device supports the disabling of IORDY. Disabling and enabling of IORDY is accomplished using the SET FEATURES command.

Bits 9 and 8 of word 49 shall be set to one for backward compatibility. These bits are defined for use in the IDENTIFY PACKET DEVICE command response.

Bits 7 through 0 of word 49 are retired.

Bit 15 of word 50 shall be cleared to zero to indicate that the contents of word 50 are valid.

Bit 14 of word 50 shall be set to one to indicate that the contents of word 50 are valid.

Bits 13 through 1 of word 50 are reserved.

Bit 0 of word 50 set to one indicates that the device has a minimum Standby timer value that is device specific.

#### **8.12.25 Words 51 and 52: Obsolete**

#### **8.12.26 Word 53: Field validity**

If bit 0 of word 53 is set to one, the values reported in words 54 through 58 are valid. If this bit is cleared to zero, the values reported in words 54 through 58 are not valid. If bit 1 of word 53 is set to one, the values reported in words 64 through 70 are valid. If this bit is cleared to zero, the values reported in words 64-70 are not valid. Any device that supports PIO mode 3 or above, or supports Multiword DMA mode 1 or above, shall set bit 1 of word 53 to one and support the fields contained in words 64 through 70. If the device supports Ultra DMA and the values reported in word 88 are valid, then bit 2 of word 53 shall be set to one. If the device does not support Ultra DMA and the values reported in word 88 are not valid, then this bit is cleared to zero.

#### **8.12.27 Word 54: Number of current logical cylinders**

This field contains the number of user-addressable logical cylinders in the current CHS translation (see 6.2).

**8.12.28 Word 55: Number of current logical heads**

This field contains the number of user-addressable logical heads per logical cylinder in the current CHS translation (see 6.2).

**8.12.29 Word 56: Number of current logical sectors per logical track**

This field contains the number of user-addressable logical sectors per logical track in the current CHS translation (see 6.2).

**8.12.30 Word (58:57): Current capacity in sectors**

This field contains the current capacity in sectors in the current CHS translation (see 6.2).

**8.12.31 Word 59: Multiple sector setting**

If bit 8 is set to one, bits 7-0 reflect the number of sectors currently set to transfer on a READ/WRITE MULTIPLE command. This field may default to the preferred value for the device.

**8.12.32 Word (61:60): Total number of user addressable sectors**

This field contains the total number of user addressable sectors (see 6.2).

**8.12.33 Word 62: Obsolete****8.12.34 Word 63: Multiword DMA transfer**

Word 63 identifies the Multiword DMA transfer modes supported by the device and indicates the mode that is currently selected. Only one DMA mode shall be selected at any given time. If an Ultra DMA mode is enabled, then no Multiword DMA mode shall be enabled. If a Multiword DMA mode is enabled then no Ultra DMA mode shall be enabled.

**8.12.34.1 Reserved**

Bits 15 through 11 of word 63 are reserved.

**8.12.34.2 Multiword DMA mode 2 selected**

If bit 10 of word 63 is set to one, then Multiword DMA mode 2 is selected. If this bit is cleared to zero, then Multiword DMA mode 2 is not selected. If bit 9 is set to one or if bit 8 is set to one, then this bit shall be cleared to zero.

**8.12.34.3 Multiword DMA mode 1 selected**

If bit 9 of word 63 is set to one, then Multiword DMA mode 1 is selected. If this bit is cleared to zero then Multiword DMA mode 1 is not selected. If bit 10 is set to one or if bit 8 is set to one, then this bit shall be cleared to zero.

**8.12.34.4 Multiword DMA mode 0 selected**

If bit 8 of word 63 is set to one, then Multiword DMA mode 0 is selected. If this bit is cleared to zero then Multiword DMA mode 0 is not selected. If bit 10 is set to one or if bit 9 is set to one, then this bit shall be cleared to zero.

#### **8.12.34.5 Reserved**

Bits 7 through 3 of word 63 are reserved.

#### **8.12.34.6 Multiword DMA mode 2 supported**

If bit 2 of word 63 is set to one, then Multiword DMA modes 2 and below are supported. If this bit is cleared to zero, then Multiword DMA mode 2 is not supported. If Multiword DMA mode 2 is supported, then Multiword DMA modes 1 and 0 shall also be supported. If this bit is set to one, bits 1 and 0 shall be set to one.

#### **8.12.34.7 Multiword DMA mode 1 supported**

If bit 1 of word 63 is set to one, then Multiword DMA modes 1 and below are supported. If this bit is cleared to zero, then Multiword DMA mode 1 is not supported. If Multiword DMA mode 1 is supported, then Multiword DMA mode 0 shall also be supported. If this bit is set to one, bit 0 shall be set to one.

#### **8.12.34.8 Multiword DMA mode 0 supported**

If bit 0 of word 63 is set to one, then Multiword DMA mode 0 is supported.

#### **8.12.35 Word 64: PIO transfer modes supported**

Bits 7 through 0 of word 64 of the Identify Device parameter information is defined as the advanced PIO data transfer supported field. If this field is supported, bit 1 of word 53 shall be set to one. This field is bit significant. Any number of bits may be set to one in this field by the device to indicate the advanced PIO modes the device is capable of supporting.

Of these bits, bits 7 through 2 are Reserved for future advanced PIO modes. Bit 0, if set to one, indicates that the device supports PIO mode 3. Bit 1, if set to one, indicates that the device supports PIO mode 4.

#### **8.12.36 Word 65: Minimum Multiword DMA transfer cycle time per word**

Word 65 of the parameter information of the IDENTIFY DEVICE command is defined as the minimum Multiword DMA transfer cycle time per word. This field defines, in nanoseconds, the minimum cycle time that the device supports when performing Multiword DMA transfers on a per word basis.

If this field is supported, bit 1 of word 53 shall be set to one. Any device that supports Multiword DMA mode 1 or above shall support this field, and the value in word 65 shall not be less than the minimum cycle time for the fastest DMA mode supported by the device.

If bit 1 of word 53 is set to one because a device supports a field in words 64-70 other than this field and the device does not support this field, the device shall return a value of zero in this field.

#### **8.12.37 Word 66: Device recommended Multiword DMA cycle time**

Word 66 of the parameter information of the IDENTIFY DEVICE command is defined as the device recommended Multiword DMA transfer cycle time. This field defines, in nanoseconds, the minimum cycle time per word during a single sector host transfer while performing a multiple sector READ DMA or WRITE DMA command for any location on the media under nominal conditions. If a host runs at a faster cycle rate by operating at a cycle time of less than this value, the device may negate DMARQ for flow control. The rate at which DMARQ is negated could result in reduced throughput despite the faster cycle rate. Transfer at this rate does not ensure that flow control will not be used, but implies that higher performance may result.

If this field is supported, bit 1 of word 53 shall be set to one. Any device that supports Multiword DMA mode 1 or above shall support this field, and the value in word 66 shall not be less than the value in word 65.

If bit 1 of word 53 is set to one because a device supports a field in words 64-70 other than this field and the device does not support this field, the device shall return a value of zero in this field.

#### **8.12.38 Word 67: Minimum PIO transfer cycle time without flow control**

Word 67 of the parameter information of the IDENTIFY DEVICE command is defined as the minimum PIO transfer without flow control cycle time. This field defines, in nanoseconds, the minimum cycle time that, if used by the host, the device guarantees data integrity during the transfer without utilization of flow control.

If this field is supported, Bit 1 of word 53 shall be set to one.

Any device that supports PIO mode 3 or above shall support this field, and the value in word 67 shall not be less than the value reported in word 68.

If bit 1 of word 53 is set to one because a device supports a field in words 64-70 other than this field and the device does not support this field, the device shall return a value of zero in this field.

#### **8.12.39 Word 68: Minimum PIO transfer cycle time with IORDY**

Word 68 of the parameter information of the IDENTIFY DEVICE command is defined as the minimum PIO transfer with IORDY flow control cycle time. This field defines, in nanoseconds, the minimum cycle time that the device supports while performing data transfers while utilizing IORDY flow control.

If this field is supported, Bit 1 of word 53 shall be set to one.

Any device that supports PIO mode 3 or above shall support this field, and the value in word 68 shall be the fastest defined PIO mode supported by the device.

If bit 1 of word 53 is set to one because a device supports a field in words 64-70 other than this field and the device does not support this field, the device shall return a value of zero in this field.

#### **8.12.40 Words 69-74: Reserved**

#### **8.12.41 Word 75: Queue depth**

Bits 4 through 0 of word 75 indicate the maximum queue depth supported by the device. The queue depth includes all commands for which command acceptance has occurred and command completion has not occurred. The value in this field is the maximum queue depth - 1, e.g., a value of 0 indicates a queue depth of 1, a value of 31 indicates a queue depth of 32. If bit 1 of word 83 is cleared to zero indicating that the device does not support READ/WRITE DMA QUEUED commands, the value in this field shall be 0. A device may support READ/WRITE DMA QUEUED commands to provide overlap only (i.e., queuing not supported), in this case, bit 1 of word 83 shall be set to one and the queue depth shall be set to 0.

#### **8.12.42 Words 76-79: Reserved**

#### **8.12.43 Word 80: Major version number**

If not 0000h or FFFFh, the device claims compliance with the major version(s) as indicated by bits 2 through 5 being set to one. Values other than 0000h and FFFFh are bit significant. Since ATA standards maintain downward compatibility, a device may set more than one bit.

**8.12.44 Word 81: Minor version number**

If an implementor claims that the revision of the standard they used to guide their implementation does not need to be reported or if the implementation was based upon a standard prior to the ATA-3 standard, word 81 shall be 0000h or FFFFh.

Table 21 defines the value that may optionally be reported in word 81 to indicate the revision of the standard that guided the implementation.

**Table 21 - Minor version number**

| <b>Value</b> | <b>Minor revision</b>                      |
|--------------|--|
| 0001h        | Obsolete                                   |
| 0002h        | Obsolete                                   |
| 0003h        | Obsolete                                   |
| 0004h        | ATA-2 published, ANSI X3.279-1996          |
| 0005h        | ATA-2 X3T10 948D prior to revision 2k      |
| 0006h        | ATA-3 X3T10 2008D revision 1               |
| 0007h        | ATA-2 X3T10 948D revision 2k               |
| 0008h        | ATA-3 X3T10 2008D revision 0               |
| 0009h        | ATA-2 X3T10 948D revision 3                |
| 000Ah        | ATA-3 published, ANSI X3.298-199x          |
| 000Bh        | ATA-3 X3T10 2008D revision 6               |
| 000Ch        | ATA-3 X3T13 2008D revision 7 and 7a        |
| 000Dh        | ATA/ATAPI-4 X3T13 1153D revision 6         |
| 000Eh        | ATA/ATAPI-4 T13 1153D revision 13          |
| 000Fh        | ATA/ATAPI-4 X3T13 1153D revision 7         |
| 0010h        | ATA/ATAPI-4 T13 1153D revision 18          |
| 0011h        | ATA/ATAPI-4 T13 1153D revision 15          |
| 0012h        | ATA/ATAPI-4 published, ANSI NCITS 317-1998 |
| 0013h        | ATA/ATAPI-5 T13 1321D revision 3           |
| 0014h        | ATA/ATAPI-4 T13 1153D revision 14          |
| 0015h        | ATA/ATAPI-5 T13 1321D revision 1           |
| 0016h        | Reserved                                   |
| 0017h        | ATA/ATAPI-4 T13 1153D revision 17          |
| 0018h-FFFFh  | Reserved                                   |

**8.12.45 Words 82-84: Features/command sets supported**

Words 82, 83, and 84 shall indicate features/command sets supported. If bit 14 of word 83 is set to one and bit 15 of word 83 is cleared to zero, the contents of words 82 and 83 contain valid support information. If not, support information is not valid in these words. If bit 14 of word 84 is set to one and bit 15 of word 84 is cleared to zero, the contents of word 84 contains valid support information. If not, support information is not valid in this word.

If bit 0 of word 82 is set to one, the SMART feature set is supported.

If bit 1 of word 82 is set to one, the Security Mode feature set is supported.

If bit 2 of word 82 is set to one, the Removable Media feature set is supported.

If bit 3 of word 82 is set to one, the Power Management feature set is supported.

Bit 4 of word 82 shall be cleared to zero.

If bit 5 of word 82 is set to one, write cache is supported.

If bit 6 of word 82 is set to one, look-ahead is supported.

If bit 7 of word 82 is set to one, release interrupt is supported.

If bit 8 of word 82 is set to one, SERVICE interrupt is supported.

If bit 9 of word 82 is set to one, the DEVICE RESET command is supported.

If bit 10 of word 82 is set to one, the Host Protected Area feature set is supported.

Bit 11 of word 82 is obsolete.

If bit 12 of word 82 is set to one, the device supports the WRITE BUFFER command.

If bit 13 of word 82 is set to one, the device supports the READ BUFFER command.

If bit 14 of word 82 is set to one, the device supports the NOP command.

Bit 15 of word 82 is obsolete.

If bit 0 of word 83 is set to one, the device supports the DOWNLOAD MICROCODE command.

If bit 1 of word 83 is set to one, the device supports the READ DMA QUEUED and WRITE DMA QUEUED commands.

If bit 2 of word 83 is set to one, the device supports the CFA feature set.

If bit 3 of word 83 is set to one, the device supports the Advanced Power Management feature set.

If bit 4 of word 83 is set to one, the device supports the Removable Media Status feature set.

If bit 5 of word 83 is set to one, the device supports the Power-Up In Standby feature set.

If bit 6 of word 83 is set to one, the device requires the SET FEATURES subcommand to spin-up after power-up if the Power-Up In Standby feature set is enabled (see 8.37.15).

Bit 7 is reserved for project 1407DT Address Offset Reserved Area Boot.

If bit 8 of word 83 is set to one, the device supports the SET MAX security extension.

#### **8.12.46 Words 85-87: Features/command sets enabled**

Words 85, 86, and 87 shall indicate features/command sets enabled. If bit 14 of word 87 is set to one and bit 15 of word 87 is cleared to zero, the contents of words 85, 86, and 87 contain valid information. If not, information is not valid in these words.

If bit 0 of word 85 is set to one, the SMART feature set has been enabled via the SMART ENABLE OPERATIONS command.

If bit 1 of word 85 is set to one, the Security Mode feature set has been enabled via the SECURITY SET PASSWORD command.

If bit 2 of word 85 is set to one, the Removable Media feature set is supported.

If bit 3 of word 85 is set to one, the Power Management feature set is supported.

Bit 4 of word 85 shall be cleared to zero.

If bit 5 of word 85 is set to one, write cache has been enabled via the SET FEATURES command (see 8.37.10).

If bit 6 of word 85 is set to one, look-ahead has been enabled via the SET FEATURES command (see 8.37.17).

If bit 7 of word 85 is set to one, release interrupt has been enabled via the SET FEATURES command (see 8.37.18).

If bit 8 of word 85 is set to one, SERVICE interrupt has been enabled via the SET FEATURES command (see 8.37.19).

If bit 9 of word 85 is set to one, the DEVICE RESET command is supported.

If bit 10 of word 85 is set to one, the Host Protected Area feature set is supported.

Bit 11 of word 85 is obsolete.

If bit 12 of word 85 is set to one, the device supports the WRITE BUFFER command.

If bit 13 of word 85 is set to one, the device supports the READ BUFFER command.

If bit 14 of word 85 is set to one, the device supports the NOP command.

Bit 15 of word 85 is obsolete.

If bit 0 of word 86 is set to one, the device supports the DOWNLOAD MICROCODE command.

If bit 1 of word 86 is set to one, the device supports the READ DMA QUEUED and WRITE DMA QUEUED commands.

If bit 2 of word 86 is set to one, the device supports the CFA feature set.

If bit 3 of word 86 is set to one, the Advanced Power Management feature set has been enabled via the SET FEATURES command.

If bit 4 of word 86 is set to one, the Removable Media Status feature set has been enabled via the SET FEATURES command.

If bit 5 of word 86 is set to one, the Power-Up In Standby feature set has been enabled via the SET FEATURES command (see 8.37.13).

If bit 6 of word 86 is set to one, the device requires the SET FEATURES subcommand to spin-up after power-up (see 8.37.15).

Bit 7 is reserved for project 1407DT Address Offset Reserved Area Boot.

If bit 8 is set to one, the device has had the SET MAX security extension enabled via a SET MAX SET PASSWORD command.

#### **8.12.47 Word 88: Ultra DMA modes**

Word 88 identifies the Ultra DMA transfer modes supported by the device and indicates the mode that is currently selected. Only one DMA mode shall be selected at any given time. If an Ultra DMA mode is enabled,



then no Multiword DMA mode shall be enabled. If a Multiword DMA mode is enabled then no Ultra DMA mode shall be enabled.

#### **8.12.47.1 Reserved**

Bits 15 through 13 of word 88 are reserved.

#### **8.12.47.2 Ultra DMA mode 4 selected**

If bit 12 of word 88 is set to one, then Ultra DMA mode 4 is selected. If this bit is cleared to zero, then Ultra DMA mode 4 is not selected. If bit 11 or bit 10 or bit 9 or bit 8 is set to one, then this bit shall be cleared to zero.

#### **8.12.47.3 Ultra DMA mode 3 selected**

If bit 11 of word 88 is set to one, then Ultra DMA mode 3 is selected. If this bit is cleared to zero, then Ultra DMA mode 3 is not selected. If bit 12 or bit 10 or bit 9 or bit 8 is set to one, then this bit shall be cleared to zero.

#### **8.12.47.4 Ultra DMA mode 2 selected**

If bit 10 of word 88 is set to one, then Ultra DMA mode 2 is selected. If this bit is cleared to zero, then Ultra DMA mode 2 is not selected. If bit 12 or bit 11 or bit 9 or bit 8 is set to one, then this bit shall be cleared to zero.

#### **8.12.47.5 Ultra DMA mode 1 selected**

If bit 9 of word 88 is set to one, then Ultra DMA mode 1 is selected. If this bit is cleared to zero then Ultra DMA mode 1 is not selected. If bit 12 or bit 11 or bit 10 or bit 8 is set to one, then this bit shall be cleared to zero.

#### **8.12.47.6 Ultra DMA mode 0 selected**

If bit 8 of word 88 is set to one, then Ultra DMA mode 0 is selected. If this bit is cleared to zero then Ultra DMA mode 0 is not selected. If bit 12 or bit 11 or bit 10 or bit 9 is set to one, then this bit shall be cleared to zero.

#### **8.12.47.7 Reserved**

Bits 7 through 5 of word 88 are reserved.

#### **8.12.47.8 Ultra DMA mode 4 supported**

If bit 4 of word 88 is set to one, then Ultra DMA modes 4 and below are supported. If this bit is cleared to zero, then Ultra DMA mode 4 is not supported. If Ultra DMA mode 4 is supported, then Ultra DMA modes 3, 2, 1 and 0 shall also be supported. If this bit is set to one, then bits 3, 2, 1 and 0 shall be set to one.

#### **8.12.47.9 Ultra DMA mode 3 supported**

If bit 3 of word 88 is set to one, then Ultra DMA modes 3 and below are supported. If this bit is cleared to zero, then Ultra DMA mode 3 is not supported. If Ultra DMA mode 3 is supported, then Ultra DMA modes 2, 1 and 0 shall also be supported. If this bit is set to one, then bits 2, 1 and 0 shall be set to one.

**8.12.47.10 Ultra DMA mode 2 supported**

If bit 2 of word 88 is set to one, then Ultra DMA modes 2 and below are supported. If this bit is cleared to zero, then Ultra DMA mode 2 is not supported. If Ultra DMA mode 2 is supported, then Ultra DMA modes 1 and 0 shall also be supported. If this bit is set to one, bits 1 and 0 shall be set to one.

**8.12.47.11 Ultra DMA mode 1 supported**

If bit 1 of word 88 is set to one, then Ultra DMA modes 1 and below are supported. If this bit is cleared to zero, then Ultra DMA mode 1 is not supported. If Ultra DMA mode 1 is supported, then Ultra DMA mode 0 shall also be supported. If this bit is set to one, bit 0 shall be set to one.

**8.12.47.12 Ultra DMA mode 0 supported**

If bit 0 of word 88 is set to one, then Ultra DMA mode 0 is supported. If this bit is cleared to zero, then Ultra DMA is not supported.

**8.12.48 Word 89: Time required for Security erase unit completion**

Word 89 specifies the time required for the SECURITY ERASE UNIT command to complete.

| Value | Time                |
|-------|---------------------|
| 0     | Value not specified |
| 1-254 | (Value*2) minutes   |
| 255   | >508 minutes        |

**8.12.49 Word 90: Time required for Enhanced security erase unit completion**

Word 90 specifies the time required for the ENHANCED SECURITY ERASE UNIT command to complete.

| Value | Time                |
|-------|---------------------|
| 0     | Value not specified |
| 1-254 | (Value*2) minutes   |
| 255   | >508 minutes        |

**8.12.50 Word 91: Advanced power management level value**

Bits 7-0 of word 91 contain the current Advanced Power Management level setting.

**8.12.51 Word 92: Master Password Revision Code**

Word 92 contains the value of the Master Password Revision Code set when the Master Password was last changed. Valid values are 0001h through FFFEh. A value of 0000h or FFFFh indicates that the Master Password Revision is not supported.

**8.12.52 Word 93: Hardware configuration test results**

During hardware reset execution, Device 0 shall clear bits 13-8 of this word to zero and shall set bits 7-0 of the word as indicated to show the result of the hardware reset execution. During hardware reset execution, Device 1 shall clear bits 7-0 of this word to zero and shall set bits 13-8 as indicated to show the result of the hardware reset execution.

Bit 13 shall be set or cleared by the selected device to indicate whether the device detected CBLID- above  $V_{IH}$  or below  $V_{IL}$  at any time during execution of each IDENTIFY DEVICE routine after receiving the command from

the host but before returning data to the host. This test may be repeated as desired by the device during command execution (see Annex B).

#### **8.12.53 Words 94-126: Reserved**

#### **8.12.54 Word 127: Removable Media Status Notification feature set support**

If bit 0 of word 127 is set to one and bit 1 of word 127 is cleared to zero, the device supports the Removable Media Status Notification feature set. Bits 15 through 2 shall be cleared to zero.

#### **8.12.55 Word 128: Security status**

Bit 8 of word 128 indicates the security level. If security mode is enabled and the security level is high, bit 8 shall be cleared to zero. If security mode is enabled and the security level is maximum, bit 8 shall be set to one. When security mode is disabled, bit 8 shall be cleared to zero.

Bit 5 of word 128 indicates the Enhanced security erase unit feature is supported. If bit 5 is set to one, the Enhanced security erase unit feature set is supported.

Bit 4 of word 128 indicates that the security count has expired. If bit 4 is set to one, the security count is expired and SECURITY UNLOCK and SECURITY ERASE UNIT are command aborted until a power-on reset or hardware reset.

Bit 3 of word 128 indicates security Frozen. If bit 3 is set to one, the security is Frozen.

Bit 2 of word 128 indicates security locked. If bit 2 is set to one, the security is locked.

Bit 1 of word 128 indicates security enabled. If bit 1 is set to one, the security is enabled.

Bit 0 of word 128 indicates the Security Mode feature set supported. If bit 0 is set to one, security is supported.

#### **8.12.56 Words 129-159: Vendor specific.**

#### **8.12.57 Word 160: CFA power mode**

Word 160 indicates the presence and status of a CFA feature set device that supports CFA Power Mode 1.

If bit 13 of word 160 is set to one then the device must be in CFA Power Mode 1 to perform one or more commands implemented by the device.

If bit 12 of word 160 is set to one the device is in CFA Power Mode 0 (see 8.37.14).

Bits 11-0 indicate the maximum average RMS current in Milliampere required during 3.3V or 5V device operation in CFA Power Mode 1.

#### **8.12.58 Words 161-175: Reserved for assignment by the CompactFlash Association**

#### **8.12.59 Words 176-254: Reserved.**

#### **8.12.60 Word 255: Integrity word**

The use of this word is optional. If bits 7:0 of this word contain the signature A5h, bits 15:8 contain the data structure checksum. The data structure checksum is the two's complement of the sum of all bytes in words 0 through 254 and the byte consisting of bits 7:0 in word 255. Each byte shall be added with unsigned arithmetic, and overflow shall be ignored. The sum of all 512 bytes is zero when the checksum is correct.

## 8.13 IDENTIFY PACKET DEVICE

### 8.13.1 Command code

A1h

### 8.13.2 Feature set

PACKET Command feature set

- Use prohibited for devices not implementing the PACKET Command feature set.
- Mandatory for devices implementing the PACKET Command feature set.

### 8.13.3 Protocol

PIO data-in (see 9.5).

### 8.13.4 Inputs

| Register      | 7   | 6  | 5   | 4   | 3  | 2  | 1  | 0  |
|---------------|-----|----|-----|-----|----|----|----|----|
| Features      | na  |    |     |     |    |    |    |    |
| Sector Count  | na  |    |     |     |    |    |    |    |
| Sector Number | na  |    |     |     |    |    |    |    |
| Cylinder Low  | na  |    |     |     |    |    |    |    |
| Cylinder High | na  |    |     |     |    |    |    |    |
| Device/Head   | obs | na | obs | DEV | na | na | na | na |
| Command       | A1h |    |     |     |    |    |    |    |

Device/Head register -

DEV shall indicate the selected device.

### 8.13.5 Normal outputs

| Register      | 7   | 6    | 5   | 4   | 3   | 2  | 1  | 0   |
|---------------|-----|------|-----|-----|-----|----|----|-----|
| Error         | na  |      |     |     |     |    |    |     |
| Sector Count  | na  |      |     |     |     |    |    |     |
| Sector Number | na  |      |     |     |     |    |    |     |
| Cylinder Low  | na  |      |     |     |     |    |    |     |
| Cylinder High | na  |      |     |     |     |    |    |     |
| Device/Head   | obs | na   | obs | DEV | na  | na | na | na  |
| Status        | BSY | DRDY | DF  | na  | DRQ | na | na | ERR |

Device/Head register -

DEV shall indicate the selected device.

Status register -

BSY shall be cleared to zero indicating command completion.

DRDY shall be set to one.

DF (Device Fault) shall be cleared to zero.

DRQ shall be cleared to zero.

ERR shall be cleared to zero.

### 8.13.6 Error outputs

The device shall return command aborted if the device does not implement this command, otherwise, the device shall not report an error.

### 8.13.7 Prerequisites

This command shall be accepted regardless of the state of DRDY.

### 8.13.8 Description

The IDENTIFY PACKET DEVICE command enables the host to receive parameter information from a device that implements the PACKET Command feature set.

Some devices may have to read the media in order to complete this command.

When the command is issued, the device sets the BSY bit to one, prepares to transfer the 256 words of device identification data to the host, sets the DRQ bit to one, clears the BSY bit to zero, and asserts INTRQ if nIEN is cleared to zero. The host may then transfer the data by reading the Data register. Table 22 defines the arrangement and meanings of the parameter words in the buffer. All reserved bits or words shall be zero.

Some parameters are defined as a group of bits. A word that is defined as a set of bits is transmitted with indicated bits on the respective data bus bit (e.g., bit 15 appears on DD15).

Some parameters are defined as a 16-bit value. A word that is defined as a 16-bit value places the most significant bit of the value on bit DD15 and the least significant bit on bit DD0.

Some parameters are defined as 32-bit values (e.g., words 57 and 58). Such fields are transferred using two word transfers. The device shall first transfer the least significant bits, bits 15 through 0 of the value, on bits DD (15:0) respectively. After the least significant bits have been transferred, the most significant bits, bits 31 through 16 of the value, shall be transferred on DD (15:0) respectively.

Some parameters are defined as a string of ASCII characters. For the string "Copyright", the character "C" is the first byte, the character "o" is the second byte, etc. When such fields are transferred, the order of transmission is:

- the 1st character ("C") is on bits DD (15:8) of the first word,
- the 2nd character ("o") is on bits DD (7:0) of the first word,
- the 3rd character ("p") is on bits DD (15:8) of the second word,
- the 4th character ("y") is on bits DD (7:0) of the second word,
- the 5th character ("r") is on bits DD (15:8) of the third word,
- the 6th character ("i") is on bits DD (7:0) of the third word,
- the 7th character ("g") is on bits DD (15:8) of the fourth word,
- the 8th character ("h") is on bits DD (7:0) of the fourth word,
- the 9th character ("t") is on bits DD (15:8) of the fifth word,
- the 10th character ("space") is on bits DD (7:0) of the fifth word,

**Table 22 - IDENTIFY PACKET DEVICE information** (continued)

| Word  | FV |   |
|-------|----|---|
| 0     |    | General configuration bit-significant information:  |
|       | F  | 15-14 10 = ATAPI device<br>11 = Reserved  |
|       | R  | 13 Reserved   |
|       | F  | 12-8 Field indicates command packet set used by device  |
|       | F  | 7 1 = removable media device  |
|       | F  | 6-5 00 = Device shall set DRQ to one within 3 ms of receiving PACKET command.<br>01 = Obsolete.<br>10 = Device shall set DRQ to one within 50 $\mu$ s of receiving PACKET command.<br>11 = Reserved |
|       | R  | 4-3 Reserved  |
|       | V  | 2 Incomplete response   |
|       | F  | 1-0 00 = 12 byte command packet<br>01 = 16 byte command packet<br>1x = Reserved   |
| 1     | R  | Reserved  |
| 2     | V  | Unique configuration  |
| 3-9   | R  | Reserved  |
| 10-19 | F  | Serial number (20 ASCII characters)   |
| 20-22 | R  | Reserved  |
| 23-26 | F  | Firmware revision (8 ASCII characters)  |
| 27-46 | F  | Model number (40 ASCII characters)  |
| 47-48 | R  | Reserved  |
| 49    |    | Capabilities  |
|       | F  | 15 1 = interleaved DMA supported  |
|       | F  | 14 1 = command queuing supported  |
|       | F  | 13 1 = overlap operation supported  |
|       | F  | 12 1 = ATA software reset required (Obsolete)   |
|       | F  | 11 1 = IORDY supported  |
|       | F  | 10 1 = IORDY may be disabled  |
|       | F  | 9 1 = LBA supported   |
|       | F  | 8 1 = DMA supported   |
|       | X  | 7-0 Vendor specific   |
| 50    | R  | Reserved  |
| 51-52 | F  | Obsolete  |
| 53    | R  | 15-3 Reserved   |
|       | F  | 2 1 = the fields reported in word 88 are valid<br>0 = the fields reported in word 88 are not valid  |
|       | F  | 1 1 = the fields reported in words 64-70 are valid<br>0 = the fields reported in words 64-70 are not valid  |
|       | V  | 0 1 = the fields reported in words 54-58 are valid<br>0 = the fields reported in words 54-58 are not valid  |
| 54-62 | R  | Reserved  |

(continued)

**Table 22 - IDENTIFY PACKET DEVICE information** (continued)

| Word                 | F/V |  |
|----------------------|-----|--|
| 63                   | R   | 15-11 Reserved   |
|                      | V   | 10 1 = Multiword DMA mode 2 is selected<br>0 = Multiword DMA mode 2 is not selected              |
|                      | V   | 9 1 = Multiword DMA mode 1 is selected<br>0 = Multiword DMA mode 1 is not selected               |
|                      | V   | 8 1 = Multiword DMA mode 0 is selected<br>0 = Multiword DMA mode 0 is not selected               |
|                      | R   | 7-3 Reserved   |
|                      | F   | 2 1 = Multiword DMA mode 2 and below are supported   |
|                      | F   | 1 1 = Multiword DMA mode 1 and below are supported   |
|                      | F   | 0 1 = Multiword DMA mode 0 is supported Multiword DMA mode selected                              |
| 64                   | R   | 15-8 Reserved  |
|                      | F   | 7-0 Advanced PIO transfer modes supported  |
| 65                   | F   | Minimum Multiword DMA transfer cycle time per word<br>15-0 Cycle time in nanoseconds             |
| 66                   | F   | Manufacturer's recommended Multiword DMA transfer cycle time<br>15-0 Cycle time in nanoseconds   |
| 67                   | F   | Minimum PIO transfer cycle time without flow control<br>15-0 Cycle time in nanoseconds           |
| 68                   | F   | Minimum PIO transfer cycle time with IORDY flow control<br>15-0 Cycle time in nanoseconds        |
| 69-70                | R   | Reserved (for future command overlap and queuing)  |
| 71                   | F   | Typical time in ns from receipt of PACKET command to bus release.                                |
| 72                   | F   | Typical time in ns from receipt of SERVICE command to BSY cleared to zero                        |
| 73-74                | R   | Reserved   |
| 75                   | F   | Queue depth  |
|                      |     | 15-5 Reserved  |
|                      |     | 4-0 Maximum queue depth supported - 1  |
| 76-79                | R   | Reserved   |
| 80                   | F   | Major version number<br>0000h or FFFFh = device does not report version                          |
|                      |     | 15 Reserved  |
|                      |     | 14 Reserved for ATA/ATAPI-14   |
|                      |     | 13 Reserved for ATA/ATAPI-13   |
|                      |     | 12 Reserved for ATA/ATAPI-12   |
|                      |     | 11 Reserved for ATA/ATAPI-11   |
|                      |     | 10 Reserved for ATA/ATAPI-10   |
|                      |     | 9 Reserved for ATA/ATAPI-9   |
|                      |     | 8 Reserved for ATA/ATAPI-8   |
|                      |     | 7 Reserved for ATA/ATAPI-7   |
|                      |     | 6 Reserved for ATA/ATAPI-6   |
|                      |     | 5 1 = supports ATA/ATAPI-5   |
|                      |     | 4 1 = supports ATA/ATAPI-4   |
|                      |     | 3 1 = supports ATA-3   |
| 2 1 = supports ATA-2 |     |  |
| 1 Obsolete           |     |  |
| 0 Reserved           |     |  |
| 81                   | F   | Minor version number<br>0000h or FFFFh=device does not report version<br>0001h-FFFEh=see 8.12.44 |

(continued)

**Table 22 - IDENTIFY PACKET DEVICE information** *(continued)*

| Word | F/V |  |
|------|-----|--|
| 82   | F   | <p>Command set supported. If words 82 and 83 = 0000h or FFFFh command set notification not supported.</p> <ul style="list-style-type: none"> <li>15 Obsolete</li> <li>14 1 = NOP command supported</li> <li>13 1 = READ BUFFER command supported</li> <li>12 1 = WRITE BUFFER command supported</li> <li>11 Obsolete</li> <li>10 1 = Host Protected Area feature set supported</li> <li>9 1 = DEVICE RESET command supported</li> <li>8 1 = SERVICE interrupt supported</li> <li>7 1 = release interrupt supported</li> <li>6 1 = look-ahead supported</li> <li>5 1 = write cache supported</li> <li>4 Shall be set to one</li> <li>3 1 = supports Power Management feature set</li> <li>2 1 = supports Removable Media feature set</li> <li>1 1 = supports Security Mode feature set</li> <li>0 1 = supports SMART feature set</li> </ul> |
| 83   | F   | <p>Command sets supported. If words 82 and 83 = 0000h or FFFFh command set notification not supported.</p> <ul style="list-style-type: none"> <li>15 Shall be cleared to zero</li> <li>14 Shall be set to one</li> <li>13-9 Reserved</li> <li>8 1 = SET MAX security extension supported</li> <li>7 Reserved for project 1407DT Address Offset Reserved Area Boot</li> <li>6 1 = SET FEATURES subcommand required to spinup after power-up</li> <li>5 1 = Power-Up In Standby feature set supported</li> <li>4 1 = Removable Media Status Notification feature set supported</li> <li>3-1 Reserved</li> <li>0 1 = DOWNLOAD MICROCODE command supported</li> </ul>  |
| 84   | F   | <p>Command set/feature supported extension. If words 82, 83, and 84 = 0000h or FFFFh command set notification extension is not supported.</p> <ul style="list-style-type: none"> <li>15 Shall be cleared to zero</li> <li>14 Shall be set to one</li> <li>13-0 Reserved</li> </ul>   |
| 85   | V   | <p>Command set/feature enabled. If words 85, 86, and 87 = 0000h or FFFFh command set enabled notification is not supported.</p> <ul style="list-style-type: none"> <li>15 Obsolete</li> <li>14 1 = NOP command enabled</li> <li>13 1 = READ BUFFER command enabled</li> <li>12 1 = WRITE BUFFER command enabled</li> <li>11 Obsolete</li> <li>10 1 = Host Protected Area feature set enabled</li> <li>9 1 = DEVICE RESET command enabled</li> <li>8 1 = SERVICE interrupt enabled</li> <li>7 1 = release interrupt enabled</li> <li>6 1 = look-ahead enabled</li> <li>5 1 = write cache enabled</li> <li>4 Shall be set to one</li> <li>3 1 = Power Management feature set enabled</li> <li>2 1 = Removable Media feature set enabled</li> <li>1 1 = Security Mode feature set enabled</li> <li>0 1 = SMART feature set enabled</li> </ul> |

*(continued)*



**Table 22 - IDENTIFY PACKET DEVICE information** *(continued)*

| Word  | F/V |  |
|-------|-----|--|
| 86    | V   | <p>Command set/feature enabled. If words 85, 86, and 87 = 0000h or FFFFh command set enabled notification is not supported.</p> <p>15-9 Reserved</p> <p>8 1 = SET MAX security extension enabled by a SET MAX SET PASSWORD</p> <p>7 Reserved for project 1407DT Address Offset Reserved Area Boot</p> <p>6 1 = SET FEATURES subcommand required to spinup after power-up</p> <p>5 1 = Power-Up In Standby feature set enabled</p> <p>4 1 = Removable Media Status Notification feature set enabled via the SET FEATURES command.</p> <p>3-1 Reserved</p> <p>0 1 = DOWNLOAD MICROCODE command enabled</p> |
| 87    | V   | <p>Command set/feature default. If words 85, 86, and 87 = 0000h or FFFFh command set default notification is not supported.</p> <p>15 Shall be cleared to zero</p> <p>14 Shall be set to one</p> <p>13-0 Reserved</p>  |
| 88    | R   | 15-13 Reserved   |
|       | V   | <p>12 1 = Ultra DMA mode 4 is selected<br/>0 = Ultra DMA mode 4 is not selected</p>  |
|       | V   | <p>11 1 = Ultra DMA mode 3 is selected<br/>0 = Ultra DMA mode 3 is not selected</p>  |
|       | V   | <p>10 1 = Ultra DMA mode 2 is selected<br/>0 = Ultra DMA mode 2 is not selected</p>  |
|       | V   | <p>9 1 = Ultra DMA mode 1 is selected<br/>0 = Ultra DMA mode 1 is not selected</p>   |
|       | V   | <p>8 1 = Ultra DMA mode 0 is selected<br/>0 = Ultra DMA mode 0 is not selected</p>   |
|       | R   | 7-5 Reserved   |
|       | F   | 4 1 = Ultra DMA mode 4 and below are supported   |
|       | F   | 3 1 = Ultra DMA mode 3 and below are supported   |
|       | F   | 2 1 = Ultra DMA mode 2 and below are supported   |
|       | F   | 1 1 = Ultra DMA mode 1 and below are supported   |
|       | F   | 0 1 = Ultra DMA mode 0 is supported  |
| 89-92 | R   | Reserved   |

*(continued)*

**Table 22 - IDENTIFY PACKET DEVICE information** (continued)

| Word   | F/V |  |
|--------|-----|--|
| 93     | V   | <p>Hardware reset result. The contents of bits 12-0 of this word shall change only during the execution of a hardware reset.</p> <p>15 Shall be cleared to zero.</p> <p>14 Shall be set to one.</p> <p>13 1 = device detected CBLID- above <math>V_{iH}</math><br/>0 = device detected CBLID- below <math>V_{iL}</math></p> <p>12-8 Device 1 hardware reset result. Device 0 shall clear these bits to zero. Device 1 shall set these bits as follows:</p> <p>12 Reserved.</p> <p>11 0 = Device 1 did not assert PDIAG-.<br/>1 = Device 1 asserted PDIAG-.</p> <p>10-9 These bits indicate how Device 1 determined the device number:<br/>00 = Reserved.<br/>01 = a jumper was used.<br/>10 = the CSEL signal was used.<br/>11 = some other method was used or the method is unknown.</p> <p>8 Shall be set to one.</p> <p>7-0 Device 0 hardware reset result. Device 1 shall clear these bits to zero. Device 0 shall set these bits as follows:</p> <p>7 Reserved.</p> <p>6 0 = Device 0 does not respond when Device 1 is selected.<br/>1 = Device 0 responds when Device 1 is selected.</p> <p>5 0 = Device 0 did not detect the assertion of DASP-.<br/>1 = Device 0 detected the assertion of DASP-.</p> <p>4 0 = Device 0 did not detect the assertion of PDIAG-.<br/>1 = Device 0 detected the assertion of PDIAG-.</p> <p>3 0 = Device 0 failed diagnostics.<br/>1 = Device 0 passed diagnostics.</p> <p>2-1 These bits indicate how Device 0 determined the device number:<br/>00 = Reserved.<br/>01 = a jumper was used.<br/>10 = the CSEL signal was used.<br/>11 = some other method was used or the method is unknown.</p> <p>0 Shall be set to one.</p> |
| 94-125 | R   | Reserved   |
| 126    | F   | ATAPI byte count = 0 behavior  |
| 127    | F   | <p>Removable Media Status Notification feature set support</p> <p>15-2 Reserved</p> <p>1-0 00 = Removable Media Status Notification feature set not supported<br/>01 = Removable Media Status Notification feature set supported<br/>10 = Reserved<br/>11 = Reserved</p>   |

(continued)

**Table 22 - IDENTIFY PACKET DEVICE information (concluded)**

| Word  | F/V |   |
|---|-----|---|
| 128   | V   | Security status<br>15-9 Reserved<br>8 Security level 0 = High, 1 = Maximum<br>7-6 Reserved<br>5 1 = Enhanced security erase supported<br>4 1 = Security count expired<br>3 1 = Security frozen<br>2 1 = Security locked<br>1 1 = Security enabled<br>0 1 = Security supported |
| 129-159   | X   | Vendor specific   |
| 160-175   | R   | Reserved for assignment by the CompactFlash™ Association  |
| 176-254   | R   | Reserved  |
| 255   | F/V | Integrity word<br>15-8 Checksum<br>7-0 Signature  |
| <p>Key:</p> <p>F = the content of the word is fixed and does not change. For removable media devices, these values may change when media is removed or changed.</p> <p>V = the contents of the word is variable and may change depending on the state of the device or the commands executed by the device.</p> <p>X = the content of the word is vendor specific and may be fixed or variable.</p> <p>R = the content of the word is reserved and shall be zero.</p> |     |   |

**8.13.9 Word 0: General configuration**

Bits 15 and 14 of word 0 indicate the type of device. If bit 15 is cleared to zero the device does not implement the PACKET Command feature set. If bit 15 is set to one and bit 14 is cleared to zero, the device implements the PACKET Command feature set. The value bit 15 and bit 14 both set to one is reserved.

Bits 12 through 8 of word 0 indicate the command packet set implemented by the device. This value follows the peripheral device type value as defined in SCSI Primary Commands - 2 (SPC-2) T10/1236D.

| Value  | Description   |
|--------|---|
| 00h    | Direct-access device                                  |
| 01h    | Sequential-access device                              |
| 02h    | Printer device  |
| 03h    | Processor device                                      |
| 04h    | Write-once device                                     |
| 05h    | CD-ROM device   |
| 06h    | Scanner device  |
| 07h    | Optical memory device                                 |
| 08h    | Medium changer device                                 |
| 09h    | Communications device                                 |
| 0A-0Bh | Reserved for ACS IT8 (Graphic arts pre-press devices) |
| 0Ch    | Array controller device                               |
| 0Dh    | Enclosure services device                             |
| 0Eh    | Reduced block command devices                         |
| 0Fh    | Optical card reader/writer device                     |
| 10-1Eh | Reserved  |
| 1Fh    | Unknown or no device type                             |

Bit 7 if set to one indicates that the device has removable media.

Bits 6 and 5 of word 0 indicates the DRQ response time when a PACKET command is received. A value of 00b indicates a maximum time of 3 ms from receipt of PACKET to the setting of DRQ to one. A value of 10b indicates a maximum time of 50  $\mu$ s from the receipt of PACKET to the setting of DRQ to one. The value 11b is reserved.

If bit 2 is set to one it indicates that the content of the IDENTIFY DEVICE response is incomplete. This will occur if the device supports the Power-up in Standby feature set and required data is contained on the device media. In this case the content of at least words 0 and 2 shall be valid.

Bits 1 and 0 of word 0 indicate the packet size the device supports. A value of 00b indicates that a 12 byte packet is supported; a value of 01b indicates a 16 byte packet. The values 10b and 11b are reserved.

#### **8.13.10 Word 1: Reserved**

#### **8.13.11 Word 2: Specific configuration**

Word 2 shall have the same content described for word 2 of the IDENTIFY DEVICE command.

#### **8.13.12 Words 3-9: Reserved**

#### **8.13.13 Words 10-19: Serial number**

The use of these words is optional. If not implemented, the content shall be zeros. If implemented, the content shall be as described in words 10-19 of the IDENTIFY DEVICE command (see 8.12).

#### **8.13.14 Words 20-22: Reserved**

#### **8.13.15 Words 23-26: Firmware revision**

Words 23 through 26 shall have the content described for words 23 through 26 of the IDENTIFY DEVICE command.

#### **8.13.16 Words 27-46: Model number**

Words 27 through 46 shall have the content described for words 27 through 46 of the IDENTIFY DEVICE command.

#### **8.13.17 Words 47-48: Reserved**

#### **8.13.18 Word 49: Capabilities**

Bit 15 of word 49 is used to indicated that the device supports interleaved DMA data transfer for overlapped DMA commands.

Bit 14 of word 49 is used to indicated that the device supports command queuing for overlapped commands. If bit 14 is set to one, bit 13 shall be set to one.

Bit 13 of word 49 is used to indicated that the device supports command overlap operation.

Bit 12 of word 49 indicates that the device requires a software reset to reset the device when BSY is set to one. Some devices produced before this standard are unable to process a DEVICE RESET when the BSY bit is set to one. The use of this bit is obsolete.

Bit 11 of word 49 is used to determine whether a device supports IORDY. If this bit is set to one, then the device supports IORDY operation. If this bit is zero, the device may support IORDY. This ensures backward compatibility. If a device supports PIO mode 3 or higher, then this bit shall be set to one.

Bit 10 of word 49 is used to indicate a device's ability to enable or disable the use of IORDY. If this bit is set to one, then the device supports the disabling of IORDY. Disabling and enabling of IORDY is accomplished using the SET FEATURES command.

Bit 9 of word 49 indicates that an LBA translation is supported

Bits 8 of word 49 indicates that DMA is supported.

**8.13.19 Word 50: Reserved**

**8.13.20 Word 51: Obsolete**

**8.13.21 Word 52: Reserved**

**8.13.22 Word 53: Field validity**

Word 53 shall have the content described for word 53 of the IDENTIFY DEVICE command.

**8.13.23 Words 54-62: Reserved**

**8.13.24 Word 63: Multiword DMA transfer**

Word 63 shall have the content described for word 63 of the IDENTIFY DEVICE command.

**8.13.25 Word 64: PIO transfer mode supported**

Word 64 shall have the content described for word 64 of the IDENTIFY DEVICE command.

**8.13.26 Word 65: Minimum multiword DMA transfer cycle time per word**

Word 65 shall have the content described for word 65 of the IDENTIFY DEVICE command.

**8.13.27 Word 66: Device recommended multiword DMA cycle time**

Word 66 shall have the content described for word 66 of the IDENTIFY DEVICE command.

**8.13.28 Word 67: Minimum PIO transfer cycle time without flow control**

Word 67 shall have the content described for word 67 of the IDENTIFY DEVICE command.

**8.13.29 Word 68: Minimum PIO transfer cycle time with IORDY**

Word 68 shall have the content described for word 68 of the IDENTIFY DEVICE command.

**8.13.30 Word 69-70: Reserved**

**8.13.31 Word 71: PACKET to bus release time**

Word 71 shall contain the time (for 99.7 % of the occurrences) in microseconds from the receipt of a PACKET command until the device performs a bus release.

**8.13.32 Word 72: SERVICE to bus release time**

Word 72 shall contain the time (for 99.7% of the occurrences) in microseconds from the receipt of a SERVICE command until the device performs a bus release.

**8.13.33 Word 73-74: Reserved**

**8.13.34 Word 75: Queue depth**

Bits 4 through 0 of word 75 shall have the content described for word 75 of the IDENTIFY DEVICE command.

**8.13.35 Words 76-79: Reserved**

**8.13.36 Word 80: Major revision number**

Word 80 shall have the content described for word 80 of the IDENTIFY DEVICE command.

**8.13.37 Word 81: Minor revision number**

Word 81 shall have the content described for word 81 of the IDENTIFY DEVICE command.

**8.13.38 Words 82-84: Features/command sets supported**

Words 82, 83, and 84 shall have the content described for words 82, 83, and 84 of the IDENTIFY DEVICE command except that bit 4 of word 82 shall be set to one.

**8.13.39 Words 85-87: Features/command sets enabled**

Words 85, 86, and 87 shall have the content described for words 85, 86, and 87 of the IDENTIFY DEVICE command except that bit 4 of word 85 shall be set to one.

**8.13.40 Word 88: Ultra DMA modes**

Word 88 shall have the content described for word 88 of the IDENTIFY DEVICE command.

**8.13.41 Word 89: Time required for Security erase unit completion**

Word 89 shall have the content described for word 89 of the IDENTIFY DEVICE command.

**8.13.42 Word 90: Time required for Enhanced security erase unit completion**

Word 90 shall have the content described for word 90 of the IDENTIFY DEVICE command.

**8.13.43 Word 91-92: Reserved**

**8.13.44 Word 93: Hardware reset results**

Word 93 shall have the content described for word 93 of the IDENTIFY DEVICE command.

**8.13.45 Word 94-125: Reserved**

**8.13.46 Word 126: ATAPI byte count=0 behavior**

If the contents of word 126 are 0000h and the byte count limit is set to a non-zero value, the device shall return command aborted.

If the contents of word 126 are non-zero and the byte count limit is set to zero, the device shall use the contents of word 126 as the actual byte count limit for the current command and shall not abort.

The device may be reconfigured to report a new value. However, after the device is reconfigured, the content of word 126 reported shall not change until after the next hardware reset or power-on reset event.

#### **8.13.47 Word 127: Removable Media Status Notification feature set support**

Word 127 shall have the content described for word 127 of the IDENTIFY DEVICE command.

#### **8.13.48 Word 128: Security status**

Word 128 shall have the content described for word 128 of the IDENTIFY DEVICE command.

#### **8.13.49 Words 129-160: Reserved**

#### **8.13.50 Words 161-175: Reserved for assignment by the CompactFlash <sup>®</sup> Association**

#### **8.13.51 Words 176-254: Reserved**

#### **8.13.52 Word 255: Integrity Word**

Word 255 shall have the content described for word 255 of the IDENTIFY DEVICE command.

### **8.14 IDLE**

#### **8.14.1 Command code**

E3h

#### **8.14.2 Feature set**

Power Management feature set.

- Power Management feature set is mandatory when power management is not implemented by a PACKET power management feature set.
- This command is mandatory when the Power Management feature set is implemented and the PACKET Command feature set is not implemented.

#### **8.14.3 Protocol**

Non-data command (see 9.4).

#### **8.14.4 Inputs**

Values other than zero in the Sector Count register when the IDLE command is issued shall determine the time period programmed into the Standby timer. Table 23 defines these values.

| Register      | 7                  | 6  | 5   | 4   | 3  | 2  | 1  | 0  |
|---------------|--------------------|----|-----|-----|----|----|----|----|
| Features      | na                 |    |     |     |    |    |    |    |
| Sector Count  | Timer period value |    |     |     |    |    |    |    |
| Sector Number | na                 |    |     |     |    |    |    |    |
| Cylinder Low  | na                 |    |     |     |    |    |    |    |
| Cylinder High | na                 |    |     |     |    |    |    |    |
| Device/Head   | obs                | na | obs | DEV | na | na | na | na |
| Command       | E3h                |    |     |     |    |    |    |    |

Device/Head register -  
DEV shall indicate the selected device.

**Table 23 - Automatic Standby timer periods**

| Sector Count register contents | Corresponding timeout period |
|--------------------------------|------------------------------|
| 0 (00h)                        | Timeout disabled             |
| 1-240 (01h-F0h)                | (value * 5) s                |
| 241-251 (F1h-FBh)              | ((value - 240) *30) min      |
| 252 (FCh)                      | 21 min                       |
| 253 (FDh)                      | Period between 8 and 12 hrs  |
| 254 (FEh)                      | Reserved                     |
| 255 (FFh)                      | 21 min 15 s                  |

NOTE – Times are approximate.

**8.14.5 Normal outputs**

| Register      | 7   | 6    | 5   | 4   | 3   | 2  | 1  | 0   |
|---------------|-----|------|-----|-----|-----|----|----|-----|
| Error         | na  |      |     |     |     |    |    |     |
| Sector Count  | na  |      |     |     |     |    |    |     |
| Sector Number | na  |      |     |     |     |    |    |     |
| Cylinder Low  | na  |      |     |     |     |    |    |     |
| Cylinder High | na  |      |     |     |     |    |    |     |
| Device/Head   | obs | na   | obs | DEV | na  | na | na | na  |
| Status        | BSY | DRDY | DF  | na  | DRQ | na | na | ERR |

Device/Head register -  
DEV shall indicate the selected device.

Status register -  
BSY shall be cleared to zero indicating command completion.  
DRDY shall be set to one.  
DF (Device Fault) shall be cleared to zero.  
DRQ shall be cleared to zero.  
ERR shall be cleared to zero.

**8.14.6 Error outputs**

The device shall return command aborted if the device does not support the Power Management feature set.



| Register      | 7   | 6    | 5   | 4   | 3   | 2    | 1  | 0   |
|---------------|-----|------|-----|-----|-----|------|----|-----|
| Error         | na  | na   | na  | na  | na  | ABRT | na | na  |
| Sector Count  | na  |      |     |     |     |      |    |     |
| Sector Number | na  |      |     |     |     |      |    |     |
| Cylinder Low  | na  |      |     |     |     |      |    |     |
| Cylinder High | na  |      |     |     |     |      |    |     |
| Device/Head   | obs | na   | obs | DEV | na  | na   | na | na  |
| Status        | BSY | DRDY | DF  | na  | DRQ | na   | na | ERR |

Error register -

ABRT shall be set to one if Power Management feature set is not supported. ABRT may be set to one if the device is not able to complete the action requested by the command.

Device/Head register -

DEV shall indicate the selected device.

Status register -

BSY shall be cleared to zero indicating command completion.

DRDY shall be set to one.

DF (Device Fault) shall be set to one if a device fault has occurred.

DRQ shall be cleared to zero.

ERR shall be set to one if an Error register bit is set to one.

### 8.14.7 Prerequisites

DRDY set to one.

### 8.14.8 Description

The IDLE command allows the host to place the device in the Idle mode and also set the Standby timer. INTRQ may be asserted even though the device may not have fully transitioned to Idle mode.

If the Sector Count register is non-zero then the Standby timer shall be enabled. The value in the Sector Count register shall be used to determine the time programmed into the Standby timer (see 6.11). If the Sector Count register is zero then the Standby timer is disabled.

## 8.15 IDLE IMMEDIATE

### 8.15.1 Command code

E1h

### 8.15.2 Feature set

Power Management feature set.

- Power Management feature set is mandatory when power management is not implemented by a PACKET power management feature set.
- This command is mandatory when the Power Management feature set is implemented.

### 8.15.3 Protocol

Non-data command (see 9.4).

### 8.15.4 Inputs

| Register      | 7   | 6  | 5   | 4   | 3  | 2  | 1  | 0  |
|---------------|-----|----|-----|-----|----|----|----|----|
| Features      | na  |    |     |     |    |    |    |    |
| Sector Count  | na  |    |     |     |    |    |    |    |
| Sector Number | na  |    |     |     |    |    |    |    |
| Cylinder Low  | na  |    |     |     |    |    |    |    |
| Cylinder High | na  |    |     |     |    |    |    |    |
| Device/Head   | obs | na | obs | DEV | na | na | na | na |
| Command       | E1h |    |     |     |    |    |    |    |

Device/Head register -

DEV shall indicate the selected device.

### 8.15.5 Normal outputs

| Register      | 7   | 6    | 5   | 4   | 3   | 2  | 1  | 0   |
|---------------|-----|------|-----|-----|-----|----|----|-----|
| Error         | na  |      |     |     |     |    |    |     |
| Sector Count  | na  |      |     |     |     |    |    |     |
| Sector Number | na  |      |     |     |     |    |    |     |
| Cylinder Low  | na  |      |     |     |     |    |    |     |
| Cylinder High | na  |      |     |     |     |    |    |     |
| Device/Head   | obs | na   | obs | DEV | na  | na | na | na  |
| Status        | BSY | DRDY | DF  | na  | DRQ | na | na | ERR |

Device/Head register -

DEV shall indicate the selected device.

Status register -

BSY shall be cleared to zero indicating command completion.

DRDY shall be set to one.

DF (Device Fault) shall be cleared to zero.

DRQ shall be cleared to zero.

ERR shall be cleared to zero.

### 8.15.6 Error outputs

The device shall return command aborted if the device does not support the Power Management feature set.

| Register      | 7   | 6    | 5   | 4   | 3   | 2    | 1  | 0   |
|---------------|-----|------|-----|-----|-----|------|----|-----|
| Error         | na  | na   | na  | na  | na  | ABRT | na | na  |
| Sector Count  | na  |      |     |     |     |      |    |     |
| Sector Number | na  |      |     |     |     |      |    |     |
| Cylinder Low  | na  |      |     |     |     |      |    |     |
| Cylinder High | na  |      |     |     |     |      |    |     |
| Device/Head   | obs | na   | obs | DEV | na  | na   | na | na  |
| Status        | BSY | DRDY | DF  | na  | DRQ | na   | na | ERR |

Error register -

ABRT shall be set to one if Power Management feature set is not supported. ABRT may be set to one if the device is not able to complete the action requested by the command.

Device/Head register -

DEV shall indicate the selected device.

Status register -

BSY shall be cleared to zero indicating command completion.

DRDY shall be set to one.

DF (Device Fault) shall be set to one if a device fault has occurred.

DRQ shall be cleared to zero.

ERR shall be set to one if an Error register bit is set to one.

### 8.15.7 Prerequisites

DRDY set to one.

### 8.15.8 Description

The IDLE IMMEDIATE command allows the host to immediately place the device in the Idle mode. INTRQ may be asserted even though the device may not have fully transitioned to Idle mode (see 6.11).

## 8.16 INITIALIZE DEVICE PARAMETERS

### 8.16.1 Command code

91h

### 8.16.2 Feature set

General feature set

- Mandatory for devices not implementing the PACKET Command feature set if a CHS translation is supported.
- Not mandatory for devices not implementing the PACKET command feature set if the device capacity is greater than 8 Gbytes and only LBA translation is supported.
- Use prohibited for devices implementing the PACKET Command feature set.

### 8.16.3 Protocol

Non-data (see 9.4).

### 8.16.4 Inputs

The Sector Count register specifies the number of logical sectors per logical track, and the Device/Head register specifies the maximum head number.

| Register      | 7                                 | 6  | 5   | 4   | 3        | 2 | 1 | 0 |
|---------------|-----------------------------------|----|-----|-----|----------|---|---|---|
| Features      | na                                |    |     |     |          |   |   |   |
| Sector Count  | Logical sectors per logical track |    |     |     |          |   |   |   |
| Sector Number | na                                |    |     |     |          |   |   |   |
| Cylinder Low  | na                                |    |     |     |          |   |   |   |
| Cylinder High | na                                |    |     |     |          |   |   |   |
| Device/Head   | obs                               | na | obs | DEV | Max head |   |   |   |
| Command       | 91h                               |    |     |     |          |   |   |   |

Device/Head register -

DEV shall indicate the selected device.

**8.16.5 Normal outputs**

| Register      | 7   | 6  | 5   | 4   | 3   | 2  | 1  | 0   |
|---------------|-----|----|-----|-----|-----|----|----|-----|
| Error         | na  |    |     |     |     |    |    |     |
| Sector Count  | na  |    |     |     |     |    |    |     |
| Sector Number | na  |    |     |     |     |    |    |     |
| Cylinder Low  | na  |    |     |     |     |    |    |     |
| Cylinder High | na  |    |     |     |     |    |    |     |
| Device/Head   | obs | na | obs | DEV | na  | na | na | na  |
| Status        | BSY | na | DF  | na  | DRQ | na | na | ERR |

Device/Head register -

DEV shall indicate the selected device.

Status register -

BSY shall be cleared to zero indicating command completion.

DF (Device Fault) shall be cleared to zero.

DRQ shall be cleared to zero.

ERR shall be cleared to zero.

**8.16.6 Error outputs**

| Register      | 7   | 6  | 5   | 4   | 3   | 2    | 1  | 0   |
|---------------|-----|----|-----|-----|-----|------|----|-----|
| Error         | na  | na | na  | na  | na  | ABRT | na | na  |
| Sector Count  | na  |    |     |     |     |      |    |     |
| Sector Number | na  |    |     |     |     |      |    |     |
| Cylinder Low  | na  |    |     |     |     |      |    |     |
| Cylinder High | na  |    |     |     |     |      |    |     |
| Device/Head   | obs | na | obs | DEV | na  | na   | na | na  |
| Status        | BSY | na | DF  | na  | DRQ | na   | na | ERR |

Error register -

ABRT shall be set to one if the device does not support the requested CHS translation. ABRT may be set to one if the device is not able to complete the action requested by the command.

Device/Head register -

DEV shall indicate the selected device.

Status register -

BSY shall be cleared to zero indicating command completion.

DF (Device Fault) shall be set to one if a device fault has occurred.

DRQ shall be cleared to zero.

ERR shall be set to one if an Error register bit is set to one.

**8.16.7 Prerequisites**

This command shall be accepted regardless of the state of DRDY.

**8.16.8 Description**

This command enables the host to set the number of logical sectors per track and the number of logical heads minus 1, per logical cylinder for the current CHS translation mode.

If the capacity of the device is less than 16,514,064 sectors, a device shall support the CHS translation described in words 1, 3, and, 6 of the IDENTIFY DEVICE information. Support of other CHS translations is optional.

If the host requests a CHS translation that is not supported by the device, the device shall return command aborted. The device shall also clear bit 0 of word 53 in the IDENTIFY DEVICE data to zero, and the content of words 54, 55, 56, and, (58:57) may be zero until a supported translation is requested by the host.

If the requested CHS translation is not supported, the device shall fail all media access commands with an ID Not Found error until a valid CHS translation is established.

After a successful INITIALIZE DEVICE PARAMETERS command the content of all IDENTIFY DEVICE words shall comply with 6.2.1 in addition to the following:

- 1) The content of words 1, 3, 6, and (61:60) shall be unchanged.
- 2) The content of word 55 shall equal (Max head value requested by the host + 1).
- 3) The content of word 56 shall equal (Logical sectors per logical track value requested by the host).
- 4) If the content of word (61:60) is less than or equal to 16,514,064, then word 54 shall equal the whole number result of  $[(\text{content of words (61:60)}) \div [(\text{new content of word 55 as determined by the successful INITIALIZE DEVICE PARAMETERS command}) * (\text{new content of word 56 as determined by the successful INITIALIZE DEVICE PARAMETERS command})]]$ , or 65,535 whichever is less.
- 5) If the content of word (61:60) is greater than 16,514,064, then word 54 shall equal the whole number result of  $[(16,514,064) \div [(\text{new content of word 55 as determined by the successful INITIALIZE DEVICE PARAMETERS command}) * (\text{new content of word 56 as determined by the successful INITIALIZE DEVICE PARAMETERS command})]]$  or 65,535 whichever is less.
- 6) Words (58:57) shall equal  $[(\text{new content of word 54}) * (\text{new content of word 55}) * (\text{new content of word 56})]$ .

## 8.17 MEDIA EJECT

### 8.17.1 Command code

EDh

### 8.17.2 Feature set

Removable Media Status Notification feature set

- Mandatory for devices not implementing the PACKET command feature set and implementing the Removable Media Status Notification feature set.
- Prohibited for devices implementing the PACKET command feature set.

Removable Media feature set

- Mandatory for devices not implementing the PACKET command feature set and implementing the Removable Media feature set.
- Prohibited for devices implementing the PACKET command feature set.

### 8.17.3 Protocol

Non-data command (see 9.4).

**8.17.4 Inputs**

| Register      | 7   | 6  | 5   | 4   | 3  | 2  | 1  | 0  |
|---------------|-----|----|-----|-----|----|----|----|----|
| Features      | na  |    |     |     |    |    |    |    |
| Sector Count  | na  |    |     |     |    |    |    |    |
| Sector Number | na  |    |     |     |    |    |    |    |
| Cylinder Low  | na  |    |     |     |    |    |    |    |
| Cylinder High | na  |    |     |     |    |    |    |    |
| Device/Head   | obs | na | obs | DEV | na | na | na | na |
| Command       | EDh |    |     |     |    |    |    |    |

Device/Head register -

DEV shall indicate the selected device.

**8.17.5 Normal outputs**

| Register      | 7   | 6    | 5   | 4   | 3   | 2  | 1  | 0   |
|---------------|-----|------|-----|-----|-----|----|----|-----|
| Error         | na  |      |     |     |     |    |    |     |
| Sector Count  | na  |      |     |     |     |    |    |     |
| Sector Number | na  |      |     |     |     |    |    |     |
| Cylinder Low  | na  |      |     |     |     |    |    |     |
| Cylinder High | na  |      |     |     |     |    |    |     |
| Device/Head   | obs | na   | obs | DEV | na  | na | na | na  |
| Status        | BSY | DRDY | DF  | na  | DRQ | na | na | ERR |

Device/Head register -

DEV shall indicate the selected device.

Status register -

BSY shall be cleared to zero indicating command completion.

DRDY shall be set to one.

DF (Device Fault) shall be cleared to zero.

DRQ shall be cleared to zero.

ERR shall be cleared to zero.

**8.17.6 Error outputs**

If the device does not support this command, the device shall return command aborted.

| Register      | 7   | 6    | 5   | 4   | 3   | 2    | 1  | 0   |
|---------------|-----|------|-----|-----|-----|------|----|-----|
| Error         | na  | na   | na  | na  | na  | ABRT | NM | obs |
| Sector Count  | na  |      |     |     |     |      |    |     |
| Sector Number | na  |      |     |     |     |      |    |     |
| Cylinder Low  | na  |      |     |     |     |      |    |     |
| Cylinder High | na  |      |     |     |     |      |    |     |
| Device/Head   | obs | na   | obs | DEV | na  | na   | na | na  |
| Status        | BSY | DRDY | DF  | na  | DRQ | na   | na | ERR |

Error register -

ABRT shall be set to one if device does not support this command. ABRT may be set to one if the device is not able to complete the action requested by the command.

NM (No Media) shall be set to one if no media is present in the device.

Device/Head register -

DEV shall indicate the selected device.

Status register -

BSY shall be cleared to zero indicating command completion.  
 DRDY shall be set to one.  
 DF (Device Fault) shall be set to one if a device fault has occurred.  
 DRQ shall be cleared to zero.  
 ERR shall be set to one if an Error register bit is set to one.

### 8.17.7 Prerequisites

DRDY set to one.

### 8.17.8 Description

This command causes any pending operations to complete, spins down the device if needed, unlocks the media if locked, and ejects the media. The device keeps track of only one level of media lock.

## 8.18 MEDIA LOCK

### 8.18.1 Command code

DEh

### 8.18.2 Feature set

Removable Media Status Notification feature set

- Optional for devices not implementing the PACKET command feature set and implementing the Removable Media Status Notification feature set.
- Prohibited for device implementing the PACKET command feature set.

Removable Media feature set

- Mandatory for devices not implementing the PACKET command feature set and implementing the Removable Media feature set.
- Prohibited for devices implementing the PACKET command feature set.

### 8.18.3 Protocol

Non-data command (see 9.4).

### 8.18.4 Inputs

| Register      | 7   | 6  | 5   | 4   | 3  | 2  | 1  | 0  |
|---------------|-----|----|-----|-----|----|----|----|----|
| Features      | na  |    |     |     |    |    |    |    |
| Sector Count  | na  |    |     |     |    |    |    |    |
| Sector Number | na  |    |     |     |    |    |    |    |
| Cylinder Low  | na  |    |     |     |    |    |    |    |
| Cylinder High | na  |    |     |     |    |    |    |    |
| Device/Head   | obs | na | obs | DEV | na | na | na | na |
| Command       | DEh |    |     |     |    |    |    |    |

Device/Head register -  
 DEV shall indicate the selected device.

**8.18.5 Normal outputs**

| Register      | 7   | 6    | 5   | 4   | 3   | 2  | 1  | 0   |
|---------------|-----|------|-----|-----|-----|----|----|-----|
| Error         | na  |      |     |     |     |    |    |     |
| Sector Count  | na  |      |     |     |     |    |    |     |
| Sector Number | na  |      |     |     |     |    |    |     |
| Cylinder Low  | na  |      |     |     |     |    |    |     |
| Cylinder High | na  |      |     |     |     |    |    |     |
| Device/Head   | obs | na   | obs | DEV | na  | na | na | na  |
| Status        | BSY | DRDY | DF  | na  | DRQ | na | na | ERR |

Device/Head register -

DEV shall indicate the selected device.

Status register -

BSY shall be cleared to zero indicating command completion.

DRDY shall be set to one.

DF (Device Fault) shall be cleared to zero.

DRQ shall be cleared to zero.

ERR shall be cleared to zero.

**8.18.6 Error outputs**

If the device does not support this command, the device shall return command aborted.

| Register      | 7   | 6    | 5   | 4   | 3   | 2    | 1  | 0   |
|---------------|-----|------|-----|-----|-----|------|----|-----|
| Error         | na  | na   | na  | na  | MCR | ABRT | NM | obs |
| Sector Count  | na  |      |     |     |     |      |    |     |
| Sector Number | na  |      |     |     |     |      |    |     |
| Cylinder Low  | na  |      |     |     |     |      |    |     |
| Cylinder High | na  |      |     |     |     |      |    |     |
| Device/Head   | obs | na   | obs | DEV | na  | na   | na | na  |
| Status        | BSY | DRDY | DF  | na  | DRQ | na   | na | ERR |

Error register -

ABRT shall be set to one if device does not support this command. ABRT may be set to one if the device is not able to complete the action requested by the command.

NM (No Media) shall be set to one if no media is present in the device.

MCR (Media Change Request) shall be set to one if the device is locked and a media change request has been detected by the device.

Device/Head register -

DEV shall indicate the selected device.

Status register -

BSY shall be cleared to zero indicating command completion.

DRDY shall be set to one.

DF (Device Fault) shall be set to one if a device fault has occurred.

DRQ shall be cleared to zero.

ERR shall be set to one if an Error register bit is set to one.

**8.18.7 Prerequisites**

DRDY set to one.



### 8.18.8 Description

This command shall be used to lock the media, if Media Status Notification is disabled. If Media Status Notification is enabled, this command shall return good status (no ERR bit in the Status register) and perform no action.

If the media is unlocked and media is present, the media shall be set to the LOCKED state and no Error register bit shall be set to one. The device keeps track of only one level of media lock. Subsequent MEDIA LOCK commands, while the media is in the LOCKED state, do not set additional levels of media locks.

If the media is locked, the status returned shall indicate whether a media change request has been detected by the device. If a media change request has been detected, the MCR bit in the Error register and the ERR bit in the Status register shall be set to one.

When media is in the LOCKED state, the device shall respond to the media change request button, by setting the MCR bit in the Error register and the ERR bit in the Status register to one, until the media LOCKED condition is cleared.

## 8.19 MEDIA UNLOCK

### 8.19.1 Command code

DFh

### 8.19.2 Feature set

Removable Media Status Notification feature set

- Optional for devices not implementing the PACKET command feature set and implementing the Removable Media Status Notification feature set.
- Prohibited for devices implementing the PACKET command feature set.

Removable Media feature set

- Mandatory for devices not implementing the PACKET command feature set and implementing the Removable Media feature set.
- Prohibited for devices implementing the PACKET command feature set.

### 8.19.3 Protocol

Non-data command (see 9.4).

### 8.19.4 Inputs

| Register      | 7   | 6  | 5   | 4   | 3  | 2  | 1  | 0  |
|---------------|-----|----|-----|-----|----|----|----|----|
| Features      | na  |    |     |     |    |    |    |    |
| Sector Count  | na  |    |     |     |    |    |    |    |
| Sector Number | na  |    |     |     |    |    |    |    |
| Cylinder Low  | na  |    |     |     |    |    |    |    |
| Cylinder High | na  |    |     |     |    |    |    |    |
| Device/Head   | obs | na | obs | DEV | na | na | na | na |
| Command       | DFh |    |     |     |    |    |    |    |

Device/Head register -

DEV shall indicate the selected device.

**8.19.5 Normal outputs**

| Register      | 7   | 6    | 5   | 4   | 3   | 2  | 1  | 0   |
|---------------|-----|------|-----|-----|-----|----|----|-----|
| Error         | na  |      |     |     |     |    |    |     |
| Sector Count  | na  |      |     |     |     |    |    |     |
| Sector Number | na  |      |     |     |     |    |    |     |
| Cylinder Low  | na  |      |     |     |     |    |    |     |
| Cylinder High | na  |      |     |     |     |    |    |     |
| Device/Head   | obs | na   | obs | DEV | na  | na | na | na  |
| Status        | BSY | DRDY | DF  | na  | DRQ | na | na | ERR |

Device/Head register -

DEV shall indicate the selected device.

Status register -

BSY shall be cleared to zero indicating command completion.

DRDY shall be set to one.

DF (Device Fault) shall be cleared to zero.

DRQ shall be cleared to zero.

ERR shall be cleared to zero.

**8.19.6 Error outputs**

If the device does not support this command, the device shall return command aborted.

| Register      | 7   | 6    | 5   | 4   | 3   | 2    | 1  | 0   |
|---------------|-----|------|-----|-----|-----|------|----|-----|
| Error         | na  | na   | na  | na  | na  | ABRT | NM | obs |
| Sector Count  | na  |      |     |     |     |      |    |     |
| Sector Number | na  |      |     |     |     |      |    |     |
| Cylinder Low  | na  |      |     |     |     |      |    |     |
| Cylinder High | na  |      |     |     |     |      |    |     |
| Device/Head   | obs | na   | obs | DEV | na  | na   | na | na  |
| Status        | BSY | DRDY | DF  | na  | DRQ | na   | na | ERR |

Error register -

ABRT shall be set to one if device does not support this command. ABRT may be set to one if the device is not able to complete the action requested by the command.

NM (No Media) shall be set to one if no media is present in the device.

Device/Head register -

DEV shall indicate the selected device.

Status register -

BSY shall be cleared to zero indicating command completion.

DRDY shall be set to one.

DF (Device Fault) shall be set to one if a device fault has occurred.

DRQ shall be cleared to zero.

ERR shall be set to one if an Error register bit is set to one.

**8.19.7 Prerequisites**

DRDY set to one.

### 8.19.8 Description

This command can be used to unlock the device, if Media Status Notification is disabled. If Media Status Notification is enabled, this command will return good status (no ERR bit in the Status register) and perform no action.

If the media is present, the media shall be set to the UNLOCKED state and no Error register bit shall be set to one. The device keeps track of only one level of media lock. A single MEDIA UNLOCK command unlocks the media.

If a media change request has been detected by the device prior to the issuance of this command, the media shall be ejected at MEDIA UNLOCK command completion.

## 8.20 NOP

### 8.20.1 Command code

00h

### 8.20.2 Feature set

General feature set

- Optional for devices not implementing the PACKET Command feature set.
- Mandatory for devices implementing the PACKET Command feature set.
- Mandatory for devices implementing the Overlapped feature set.

### 8.20.3 Protocol

Non-data (see 9.4).

### 8.20.4 Inputs

| Register      | 7               | 6  | 5   | 4   | 3  | 2  | 1  | 0  |
|---------------|-----------------|----|-----|-----|----|----|----|----|
| Features      | Subcommand code |    |     |     |    |    |    |    |
| Sector Count  | na              |    |     |     |    |    |    |    |
| Sector Number | na              |    |     |     |    |    |    |    |
| Cylinder Low  | na              |    |     |     |    |    |    |    |
| Cylinder High | na              |    |     |     |    |    |    |    |
| Device/Head   | obs             | na | obs | DEV | na | na | na | na |
| Command       | 00h             |    |     |     |    |    |    |    |

Features register -

| Subcommand code | Description   | Action   |
|-----------------|---------------|--|
| 00h             | NOP           | Return command aborted and abort any outstanding queued commands.        |
| 01h             | NOP Auto Poll | Return command aborted and do not abort any outstanding queued commands. |
| 02h-FFh         | Reserved      | Return command aborted and do not abort any outstanding queued commands. |

Device/Head register -

DEV shall indicate the selected device.

### 8.20.5 Normal outputs

This command always fails with an error.

### 8.20.6 Error outputs

The Command Block registers, other than the Error and Status registers, are not changed by this command. This command always fails with the device returning command aborted.

| Register      | 7             | 6    | 5  | 4  | 3   | 2    | 1  | 0   |
|---------------|---------------|------|----|----|-----|------|----|-----|
| Error         | na            | na   | na | na | na  | ABRT | na | na  |
| Sector Count  | Initial value |      |    |    |     |      |    |     |
| Sector Number | Initial value |      |    |    |     |      |    |     |
| Cylinder Low  | Initial value |      |    |    |     |      |    |     |
| Cylinder High | Initial value |      |    |    |     |      |    |     |
| Device/Head   | Initial value |      |    |    |     |      |    |     |
| Status        | BSY           | DRDY | DF | na | DRQ | na   | na | ERR |

Error register -

ABRT shall be set to one.

Sector Count, Sector Number, Cylinder Low, Cylinder High, Device/Head - value set by host is not changed.

Status register -

BSY shall be cleared to zero indicating command completion.

DRDY shall be set to one.

DF (Device Fault) shall be set to one if a device fault has occurred.

DRQ shall be cleared to zero.

ERR shall be set to one.

### 8.20.7 Prerequisites

DRDY set to one.

### 8.20.8 Description

The device shall respond with command aborted. For devices implementing the Overlapped feature set, subcommand code 00h in the Features register shall abort any outstanding queue. Subcommand codes 01h through FFh in the Features register shall not affect the status of any outstanding queue.

## 8.21 PACKET

### 8.21.1 Command code

A0h

### 8.21.2 Feature set

PACKET Command feature set

- Use prohibited for devices not implementing the PACKET Command feature set.
- Mandatory for devices implementing the PACKET Command feature set.

### 8.21.3 Protocol

Packet (see 9.8).

### 8.21.4 Inputs

| Register                           | 7                       | 6  | 5   | 4   | 3  | 2  | 1   | 0   |
|------------------------------------|-------------------------|----|-----|-----|----|----|-----|-----|
| Features                           | na                      | na | na  | na  | na | na | OVL | DMA |
| Sector Count                       | Tag                     |    |     |     |    | na |     |     |
| Sector Number                      | na                      |    |     |     |    |    |     |     |
| Byte count low<br>(Cylinder Low)   | Byte count limit (7-0)  |    |     |     |    |    |     |     |
| Byte count high<br>(Cylinder High) | Byte count limit (15-8) |    |     |     |    |    |     |     |
| Device/Head                        | obs                     | na | obs | DEV | na | na | na  | na  |
| Command                            | A0h                     |    |     |     |    |    |     |     |

Features register -

OVL - This bit is set to one to inform the device that the PACKET command is to be overlapped.

DMA - This bit is set to one to inform the device that the data transfer (not the command packet transfer) associated with this command is via DMA or Ultra DMA mode.

Sector Count register -

Tag - If the device supports command queuing, this field contains the command Tag for the command being delivered. A Tag may have any value between 0 and 31 regardless of the queue depth supported. If queuing is not supported, this field is not applicable.

Byte count low and Byte count high registers -

These registers are written by the host with the maximum byte count that is to be transferred in any single DRQ assertion for PIO transfers. The byte count does not apply to the command PACKET transfer. If the PACKET command does not transfer data, the byte count is ignored.

If the PACKET command results in a data transfer:

- 1) the host should not set the byte count limit to zero. If the host sets the byte count limit to zero, the contents of IDENTIFY PACKET DEVICE word 126 determines the expected behavior;
- 2) the value set into the byte count limit shall be even if the total requested data transfer length is greater than the byte count limit;
- 3) the value set into the byte count limit may be odd if the total requested data transfer length is equal to or less than the byte count limit;
- 4) the value FFFFh is interpreted by the device as though the value were FFFEh.

Device/Head register -

DEV shall indicate the selected device.

### 8.21.5 Normal outputs

#### 8.21.5.1 Awaiting command

When the device is ready to accept the command packet from the host the register content shall be as shown below.

| Register                           | 7                 | 6    | 5    | 4    | 3   | 2   | 1   | 0   |
|------------------------------------|-------------------|------|------|------|-----|-----|-----|-----|
| Error                              | na                |      |      |      |     |     |     |     |
| Interrupt reason<br>(Sector Count) | Tag               |      |      |      |     | REL | I/O | C/D |
| Sector Number                      | na                |      |      |      |     |     |     |     |
| Byte count low<br>(Cylinder Low)   | Byte count (7:0)  |      |      |      |     |     |     |     |
| Byte count high<br>(Cylinder High) | Byte count (15:8) |      |      |      |     |     |     |     |
| Device/Head                        | obs               | na   | obs  | DEV  | na  | na  | na  | na  |
| Status                             | BSY               | DRDY | DMRD | SERV | DRQ | na  | na  | CHK |

Byte count High/Low - shall reflect the value set by the host when the command was issued.

Interrupt reason register -

Tag - If the device supports command queuing and overlap is enabled, this field contains the command Tag for the command. A Tag value may be any value between 0 and 31 regardless of the queue depth supported. If the device does not support command queuing or overlap is disabled, this field is not applicable.

REL - Shall be cleared to zero.

I/O - Shall be cleared to zero indicating transfer to the device.

C/D - Shall be set to one indicating the transfer of a command packet.

Device/Head register -

DEV shall indicate the selected device.

Status register -

BSY - Shall be cleared to zero.

DRDY - na.

DMRD (DMA ready) - Shall be cleared to zero.

SERV (Service) - Shall be set to one if another command is ready to be serviced. If overlap is not supported, this bit is command specific.

DRQ - Shall be set to one.

CHK - Shall be cleared to zero.

### 8.21.5.2 Data transmission

If overlap is not supported or not indicated by the command, data transfer shall occur after the receipt of the command packet. If overlap is supported and the command indicates that the command may be overlapped, data transfer may occur after receipt of the command packet or may occur after the receipt of a SERVICE command. When the device is ready to transfer data requested by a data transfer command, the device sets the following register content to initiate the data transfer.

| Register                           | 7                 | 6    | 5    | 4    | 3   | 2   | 1   | 0   |
|------------------------------------|-------------------|------|------|------|-----|-----|-----|-----|
| Error                              | na                |      |      |      |     |     |     |     |
| Interrupt reason<br>(Sector Count) | Tag               |      |      |      |     | REL | I/O | C/D |
| Sector Number                      | na                |      |      |      |     |     |     |     |
| Byte count low<br>(Cylinder Low)   | Byte count (7:0)  |      |      |      |     |     |     |     |
| Byte count high<br>(Cylinder High) | Byte count (15:8) |      |      |      |     |     |     |     |
| Device/Head                        | obs               | na   | obs  | DEV  | na  | na  | na  | na  |
| Status                             | BSY               | DRDY | DMRD | SERV | DRQ | na  | na  | CHK |

Byte count High/Low - If the transfer is to be in PIO mode, the byte count of the data to be transferred for this DRQ assertion shall be presented.

Valid byte count values are as follows:

- 1) the byte count shall be less than or equal to the byte count limit value from the host;
- 2) the byte count shall not be zero;
- 3) the byte count shall be less than or equal to FFFEh;
- 4) the byte count shall be even except for the last transfer of a command;
- 5) if the byte count is odd, the last valid byte transferred is on DD[7:0] and the data on DD[15:8] is a pad byte of undefined value;
- 6) if the last transfer of a command has a pad byte, the byte count shall be odd.

Interrupt reason register -

Tag - If the device supports command queuing and overlap is enabled, this field contains the command Tag for the command. A Tag value may be any value between 0 and 31 regardless of the queue depth supported. If the device does not support command queuing or overlap is disabled, this field is not applicable.

REL - Shall be cleared to zero.

I/O - Shall be cleared to zero if the transfer is to the device. Shall be set to one if the transfer is to the host.

C/D - Shall be cleared to zero indicating the transfer of data.

Device/Head register -

DEV shall indicate the selected device.

Status register -

BSY - Shall be cleared to zero.

DRDY - na.

DMRD (DMA ready) - Shall be set to one if the transfer is to be a DMA or Ultra DMA transfer and the device supports overlap DMA.

SERV (Service) - Shall be set to one if another command is ready to be serviced. If overlap is not supported, this bit is command specific.

DRQ - Shall be set to one.

CHK - Shall be cleared to zero.

### 8.21.5.3 Bus release (overlap feature set only)

After receiving the command packet, the device sets BSY to one and clears DRQ to zero. If the command packet requires a data transfer, the OVL bit is set to one, and the device is not prepared to immediately transfer data, the device may perform a bus release by placing the following register content. If the command packet requires a data transfer, the OVL bit is set to one, and the Release interrupt is enabled, the device shall perform a bus release by setting the register content as follows.

| Register                           | 7   | 6    | 5    | 4    | 3   | 2   | 1   | 0   |
|------------------------------------|-----|------|------|------|-----|-----|-----|-----|
| Error                              | na  |      |      |      |     |     |     |     |
| Interrupt reason<br>(Sector Count) | Tag |      |      |      |     | REL | I/O | C/D |
| Sector Number                      | na  |      |      |      |     |     |     |     |
| Byte count low<br>(Cylinder Low)   | na  |      |      |      |     |     |     |     |
| Byte count high<br>(Cylinder High) | na  |      |      |      |     |     |     |     |
| Device/Head                        | obs | na   | obs  | DEV  | na  | na  | na  | na  |
| Status                             | BSY | DRDY | DMRD | SERV | DRQ | na  | na  | CHK |

Byte count High/Low - na.

Interrupt reason register -

Tag - If the device supports command queuing and overlap is enabled, this field contains the command Tag for the command. A Tag value may be any value between 0 and 31 regardless of the queue depth supported. If the device does not support command queuing or overlap is disabled, this field is not applicable.

REL - Shall be set to one.

I/O - Shall be cleared to zero.

C/D - Shall be cleared to zero.

Device/Head register -

DEV shall indicate the selected device.

Status register -

BSY - Shall be cleared to zero indicating bus release.

DRDY - na.

DMRD (DMA ready) - Shall be cleared to zero.

SERV (Service) - Shall be set to one if another command is ready to be serviced. If overlap is not supported, this bit is command specific.

DRQ - Shall cleared to zero.

CHK - Shall be cleared to zero.

#### 8.21.5.4 Service request (overlap feature set only)

When the device is ready to transfer data or complete a command after the command has performed a bus release, the device shall set the SERV bit and not change the state of any other register bit (see 6.9). When the SERVICE command is received, the device shall set outputs as described in data transfer, successful command completion, or error outputs depending on the service the device requires.

#### 8.21.5.5 Successful command completion

When the device has command completion without error, the device sets the following register content.

| Register                        | 7   | 6    | 5    | 4    | 3   | 2   | 1   | 0   |
|---------------------------------|-----|------|------|------|-----|-----|-----|-----|
| Error                           | na  |      |      |      |     |     |     |     |
| Interrupt reason (Sector Count) | Tag |      |      |      | REL | I/O | C/D |     |
| Sector Number                   | na  |      |      |      |     |     |     |     |
| Byte count low (Cylinder Low)   | na  |      |      |      |     |     |     |     |
| Byte count high (Cylinder High) | na  |      |      |      |     |     |     |     |
| Device/Head                     | obs | na   | obs  | DEV  | na  | na  | na  | na  |
| Status                          | BSY | DRDY | DMRD | SERV | DRQ | na  | na  | CHK |

Byte count High/Low -na.

Interrupt reason register -

Tag - If the device supports command queuing and overlap is enabled, this field contains the command Tag for the command. A Tag value may be any value between 0 and 31 regardless of the queue depth supported. If the device does not support command queuing or overlap is disabled, this field is not applicable.

REL - Shall be cleared to zero.

I/O - Shall be set to one.

C/D - Shall be set to one.

Device/Head register -

DEV shall indicate the selected device.

Status register -

BSY - Shall be cleared to zero indicating command completion.

DRDY - Shall be set to one.



DMRD (DMA ready) - na.

SERV (Service) - Shall be set to one if another command is ready to be serviced. If overlap is not supported, this bit is command specific.

DRQ - Shall be cleared to zero.

CHK - Shall be cleared to zero.

### 8.21.6 Error outputs

The device shall not terminate the PACKET command with an error before the last byte of the command packet has been written (see 9.8).

| Register                           | 7         | 6    | 5   | 4    | 3   | 2    | 1   | 0   |
|------------------------------------|-----------|------|-----|------|-----|------|-----|-----|
| Error                              | Sense key |      |     |      | na  | ABRT | EOM | ILI |
| Interrupt reason<br>(Sector Count) | Tag       |      |     |      |     | REL  | I/O | C/D |
| Sector Number                      | na        |      |     |      |     |      |     |     |
| Cylinder Low                       | na        |      |     |      |     |      |     |     |
| Cylinder High                      | na        |      |     |      |     |      |     |     |
| Device/Head                        | obs       | na   | obs | DEV  | na  | na   | na  | na  |
| Status                             | BSY       | DRDY | DF  | SERV | DRQ | na   | na  | CHK |

Error register -

Sense Key is a command packet set specific error indication.

ABRT shall be set to one if the requested command has been command aborted because the command code or a command parameter is invalid. ABRT may be set to one if the device is not able to complete the action requested by the command.

EOM - the meaning of this bit is command set specific. See the appropriate command set standard for the definition of this bit.

ILI - the meaning of this bit is command set specific. See the appropriate command set standard for the definition of this bit.

Interrupt reason register -

Tag - If the device supports command queuing and overlap is enabled, this field contains the command Tag for the command. A Tag value may be any value between 0 and 31 regardless of the queue depth supported. If the device does not support command queuing or overlap is disabled, this field is not applicable.

REL - Shall be cleared to zero.

I/O - Shall be set to one.

C/D - Shall be set to one.

Device/Head register -

DEV shall indicate the selected device.

Status register -

BSY shall be cleared to zero indicating command completion.

DRDY shall be set to one.

SERV (Service) - Shall be set to one if another command is ready to be serviced. If overlap is not supported, this bit is command specific.

DF (Device Fault) shall be set to one if a device fault has occurred.

DRQ shall be cleared to zero.

CHK shall be set to one if an Error register sense key or code bit is set.

### 8.21.7 Prerequisites

This command shall be accepted regardless of the state of DRDY.

### 8.21.8 Description

The PACKET command is used to transfer a device command via a command packet. If the native form of the encapsulated command is shorter than the packet size reported in bits 1 and 0 of word 0 of the IDENTIFY PACKET DEVICE response, the encapsulated command shall begin at byte 0 of the packet. Packet bytes beyond the end of the encapsulated command are reserved.

If the device supports overlap, the OVL bit is set to one in the Features register and the Release interrupt has been disabled via the SET FEATURES command, the device may or may not perform a bus release. If the device is ready for the data transfer, the device may begin the transfer immediately as described in the non-overlapped protocol (see 9.8). If the data is not ready, the device may perform a bus release and complete the transfer after the execution of a SERVICE command.

## 8.22 READ BUFFER

### 8.22.1 Command code

E4h

### 8.22.2 Feature set

General feature set

- Optional for devices not implementing the PACKET Command feature set.
- Use prohibited for devices implementing the PACKET Command feature set.

### 8.22.3 Protocol

PIO data-in (see 9.5).

### 8.22.4 Inputs

| Register      | 7   | 6  | 5   | 4   | 3  | 2  | 1  | 0  |
|---------------|-----|----|-----|-----|----|----|----|----|
| Features      | na  |    |     |     |    |    |    |    |
| Sector Count  | na  |    |     |     |    |    |    |    |
| Sector Number | na  |    |     |     |    |    |    |    |
| Cylinder Low  | na  |    |     |     |    |    |    |    |
| Cylinder High | na  |    |     |     |    |    |    |    |
| Device/Head   | obs | na | obs | DEV | na | na | na | na |
| Command       | E4h |    |     |     |    |    |    |    |

Device/Head register -

DEV shall indicate the selected device.

### 8.22.5 Normal outputs

| Register      | 7   | 6    | 5   | 4   | 3   | 2  | 1  | 0   |
|---------------|-----|------|-----|-----|-----|----|----|-----|
| Error         | na  |      |     |     |     |    |    |     |
| Sector Count  | na  |      |     |     |     |    |    |     |
| Sector Number | na  |      |     |     |     |    |    |     |
| Cylinder Low  | na  |      |     |     |     |    |    |     |
| Cylinder High | na  |      |     |     |     |    |    |     |
| Device/Head   | obs | na   | obs | DEV | na  | na | na | na  |
| Status        | BSY | DRDY | DF  | na  | DRQ | na | na | ERR |

Device/Head register -

DEV shall indicate the selected device.

Status register -

BSY shall be cleared to zero indicating command completion.

DRDY shall be set to one.

DF (Device Fault) shall be cleared to zero.

DRQ shall be cleared to zero.

ERR shall be cleared to zero.

### 8.22.6 Error outputs

The device shall return command aborted if the command is not supported.

| Register      | 7   | 6    | 5   | 4   | 3   | 2    | 1  | 0   |
|---------------|-----|------|-----|-----|-----|------|----|-----|
| Error         | na  | na   | na  | na  | na  | ABRT | na | na  |
| Sector Count  | na  |      |     |     |     |      |    |     |
| Sector Number | na  |      |     |     |     |      |    |     |
| Cylinder Low  | na  |      |     |     |     |      |    |     |
| Cylinder High | na  |      |     |     |     |      |    |     |
| Device/Head   | obs | na   | obs | DEV | na  | na   | na | na  |
| Status        | BSY | DRDY | DF  | na  | DRQ | na   | na | ERR |

Error register -

ABRT shall be set to one if this command is not supported. ABRT may be set to one if the device is not able to complete the action requested by the command.

Device/Head register -

DEV shall indicate the selected device.

Status register -

BSY shall be cleared to zero indicating command completion.

DRDY shall be set to one.

DF (Device Fault) shall be set to one if a device fault has occurred.

DRQ shall be cleared to zero.

ERR shall be set to one if an Error register bit is set to one.

### 8.22.7 Prerequisites

DRDY set to one. The command prior to a READ BUFFER command shall be a WRITE BUFFER command.

### 8.22.8 Description

The READ BUFFER command enables the host to read the current contents of the device's sector buffer.

The READ BUFFER and WRITE BUFFER commands shall be synchronized such that sequential WRITE BUFFER and READ BUFFER commands access the same 512 bytes within the buffer.

## 8.23 READ DMA

### 8.23.1 Command code

C8h

### 8.23.2 Feature set

General feature set

- Mandatory for devices not implementing the PACKET Command feature set.
- Use prohibited for devices implementing the PACKET Command feature set.

### 8.23.3 Protocol

DMA (see 9.7).

### 8.23.4 Inputs

| Register      | 7                    | 6   | 5   | 4   | 3                  | 2 | 1 | 0 |
|---------------|----------------------|-----|-----|-----|--------------------|---|---|---|
| Features      | na                   |     |     |     |                    |   |   |   |
| Sector Count  | Sector count         |     |     |     |                    |   |   |   |
| Sector Number | Sector number or LBA |     |     |     |                    |   |   |   |
| Cylinder Low  | Cylinder low or LBA  |     |     |     |                    |   |   |   |
| Cylinder High | Cylinder high or LBA |     |     |     |                    |   |   |   |
| Device/Head   | obs                  | LBA | obs | DEV | Head number or LBA |   |   |   |
| Command       | C8h                  |     |     |     |                    |   |   |   |

Sector Count -

number of sectors to be transferred. A value of 00h indicates that 256 sectors are to be transferred.

Sector Number -

starting sector number or LBA address bits (7:0).

Cylinder Low -

starting cylinder number bits (7:0) or LBA address bits (15:8).

Cylinder High -

starting cylinder number bits (15:8) or LBA address bits (23:16).

Device/Head -

bit 6 set to one if LBA address, cleared to zero if CHS address.

DEV shall indicate the selected device.

bits (3:0) starting head number or LBA address bits (27:24).

### 8.23.5 Normal outputs

| Register      | 7   | 6    | 5   | 4   | 3   | 2  | 1  | 0   |
|---------------|-----|------|-----|-----|-----|----|----|-----|
| Error         | na  |      |     |     |     |    |    |     |
| Sector Count  | na  |      |     |     |     |    |    |     |
| Sector Number | na  |      |     |     |     |    |    |     |
| Cylinder Low  | na  |      |     |     |     |    |    |     |
| Cylinder High | na  |      |     |     |     |    |    |     |
| Device/Head   | obs | na   | obs | DEV | na  | na | na | na  |
| Status        | BSY | DRDY | DF  | na  | DRQ | na | na | ERR |

Device/Head register -

DEV shall indicate the selected device.

Status register -

BSY shall be cleared to zero indicating command completion.

DRDY shall be set to one.

DF (Device Fault) shall be cleared to zero.

DRQ shall be cleared to zero.

ERR shall be cleared to zero.

### 8.23.6 Error outputs

An unrecoverable error encountered during the execution of this command results in the termination of the command. The Command Block registers contain the address of the sector where the first unrecoverable error occurred. The amount of data transferred is indeterminate.

| Register      | 7                    | 6    | 5   | 4    | 3                  | 2    | 1  | 0   |
|---------------|----------------------|------|-----|------|--------------------|------|----|-----|
| Error         | ICRC                 | UNC  | MC  | IDNF | MCR                | ABRT | NM | obs |
| Sector Count  | na                   |      |     |      |                    |      |    |     |
| Sector Number | Sector number or LBA |      |     |      |                    |      |    |     |
| Cylinder Low  | Cylinder low or LBA  |      |     |      |                    |      |    |     |
| Cylinder High | Cylinder high or LBA |      |     |      |                    |      |    |     |
| Device/Head   | obs                  | na   | obs | DEV  | Head number or LBA |      |    |     |
| Status        | BSY                  | DRDY | DF  | na   | DRQ                | na   | na | ERR |

Error register -

ICRC shall be set to one if an interface CRC error has occurred during an Ultra DMA data transfer. The content of this bit is not applicable for Multiword DMA transfers.

UNC shall be set to one if data is uncorrectable

MC shall be set to one if the media in a removable media device changed since the issuance of the last command. The device shall clear the device internal media change detected state.

IDNF shall be set to one if a user-accessible address could not be found and after an unsuccessful INITIALIZE DEVICE PARAMETERS command until a valid CHS translation is established (see 8.16.8). IDNF shall be set to one if an address outside of the range of user-accessible addresses is requested if command aborted is not returned.

MCR shall be set to one if a media change request has been detected by a removable media device. This bit is only cleared by a GET MEDIA STATUS or a media access command.

ABRT shall be set to one if this command is not supported or if an error, including an ICRC error, has occurred during an Ultra DMA data transfer. ABRT may be set to one if the device is not able to complete the action requested by the command. ABRT shall be set to one if an address outside of the range of user-accessible addresses is requested if IDNF is not set to one.

NM shall be set to one if no media is present in a removable media device.

Sector Number, Cylinder Low, Cylinder High, Device/Head -

shall be written with the address of first unrecoverable error.

**Device/Head register -**

DEV shall indicate the selected device.

**Status register -**

BSY shall be cleared to zero indicating command completion.

DRDY shall be set to one.

DF (Device Fault) shall be set to one if a device fault has occurred.

DRQ shall be cleared to zero.

ERR shall be set to one if an Error register bit is set to one.

**8.23.7 Prerequisites**

DRDY set to one. The host shall initialize the DMA channel.

**8.23.8 Description**

The READ DMA command allows the host to read data using the DMA data transfer protocol.

**8.24 READ DMA QUEUED****8.24.1 Command code**

C7h

**8.24.2 Feature set**

Overlapped feature set

- Mandatory for devices implementing the Overlapped feature set but not implementing the PACKET command feature set.
- Use prohibited for devices implementing the PACKET command feature set.

**8.24.3 Protocol**

DMA QUEUED (see 9.9).

**8.24.4 Inputs**

| Register      | 7                    | 6   | 5   | 4   | 3                  | 2  | 1  | 0  |
|---------------|----------------------|-----|-----|-----|--------------------|----|----|----|
| Features      | Sector Count         |     |     |     |                    |    |    |    |
| Sector Count  | Tag                  |     |     |     |                    | na | na | na |
| Sector Number | Sector number or LBA |     |     |     |                    |    |    |    |
| Cylinder Low  | Cylinder low or LBA  |     |     |     |                    |    |    |    |
| Cylinder High | Cylinder high or LBA |     |     |     |                    |    |    |    |
| Device/Head   | obs                  | LBA | obs | DEV | Head number or LBA |    |    |    |
| Command       | C7h                  |     |     |     |                    |    |    |    |

**Features -**

number of sectors to be transferred. A value of 00h indicates that 256 sectors are to be transferred.

**Sector count -**

if the device supports command queuing, bits (7:3) contain the Tag for the command being delivered. A Tag value may be any value between 0 and 31 regardless of the queue depth supported. If queuing is not supported, this field is not applicable.

**Sector number -**

starting sector number or LBA address bits (7:0).

**Cylinder Low -**

starting cylinder number bits (7:0) or LBA address bits (15:8).

**Cylinder High -**

starting cylinder number bits (15:8) or LBA address bits (23:16).

Device/Head -

bit 6 set to one if LBA address, cleared to zero if CHS address.

DEV shall indicate the selected device.

bits (3:0) starting head number or LBA address bits (27:24).

## 8.24.5 Normal outputs

### 8.24.5.1 Data transmission

Data transfer may occur after receipt of the command or may occur after the receipt of a SERVICE command. When the device is ready to transfer data requested by a data transfer command, the device sets the following register content to initiate the data transfer.

| Register      | 7   | 6    | 5   | 4    | 3   | 2   | 1   | 0   |
|---------------|-----|------|-----|------|-----|-----|-----|-----|
| Error         | na  |      |     |      |     |     |     |     |
| Sector Count  | Tag |      |     |      |     | REL | I/O | C/D |
| Sector Number | na  |      |     |      |     |     |     |     |
| Cylinder Low  | na  |      |     |      |     |     |     |     |
| Cylinder High | na  |      |     |      |     |     |     |     |
| Device/Head   | obs | na   | obs | DEV  | na  | na  | na  | na  |
| Status        | BSY | DRDY | DF  | SERV | DRQ | na  | na  | CHK |

Interrupt reason register -

Tag - This field contains the command Tag for the command. A Tag value may be any value between 0 and 31 regardless of the queue depth supported. If the device does not support command queuing or overlap is disabled, this field is not applicable.

REL - Shall be cleared to zero.

I/O - Shall be set to one indicating the transfer is to the host.

C/D - Shall be cleared to zero indicating the transfer of data.

Device/Head register -

DEV shall indicate the selected device.

Status register -

BSY - Shall be cleared to zero.

DRDY - Shall be set to one.

DF (Device Fault) - Shall be cleared to zero

SERV (Service) - Shall be set to one if another command is ready to be serviced.

DRQ - Shall be set to one.

CHK - Shall be cleared to zero.

### 8.24.5.2 Release

If the device performs a bus release before transferring data for this command, the register content upon performing a bus release shall be as shown below.

| Register      | 7   | 6    | 5   | 4    | 3   | 2   | 1   | 0   |
|---------------|-----|------|-----|------|-----|-----|-----|-----|
| Error         | na  |      |     |      |     |     |     |     |
| Sector Count  | Tag |      |     |      |     | REL | I/O | C/D |
| Sector Number | na  |      |     |      |     |     |     |     |
| Cylinder Low  | na  |      |     |      |     |     |     |     |
| Cylinder High | na  |      |     |      |     |     |     |     |
| Device/Head   | obs | na   | obs | DEV  | na  |     |     |     |
| Status        | BSY | DRDY | DF  | SERV | DRQ | na  | na  | ERR |

Sector Count register -

Tag - If the device supports command queuing, this field shall contain the Tag of the command being bus released. If the device does not support command queuing, this field shall be zeros.  
 REL shall be set to one.  
 I/O shall be zero.  
 C/D shall be zero.

Device/Head register -

DEV shall indicate the selected device.

Status register -

BSY shall be cleared to zero indicating bus release.  
 DRDY shall be set to one.  
 SERV (Service) shall be cleared to zero when no other queued command is ready for service. SERV shall be set to one when another queued command is ready for service. SERV shall be set to one when the device has prepared this command for service.  
 DF (Device Fault) shall be cleared to zero  
 DRQ bit shall be cleared to zero.  
 ERR bit shall be cleared to zero.

**8.24.5.3 Service request**

When the device is ready to transfer data or complete a command after the command has performed a bus release, the device shall set the SERV bit and not change the state of any other register bit (see 6.9). When the SERVICE command is received, the device shall set outputs as described in data transfer, command completion, or error outputs depending on the service the device requires.

**8.24.5.4 Command completion**

When the transfer of all requested data has occurred without error, the register content shall be as shown below.

| Register      | 7   | 6    | 5   | 4    | 3   | 2   | 1   | 0   |
|---------------|-----|------|-----|------|-----|-----|-----|-----|
| Error         | 00h |      |     |      |     |     |     |     |
| Sector Count  | Tag |      |     |      |     | REL | I/O | C/D |
| Sector Number | na  |      |     |      |     |     |     |     |
| Cylinder Low  | na  |      |     |      |     |     |     |     |
| Cylinder High | na  |      |     |      |     |     |     |     |
| Device/Head   | obs | na   | obs | DEV  | na  |     |     |     |
| Status        | BSY | DRDY | DF  | SERV | DRQ | na  | na  | ERR |

Sector Count register -

Tag - If the device supports command queuing, this field shall contain the Tag of the completed command. If the device does not support command queuing, this field shall be zeros.  
 REL shall be cleared to zero.  
 I/O shall be set to one.  
 C/D shall be set to one.

Device/Head register -

DEV shall indicate the selected device.

Status register -

BSY shall be cleared to zero indicating command completion.  
 DRDY shall be set to one.  
 SERV (Service) shall be cleared to zero when no other queued command is ready for service. SERV shall be set to one when another queued command is ready for service.  
 DF (Device Fault) shall be cleared to zero.  
 DRQ bit shall be cleared to zero.  
 ERR bit shall be cleared to zero.



### 8.24.6 Error outputs

The Sector Count register contains the Tag for this command if the device supports command queuing. The device shall return command aborted if the command is not supported or if the device has not had overlapped interrupt enabled. The device shall return command aborted if the device supports command queuing and the Tag is invalid. An unrecoverable error encountered during the execution of this command results in the termination of the command and the Command Block registers contain the sector where the first unrecoverable error occurred. If a queue existed, the unrecoverable error shall cause the queue to abort.

| Register      | 7                    | 6    | 5   | 4    | 3                  | 2    | 1   | 0   |
|---------------|----------------------|------|-----|------|--------------------|------|-----|-----|
| Error         | ICRC                 | UNC  | MC  | IDNF | MCR                | ABRT | NM  | obs |
| Sector Count  | Tag                  |      |     |      |                    | REL  | I/O | C/D |
| Sector Number | Sector number or LBA |      |     |      |                    |      |     |     |
| Cylinder Low  | Cylinder low or LBA  |      |     |      |                    |      |     |     |
| Cylinder High | Cylinder high or LBA |      |     |      |                    |      |     |     |
| Device/Head   | obs                  | na   | obs | DEV  | Head number or LBA |      |     |     |
| Status        | BSY                  | DRDY | DF  | SERV | DRQ                | na   | na  | ERR |

#### Error register -

ICRC shall be set to one if an interface CRC error has occurred during an Ultra DMA data transfer. The content of this bit is not applicable for Multiword DMA transfers.

UNC shall be set to one if data is uncorrectable.

MC shall be set to one if the media in a removable media device changed since the issuance of the last command. The device shall clear the device internal media change detected state.

IDNF shall be set to one if a user-accessible address could not be found and after an unsuccessful INITIALIZE DEVICE PARAMETERS command until a valid CHS translation is established (see 8.16.8). IDNF shall be set to one if an address outside of the range of user-accessible addresses is requested if ABRT is not set to one.

MCR shall be set to one if a media change request has been detected by a removable media device. This bit is only cleared by a GET MEDIA STATUS or a media access command.

ABRT shall be set to one if this command is not supported or if an error, including an ICRC error, has occurred during an Ultra DMA data transfer. ABRT may be set to one if the device is not able to complete the action requested by the command. ABRT shall be set to one if an address outside of the range of user-accessible addresses is requested if IDNF is not set to one.

NM shall be set to one if no media is present in a removable media device.

#### Sector Count register -

Tag - If the device supports command queuing, this field shall contain the Tag of the completed command. If the device does not support command queuing, this field shall be zeros.

REL shall be cleared to zero.

I/O shall be set to one.

C/D shall be set to one.

#### Sector Number, Cylinder Low, Cylinder High, Device/Head -

shall be written with the address of first unrecoverable error.

DEV shall indicate the selected device.

#### Status register -

BSY shall be cleared to zero indicating command completion.

DRDY shall be set to one.

DF (Device Fault) shall be set to one if a device fault has occurred.

SERV (Service) shall be cleared to zero when no other queued command is ready for service. SERV shall be set to one when another queued command is ready for service.

DRQ shall be cleared to zero.

ERR shall be set to one if an Error register bit is set to one.

### 8.24.7 Prerequisites

DRDY set to one. The host shall initialize the DMA channel.

### 8.24.8 Description

This command executes in a similar manner to a READ DMA command. The device may perform a bus release or may execute the data transfer without performing a bus release if the data is ready to transfer.

## 8.25 READ MULTIPLE

### 8.25.1 Command code

C4h

### 8.25.2 Feature set

General feature set

- Mandatory for devices not implementing the PACKET Command feature set.
- Use prohibited for devices implementing the PACKET Command feature set.

### 8.25.3 Protocol

PIO data-in (see 9.5).

### 8.25.4 Inputs

| Register      | 7                    | 6   | 5   | 4   | 3                  | 2 | 1 | 0 |
|---------------|----------------------|-----|-----|-----|--------------------|---|---|---|
| Features      | na                   |     |     |     |                    |   |   |   |
| Sector Count  | Sector count         |     |     |     |                    |   |   |   |
| Sector Number | Sector number or LBA |     |     |     |                    |   |   |   |
| Cylinder Low  | Cylinder low or LBA  |     |     |     |                    |   |   |   |
| Cylinder High | Cylinder high or LBA |     |     |     |                    |   |   |   |
| Device/Head   | obs                  | LBA | obs | DEV | Head number or LBA |   |   |   |
| Command       | C4h                  |     |     |     |                    |   |   |   |

Sector Count -

number of sectors to be transferred. A value of 00h indicates that 256 sectors are to be transferred.

Sector Number -

starting sector number or LBA address bits (7:0).

Cylinder Low -

starting cylinder number bits (7:0) or LBA address bits (15:8).

Cylinder High -

starting cylinder number bits (15:8) or LBA address bits (23:16).

Device/Head -

bit 6 set to one if LBA address, cleared to zero if CHS address.

DEV shall indicate the selected device.

bits (3:0) starting head number or LBA address bits (27:24).

### 8.25.5 Normal outputs

| Register      | 7   | 6    | 5   | 4   | 3   | 2  | 1  | 0   |
|---------------|-----|------|-----|-----|-----|----|----|-----|
| Error         | na  |      |     |     |     |    |    |     |
| Sector Count  | na  |      |     |     |     |    |    |     |
| Sector Number | na  |      |     |     |     |    |    |     |
| Cylinder Low  | na  |      |     |     |     |    |    |     |
| Cylinder High | na  |      |     |     |     |    |    |     |
| Device/Head   | obs | na   | obs | DEV | na  | na | na | na  |
| Status        | BSY | DRDY | DF  | na  | DRQ | na | na | ERR |

Device/Head register -

DEV shall indicate the selected device.

Status register -

BSY shall be cleared to zero indicating command completion.

DRDY shall be set to one.

DF (Device Fault) shall be cleared to zero.

DRQ shall be cleared to zero.

ERR shall be cleared to zero.

### 8.25.6 Error outputs

An unrecoverable error encountered during the execution of this command results in the termination of the command. The Command Block registers contain the address of the sector where the first unrecoverable error occurred. The amount of data transferred is indeterminate.

| Register      | 7                    | 6    | 5   | 4    | 3                  | 2    | 1  | 0   |
|---------------|----------------------|------|-----|------|--------------------|------|----|-----|
| Error         | na                   | UNC  | MC  | IDNF | MCR                | ABRT | NM | obs |
| Sector Count  | na                   |      |     |      |                    |      |    |     |
| Sector Number | Sector number or LBA |      |     |      |                    |      |    |     |
| Cylinder Low  | Cylinder low or LBA  |      |     |      |                    |      |    |     |
| Cylinder High | Cylinder high or LBA |      |     |      |                    |      |    |     |
| Device/Head   | obs                  | na   | obs | DEV  | Head number or LBA |      |    |     |
| Status        | BSY                  | DRDY | DF  | na   | DRQ                | na   | na | ERR |

Error register -

UNC shall be set to one if data is uncorrectable.

MC shall be set to one if the media in a removable media device changed since the issuance of the last command. The device shall clear the device internal media change detected state.

IDNF shall be set to one if a user-accessible address could not be found and after an unsuccessful INITIALIZE DEVICE PARAMETERS command until a valid CHS translation is established (see 8.16.8). IDNF shall be set to one if an address outside of the range of user-accessible addresses is requested if command aborted is not returned.

MCR shall be set to one if a media change request has been detected by a removable media device. This bit is only cleared by a GET MEDIA STATUS or a media access command.

ABRT shall be set to one if this command is not supported or if an error, including an ICRC error, has occurred during an Ultra DMA data transfer. ABRT may be set to one if the device is not able to complete the action requested by the command. ABRT shall be set to one if an address outside of the range of user-accessible addresses is requested if IDNF is not set to one.

NM shall be set to one if no media is present in a removable media device.

Sector Number, Cylinder Low, Cylinder High, Device/Head -

shall be written with the address of first unrecoverable error.

DEV shall indicate the selected device.

Status register -

BSY shall be cleared to zero indicating command completion.  
DRDY shall be set to one.  
DF (Device Fault) shall be set to one if a device fault has occurred.  
DRQ shall be cleared to zero.  
ERR shall be set to one if an Error register bit is set to one.

### 8.25.7 Prerequisites

DRDY set to one. If bit 8 of IDENTIFY DEVICE word 59 is cleared to zero, a successful SET MULTIPLE MODE command shall precede a READ MULTIPLE command.

### 8.25.8 Description

The READ MULTIPLE command performs the same as the READ SECTOR(S) command except that when the device is ready to transfer data for a block of sectors, the device clears BSY, sets DRDY and DRQ (and sets DF, ERR, and the bits in the Error register, as required), and enters the interrupt pending state only before the data transfer for the first sector of the block sectors. The remaining sectors for the block are transferred without the device asserting INTRQ. In addition, the DRQ qualification of the transfer is required only before the first sector of a block, not before each sector of the block.

The number of sectors per block is defined by a successful SET MULTIPLE command. If no successful SET MULTIPLE command has been issued, the block is defined by the device's default value for number of sectors per block as defined in bits 0-7 in word 47 in the IDENTIFY DEVICE information.

If bit 8 equals 1 and bits 0-7 are cleared to zero in word 59 in the IDENTIFY DEVICE information, then the block count of sectors to be transferred without intervening interrupts shall be programmed by the SET MULTIPLE MODE command before issuing the first READ MULTIPLE or WRITE MULTIPLE command after a power-on or hardware reset. If bit 8 in word 1 is set to one and bits 0-7 are not cleared to zero in word 59 in the IDENTIFY DEVICE information, then the block count of sectors to be transferred without intervening interrupts may be reprogrammed by the SET MULTIPLE MODE command before issuing the next READ MULTIPLE or WRITE MULTIPLE command.

When the READ MULTIPLE command is issued, the Sector Count register contains the number of sectors (not the number of blocks) requested.

If the number of requested sectors is not evenly divisible by the block count, as many full blocks as possible are transferred, followed by a final, partial block transfer. The partial block transfer shall be for  $n$  sectors, where  $n = \text{remainder}(\text{sector count} / \text{block count})$ .

If the READ MULTIPLE command is received when READ MULTIPLE commands are disabled, the READ MULTIPLE operation shall be rejected with command aborted.

Device errors encountered during READ MULTIPLE commands are posted at the beginning of the block or partial block transfer, but the DRQ bit is still set to one and the data transfer shall take place, including transfer of corrupted data, if any. The contents of the Command Block Registers following the transfer of a data block that had a sector in error are undefined. The host should retry the transfer as individual requests to obtain valid error information.

Subsequent blocks or partial blocks are transferred only if the error was a correctable data error. All other errors cause the command to stop after transfer of the block that contained the error.

## 8.26 READ NATIVE MAX ADDRESS

### 8.26.1 Command code

F8h

### 8.26.2 Feature set

Host Protected Area feature set.

- Mandatory when the Host Protected Area feature set is implemented.
- Use prohibited when Removable feature set is implemented.

### 8.26.3 Protocol

Non-data command (see 9.4).

### 8.26.4 Inputs

| Register      | 7   | 6   | 5   | 4   | 3  | 2 | 1 | 0 |
|---------------|-----|-----|-----|-----|----|---|---|---|
| Features      | na  |     |     |     |    |   |   |   |
| Sector Count  | na  |     |     |     |    |   |   |   |
| Sector Number | na  |     |     |     |    |   |   |   |
| Cylinder Low  | na  |     |     |     |    |   |   |   |
| Cylinder High | na  |     |     |     |    |   |   |   |
| Device/Head   | obs | LBA | obs | DEV | na |   |   |   |
| Command       | F8h |     |     |     |    |   |   |   |

Device/Head -

If LBA is set to one, the maximum address shall be reported as an LBA value.

If LBA is cleared to zero, the maximum address shall be reported as a CHS value.

DEV shall indicate the selected device.

### 8.26.5 Normal outputs

| Register      | 7                                       | 6    | 5   | 4   | 3                              | 2  | 1  | 0   |
|---------------|---|------|-----|-----|--------------------------------|----|----|-----|
| Error         | na                                      |      |     |     |                                |    |    |     |
| Sector Count  | na                                      |      |     |     |                                |    |    |     |
| Sector Number | Native max address sector number or LBA |      |     |     |                                |    |    |     |
| Cylinder Low  | Native max address cylinder low or LBA  |      |     |     |                                |    |    |     |
| Cylinder High | Native max address cylinder high or LBA |      |     |     |                                |    |    |     |
| Device/Head   | obs                                     | na   | obs | DEV | Native max address head or LBA |    |    |     |
| Status        | BSY                                     | DRDY | DF  | na  | DRQ                            | na | na | ERR |

Sector Number -

maximum native sector number (IDENTIFY DEVICE word 6) or LBA bits (7:0) for native max address on the device.

Cylinder Low -

maximum native cylinder number low or LBA bits (15:8) for native max address on the device.

Cylinder High -

maximum native cylinder number high or LBA bits (23:16) for native max address on device.

Device/Head -

maximum native head number (IDENTIFY DEVICE word 3 minus one) or LBA bits (27:24) for native max address on the device.

DEV shall indicate the selected device.

Status register -

BSY shall be cleared to zero indicating command completion.

DRDY shall be set to one.

DF (Device Fault) shall be cleared to zero.

DRQ shall be cleared to zero.

ERR shall be cleared to zero.

### 8.26.6 Error outputs

If this command is not supported the device shall return command aborted. The device shall return command aborted if a CHS address is requested and the device does not support a CHS translation.

| Register      | 7   | 6    | 5   | 4   | 3  | 2    | 1  | 0   |
|---------------|-----|------|-----|-----|----|------|----|-----|
| Error         | na  | na   | na  | na  | na | ABRT | na | na  |
| Sector Count  | na  |      |     |     |    |      |    |     |
| Sector Number | na  |      |     |     |    |      |    |     |
| Cylinder Low  | na  |      |     |     |    |      |    |     |
| Cylinder High | na  |      |     |     |    |      |    |     |
| Device/Head   | obs | na   | obs | DEV | na |      |    |     |
| Status        | BSY | DRDY | na  | na  | na | na   | na | ERR |

Error register -

ABRT shall be set to one if this command is not supported. ABRT may be set to one if the device is not able to complete the action requested by the command.

Device/Head register -

DEV shall indicate the selected device.

Status register -

BSY shall be cleared to zero indicating command completion.

DRDY shall be set to one.

ERR shall be set to one if an Error register bit is set to one.

### 8.26.7 Prerequisites

DRDY set to one.

### 8.26.8 Description

This command returns the native maximum address. The native maximum address is the highest address accepted by the device in the factory default condition. The native maximum address is the maximum address that is valid when using the SET MAX ADDRESS command.

## 8.27 READ SECTOR(S)

### 8.27.1 Command code

20h

## 8.27.2 Feature set

General feature set

- Mandatory for all devices.
- 
- PACKET Command feature set devices (see 8.27.5.2).

## 8.27.3 Protocol

PIO data-in (see 9.5).

## 8.27.4 Inputs

| Register      | 7                    | 6   | 5   | 4   | 3                  | 2 | 1 | 0 |
|---------------|----------------------|-----|-----|-----|--------------------|---|---|---|
| Features      | na                   |     |     |     |                    |   |   |   |
| Sector Count  | Sector count         |     |     |     |                    |   |   |   |
| Sector Number | Sector number or LBA |     |     |     |                    |   |   |   |
| Cylinder Low  | Cylinder low or LBA  |     |     |     |                    |   |   |   |
| Cylinder High | Cylinder high or LBA |     |     |     |                    |   |   |   |
| Device/Head   | obs                  | LBA | obs | DEV | Head number or LBA |   |   |   |
| Command       | 20h                  |     |     |     |                    |   |   |   |

Sector Count -

number of sectors to be transferred. A value of 00h indicates that 256 sectors are to be transferred.

Sector Number -

starting sector number or LBA address bits (7:0).

Cylinder Low -

starting cylinder number bits (7:0) or LBA address bits (15:8).

Cylinder High -

starting cylinder number bits (15:8) or LBA address bits (23:16).

Device/Head -

bit 6 set to one if LBA address, cleared to zero if CHS address.

DEV shall indicate the selected device.

bits (3:0) starting head number or LBA address bits (27:24).

## 8.27.5 Outputs

### 8.27.5.1 Normal outputs

| Register      | 7   | 6    | 5   | 4   | 3   | 2  | 1  | 0   |
|---------------|-----|------|-----|-----|-----|----|----|-----|
| Error         | na  |      |     |     |     |    |    |     |
| Sector Count  | na  |      |     |     |     |    |    |     |
| Sector Number | na  |      |     |     |     |    |    |     |
| Cylinder Low  | na  |      |     |     |     |    |    |     |
| Cylinder High | na  |      |     |     |     |    |    |     |
| Device/Head   | obs | na   | obs | DEV | na  | na | na | na  |
| Status        | BSY | DRDY | DF  | na  | DRQ | na | na | ERR |

Device/Head register -

DEV shall indicate the selected device.

Status register -

BSY shall be cleared to zero indicating command completion.

DRDY shall be set to one.

DF (Device Fault) shall be cleared to zero.

DRQ shall be cleared to zero.  
ERR shall be cleared to zero.

### 8.27.5.2 Outputs for PACKET Command feature set devices

In response to this command, devices that implement the PACKET Command feature set shall post command aborted and place the PACKET Command feature set signature in the Cylinder High and the Cylinder Low register (see 9.12).

### 8.27.6 Error outputs

An unrecoverable error encountered during the execution of this command results in the termination of the command. The Command Block registers contain the address of the sector where the first unrecoverable error occurred. The amount of data transferred is indeterminate.

| Register      | 7                    | 6    | 5   | 4    | 3                  | 2    | 1  | 0   |
|---------------|----------------------|------|-----|------|--------------------|------|----|-----|
| Error         | na                   | UNC  | MC  | IDNF | MCR                | ABRT | NM | obs |
| Sector Count  | na                   |      |     |      |                    |      |    |     |
| Sector Number | Sector number or LBA |      |     |      |                    |      |    |     |
| Cylinder Low  | Cylinder low or LBA  |      |     |      |                    |      |    |     |
| Cylinder High | Cylinder high or LBA |      |     |      |                    |      |    |     |
| Device/Head   | obs                  | na   | obs | DEV  | Head number or LBA |      |    |     |
| Status        | BSY                  | DRDY | DF  | na   | DRQ                | na   | na | ERR |

Error register -

UNC shall be set to one if data is uncorrectable.

MC shall be set to one if the media in a removable media device changed since the issuance of the last command. The device shall clear the device internal media change detected state.

IDNF shall be set to one if a user-accessible address could not be found and after an unsuccessful INITIALIZE DEVICE PARAMETERS command until a valid CHS translation is established (see 8.16.8). IDNF shall be set to one if an address outside of the range of user-accessible addresses is requested if command aborted is not returned.

MCR shall be set to one if a media change request has been detected by a removable media device. This bit is only cleared by a GET MEDIA STATUS or a media access command.

ABRT shall be set to one if this command is not supported or if an error, including an ICRC error, has occurred during an Ultra DMA data transfer. ABRT may be set to one if the device is not able to complete the action requested by the command. ABRT shall be set to one if an address outside of the range of user-accessible addresses is requested if IDNF is not set to one.

NM shall be set to one if no media is present in a removable media device.

Sector Number, Cylinder Low, Cylinder High, Device/Head -

shall be written with the address of first unrecoverable error.

DEV shall indicate the selected device.

Status register -

BSY shall be cleared to zero indicating command completion.

DRDY shall be set to one.

DF (Device Fault) shall be set to one if a device fault has occurred.

DRQ shall be cleared to zero.

ERR shall be set to one if an Error register bit is set to one.

### 8.27.7 Prerequisites

DRDY set to one.



### 8.27.8 Description

This command reads from 1 to 256 sectors as specified in the Sector Count register. A sector count of 0 requests 256 sectors. The transfer shall begin at the sector specified in the Sector Number register.

The DRQ bit is always set to one prior to data transfer regardless of the presence or absence of an error condition.

## 8.28 READ VERIFY SECTOR(S)

### 8.28.1 Command code

40h

### 8.28.2 Feature set

General feature set

- Mandatory for all devices not implementing the PACKET Command feature set.
- Use prohibited for devices implementing the PACKET Command feature set.

### 8.28.3 Protocol

Non-data (see 9.4).

### 8.28.4 Inputs

| Register      | 7                    | 6   | 5   | 4   | 3                  | 2 | 1 | 0 |
|---------------|----------------------|-----|-----|-----|--------------------|---|---|---|
| Features      | na                   |     |     |     |                    |   |   |   |
| Sector Count  | Sector count         |     |     |     |                    |   |   |   |
| Sector Number | Sector number or LBA |     |     |     |                    |   |   |   |
| Cylinder Low  | Cylinder low or LBA  |     |     |     |                    |   |   |   |
| Cylinder High | Cylinder high or LBA |     |     |     |                    |   |   |   |
| Device/Head   | obs                  | LBA | obs | DEV | Head number or LBA |   |   |   |
| Command       | 40h                  |     |     |     |                    |   |   |   |

Sector Count -

number of sectors to be transferred. A value of 00h indicates that 256 sectors are to be transferred.

Sector Number -

starting sector number or LBA address bits (7:0).

Cylinder Low -

starting cylinder number bits (7:0) or LBA address bits (15:8).

Cylinder High -

starting cylinder number bits (15:8) or LBA address bits (23:16).

Device/Head -

bit 6 set to one if LBA address, cleared to zero if CHS address.

DEV shall indicate the selected device.

bits (3:0) starting head number or LBA address bits (27:24).

### 8.28.5 Normal outputs

| Register      | 7   | 6    | 5   | 4   | 3   | 2  | 1  | 0   |
|---------------|-----|------|-----|-----|-----|----|----|-----|
| Error         | na  |      |     |     |     |    |    |     |
| Sector Count  | na  |      |     |     |     |    |    |     |
| Sector Number | na  |      |     |     |     |    |    |     |
| Cylinder Low  | na  |      |     |     |     |    |    |     |
| Cylinder High | na  |      |     |     |     |    |    |     |
| Device/Head   | obs | na   | obs | DEV | na  | na | na | na  |
| Status        | BSY | DRDY | DF  | na  | DRQ | na | na | ERR |

Device/Head register -

DEV shall indicate the selected device.

Status register -

BSY shall be cleared to zero indicating command completion.

DRDY shall be set to one.

DF (Device Fault) shall be cleared to zero.

DRQ shall be cleared to zero.

ERR shall be cleared to zero.

### 8.28.6 Error outputs

An unrecoverable error encountered during the execution of this command results in the termination of the command. The Command Block registers contain the address of the sector where the first unrecoverable error occurred.

| Register      | 7                    | 6    | 5   | 4    | 3                  | 2    | 1  | 0   |
|---------------|----------------------|------|-----|------|--------------------|------|----|-----|
| Error         | na                   | UNC  | MC  | IDNF | MCR                | ABRT | NM | obs |
| Sector Count  | na                   |      |     |      |                    |      |    |     |
| Sector Number | Sector number or LBA |      |     |      |                    |      |    |     |
| Cylinder Low  | Cylinder low or LBA  |      |     |      |                    |      |    |     |
| Cylinder High | Cylinder high or LBA |      |     |      |                    |      |    |     |
| Device/Head   | obs                  | na   | obs | DEV  | Head number or LBA |      |    |     |
| Status        | BSY                  | DRDY | DF  | na   | DRQ                | na   | na | ERR |

Error register -

UNC shall be set to one if data is uncorrectable.

MC shall be set to one if the media in a removable media device changed since the issuance of the last command. The device shall clear the device internal media change detected state.

IDNF shall be set to one if a user-accessible address could not be found and after an unsuccessful INITIALIZE DEVICE PARAMETERS command until a valid CHS translation is established (see 8.16.8). IDNF shall be set to one if an address outside of the range of user-accessible addresses is requested if command aborted is not returned.

MCR shall be set to one if a media change request has been detected by a removable media device. This bit is only cleared by a GET MEDIA STATUS or a media access command.

ABRT shall be set to one if this command is not supported or if an error, including an ICRC error, has occurred during an Ultra DMA data transfer. ABRT may be set to one if the device is not able to complete the action requested by the command. ABRT shall be set to one if an address outside of the range of user-accessible addresses is requested if IDNF is not set to one.

NM shall be set to one if no media is present in a removable media device.

Sector Number, Cylinder Low, Cylinder High, Device/Head -

shall be written with the address of first unrecoverable error.

DEV shall indicate the selected device.

Status register -

BSY shall be cleared to zero indicating command completion.  
 DRDY shall be set to one.  
 DF (Device Fault) shall be set to one if a device fault has occurred.  
 DRQ shall be cleared to zero.  
 ERR shall be set to one if an Error register bit is set to one.

### 8.28.7 Prerequisites

DRDY set to one.

### 8.28.8 Description

This command is identical to the READ SECTOR(S) command, except that the DRQ bit is never set to one, and no data is transferred to the host.

## 8.29 SECURITY DISABLE PASSWORD

### 8.29.1 Command code

F6h

### 8.29.2 Feature set

Security Mode feature set.

- Mandatory when the Security Mode feature set is implemented.

### 8.29.3 Protocol

PIO data-out (see 9.6).

### 8.29.4 Inputs

| Register      | 7   | 6  | 5   | 4   | 3  | 2  | 1  | 0  |
|---------------|-----|----|-----|-----|----|----|----|----|
| Features      | na  |    |     |     |    |    |    |    |
| Sector Count  | na  |    |     |     |    |    |    |    |
| Sector Number | na  |    |     |     |    |    |    |    |
| Cylinder Low  | na  |    |     |     |    |    |    |    |
| Cylinder High | na  |    |     |     |    |    |    |    |
| Device/Head   | obs | na | obs | DEV | na | na | na | na |
| Command       | F6h |    |     |     |    |    |    |    |

Device/Head register -

DEV shall indicate the selected device.

### 8.29.5 Normal outputs

| Register      | 7   | 6    | 5   | 4   | 3   | 2  | 1  | 0   |
|---------------|-----|------|-----|-----|-----|----|----|-----|
| Error         | na  |      |     |     |     |    |    |     |
| Sector Count  | na  |      |     |     |     |    |    |     |
| Sector Number | na  |      |     |     |     |    |    |     |
| Cylinder Low  | na  |      |     |     |     |    |    |     |
| Cylinder High | na  |      |     |     |     |    |    |     |
| Device/Head   | obs | na   | obs | DEV | na  | na | na | na  |
| Status        | BSY | DRDY | DF  | na  | DRQ | na | na | ERR |

Device/Head register -

DEV shall indicate the selected device.

Status register -

BSY shall be cleared to zero indicating command completion.

DRDY shall be set to one.

DF (Device Fault) shall be cleared to zero.

DRQ shall be cleared to zero.

ERR shall be cleared to zero.

### 8.29.6 Error outputs

The device shall return command aborted if the command is not supported, the device is in Locked mode, or the device is in Frozen mode.

| Register      | 7   | 6    | 5   | 4   | 3   | 2    | 1  | 0   |
|---------------|-----|------|-----|-----|-----|------|----|-----|
| Error         | na  | na   | na  | na  | na  | ABRT | na | na  |
| Sector Count  | na  |      |     |     |     |      |    |     |
| Sector Number | na  |      |     |     |     |      |    |     |
| Cylinder Low  | na  |      |     |     |     |      |    |     |
| Cylinder High | na  |      |     |     |     |      |    |     |
| Device/Head   | obs | na   | obs | DEV | na  |      |    |     |
| Status        | BSY | DRDY | DF  | na  | DRQ | na   | na | ERR |

Error register -

ABRT shall be set to one if this command is not supported. ABRT may be set to one if the device is not able to complete the action requested by the command.

Device/Head register -

DEV shall indicate the selected device.

Status register -

BSY shall be cleared to zero indicating command completion.

DRDY shall be set to one.

DF (Device Fault) shall be set to one if a device fault has occurred.

DRQ shall be cleared to zero.

ERR shall be set to one if an Error register bit is set to one.

### 8.29.7 Prerequisites

DRDY set to one. Device shall be in Unlocked mode.

### 8.29.8 Description

The SECURITY DISABLE PASSWORD command requests a transfer of a single sector of data from the host. Table 24 defines the content of this sector of information. If the password selected by word 0 matches the

password previously saved by the device, the device disables the Lock mode. This command does not change the Master password that may be reactivated later by setting a User password (see 6.13).

**Table 24 - Security password content**

| Word   | Content  |
|--------|--|
| 0      | Control word<br>Bit 0 Identifier 0=compare User password<br>1=compare Master password<br>Bit 1-15 Reserved |
| 1-16   | Password (32 bytes)  |
| 17-255 | Reserved   |

## 8.30 SECURITY ERASE PREPARE

### 8.30.1 Command code

F3h

### 8.30.2 Feature set

Security Mode feature set.

- Mandatory when the Security Mode feature set is implemented.

### 8.30.3 Protocol

Non-data (see 9.4).

### 8.30.4 Inputs

| Register      | 7   | 6  | 5   | 4   | 3  | 2  | 1  | 0  |
|---------------|-----|----|-----|-----|----|----|----|----|
| Features      | na  |    |     |     |    |    |    |    |
| Sector Count  | na  |    |     |     |    |    |    |    |
| Sector Number | na  |    |     |     |    |    |    |    |
| Cylinder Low  | na  |    |     |     |    |    |    |    |
| Cylinder High | na  |    |     |     |    |    |    |    |
| Device/Head   | obs | na | obs | DEV | na | na | na | na |
| Command       | F3h |    |     |     |    |    |    |    |

Device/Head register -

DEV shall indicate the selected device.

### 8.30.5 Normal outputs

| Register      | 7   | 6    | 5   | 4   | 3   | 2  | 1  | 0   |
|---------------|-----|------|-----|-----|-----|----|----|-----|
| Error         | na  |      |     |     |     |    |    |     |
| Sector Count  | na  |      |     |     |     |    |    |     |
| Sector Number | na  |      |     |     |     |    |    |     |
| Cylinder Low  | na  |      |     |     |     |    |    |     |
| Cylinder High | na  |      |     |     |     |    |    |     |
| Device/Head   | obs | na   | obs | DEV | na  | na | na | na  |
| Status        | BSY | DRDY | DF  | na  | DRQ | na | na | ERR |

Device/Head register -

DEV shall indicate the selected device.

Status register -

BSY shall be cleared to zero indicating command completion.

DRDY shall be set to one.

DF (Device Fault) shall be cleared to zero.

DRQ shall be cleared to zero.

ERR shall be cleared to zero.

### 8.30.6 Error outputs

The device shall return command aborted if the command is not supported or the device is in Frozen mode.

| Register      | 7   | 6    | 5   | 4   | 3   | 2    | 1  | 0   |
|---------------|-----|------|-----|-----|-----|------|----|-----|
| Error         | na  | na   | na  | na  | na  | ABRT | na | na  |
| Sector Count  | na  |      |     |     |     |      |    |     |
| Sector Number | na  |      |     |     |     |      |    |     |
| Cylinder Low  | na  |      |     |     |     |      |    |     |
| Cylinder High | na  |      |     |     |     |      |    |     |
| Device/Head   | obs | na   | obs | DEV | na  |      |    |     |
| Status        | BSY | DRDY | DF  | na  | DRQ | na   | na | ERR |

Error register -

ABRT shall be set to one if this command is not supported or device is in Frozen mode. ABRT may be set to one if the device is not able to complete the action requested by the command.

NOTE – In a previous revision of this standard, there were conflicting descriptions of the handling of this command when in the Frozen mode.

Device/Head register -

DEV shall indicate the selected device.

Status register -

BSY shall be cleared to zero indicating command completion.

DRDY shall be set to one.

DF (Device Fault) shall be set to one if a device fault has occurred.

DRQ shall be cleared to zero.

ERR shall be set to one if an Error register bit is set to one.

### 8.30.7 Prerequisites

DRDY set to one.

### 8.30.8 Description

The SECURITY ERASE PREPARE command shall be issued immediately before the SECURITY ERASE UNIT command to enable device erasing and unlocking. This command prevents accidental erase of the device.

## 8.31 SECURITY ERASE UNIT

### 8.31.1 Command code

F4h

### 8.31.2 Feature set

Security Mode feature set.

- Mandatory when the Security Mode feature set is implemented.

### 8.31.3 Protocol

PIO data-out (see 9.6).

### 8.31.4 Inputs

| Register      | 7   | 6  | 5   | 4   | 3  | 2  | 1  | 0  |
|---------------|-----|----|-----|-----|----|----|----|----|
| Features      | na  |    |     |     |    |    |    |    |
| Sector Count  | na  |    |     |     |    |    |    |    |
| Sector Number | na  |    |     |     |    |    |    |    |
| Cylinder Low  | na  |    |     |     |    |    |    |    |
| Cylinder High | na  |    |     |     |    |    |    |    |
| Device/Head   | obs | na | obs | DEV | na | na | na | na |
| Command       | F4h |    |     |     |    |    |    |    |

Device/Head register -

DEV shall indicate the selected device.

### 8.31.5 Normal outputs

| Register      | 7   | 6    | 5   | 4   | 3   | 2  | 1  | 0   |
|---------------|-----|------|-----|-----|-----|----|----|-----|
| Error         | na  |      |     |     |     |    |    |     |
| Sector Count  | na  |      |     |     |     |    |    |     |
| Sector Number | na  |      |     |     |     |    |    |     |
| Cylinder Low  | na  |      |     |     |     |    |    |     |
| Cylinder High | na  |      |     |     |     |    |    |     |
| Device/Head   | obs | na   | obs | DEV | na  | na | na | na  |
| Status        | BSY | DRDY | DF  | na  | DRQ | na | na | ERR |

Device/Head register -

DEV shall indicate the selected device.

Status register -

BSY shall be cleared to zero indicating command completion.

DRDY shall be set to one.

DF (Device Fault) shall be cleared to zero.

DRQ shall be cleared to zero.

ERR shall be cleared to zero.

### 8.31.6 Error outputs

The device shall return command aborted if the command is not supported, the device is in Frozen mode, not preceded by a SECURITY ERASE PREPARE command, or if the data area is not successfully overwritten.

| Register      | 7   | 6    | 5   | 4   | 3   | 2    | 1  | 0   |
|---------------|-----|------|-----|-----|-----|------|----|-----|
| Error         | na  | na   | na  | na  | na  | ABRT | na | na  |
| Sector Count  | na  |      |     |     |     |      |    |     |
| Sector Number | na  |      |     |     |     |      |    |     |
| Cylinder Low  | na  |      |     |     |     |      |    |     |
| Cylinder High | na  |      |     |     |     |      |    |     |
| Device/Head   | obs | na   | obs | DEV | na  |      |    |     |
| Status        | BSY | DRDY | DF  | na  | DRQ | na   | na | ERR |

#### Error register -

ABRT shall be set to one if this command is not supported, device is in Frozen mode, not preceded by a SECURITY ERASE PREPARE command, or if the data area is not successfully overwritten.

ABRT may be set to one if the device is not able to complete the action requested by the command.

#### Device/Head register -

DEV shall indicate the selected device.

#### Status register -

BSY shall be cleared to zero indicating command completion.

DRDY shall be set to one.

DF (Device Fault) shall be set to one if a device fault has occurred.

DRQ shall be cleared to zero.

ERR shall be set to one if an Error register bit is set to one.

### 8.31.7 Prerequisites

DRDY set to one. This command shall be immediately preceded by a SECURITY ERASE PREPARE command.

### 8.31.8 Description

This command requests transfer of a single sector of data from the host. Table 25 defines the content of this sector of information. If the password does not match the password previously saved by the device, the device rejects the command with command aborted.

The SECURITY ERASE PREPARE command shall be completed immediately prior to the SECURITY ERASE UNIT command. If the device receives a SECURITY ERASE UNIT command without an immediately prior SECURITY ERASE PREPARE command, the device command aborts the SECURITY ERASE UNIT command.

When normal erase mode is selected, the SECURITY ERASE UNIT command writes binary zeroes to all user data areas. The enhanced erase mode is optional. When enhanced erase mode is selected, the device writes predetermined data patterns to all user data areas. In enhanced mode, all previously written user data is overwritten, including sectors that are no longer in use due to reallocation.

This command disables the device Lock mode, however, the Master password is still stored internally within the device and may be reactivated later when a new User password is set.



**Table 25 - SECURITY ERASE UNIT password**

| Word   | Content   |
|--------|---|
| 0      | Control word<br>Bit 0 Identifier 0=compare User password<br>1=compare Master password<br>Bit 1 Erase mode 0=Normal erase<br>1=Enhanced erase<br>Bit 2-15 Reserved |
| 1-16   | Password (32 bytes)   |
| 17-255 | Reserved  |

## 8.32 SECURITY FREEZE LOCK

### 8.32.1 Command code

F5h

### 8.32.2 Feature set

Security Mode feature set.

- Mandatory when the Security Mode feature set is implemented.

### 8.32.3 Protocol

Non-data (see 9.4).

### 8.32.4 Inputs

| Register      | 7   | 6  | 5   | 4   | 3  | 2  | 1  | 0  |
|---------------|-----|----|-----|-----|----|----|----|----|
| Features      | na  |    |     |     |    |    |    |    |
| Sector Count  | na  |    |     |     |    |    |    |    |
| Sector Number | na  |    |     |     |    |    |    |    |
| Cylinder Low  | na  |    |     |     |    |    |    |    |
| Cylinder High | na  |    |     |     |    |    |    |    |
| Device/Head   | obs | na | obs | DEV | na | na | na | na |
| Command       | F5h |    |     |     |    |    |    |    |

Device/Head register -

DEV shall indicate the selected device.

### 8.32.5 Normal outputs

| Register      | 7   | 6    | 5   | 4   | 3   | 2  | 1  | 0   |
|---------------|-----|------|-----|-----|-----|----|----|-----|
| Error         | na  |      |     |     |     |    |    |     |
| Sector Count  | na  |      |     |     |     |    |    |     |
| Sector Number | na  |      |     |     |     |    |    |     |
| Cylinder Low  | na  |      |     |     |     |    |    |     |
| Cylinder High | na  |      |     |     |     |    |    |     |
| Device/Head   | obs | na   | obs | DEV | na  | na | na | na  |
| Status        | BSY | DRDY | DF  | na  | DRQ | na | na | ERR |

Device/Head register -

DEV shall indicate the selected device.

## Status register -

BSY shall be cleared to zero indicating command completion.  
 DRDY shall be set to one.  
 DF (Device Fault) shall be cleared to zero.  
 DRQ shall be cleared to zero.  
 ERR shall be cleared to zero.

**8.32.6 Error outputs**

The device shall return command aborted if the command is not supported, or the device is in Locked mode.

| Register      | 7   | 6    | 5   | 4   | 3   | 2    | 1  | 0   |
|---------------|-----|------|-----|-----|-----|------|----|-----|
| Error         | na  | na   | na  | na  | na  | ABRT | na | na  |
| Sector Count  | na  |      |     |     |     |      |    |     |
| Sector Number | na  |      |     |     |     |      |    |     |
| Cylinder Low  | na  |      |     |     |     |      |    |     |
| Cylinder High | na  |      |     |     |     |      |    |     |
| Device/Head   | obs | na   | obs | DEV | na  |      |    |     |
| Status        | BSY | DRDY | DF  | na  | DRQ | na   | na | ERR |

## Error register -

ABRT shall be set to one if this command is not supported or device is in locked mode. ABRT may be set to one if the device is not able to complete the action requested by the command.

## Device/Head register -

DEV shall indicate the selected device.

## Status register -

BSY shall be cleared to zero indicating command completion.  
 DRDY shall be set to one.  
 DF (Device Fault) shall be set to one if a device fault has occurred.  
 DRQ shall be cleared to zero.  
 ERR shall be set to one if an Error register bit is set to one.

**8.32.7 Prerequisites**

DRDY set to one.

**8.32.8 Description**

The SECURITY FREEZE LOCK command sets the device to Frozen mode. After command completion any other commands that update the device Lock mode are rejected. Frozen mode is disabled by power-off or hardware reset. If SECURITY FREEZE LOCK is issued when the device is in Frozen mode, the command executes and the device remains in Frozen mode.

Commands disabled by SECURITY FREEZE LOCK are:

- SECURITY SET PASSWORD
- SECURITY UNLOCK
- SECURITY DISABLE PASSWORD
- SECURITY ERASE PREPARE
- SECURITY ERASE UNIT

## 8.33 SECURITY SET PASSWORD

### 8.33.1 Command code

F1h

### 8.33.2 Feature set

Security Mode feature set.

- Mandatory when the Security Mode feature set is implemented.

### 8.33.3 Protocol

PIO data-out (see 9.6).

### 8.33.4 Inputs

| Register      | 7   | 6  | 5   | 4   | 3  | 2  | 1  | 0  |
|---------------|-----|----|-----|-----|----|----|----|----|
| Features      | na  |    |     |     |    |    |    |    |
| Sector Count  | na  |    |     |     |    |    |    |    |
| Sector Number | na  |    |     |     |    |    |    |    |
| Cylinder Low  | na  |    |     |     |    |    |    |    |
| Cylinder High | na  |    |     |     |    |    |    |    |
| Device/Head   | obs | na | obs | DEV | na | na | na | na |
| Command       | F1h |    |     |     |    |    |    |    |

Device/Head register -

DEV shall indicate the selected device.

### 8.33.5 Normal outputs

| Register      | 7   | 6    | 5   | 4   | 3   | 2  | 1  | 0   |
|---------------|-----|------|-----|-----|-----|----|----|-----|
| Error         | na  |      |     |     |     |    |    |     |
| Sector Count  | na  |      |     |     |     |    |    |     |
| Sector Number | na  |      |     |     |     |    |    |     |
| Cylinder Low  | na  |      |     |     |     |    |    |     |
| Cylinder High | na  |      |     |     |     |    |    |     |
| Device/Head   | obs | na   | obs | DEV | na  | na | na | na  |
| Status        | BSY | DRDY | DF  | na  | DRQ | na | na | ERR |

Device/Head register -

DEV shall indicate the selected device.

Status register -

BSY shall be cleared to zero indicating command completion.

DRDY shall be set to one.

DF (Device Fault) shall be cleared to zero.

DRQ shall be cleared to zero.

ERR shall be cleared to zero.

### 8.33.6 Error outputs

The device shall return command aborted if the command is not supported, the device is in Locked mode, or the device is in Frozen mode.

| Register      | 7   | 6    | 5   | 4   | 3   | 2    | 1  | 0   |
|---------------|-----|------|-----|-----|-----|------|----|-----|
| Error         | na  | na   | na  | na  | na  | ABRT | na | na  |
| Sector Count  | na  |      |     |     |     |      |    |     |
| Sector Number | na  |      |     |     |     |      |    |     |
| Cylinder Low  | na  |      |     |     |     |      |    |     |
| Cylinder High | na  |      |     |     |     |      |    |     |
| Device/Head   | obs | na   | obs | DEV | na  |      |    |     |
| Status        | BSY | DRDY | DF  | na  | DRQ | na   | na | ERR |

Error register -

ABRT shall be set to one if this command is not supported, if device is in Frozen mode, or if device is in locked mode. ABRT may be set to one if the device is not able to complete the action requested by the command.

Device/Head register -

DEV shall indicate the selected device.

Status register -

BSY shall be cleared to zero indicating command completion.

DRDY shall be set to one.

DF (Device Fault) shall be set to one if a device fault has occurred.

DRQ shall be cleared to zero.

ERR shall be set to one if an Error register bit is set to one.

### 8.33.7 Prerequisites

DRDY set to one.

### 8.33.8 Description

This command requests a transfer of a single sector of data from the host. Table 26 defines the content of this sector of information. The data transferred controls the function of this command. Table 27 defines the interaction of the identifier and security level bits.

The revision code field is returned in the IDENTIFY DEVICE word 92. The valid revision codes are 0001h through FFFEh. A value of 0000h or FFFFh indicates that the Master Password Revision Code is not supported.

**Table 26 - SECURITY SET PASSWORD data content**

| Word   | Content   |                |  |
|--------|---|----------------|--|
| 0      | Control word  |                |  |
|        | Bit 0   | Identifier     | 0=set User password<br>1=set Master password |
|        | Bits 1-7  | Reserved       |  |
|        | Bit 8   | Security level | 0=High<br>1=Maximum                          |
|        | Bits 9-15   | Reserved       |  |
| 1-16   | Password (32 bytes)                                       |                |  |
| 17     | Master Password Revision Code (valid if word 0 bit 0 = 1) |                |  |
| 18-255 | Reserved  |                |  |

**Table 27 - Identifier and security level bit interaction**

| Identifier | Level           | Command result   |
|------------|-----------------|--|
| User       | High            | The password supplied with the command shall be saved as the new User password. The Lock mode shall be enabled from the next power-on or hardware reset. The device shall then be unlocked by either the User password or the previously set Master password.  |
| User       | Maximum         | The password supplied with the command shall be saved as the new User password. The Lock mode shall be enabled from the next power-on or hardware reset. The device shall then be unlocked by only the User password. The Master password previously set is still stored in the device but shall not be used to unlock the device. |
| Master     | High or Maximum | This combination shall set a Master password but shall not enable or disable the Lock mode. The security level is not changed. Master password revision code set to the value in Master Password Revision Code field.  |

## 8.34 SECURITY UNLOCK

### 8.34.1 Command code

F2h

### 8.34.2 Feature set

Security Mode feature set.

- Mandatory when the Security Mode feature set is implemented.

### 8.34.3 Protocol

PIO data-out (see 9.6).

### 8.34.4 Inputs

| Register      | 7   | 6  | 5   | 4   | 3  | 2  | 1  | 0  |
|---------------|-----|----|-----|-----|----|----|----|----|
| Features      | na  |    |     |     |    |    |    |    |
| Sector Count  | na  |    |     |     |    |    |    |    |
| Sector Number | na  |    |     |     |    |    |    |    |
| Cylinder Low  | na  |    |     |     |    |    |    |    |
| Cylinder High | na  |    |     |     |    |    |    |    |
| Device/Head   | obs | na | obs | DEV | na | na | na | na |
| Command       | F2h |    |     |     |    |    |    |    |

Device/Head register -

DEV shall indicate the selected device.

### 8.34.5 Normal outputs

| Register      | 7   | 6    | 5   | 4   | 3   | 2  | 1  | 0   |
|---------------|-----|------|-----|-----|-----|----|----|-----|
| Error         | na  |      |     |     |     |    |    |     |
| Sector Count  | na  |      |     |     |     |    |    |     |
| Sector Number | na  |      |     |     |     |    |    |     |
| Cylinder Low  | na  |      |     |     |     |    |    |     |
| Cylinder High | na  |      |     |     |     |    |    |     |
| Device/Head   | obs | na   | obs | DEV | na  | na | na | na  |
| Status        | BSY | DRDY | DF  | na  | DRQ | na | na | ERR |

**Device/Head register -**

DEV shall indicate the selected device.

**Status register -**

BSY shall be cleared to zero indicating command completion.

DRDY shall be set to one.

DF (Device Fault) shall be cleared to zero.

DRQ shall be cleared to zero.

ERR shall be cleared to zero.

**8.34.6 Error outputs**

The device shall return command aborted if the command is not supported, or the device is in Frozen mode.

| <b>Register</b> | <b>7</b> | <b>6</b> | <b>5</b> | <b>4</b> | <b>3</b> | <b>2</b> | <b>1</b> | <b>0</b> |
|-----------------|----------|----------|----------|----------|----------|----------|----------|----------|
| Error           | na       | na       | na       | na       | na       | ABRT     | na       | na       |
| Sector Count    | na       |          |          |          |          |          |          |          |
| Sector Number   | na       |          |          |          |          |          |          |          |
| Cylinder Low    | na       |          |          |          |          |          |          |          |
| Cylinder High   | na       |          |          |          |          |          |          |          |
| Device/Head     | obs      | na       | obs      | DEV      | na       |          |          |          |
| Status          | BSY      | DRDY     | DF       | na       | DRQ      | na       | na       | ERR      |

**Error register -**

ABRT shall be set to one if this command is not supported or if device is in Frozen mode. ABRT may be set to one if the device is not able to complete the action requested by the command.

**Device/Head register -**

DEV shall indicate the selected device.

**Status register -**

BSY shall be cleared to zero indicating command completion.

DRDY shall be set to one.

DF (Device Fault) shall be set to one if a device fault has occurred.

DRQ shall be cleared to zero.

ERR shall be set to one if an Error register bit is set to one.

**8.34.7 Prerequisites**

DRDY set to one.

**8.34.8 Description**

This command requests transfer of a single sector of data from the host. Table 24 defines the content of this sector of information.

If the Identifier bit is set to Master and the device is in high security level, then the password supplied shall be compared with the stored Master password. If the device is in maximum security level then the unlock shall be rejected.

If the Identifier bit is set to user then the device compares the supplied password with the stored User password.

If the password compare fails then the device returns command aborted to the host and decrements the unlock counter. This counter is initially set to five and is decremented for each password mismatch when SECURITY UNLOCK is issued and the device is locked. When this counter reaches zero then SECURITY UNLOCK and SECURITY ERASE UNIT commands are command aborted until a power-on reset or a hardware reset. SECURITY UNLOCK commands issued when the device is unlocked have no effect on the unlock counter.

## 8.35 SEEK

### 8.35.1 Command code

70h

### 8.35.2 Feature set

General feature set

- Mandatory for devices not implementing the PACKET Command feature set.
- Use prohibited for devices implementing the PACKET Command feature set.

### 8.35.3 Protocol

Non-data (see 9.4).

### 8.35.4 Inputs

The Cylinder High register, the Cylinder Low register, the head portion of Device/Head register, and the Sector Number register contain the address of a sector that the host may request in a subsequent command.

| Register      | 7                    | 6   | 5   | 4   | 3                  | 2 | 1 | 0 |
|---------------|----------------------|-----|-----|-----|--------------------|---|---|---|
| Features      | na                   |     |     |     |                    |   |   |   |
| Sector Count  | na                   |     |     |     |                    |   |   |   |
| Sector Number | Sector number or LBA |     |     |     |                    |   |   |   |
| Cylinder Low  | Cylinder low or LBA  |     |     |     |                    |   |   |   |
| Cylinder High | Cylinder high or LBA |     |     |     |                    |   |   |   |
| Device/Head   | obs                  | LBA | obs | DEV | Head number or LBA |   |   |   |
| Command       | 70h                  |     |     |     |                    |   |   |   |

Sector Number -

sector number or LBA address bits (7:0).

Cylinder Low -

cylinder number bits (7:0) or LBA address bits (15:8).

Cylinder High -

cylinder number bits (15:8) or LBA address bits (23:16).

Device/Head -

bit 6 set to one if LBA address, cleared to zero if CHS address.

DEV shall indicate the selected device.

bits (3:0) head number or LBA address bits (27:24).

### 8.35.5 Normal outputs

| Register      | 7   | 6    | 5   | 4   | 3   | 2  | 1  | 0   |
|---------------|-----|------|-----|-----|-----|----|----|-----|
| Error         | na  |      |     |     |     |    |    |     |
| Sector Count  | na  |      |     |     |     |    |    |     |
| Sector Number | na  |      |     |     |     |    |    |     |
| Cylinder Low  | na  |      |     |     |     |    |    |     |
| Cylinder High | na  |      |     |     |     |    |    |     |
| Device/Head   | obs | na   | obs | DEV | na  | na | na | na  |
| Status        | BSY | DRDY | DF  | DSC | DRQ | na | na | ERR |

**Device/Head register -**

DEV shall indicate the selected device.

**Status register -**

BSY shall be cleared to zero indicating command completion.

DRDY shall be set to one.

DSC (Device Seek Complete) shall be set to one concurrent with or after the setting of DRDY to one.

DF (Device Fault) shall be cleared to zero.

DRQ shall be cleared to zero.

ERR shall be cleared to zero.

**8.35.6 Error outputs**

Some devices may not report IDNF because they do not range check the address values requested by the host.

| <b>Register</b> | <b>7</b> | <b>6</b> | <b>5</b> | <b>4</b> | <b>3</b> | <b>2</b> | <b>1</b> | <b>0</b> |
|-----------------|----------|----------|----------|----------|----------|----------|----------|----------|
| Error           | na       | na       | MC       | IDNF     | MCR      | ABRT     | NM       | na       |
| Sector Count    | na       |          |          |          |          |          |          |          |
| Sector Number   | na       |          |          |          |          |          |          |          |
| Cylinder Low    | na       |          |          |          |          |          |          |          |
| Cylinder High   | na       |          |          |          |          |          |          |          |
| Device/Head     | obs      | na       | obs      | DEV      | na       |          |          |          |
| Status          | BSY      | DRDY     | DF       | na       | DRQ      | na       | na       | ERR      |

**Error register -**

MC shall be set to one if the media in a removable media device changed since the issuance of the last command. The device shall clear the device internal media change detected state.

IDNF shall be set to one if a user-accessible address could not be found and after an unsuccessful INITIALIZE DEVICE PARAMETERS command until a valid CHS translation is established (see 8.16.8). IDNF shall be set to one if an address outside of the range of user-accessible addresses is requested if command aborted is not returned.

MCR shall be set to one if a media change request has been detected by a removable media device. This bit is only cleared by a GET MEDIA STATUS or a media access command.

ABRT shall be set to one if this command is not supported or if an error, including an ICRC error, has occurred during an Ultra DMA data transfer. ABRT may be set to one if the device is not able to complete the action requested by the command. ABRT shall be set to one if an address outside of the range of user-accessible addresses is requested if IDNF is not set to one.

NM shall be set to one if no media is present in a removable media device.

**Device/Head register -**

DEV shall indicate the selected device.

**Status register -**

BSY shall be cleared to zero indicating command completion.

DRDY shall be set to one.

DF (Device Fault) shall be set to one if a device fault has occurred.

DRQ shall be cleared to zero.

ERR shall be set to one if an Error register bit is set to one.

**8.35.7 Prerequisites**

DRDY set to one.



### 8.35.8 Description

This command allows the host to provide advanced notification that particular data may be requested by the host in a subsequent command. DSC shall be set to one concurrent with or after the setting of DRDY to one when updating the Status register for this command.

## 8.36 SERVICE

### 8.36.1 Command code

A2h

### 8.36.2 Feature set

Overlap and Queued feature sets

- Mandatory when the PACKET, Overlapped feature set is implemented.

### 8.36.3 Protocol

PACKET or READ/WRITE DMA QUEUED (see 9.8 and 9.9).

### 8.36.4 Inputs

| Register      | 7   | 6  | 5   | 4   | 3  | 2  | 1  | 0  |
|---------------|-----|----|-----|-----|----|----|----|----|
| Features      | na  |    |     |     |    |    |    |    |
| Sector Count  | na  |    |     |     |    |    |    |    |
| Sector Number | na  |    |     |     |    |    |    |    |
| Cylinder Low  | na  |    |     |     |    |    |    |    |
| Cylinder High | na  |    |     |     |    |    |    |    |
| Device/Head   | obs | na | obs | DEV | na | na | na | na |
| Command       | A2h |    |     |     |    |    |    |    |

Device/Head register -

DEV shall indicate the selected device.

### 8.36.5 Outputs

Outputs as a result of a SERVICE command are described in the command description for the command for which SERVICE is being requested.

### 8.36.6 Prerequisites

The device shall have performed a bus release for a previous overlap PACKET, READ DMA QUEUED, or WRITE DMA QUEUED command and shall have set the SERV bit to one to request the SERVICE command be issued to continue data transfer and/or provide command status (see 8.37.19).

### 8.36.7 Description

The SERVICE command is used to provide data transfer and/or status of a command that was previously bus released.

## 8.37 SET FEATURES

### 8.37.1 Command code

EFh

### 8.37.2 Feature set

General feature set

- Mandatory for all devices.
- Set transfer mode subcommand is mandatory.
- Enable/disable write cache subcommands are mandatory when a write cache is implemented.
- Enable/Disable Media Status Notification sub commands are mandatory if the Removable Media feature set is implemented.
- All other subcommands are optional.

### 8.37.3 Protocol

Non-data (see 9.4).

### 8.37.4 Inputs

Table 28 defines the value of the subcommand in the Feature register. Some subcommands use other registers, such as the Sector Count register to pass additional information to the device.

| Register      | 7                   | 6  | 5   | 4   | 3  | 2  | 1  | 0  |
|---------------|---------------------|----|-----|-----|----|----|----|----|
| Features      | Subcommand code     |    |     |     |    |    |    |    |
| Sector Count  | Subcommand specific |    |     |     |    |    |    |    |
| Sector Number | Subcommand specific |    |     |     |    |    |    |    |
| Cylinder Low  | Subcommand specific |    |     |     |    |    |    |    |
| Cylinder High | Subcommand specific |    |     |     |    |    |    |    |
| Device/Head   | obs                 | na | obs | DEV | na | na | na | na |
| Command       | EFh                 |    |     |     |    |    |    |    |

Device/Head register -

DEV shall indicate the selected device.

### 8.37.5 Normal outputs

See the subcommand descriptions.

### 8.37.6 Error outputs

If any subcommand input value is not supported or is invalid, the device shall return command aborted.

| Register      | 7   | 6    | 5   | 4   | 3   | 2    | 1  | 0   |
|---------------|-----|------|-----|-----|-----|------|----|-----|
| Error         | na  | na   | na  | na  | na  | ABRT | na | na  |
| Sector Count  | na  |      |     |     |     |      |    |     |
| Sector Number | na  |      |     |     |     |      |    |     |
| Cylinder Low  | na  |      |     |     |     |      |    |     |
| Cylinder High | na  |      |     |     |     |      |    |     |
| Device/Head   | obs | na   | obs | DEV | na  |      |    |     |
| Status        | BSY | DRDY | DF  | na  | DRQ | na   | na | ERR |

Error register -

ABRT shall be set to one if this subcommand is not supported or if value is invalid. ABRT may be set to one if the device is not able to complete the action requested by the command.

Device/Head register -

DEV shall indicate the selected device.

Status register -

BSY shall be cleared to zero indicating command completion.

DRDY shall be set to one.

DF (Device Fault) shall be set to one if a device fault has occurred.

DRQ shall be cleared to zero.

ERR shall be set to one if an Error register bit is set to one.

### 8.37.7 Prerequisites

DRDY shall be set to one.

### 8.37.8 Description

This command is used by the host to establish parameters that affect the execution of certain device features. Table 28 defines these features.

At power-on, or after a hardware reset, the default settings of the functions specified by the subcommands are vendor specific.

**Table 28 - SET FEATURES register definitions**

| <b>Value</b><br>(see note)                                      |   |
|---|---|
| 01h   | Enable 8-bit PIO transfer mode (CFA feature set only)                               |
| 02h   | Enable write cache  |
| 03h   | Set transfer mode based on value in Sector Count register. Table 29 defines values. |
| 04h   | Obsolete  |
| 05h   | Enable advanced power management  |
| 06h   | Enable Power-Up In Standby feature set.   |
| 07h   | Power-Up In Standby feature set device spin-up.                                     |
| 09h   | Reserved for Address offset reserved area boot method technical report              |
| 0Ah   | Enable CFA power mode 1   |
| 31h   | Disable Media Status Notification   |
| 33h   | Obsolete  |
| 44h   | Obsolete  |
| 54h   | Obsolete  |
| 55h   | Disable read look-ahead feature   |
| 5Dh   | Enable release interrupt  |
| 5Eh   | Enable SERVICE interrupt  |
| 66h   | Disable reverting to power-on defaults  |
| 77h   | Obsolete  |
| 81h   | Disable 8-bit PIO transfer mode (CFA feature set only)                              |
| 82h   | Disable write cache   |
| 84h   | Obsolete  |
| 85h   | Disable advanced power management   |
| 86h   | Disable Power-Up In Standby feature set.  |
| 88h   | Obsolete  |
| 89h   | Reserved for Address offset reserved area boot method technical report              |
| 8Ah   | Disable CFA power mode 1  |
| 95h   | Enable Media Status Notification  |
| 99h   | Obsolete  |
| 9Ah   | Obsolete  |
| AAh   | Enable read look-ahead feature  |
| ABh   | Obsolete  |
| BBh   | Obsolete  |
| CCh   | Enable reverting to power-on defaults   |
| DDh   | Disable release interrupt   |
| DEh   | Disable SERVICE interrupt   |
| F0h-FFh   | Reserved for assignment by the CompactFlash™ Association                            |
| NOTE – All values not shown are reserved for future definition. |   |

### 8.37.9 Enable/disable 8-bit PIO data transfer

Devices implementing the CFA feature set shall support 8-bit PIO data transfers. Devices not implementing the CFA feature set shall not support 8-bit PIO data transfers. When 8-bit PIO data transfer is enabled the Data register is 8-bits wide using only DD7 to DD0.

### 8.37.10 Enable/disable write cache

Subcommand codes 02h and 82h allow the host to enable or disable write cache in devices that implement write cache. When the subcommand disable write cache is issued, the device shall initiate the sequence to flush cache to non-volatile memory before command completion (see 8.10).

### 8.37.11 Set transfer mode

A host selects the transfer mechanism by Set Transfer Mode, subcommand code 03h, and specifying a value in the Sector Count register. The upper 5 bits define the type of transfer and the low order 3 bits encode the mode value. The host may change the selected modes by the SET FEATURES command.

**Table 29 - Transfer mode values**

| Mode                            | Bits (7:3) | Bits (2:0) |
|---------------------------------|------------|------------|
| PIO default mode                | 00000b     | 000b       |
| PIO default mode, disable IORDY | 00000b     | 001b       |
| PIO flow control transfer mode  | 00001b     | mode       |
| Retired                         | 00010b     | na         |
| Multiword DMA mode              | 00100b     | mode       |
| Ultra DMA mode                  | 01000b     | mode       |
| Reserved                        | 10000b     | na         |
| mode = transfer mode number     |            |            |

If a device supports this standard, and receives a SET FEATURES command with a Set Transfer Mode parameter and a Sector Count register value of "0000000b", the device shall set the default PIO mode. If the value is "00000001b" and the device supports disabling of IORDY, then the device shall set the default PIO mode and disable IORDY. A device shall support all PIO modes below the highest mode supported, e.g., if PIO mode 1 is supported PIO mode 0 shall be supported.

Support of IORDY is mandatory when PIO mode 3 or above is the current mode of operation.

Devices reporting support for Multiword DMA mode 1 shall also support Multiword DMA mode 0. A device shall support all Multiword DMA modes below the highest mode supported, e.g., if Multiword DMA mode 1 is supported Multiword DMA mode 0 shall be supported.

A device shall support all Ultra DMA modes below the highest mode supported, e.g., if Ultra DMA mode 1 is supported Ultra DMA mode 0 shall be supported.

If an Ultra DMA mode is enabled any previously enabled Multiword DMA mode shall be disabled by the device. If a Multiword DMA mode is enabled any previously enabled Ultra DMA mode shall be disabled by the device.

For systems using a cable assembly, the host shall detect that an 80-conductor cable assembly is connecting the host with the device(s) before enabling any Ultra DMA mode greater than 2 in the device(s) (see Annex B).

### 8.37.12 Enable/disable advanced power management

Subcommand code 05h allows the host to enable Advanced Power Management. To enable Advanced Power Management, the host writes the Sector Count register with the desired advanced power management level and then executes a SET FEATURES command with subcommand code 05h. The power management level is a scale from the lowest power consumption setting of 01h to the maximum performance level of FEh. Table 30 shows these values.

**Table 30 - Advanced power management levels**

| Level  | Sector Count value |
|--|--------------------|
| Maximum performance                                  | FEh                |
| Intermediate power management levels without Standby | 81h-FDh            |
| Minimum power consumption without Standby            | 80h                |
| Intermediate power management levels with Standby    | 02h-7Fh            |
| Minimum power consumption with Standby               | 01h                |
| Reserved   | FFh                |
| Reserved   | 00h                |

Device performance may increase with increasing power management levels. Device power consumption may increase with increasing power management levels. The power management levels may contain discrete bands. For example, a device may implement one power management method from 80h to A0h and a higher performance, higher power consumption method from level A1h to FEh. Advanced power management levels 80h and higher do not permit the device to spin down to save power.

Subcommand code 85h disables Advanced Power Management. Subcommand 85h may not be implemented on all devices that implement SET FEATURES subcommand 05h.

#### **8.37.13 Enable/disable Power-Up In Standby feature set**

Subcommand code 06h enables the Power-Up In Standby feature set. When this feature set is enabled, the device shall power-up into Standby mode, i.e., the device shall be ready to receive commands but shall not spinup (see 6.18). Having been enabled, this feature shall remain enabled through power-down, hardware reset and software rest.

Subcommand code 86h disables the Power-Up In Standby feature set. When this feature set is disabled, the device shall power-up into Active mode. The factory default for this feature set shall be disabled.

#### **8.37.14 Enable/disable CFA power mode 1**

Subcommand code 0Ah enables CFA Power Mode 1. CFA devices may consume up to 500 mA maximum average RMS current for either 3.3V or 5V operation in Power Mode 1. CFA devices revert to Power Mode 1 on hardware or power-on reset. CFA devices revert to Power Mode 1 on software reset except when Set Features disable reverting to power-on defaults is set (see 8.12.57). Enabling CFA Power Mode 1 does not spin up rotating media devices.

Subcommand 8Ah disables CFA Power Mode 1, placing the device to CFA Power Mode 0. CFA devices may consume up to 75 mA maximum average RMS current for 3.3V or 100 mA maximum average RMS current for 5V operation in Power Mode 0.

A device in Power Mode 0 the device shall accept the following commands:

- IDENTIFY DEVICE
- SET FEATURES (function codes 0Ah and 8Ah)
- STANDBY
- STANDBY IMMEDIATE
- SLEEP
- CHECK POWER MODE
- EXECUTE DEVICE DIAGNOSTICS
- CFA REQUEST EXTENDED ERROR

A device in Power Mode 0 may accept any command that the device is capable of executing within the Power Mode 0 current restrictions. Commands that require more current than specified for Power Mode 0 shall be rejected with an abort error.

**8.37.15 Power-Up In Standby feature set device spin-up**

Subcommand code 07h shall cause a device that has powered-up into Standby to go to the Active state (see 6.18 and Figure 9).

**8.37.16 Enable/disable Media Status Notification**

Subcommand code 31h disables Media Status Notification and leaves the media in an unlocked state. If Media Status Notification is disabled when this subcommand is received, the subcommand has no effect.

Subcommand code 95h enables Media Status Notification and clears any previous media lock state. This subcommand returns the device capabilities for media eject, media lock, previous state of Media Status Notification and the current version of Media Status Notification supported in the Cylinder Low and Cylinder High registers as described below.

| Register      | 7   | 6 | 5 | 4 | 3 | 2   | 1    | 0    |
|---------------|-----|---|---|---|---|-----|------|------|
| Cylinder Low  | VER |   |   |   |   |     |      |      |
| Cylinder High | r   | r | r | r | r | PEJ | LOCK | PENA |

Cylinder Low register -

VER shall contain the Media Status Notification version supported by the device (currently 0x00h)

Cylinder High register -

PENA shall be set to one if Media Status Notification was enabled prior to the receipt of this command, LOCK shall be set to one if the device is capable of locking the media preventing manual ejection.

PEJ shall be set to one if the device has a power eject mechanism that is capable of physically ejecting the media when a MEDIA EJECT command is sent to the device. This bit must be set to zero if the device only unlocks the media when the device receives a MEDIA EJECT command.

r (reserved) shall be cleared to zero.

**8.37.17 Enable/disable read look-ahead**

Subcommand codes AAh and 55h allow the host to request the device to enable or disable read look-ahead. Error recovery performed by the device is vendor specific.

**8.37.18 Enable/disable release interrupt**

Subcommand codes 5Dh and DDh allow a host to enable or disable the asserting of interrupt pending when a device releases the bus for an overlapped PACKET command.

**8.37.19 Enable/disable SERVICE interrupt**

Subcommand codes 5Eh and DEh allow a host to enable or disable the asserting of an interrupt pending when DRQ is set to one in response to a SERVICE command.

**8.37.20 Enable/disable reverting to defaults**

Subcommand codes CCh and 66h allow the host to enable or disable the device from reverting to power-on default values. A setting of 66h allows settings that may have been modified since power-on to remain at the same setting after a software reset.

**8.38 SET MAX**

Individual SET MAX commands are identified by the value placed in the Features register. Table 31 shows these Features register values.

**Table 31 - SET MAX Features register values**

| Value   | Command              |
|---------|----------------------|
| 00h     | Obsolete             |
| 01h     | SET MAX SET PASSWORD |
| 02h     | SET MAX LOCK         |
| 03h     | SET MAX UNLOCK       |
| 04h     | SET MAX FREEZE LOCK  |
| 05h-FFh | Reserved             |

### 8.38.1 SET MAX ADDRESS

#### 8.38.1.1 Command code

F9h with the content of the Features register equal to 00h.

#### 8.38.1.2 Feature set

Host Protected Area feature set.

- Mandatory when the Host Protected Area feature set is implemented.
- Use prohibited when the Removable feature set is implemented.

#### 8.38.1.3 Protocol

Non-data command (see 9.4).

#### 8.38.1.4 Inputs

| Register      | 7   | 6   | 5   | 4   | 3   | 2 | 1 | 0   |
|---------------|---|-----|-----|-----|---|---|---|-----|
| Features      | na  |     |     |     |   |   |   |     |
| Sector Count  | na  |     |     |     |   |   |   | V V |
| Sector Number | Native max address sector number or SET MAX LBA |     |     |     |   |   |   |     |
| Cylinder Low  | SET MAX cylinder low or LBA                     |     |     |     |   |   |   |     |
| Cylinder High | SET MAX cylinder high or LBA                    |     |     |     |   |   |   |     |
| Device/Head   | obs   | LBA | obs | DEV | Native max address head number or SET MAX LBA |   |   |     |
| Command       | F9h   |     |     |     |   |   |   |     |

Sector Count -

V V (Value volatile). If bit 0 is set to one, the device shall preserve the maximum values over power-up or hardware reset. If bit 0 is cleared to zero, the device shall revert to the most recent non-volatile maximum address value setting over power-up or hardware reset.

Sector Number -

contains the native max address sector number (IDENTIFY DEVICE word 6) or LBA bits (7:0) value to be set.

Cylinder Low -

contains the maximum cylinder low or LBA bits (15:8) value to be set.

Cylinder High -

contains the maximum cylinder high or LBA bits (23:16) value to be set.

Device/Head -

if LBA is set to one, the maximum address value is an LBA value.  
If LBA is cleared to zero, the maximum address value is a CHS value.  
DEV shall indicate the selected device.



Bits (3:0) contain the native max address head number (IDENTIFY DEVICE word 3 minus one) or LBA bits (27:24) value to be set.

### 8.38.1.5 Normal outputs

| Register      | 7                                   | 6    | 5   | 4   | 3                          | 2  | 1  | 0   |
|---------------|-------------------------------------|------|-----|-----|----------------------------|----|----|-----|
| Error         | na                                  |      |     |     |                            |    |    |     |
| Sector Count  | na                                  |      |     |     |                            |    |    |     |
| Sector Number | Native max sector number or max LBA |      |     |     |                            |    |    |     |
| Cylinder Low  | Max cylinder low or LBA             |      |     |     |                            |    |    |     |
| Cylinder High | Max cylinder high or LBA            |      |     |     |                            |    |    |     |
| Device/Head   | obs                                 | na   | obs | DEV | Native max head or max LBA |    |    |     |
| Status        | BSY                                 | DRDY | DF  | na  | DRQ                        | na | na | ERR |

Sector Number -

maximum native sector number or LBA bits (7:0) set on the device.

Cylinder Low -

maximum cylinder number low or LBA bits (15:8) set on the device.

Cylinder High -

maximum cylinder number high or LBA bits (23:16) set on device.

Device/Head -

DEV shall indicate the selected device.

maximum native head number or LBA bits (27:24) set on the device.

Status register -

BSY shall be cleared to zero indicating command completion.

DRDY shall be set to one.

DF (Device Fault) shall be cleared to zero.

DRQ shall be cleared to zero.

ERR shall be cleared to zero.

### 8.38.1.6 Error outputs

If this command is not supported, the maximum value to be set exceeds the capacity of the device, or the device is in the Set\_Max\_Locked or Set\_Max\_Frozen state, then the device shall return command aborted.

| Register      | 7   | 6    | 5   | 4    | 3  | 2    | 1  | 0   |
|---------------|-----|------|-----|------|----|------|----|-----|
| Error         | na  | na   | na  | IDNF | na | ABRT | na | na  |
| Sector Count  | na  |      |     |      |    |      |    |     |
| Sector Number | na  |      |     |      |    |      |    |     |
| Cylinder Low  | na  |      |     |      |    |      |    |     |
| Cylinder High | na  |      |     |      |    |      |    |     |
| Device/Head   | obs | na   | obs | DEV  | na |      |    |     |
| Status        | BSY | DRDY | na  | na   | na | na   | na | ERR |

Error register -

ABRT shall be set to one if this command is not supported, maximum value requested exceeds the device capacity, the SET MAX cylinder number is greater than 16,383, or the command is not immediately preceded by a READ NATIVE MAX ADDRESS command. ABRT may be set to one if the device is not able to complete the action requested by the command.

IDNF shall be set to one if the command was the second non-volatile SET MAX ADDRESS command after power-on or hardware reset.

Device/Head register -

DEV shall indicate the selected device.

Status register -

BSY shall be cleared to zero indicating command completion.  
DRDY shall be set to one.  
ERR shall be set to one if an Error register bit is set to one.

### 8.38.1.7 Prerequisites

DRDY set to one. A successful READ NATIVE MAX ADDRESS command shall immediately precede a SET MAX ADDRESS command.

### 8.38.1.8 Description

After successful command completion, all read and write access attempts to addresses greater than specified by the successful SET MAX ADDRESS command shall be rejected with an IDNF error. IDENTIFY DEVICE response words 1, 54, 57, 60, and 61 shall reflect the maximum address set with this command.

Hosts should not issue more than one non-volatile SET MAX ADDRESS command after a power-on or hardware reset. Devices should report an IDNF error upon receiving a second non-volatile SET MAX ADDRESS command after a power-on or hardware reset.

The contents of IDENTIFY DEVICE words and the max address shall not be changed if a SET MAX ADDRESS command fails.

After a successful SET MAX ADDRESS command using a new maximum cylinder number value the content of all IDENTIFY DEVICE words shall comply with 6.2.1 in addition to the following:

- 1) The content of words 3, 6, 55, and 56 are unchanged
- 2) The content of word 1 shall equal (the new SET MAX cylinder number + 1) or 16,383, whichever is less
- 3) The content of words (61:60) shall equal [(the new content of word 1 as determined by the successful SET MAX ADDRESS command) \* (the content of word 3) \* (the content of word 6)]
- 4) If the content of words (61:60) as determined by a successful SET MAX ADDRESS command is less than 16,514,064, then the content of word 54 shall be equal to [(the content of words (61:60)) ÷ ((the content of IDENTIFY DEVICE word 55) \* (the content of word 56))] or 65,535, whichever is less
- 5) If the content of word (61:60) as determined by a successful SET MAX ADDRESS command is greater than 16,514,064, then word 54 shall equal the whole number result of [[(16,514,064) ÷ [(the content of word 55) \* (the content of word 56)]]] or 65,535 whichever is less) The content of words (58:57) shall be equal to [(the new content of word 54 as determined by the successful SET MAX ADDRESS command) \* (the content of word 55) \* (the content of word 56)]

After a successful SET MAX ADDRESS command using a new maximum LBA address the content of all IDENTIFY DEVICE words shall comply with 6.2.1 in addition to the following:

- The content of words (61:60) shall be equal to the new Maximum LBA address + 1.
- If the content of words (61:60) is greater than 16,514,064 and if the device does not support CHS addressing, then the content of words 1, 3, 6, 54, 55, 56, and (58:57) shall equal zero.

If the device supports CHS addressing:

- The content of words 3, 6, 55, and 56 are unchanged.
- If the new content of words (61:60) is less than 16,514,064, then the content of word 1 shall be equal to [(the new content of words (61:60)) ÷ [(the content of word 3) \* (the content of word 6)]] or 65,535, whichever is less.
- If the new content of words (61:60) is greater than or equal to 16,514,064, then the content of word 1 shall be equal to 16,383.
- If the new content of words (61:60) is less than 16,514,064, then the content of word 54 shall be equal to [(the new content of words (61:60)) ÷ [(the content of word 55) \* (the content of word 56)]].

- If the new content of words (61:60) is greater than or equal to 16,514,064, then the content of word 54 shall be equal to 16,383.
- Words (58:57) shall be equal to [(the content of word 54) \* (the content of word 55) \* (the content of word 56)].

## 8.38.2 SET MAX SET PASSWORD

### 8.38.2.1 Command code

F9h with the content of the Features register equal to 01h.

### 8.38.2.2 Feature set

Host Protected Area feature set.

- Mandatory when the Host Protected Area feature set security extensions are implemented.
- Use prohibited when the Removable feature set is implemented.

### 8.38.2.3 Protocol

PIO data-out (see 9.6).

### 8.38.2.4 Inputs

| Register      | 7   | 6  | 5   | 4   | 3  | 2 | 1 | 0 |
|---------------|-----|----|-----|-----|----|---|---|---|
| Features      | 01h |    |     |     |    |   |   |   |
| Sector Count  | na  |    |     |     |    |   |   |   |
| Sector Number | na  |    |     |     |    |   |   |   |
| Cylinder Low  | na  |    |     |     |    |   |   |   |
| Cylinder High | na  |    |     |     |    |   |   |   |
| Device/Head   | obs | na | obs | DEV | na |   |   |   |
| Command       | F9h |    |     |     |    |   |   |   |

Device/Head -

DEV shall indicate the selected device.

### 8.38.2.5 Normal outputs

| Register      | 7   | 6    | 5   | 4   | 3   | 2  | 1  | 0   |
|---------------|-----|------|-----|-----|-----|----|----|-----|
| Error         | na  |      |     |     |     |    |    |     |
| Sector Count  | na  |      |     |     |     |    |    |     |
| Sector Number | na  |      |     |     |     |    |    |     |
| Cylinder Low  | na  |      |     |     |     |    |    |     |
| Cylinder High | na  |      |     |     |     |    |    |     |
| Device/Head   | obs | na   | obs | DEV | na  |    |    |     |
| Status        | BSY | DRDY | DF  | na  | DRQ | na | na | ERR |

Device/Head -

DEV shall indicate the selected device.

Status register -

BSY shall be cleared to zero indicating command completion.

DRDY shall be set to one.

DF (Device Fault) shall be cleared to zero.

DRQ shall be cleared to zero.

ERR shall be cleared to zero.

### 8.38.2.6 Error outputs

| Register      | 7   | 6    | 5   | 4    | 3  | 2    | 1  | 0   |
|---------------|-----|------|-----|------|----|------|----|-----|
| Error         | na  | na   | na  | IDNF | na | ABRT | na | na  |
| Sector Count  | na  |      |     |      |    |      |    |     |
| Sector Number | na  |      |     |      |    |      |    |     |
| Cylinder Low  | na  |      |     |      |    |      |    |     |
| Cylinder High | na  |      |     |      |    |      |    |     |
| Device/Head   | obs | na   | obs | DEV  | na |      |    |     |
| Status        | BSY | DRDY | na  | na   | na | na   | na | ERR |

Error register -

ABRT shall be set to one if this command is not supported. or the device is in the Set\_Max\_Locked or Set\_Max\_Frozen state. ABRT may be set to one if the device is not able to complete the action requested by the command.

Device/Head register -

DEV shall indicate the selected device.

Status register -

BSY shall be cleared to zero indicating command completion.

DRDY shall be set to one.

ERR shall be set to one if an Error register bit is set to one.

### 8.38.2.7 Prerequisites

DRDY set to one. This command shall not be immediately preceded by a READ NATIVE MAX ADDRESS command. If this command is immediately preceded by a READ NATIVE MAX ADDRESS command, it shall be interpreted as a SET MAX ADDRESS command.

### 8.38.2.8 Description

This command requests a transfer of a single sector of data from the host. Table 32 defines the content of this sector of information. The password is retained by the device until the next power cycle. When the device accepts this command the device is in Set\_Max\_Unlocked state.

**Table 32 - SET MAX SET PASSWORD data content**

| Word   | Content             |
|--------|---------------------|
| 0      | Reserved            |
| 1-16   | Password (32 bytes) |
| 17-255 | Reserved            |

## 8.38.3 SET MAX LOCK

### 8.38.3.1 Command code

F9h with the content of the Features register equal to 02h.

### 8.38.3.2 Feature set

Host Protected Area feature set.

- Mandatory when the Host Protected Area feature set security extensions are implemented.
- Use prohibited when the Removable feature set is implemented.

### 8.38.3.3 Protocol

Non-data command (see 9.4).

### 8.38.3.4 Inputs

| Register      | 7   | 6  | 5   | 4   | 3  | 2 | 1 | 0 |
|---------------|-----|----|-----|-----|----|---|---|---|
| Features      | 02h |    |     |     |    |   |   |   |
| Sector Count  | na  |    |     |     |    |   |   |   |
| Sector Number | na  |    |     |     |    |   |   |   |
| Cylinder Low  | na  |    |     |     |    |   |   |   |
| Cylinder High | na  |    |     |     |    |   |   |   |
| Device/Head   | obs | na | obs | DEV | na |   |   |   |
| Command       | F9h |    |     |     |    |   |   |   |

Device/Head -

DEV shall indicate the selected device.

### 8.38.3.5 Normal outputs

| Register      | 7   | 6    | 5   | 4   | 3   | 2  | 1  | 0   |
|---------------|-----|------|-----|-----|-----|----|----|-----|
| Error         | na  |      |     |     |     |    |    |     |
| Sector Count  | na  |      |     |     |     |    |    |     |
| Sector Number | na  |      |     |     |     |    |    |     |
| Cylinder Low  | na  |      |     |     |     |    |    |     |
| Cylinder High | na  |      |     |     |     |    |    |     |
| Device/Head   | obs | na   | obs | DEV | na  |    |    |     |
| Status        | BSY | DRDY | DF  | na  | DRQ | na | na | ERR |

Device/Head -

DEV shall indicate the selected device.

Status register -

BSY shall be cleared to zero indicating command completion.

DRDY shall be set to one.

DF (Device Fault) shall be cleared to zero.

DRQ shall be cleared to zero.

ERR shall be cleared to zero.

### 8.38.3.6 Error outputs

| Register      | 7   | 6    | 5   | 4    | 3  | 2    | 1  | 0   |
|---------------|-----|------|-----|------|----|------|----|-----|
| Error         | na  | na   | na  | IDNF | na | ABRT | na | na  |
| Sector Count  | na  |      |     |      |    |      |    |     |
| Sector Number | na  |      |     |      |    |      |    |     |
| Cylinder Low  | na  |      |     |      |    |      |    |     |
| Cylinder High | na  |      |     |      |    |      |    |     |
| Device/Head   | obs | na   | obs | DEV  | na |      |    |     |
| Status        | BSY | DRDY | na  | na   | na | na   | na | ERR |

Error register -

ABRT shall be set to one if this command is not supported or the device is not in the Set\_Max\_Locked state. ABRT may be set to one if the device is not able to complete the action requested by the command.

Device/Head register -

DEV shall indicate the selected device.

Status register -

BSY shall be cleared to zero indicating command completion.

DRDY shall be set to one.

ERR shall be set to one if an Error register bit is set to one.

### 8.38.3.7 Prerequisites

DRDY set to one. This command shall not be immediately preceded by a READ NATIVE MAX ADDRESS command. If this command is immediately preceded by a READ NATIVE MAX ADDRESS command, it shall be interpreted as a SET MAX ADDRESS command.

### 8.38.3.8 Description

The SET MAX LOCK command sets the device into Set\_Max\_Locked state. After this command is completed any other SET MAX commands except SET MAX UNLOCK and SET MAX FREEZE LOCK are rejected. The device remains in this state until a power cycle or the acceptance of a SET MAX UNLOCK or SET MAX FREEZE LOCK command.

## 8.38.4 SET MAX UNLOCK

### 8.38.4.1 Command code

F9h with the content of the Features register equal to 03h.

### 8.38.4.2 Feature set

Host Protected Area feature set.

- Mandatory when the Host Protected Area feature set security extensions are implemented.
- Use prohibited when the Removable feature set is implemented.

### 8.38.4.3 Protocol

PIO data-out (see 9.6).

### 8.38.4.4 Inputs

| Register      | 7   | 6  | 5   | 4   | 3  | 2 | 1 | 0 |
|---------------|-----|----|-----|-----|----|---|---|---|
| Features      | 03h |    |     |     |    |   |   |   |
| Sector Count  | na  |    |     |     |    |   |   |   |
| Sector Number | na  |    |     |     |    |   |   |   |
| Cylinder Low  | na  |    |     |     |    |   |   |   |
| Cylinder High | na  |    |     |     |    |   |   |   |
| Device/Head   | obs | na | obs | DEV | na |   |   |   |
| Command       | F9h |    |     |     |    |   |   |   |

Device/Head -

DEV shall indicate the selected device.

**8.38.4.5 Normal outputs**

| Register      | 7   | 6    | 5   | 4   | 3   | 2  | 1  | 0   |
|---------------|-----|------|-----|-----|-----|----|----|-----|
| Error         | na  |      |     |     |     |    |    |     |
| Sector Count  | na  |      |     |     |     |    |    |     |
| Sector Number | na  |      |     |     |     |    |    |     |
| Cylinder Low  | na  |      |     |     |     |    |    |     |
| Cylinder High | na  |      |     |     |     |    |    |     |
| Device/Head   | obs | na   | obs | DEV | na  |    |    |     |
| Status        | BSY | DRDY | DF  | na  | DRQ | na | na | ERR |

Device/Head -

DEV shall indicate the selected device.

Status register -

BSY shall be cleared to zero indicating command completion.

DRDY shall be set to one.

DF (Device Fault) shall be cleared to zero.

DRQ shall be cleared to zero.

ERR shall be cleared to zero.

**8.38.4.6 Error outputs**

| Register      | 7   | 6    | 5   | 4    | 3  | 2    | 1  | 0   |
|---------------|-----|------|-----|------|----|------|----|-----|
| Error         | na  | na   | na  | IDNF | na | ABRT | na | na  |
| Sector Count  | na  |      |     |      |    |      |    |     |
| Sector Number | na  |      |     |      |    |      |    |     |
| Cylinder Low  | na  |      |     |      |    |      |    |     |
| Cylinder High | na  |      |     |      |    |      |    |     |
| Device/Head   | obs | na   | obs | DEV  | na |      |    |     |
| Status        | BSY | DRDY | na  | na   | na | na   | na | ERR |

Error register -

ABRT shall be set to one if this command is not supported or the device is not in the Set\_Max\_Locked state. ABRT may be set to one if the device is not able to complete the action requested by the command.

Device/Head register -

DEV shall indicate the selected device.

Status register -

BSY shall be cleared to zero indicating command completion.

DRDY shall be set to one.

ERR shall be set to one if an Error register bit is set to one.

**8.38.4.7 Prerequisites**

DRDY set to one. This command shall not be immediately preceded by a READ NATIVE MAX ADDRESS command. If this command is immediately preceded by a READ NATIVE MAX ADDRESS command, it shall be interpreted as a SET MAX ADDRESS command.

**8.38.4.8 Description**

This command requests a transfer of a single sector of data from the host. Table 32 defines the content of this sector of information.

The password supplied in the sector of data transferred shall be compared with the stored SET MAX password.

If the password compare fails, then the device returns command aborted and decrements the unlock counter. On the acceptance of the SET MAX LOCK command, this counter is set to a value of five and shall be decremented for each password mismatch when SET MAX UNLOCK is issued and the device is locked. When this counter reaches zero, then the SET MAX UNLOCK command shall return command aborted until a power cycle.

If the password compare matches, then the device shall make a transition to the Set\_Max\_Unlocked state and all SET MAX commands shall be accepted.

### 8.38.5 SET MAX FREEZE LOCK

#### 8.38.5.1 Command code

F9h with the content of the Features register equal to 04h.

#### 8.38.5.2 Feature set

Host Protected Area feature set.

- Mandatory when the Host Protected Area feature set security extensions are implemented.
- Use prohibited when the Removable feature set is implemented.

#### 8.38.5.3 Protocol

Non-data command (see 9.4).

#### 8.38.5.4 Inputs

| Register      | 7   | 6  | 5   | 4   | 3  | 2 | 1 | 0 |
|---------------|-----|----|-----|-----|----|---|---|---|
| Features      | 04h |    |     |     |    |   |   |   |
| Sector Count  | na  |    |     |     |    |   |   |   |
| Sector Number | na  |    |     |     |    |   |   |   |
| Cylinder Low  | na  |    |     |     |    |   |   |   |
| Cylinder High | na  |    |     |     |    |   |   |   |
| Device/Head   | obs | na | obs | DEV | na |   |   |   |
| Command       | F9h |    |     |     |    |   |   |   |

Device/Head -

DEV shall indicate the selected device.

#### 8.38.5.5 Normal outputs

| Register      | 7   | 6    | 5   | 4   | 3   | 2  | 1  | 0   |
|---------------|-----|------|-----|-----|-----|----|----|-----|
| Error         | na  |      |     |     |     |    |    |     |
| Sector Count  | na  |      |     |     |     |    |    |     |
| Sector Number | na  |      |     |     |     |    |    |     |
| Cylinder Low  | na  |      |     |     |     |    |    |     |
| Cylinder High | na  |      |     |     |     |    |    |     |
| Device/Head   | obs | na   | obs | DEV | na  |    |    |     |
| Status        | BSY | DRDY | DF  | na  | DRQ | na | na | ERR |

Device/Head -

DEV shall indicate the selected device.



**Status register -**

BSY shall be cleared to zero indicating command completion.

DRDY shall be set to one.

DF (Device Fault) shall be cleared to zero.

DRQ shall be cleared to zero.

ERR shall be cleared to zero.

**8.38.5.6 Error outputs**

| Register      | 7   | 6    | 5   | 4   | 3  | 2    | 1  | 0   |
|---------------|-----|------|-----|-----|----|------|----|-----|
| Error         | na  | na   | na  | na  | na | ABRT | na | na  |
| Sector Count  | na  |      |     |     |    |      |    |     |
| Sector Number | na  |      |     |     |    |      |    |     |
| Cylinder Low  | na  |      |     |     |    |      |    |     |
| Cylinder High | na  |      |     |     |    |      |    |     |
| Device/Head   | obs | na   | obs | DEV | na |      |    |     |
| Status        | BSY | DRDY | na  | na  | na | na   | na | ERR |

**Error register -**

ABRT shall be set to one if this command is not supported or the device is in the Set\_Max\_Unlocked state. ABRT may be set to one if the device is not able to complete the action requested by the command.

**Device/Head register -**

DEV shall indicate the selected device.

**Status register -**

BSY shall be cleared to zero indicating command completion.

DRDY shall be set to one.

ERR shall be set to one if an Error register bit is set to one.

**8.38.5.7 Prerequisites**

DRDY set to one. A SET MAX SET PASSWORD command shall previously have been successfully completed. This command shall not be immediately preceded by a READ NATIVE MAX ADDRESS command. If this command is immediately preceded by a READ NATIVE MAX ADDRESS command, it shall be interpreted as a SET MAX ADDRESS command.

**8.38.5.8 Description**

The SET MAX FREEZE LOCK command sets the device to Set\_Max\_Frozen state. After command completion any subsequent SET MAX commands are rejected.

Commands disabled by SET MAX FREEZE LOCK are:

- SET MAX ADDRESS
- SET MAX SET PASSWORD
- SET MAX LOCK
- SET MAX UNLOCK

**8.39 SET MULTIPLE MODE****8.39.1 Command code**

C6h

### 8.39.2 Feature set

General feature set

Mandatory for devices not implementing the PACKET Command feature set.

Use prohibited for devices implementing the PACKET Command feature set.

### 8.39.3 Protocol

Non-data (see 9.4).

### 8.39.4 Inputs

If the content of the Sector Count register is not zero, then the Sector Count register contains the number of sectors per block for the device to be used on all following READ/WRITE MULTIPLE commands. The content of the Sector Count register shall be less than or equal to the value in bits 0-7 in word 47 in the IDENTIFY DEVICE information. The host should set the content of the Sector Count register to 1, 2, 4, 8, 16, 32, 64 or 128.

If the content of the Sector Count register is zero and the SET MULTIPLE command completes without error, then the device shall respond to any subsequent READ MULTIPLE or WRITE MULTIPLE command with command aborted until a subsequent successful SET MULTIPLE command completion where the Sector Count register is not set to zero.

| Register      | 7                 | 6  | 5   | 4   | 3  | 2  | 1  | 0  |
|---------------|-------------------|----|-----|-----|----|----|----|----|
| Features      | na                |    |     |     |    |    |    |    |
| Sector Count  | Sectors per block |    |     |     |    |    |    |    |
| Sector Number | na                |    |     |     |    |    |    |    |
| Cylinder Low  | na                |    |     |     |    |    |    |    |
| Cylinder High | na                |    |     |     |    |    |    |    |
| Device/Head   | obs               | na | obs | DEV | na | na | na | na |
| Command       | C6h               |    |     |     |    |    |    |    |

Device/Head register -

DEV shall indicate the selected device.

### 8.39.5 Normal outputs

| Register      | 7   | 6    | 5   | 4   | 3   | 2  | 1  | 0   |
|---------------|-----|------|-----|-----|-----|----|----|-----|
| Error         | na  |      |     |     |     |    |    |     |
| Sector Count  | na  |      |     |     |     |    |    |     |
| Sector Number | na  |      |     |     |     |    |    |     |
| Cylinder Low  | na  |      |     |     |     |    |    |     |
| Cylinder High | na  |      |     |     |     |    |    |     |
| Device/Head   | obs | na   | obs | DEV | na  | na | na | na  |
| Status        | BSY | DRDY | DF  | na  | DRQ | na | na | ERR |

Device/Head register -

DEV shall indicate the selected device.

Status register -

BSY shall be cleared to zero indicating command completion.

DRDY shall be set to one.

DF (Device Fault) shall be cleared to zero.

DRQ shall be cleared to zero.

ERR shall be cleared to zero.

### 8.39.6 Error outputs

If a block count is not supported, the device shall return command aborted.

| Register      | 7   | 6    | 5   | 4   | 3   | 2    | 1  | 0   |
|---------------|-----|------|-----|-----|-----|------|----|-----|
| Error         | na  | na   | na  | na  | na  | ABRT | na | na  |
| Sector Count  | na  |      |     |     |     |      |    |     |
| Sector Number | na  |      |     |     |     |      |    |     |
| Cylinder Low  | na  |      |     |     |     |      |    |     |
| Cylinder High | na  |      |     |     |     |      |    |     |
| Device/Head   | obs | na   | obs | DEV | na  |      |    |     |
| Status        | BSY | DRDY | DF  | na  | DRQ | na   | na | ERR |

Error register -

ABRT shall be set to one if the block count is not supported. ABRT may be set to one if the device is not able to complete the action requested by the command.

Device/Head register -

DEV shall indicate the selected device.

Status register -

BSY shall be cleared to zero indicating command completion.

DRDY shall be set to one.

DF (Device Fault) shall be set to one if a device fault has occurred.

DRQ shall be cleared to zero.

ERR shall be set to one if an Error register bit is set to one.

### 8.39.7 Prerequisites

DRDY set to one.

### 8.39.8 Description

This command establishes the block count for READ MULTIPLE and WRITE MULTIPLE commands.

Devices shall support the block size specified in the IDENTIFY DEVICE parameter word 47, bits 7 through 0, and may also support smaller values.

Upon receipt of the command, the device checks the Sector Count register. If the content of the Sector Count register is not zero, the Sector Count register contains a valid value, and the block count is supported, then the value in the Sector Count register is used for all subsequent READ MULTIPLE and WRITE MULTIPLE commands and their execution is enabled. If the content of the Sector Count register is zero, the device may:

- 1) disable multiple mode and respond with command aborted to all subsequent READ MULTIPLE and WRITE MULTIPLE commands;
- 2) respond with command aborted to the SET MULTIPLE MODE command;
- 3) retain the previous multiple mode settings.

After a successful SET MULTIPLE command the device shall report the valid value set by that command in bits 0-7 in word 59 in the IDENTIFY DEVICE information.

## 8.40 SLEEP

### 8.40.1 Command code

E6h

### 8.40.2 Feature set

Power Management feature set.

- Power Management feature set is mandatory when power management is not implemented by a PACKET power management feature set.
- This command is mandatory when the Power Management feature set is implemented.

### 8.40.3 Protocol

Non-data command (see 9.4).

### 8.40.4 Inputs

| Register      | 7   | 6  | 5   | 4   | 3  | 2  | 1  | 0  |
|---------------|-----|----|-----|-----|----|----|----|----|
| Features      | na  |    |     |     |    |    |    |    |
| Sector Count  | na  |    |     |     |    |    |    |    |
| Sector Number | na  |    |     |     |    |    |    |    |
| Cylinder Low  | na  |    |     |     |    |    |    |    |
| Cylinder High | na  |    |     |     |    |    |    |    |
| Device/Head   | obs | na | obs | DEV | na | na | na | na |
| Command       | E6h |    |     |     |    |    |    |    |

Device/Head register -

DEV shall indicate the selected device.

### 8.40.5 Normal outputs

| Register      | 7   | 6    | 5   | 4   | 3   | 2  | 1  | 0   |
|---------------|-----|------|-----|-----|-----|----|----|-----|
| Error         | na  |      |     |     |     |    |    |     |
| Sector Count  | na  |      |     |     |     |    |    |     |
| Sector Number | na  |      |     |     |     |    |    |     |
| Cylinder Low  | na  |      |     |     |     |    |    |     |
| Cylinder High | na  |      |     |     |     |    |    |     |
| Device/Head   | obs | na   | obs | DEV | na  | na | na | na  |
| Status        | BSY | DRDY | DF  | na  | DRQ | na | na | ERR |

Device/Head register -

DEV shall indicate the selected device.

Status register -

BSY shall be cleared to zero indicating command completion.

DRDY shall be set to one.

DF (Device Fault) shall be cleared to zero.

DRQ shall be cleared to zero.

ERR shall be cleared to zero.

### 8.40.6 Error outputs

The device shall return command aborted if the device does not support the Power Management feature set.

| Register      | 7   | 6    | 5   | 4   | 3   | 2    | 1  | 0   |
|---------------|-----|------|-----|-----|-----|------|----|-----|
| Error         | na  | na   | na  | na  | na  | ABRT | na | na  |
| Sector Count  | na  |      |     |     |     |      |    |     |
| Sector Number | na  |      |     |     |     |      |    |     |
| Cylinder Low  | na  |      |     |     |     |      |    |     |
| Cylinder High | na  |      |     |     |     |      |    |     |
| Device/Head   | obs | na   | obs | DEV | na  |      |    |     |
| Status        | BSY | DRDY | DF  | na  | DRQ | na   | na | ERR |

Error register -

ABRT shall be set to one if the device does not support the Power Management feature set. ABRT may be set to one if the device is not able to complete the action requested by the command.

Device/Head register -

DEV shall indicate the selected device.

Status register -

BSY shall be cleared to zero indicating command completion.

DRDY shall be set to one.

DF (Device Fault) shall be set to one if a device fault has occurred.

DRQ shall be cleared to zero.

ERR shall be set to one if an Error register bit is set to one.

#### 8.40.7 Prerequisites

DRDY set to one.

#### 8.40.8 Description

This command is the only way to cause the device to enter Sleep mode.

This command causes the device to set the BSY bit to one, prepare to enter Sleep mode, clear the BSY bit to zero and assert INTRQ. The host shall read the Status register in order to clear the interrupt pending and allow the device to enter Sleep mode. In Sleep mode, the device only responds to the assertion of the RESET- signal and the writing of the SRST bit in the Device Control register and releases the device driven signal lines. The host shall not attempt to access the Command Block registers while the device is in Sleep mode.

Because some host systems may not read the Status register and clear the interrupt pending, a device may automatically release INTRQ and enter Sleep mode after a vendor specific time period of not less than 2 s.

The only way to recover from Sleep mode is with a software reset, a hardware reset, or a DEVICE RESET command.

A device shall not power-on in Sleep mode nor remain in Sleep mode following a reset sequence.

### 8.41 SMART

Individual SMART commands are identified by the value placed in the Feature register. Table 33 shows these Feature register values.

**Table 33 - SMART Feature register values**

| Value   | Command                                 |
|---------|---|
| 00h-CFh | Reserved                                |
| D0h     | SMART READ DATA                         |
| D1h     | Obsolete                                |
| D2h     | SMART ENABLE/DISABLE ATTRIBUTE AUTOSAVE |
| D3h     | SMART SAVE ATTRIBUTE VALUES             |
| D4h     | SMART EXECUTE OFF-LINE IMMEDIATE        |
| D5h     | SMART READ LOG                          |
| D6h     | SMART WRITE LOG                         |
| D7h     | Obsolete                                |
| D8h     | SMART ENABLE OPERATIONS                 |
| D9h     | SMART DISABLE OPERATIONS                |
| DAh     | SMART RETURN STATUS                     |
| DBh     | Obsolete                                |
| DCh-DFh | Reserved                                |
| E0h-FFh | vendor specific                         |

**8.41.1 SMART DISABLE OPERATIONS**

**8.41.1.1 Command code**

B0h with a Feature register value of D9h.

**8.41.1.2 Feature set**

SMART feature set.

- Mandatory when the SMART feature set is implemented.
- Use prohibited when the PACKET Command feature set is implemented.

**8.41.1.3 Protocol**

Non-data command (see 9.4).

**8.41.1.4 Inputs**

The Features register shall be set to D9h. The Cylinder Low register shall be set to 4Fh. The Cylinder High register shall be set to C2h.

| Register      | 7   | 6  | 5   | 4   | 3  | 2  | 1  | 0  |
|---------------|-----|----|-----|-----|----|----|----|----|
| Features      | D9h |    |     |     |    |    |    |    |
| Sector Count  | na  |    |     |     |    |    |    |    |
| Sector Number | na  |    |     |     |    |    |    |    |
| Cylinder Low  | 4Fh |    |     |     |    |    |    |    |
| Cylinder High | C2h |    |     |     |    |    |    |    |
| Device/Head   | obs | na | obs | DEV | na | na | na | na |
| Command       | B0h |    |     |     |    |    |    |    |

Device/Head register -  
DEV shall indicate the selected device.

**8.41.1.5 Normal outputs**

| Register      | 7   | 6    | 5   | 4   | 3   | 2  | 1  | 0   |
|---------------|-----|------|-----|-----|-----|----|----|-----|
| Error         | na  |      |     |     |     |    |    |     |
| Sector Count  | na  |      |     |     |     |    |    |     |
| Sector Number | na  |      |     |     |     |    |    |     |
| Cylinder Low  | na  |      |     |     |     |    |    |     |
| Cylinder High | na  |      |     |     |     |    |    |     |
| Device/Head   | obs | na   | obs | DEV | na  | na | na | na  |
| Status        | BSY | DRDY | DF  | na  | DRQ | na | na | ERR |

Device/Head register -

DEV shall indicate the selected device.

Status register -

BSY shall be cleared to zero indicating command completion.

DRDY shall be set to one.

DF (Device Fault) shall be cleared to zero.

DRQ shall be cleared to zero.

ERR shall be cleared to zero.

**8.41.1.6 Error outputs**

If the device does not support this command, if SMART is not enabled, or if the values in the Features, Cylinder Low, or Cylinder High registers are invalid, the device shall return command aborted.

| Register      | 7   | 6    | 5   | 4   | 3   | 2    | 1  | 0   |
|---------------|-----|------|-----|-----|-----|------|----|-----|
| Error         | na  | na   | na  | na  | na  | ABRT | na | na  |
| Sector Count  | na  |      |     |     |     |      |    |     |
| Sector Number | na  |      |     |     |     |      |    |     |
| Cylinder Low  | na  |      |     |     |     |      |    |     |
| Cylinder High | na  |      |     |     |     |      |    |     |
| Device/Head   | obs | na   | obs | DEV | na  |      |    |     |
| Status        | BSY | DRDY | DF  | na  | DRQ | na   | na | ERR |

Error register -

ABRT shall be set to one if this command is not supported, if SMART is not enabled, or if input register values are invalid. ABRT may be set to one if the device is not able to complete the action requested by the command.

Device/Head register -

DEV shall indicate the selected device.

Status register -

BSY shall be cleared to zero indicating command completion.

DRDY shall be set to one.

DF (Device Fault) shall be set to one if a device fault has occurred.

DRQ shall be cleared to zero.

ERR shall be set to one if an Error register bit is set to one.

**8.41.1.7 Prerequisites**

DRDY set to one. SMART enabled.

### 8.41.1.8 Description

This command disables all SMART capabilities within the device including any and all timer and event count functions related exclusively to this feature. After receipt of this command the device shall disable all SMART operations. SMART data shall no longer be monitored or saved by the device. The state of SMART (either enabled or disabled) shall be preserved by the device across power cycles.

After receipt of this command by the device, all other SMART commands (including SMART DISABLE OPERATIONS commands), with the exception of SMART ENABLE OPERATIONS, are disabled and invalid and shall be command aborted by the device.

### 8.41.2 SMART ENABLE/DISABLE ATTRIBUTE AUTOSAVE

#### 8.41.2.1 Command code

B0h with a Feature register value of D2h.

#### 8.41.2.2 Feature set

SMART feature set.

- Mandatory when the SMART feature set is implemented.
- Use prohibited when the PACKET Command feature set is implemented.

#### 8.41.2.3 Protocol

Non-data command (see 9.4).

#### 8.41.2.4 Inputs

The Features register shall be set to D2h. The Cylinder Low register shall be set to 4Fh. The Cylinder High register shall be set to C2h. The Sector Count register is set to 00h to disable attribute autosave and a value of F1h is set to enable attribute autosave.

| Register      | 7          | 6  | 5   | 4   | 3  | 2  | 1  | 0  |
|---------------|------------|----|-----|-----|----|----|----|----|
| Features      | D2h        |    |     |     |    |    |    |    |
| Sector Count  | 00h or F1h |    |     |     |    |    |    |    |
| Sector Number | na         |    |     |     |    |    |    |    |
| Cylinder Low  | 4Fh        |    |     |     |    |    |    |    |
| Cylinder High | C2h        |    |     |     |    |    |    |    |
| Device/Head   | obs        | na | obs | DEV | na | na | na | na |
| Command       | B0h        |    |     |     |    |    |    |    |

Device/Head register -

DEV shall indicate the selected device.



### 8.41.2.5 Normal outputs

| Register      | 7   | 6    | 5   | 4   | 3   | 2  | 1  | 0   |
|---------------|-----|------|-----|-----|-----|----|----|-----|
| Error         | na  |      |     |     |     |    |    |     |
| Sector Count  | na  |      |     |     |     |    |    |     |
| Sector Number | na  |      |     |     |     |    |    |     |
| Cylinder Low  | na  |      |     |     |     |    |    |     |
| Cylinder High | na  |      |     |     |     |    |    |     |
| Device/Head   | obs | na   | obs | DEV | na  | na | na | na  |
| Status        | BSY | DRDY | DF  | na  | DRQ | na | na | ERR |

Device/Head register -

DEV shall indicate the selected device.

Status register -

BSY shall be cleared to zero indicating command completion.

DRDY shall be set to one.

DF (Device Fault) shall be cleared to zero.

DRQ shall be cleared to zero.

ERR shall be cleared to zero.

### 8.41.2.6 Error outputs

If the device does not support this command, if SMART is disabled, or if the values in the Features, Cylinder Low, or Cylinder High registers are invalid, the device shall return command aborted.

| Register      | 7   | 6    | 5   | 4   | 3   | 2    | 1  | 0   |
|---------------|-----|------|-----|-----|-----|------|----|-----|
| Error         | na  | na   | na  | na  | na  | ABRT | na | na  |
| Sector Count  | na  |      |     |     |     |      |    |     |
| Sector Number | na  |      |     |     |     |      |    |     |
| Cylinder Low  | na  |      |     |     |     |      |    |     |
| Cylinder High | na  |      |     |     |     |      |    |     |
| Device/Head   | obs | na   | obs | DEV | na  |      |    |     |
| Status        | BSY | DRDY | DF  | na  | DRQ | na   | na | ERR |

Error register -

ABRT shall be set to one if this command is not supported, if SMART is disabled, or if the input register values are invalid. ABRT may be set to one if the device is not able to complete the action requested by the command.

Device/Head register -

DEV shall indicate the selected device.

Status register -

BSY shall be cleared to zero indicating command completion.

DRDY shall be set to one.

DF (Device Fault) shall be set to one if a device fault has occurred.

DRQ shall be cleared to zero.

ERR shall be set to one if an Error register bit is set to one.

### 8.41.2.7 Prerequisites

DRDY set to one. SMART enabled.

### **8.41.2.8 Description**

This command enables and disables the optional attribute autosave feature of the device. Depending upon the implementation, this command may either allow the device, after some vendor specified event, to automatically save the device updated attribute values to non-volatile memory; or this command may cause the autosave feature to be disabled. The state of the attribute autosave feature (either enabled or disabled) shall be preserved by the device across power cycles.

A value of zero written by the host into the device's Sector Count register before issuing this command shall cause this feature to be disabled. Disabling this feature does not preclude the device from saving SMART data to non-volatile memory during some other normal operation such as during a power-on or power-off sequence or during an error recovery sequence.

A value of F1h written by the host into the device's Sector Count register before issuing this command shall cause this feature to be enabled. Any other meaning of this value or any other non-zero value written by the host into this register before issuing this command may differ from device to device. The meaning of any non-zero value written to this register at this time shall be preserved by the device across power cycles.

If this command is not supported by the device, the device shall return command aborted upon receipt from the host.

During execution of the autosave routine the device shall not set BSY to one nor clear DRDY to zero. If the device receives a command from the host while executing the autosave routine the device shall respond to the host within two seconds.

### **8.41.3 SMART ENABLE OPERATIONS**

#### **8.41.3.1 Command code**

B0h with a Feature register value of D8h.

#### **8.41.3.2 Feature set**

SMART feature set.

- Mandatory when the SMART feature set is implemented.
- Use prohibited when the PACKET Command feature set is implemented.

#### **8.41.3.3 Protocol**

Non-data command (see 9.4).

#### **8.41.3.4 Inputs**

The Features register shall be set to D8h. The Cylinder Low register shall be set to 4Fh. The Cylinder High register shall be set to C2h.

| Register      | 7   | 6  | 5   | 4   | 3  | 2  | 1  | 0  |
|---------------|-----|----|-----|-----|----|----|----|----|
| Features      | D8h |    |     |     |    |    |    |    |
| Sector Count  | na  |    |     |     |    |    |    |    |
| Sector Number | na  |    |     |     |    |    |    |    |
| Cylinder Low  | 4Fh |    |     |     |    |    |    |    |
| Cylinder High | C2h |    |     |     |    |    |    |    |
| Device/Head   | obs | na | obs | DEV | na | na | na | na |
| Command       | B0h |    |     |     |    |    |    |    |

Device/Head register -

DEV shall indicate the selected device.

#### 8.41.3.5 Normal outputs

| Register      | 7   | 6    | 5   | 4   | 3   | 2  | 1  | 0   |
|---------------|-----|------|-----|-----|-----|----|----|-----|
| Error         | na  |      |     |     |     |    |    |     |
| Sector Count  | na  |      |     |     |     |    |    |     |
| Sector Number | na  |      |     |     |     |    |    |     |
| Cylinder Low  | na  |      |     |     |     |    |    |     |
| Cylinder High | na  |      |     |     |     |    |    |     |
| Device/Head   | obs | na   | obs | DEV | na  | na | na | na  |
| Status        | BSY | DRDY | DF  | na  | DRQ | na | na | ERR |

Device/Head register -

DEV shall indicate the selected device.

Status register -

BSY shall be cleared to zero indicating command completion.

DRDY shall be set to one.

DF (Device Fault) shall be cleared to zero.

DRQ shall be cleared to zero.

ERR shall be cleared to zero.

#### 8.41.3.6 Error outputs

If the device does not support this command or if the values in the Features, Cylinder Low, or Cylinder High registers are invalid, the device shall return command aborted.

| Register      | 7   | 6    | 5   | 4   | 3   | 2    | 1  | 0   |
|---------------|-----|------|-----|-----|-----|------|----|-----|
| Error         | na  | na   | na  | na  | na  | ABRT | na | na  |
| Sector Count  | na  |      |     |     |     |      |    |     |
| Sector Number | na  |      |     |     |     |      |    |     |
| Cylinder Low  | na  |      |     |     |     |      |    |     |
| Cylinder High | na  |      |     |     |     |      |    |     |
| Device/Head   | obs | na   | obs | DEV | na  |      |    |     |
| Status        | BSY | DRDY | DF  | na  | DRQ | na   | na | ERR |

Error register -

ABRT shall be set to one if this command is not supported or if the input register values are invalid.

ABRT may be set to one if the device is not able to complete the action requested by the command.

Device/Head register -

DEV shall indicate the selected device.

Status register -

BSY shall be cleared to zero indicating command completion.

DRDY shall be set to one.  
 DF (Device Fault) shall be set to one if a device fault has occurred.  
 DRQ shall be cleared to zero.  
 ERR shall be set to one if an Error register bit is set to one.

**8.41.3.7 Prerequisites**

DRDY set to one.

**8.41.3.8 Description**

This command enables access to all SMART capabilities within the device. Prior to receipt of this command SMART data are neither monitored nor saved by the device. The state of SMART (either enabled or disabled) shall be preserved by the device across power cycles. Once enabled, the receipt of subsequent SMART ENABLE OPERATIONS commands shall not affect any SMART data or functions.

**8.41.4 SMART EXECUTE OFF-LINE IMMEDIATE**

**8.41.4.1 Command code**

B0h with the content of the Features register equal to D4h

**8.41.4.2 Feature set**

SMART feature set.

- Optional when the SMART feature set is implemented.
- Use prohibited when the PACKET Command feature set is implemented.

**8.41.4.3 Protocol**

Non-data command (see 9.4).

**8.41.4.4 Inputs**

The Features register shall be set to D4h. The Cylinder Low register shall be set to 4Fh. The Cylinder High register shall be set to C2h. Table 34 defines the subcommand that shall be executed based on the value in the Sector Number register.

| Register      | 7                   | 6  | 5   | 4   | 3  | 2 | 1 | 0 |
|---------------|---------------------|----|-----|-----|----|---|---|---|
| Features      | D4h                 |    |     |     |    |   |   |   |
| Sector Count  | na                  |    |     |     |    |   |   |   |
| Sector Number | Subcommand specific |    |     |     |    |   |   |   |
| Cylinder Low  | 4Fh                 |    |     |     |    |   |   |   |
| Cylinder High | C2h                 |    |     |     |    |   |   |   |
| Device/Head   | obs                 | na | obs | DEV | na |   |   |   |
| Command       | B0h                 |    |     |     |    |   |   |   |

Device/Head register -  
 DEV shall indicate the selected device.

#### 8.41.4.5 Normal Outputs

| Register      | 7         | 6    | 5   | 4   | 3   | 2  | 1  | 0   |
|---------------|-----------|------|-----|-----|-----|----|----|-----|
| Features      | na        |      |     |     |     |    |    |     |
| Sector Count  | na        |      |     |     |     |    |    |     |
| Sector Number | na        |      |     |     |     |    |    |     |
| Cylinder Low  | na or 4Fh |      |     |     |     |    |    |     |
| Cylinder High | na or C2h |      |     |     |     |    |    |     |
| Device/Head   | obs       | na   | obs | DEV | na  |    |    |     |
| Status        | BSY       | DRDY | DF  | na  | DRQ | na | na | ERR |

##### Cylinder Low -

na when the subcommand specified an off-line routine (including an off-line self-test routine).  
4Fh when the subcommand specified a captive self-test routine (see 8.41.4.8.2) that has executed without failure.

##### Cylinder High -

na when the subcommand specified an off-line routine (including an off-line self-test routine).  
C2h when the subcommand specified a captive self-test routine that has executed without failure.

##### Device/Head register -

DEV shall indicate the selected device.

##### Status register -

BSY shall be cleared to zero indicating command completion.  
DRDY shall be set to one indicating that the device is capable of receiving any command.  
DF (Device Fault) shall be cleared to zero.  
DRQ shall be cleared to zero.  
ERR shall be cleared to zero.

#### 8.41.4.6 Error Outputs

If the device does not support this command, if SMART is disabled, or if the values in the Features, Cylinder Low, or Cylinder High registers are invalid, the device shall return command aborted. When a failure occurs while executing a test in captive mode, the device shall return command aborted with the Cylinder Low register value of F4h and the Cylinder High value of 2Ch.

| Register      | 7                | 6    | 5   | 4    | 3   | 2    | 1  | 0   |
|---------------|------------------|------|-----|------|-----|------|----|-----|
| Error         | na               | na   | na  | IDNF | na  | ABRT | na | obs |
| Sector Count  | na               |      |     |      |     |      |    |     |
| Sector Number | na               |      |     |      |     |      |    |     |
| Cylinder Low  | na or 4Fh or F4h |      |     |      |     |      |    |     |
| Cylinder High | na or C2h or 2Ch |      |     |      |     |      |    |     |
| Device/Head   | obs              | na   | obs | DEV  | na  |      |    |     |
| Status        | BSY              | DRDY | DF  | na   | DRQ | na   | na | ERR |

##### Error register -

IDNF shall be set to one if SMART data sector's ID field could not be found.  
ABRT shall be set to one if this command is not supported, if SMART is not enabled, if register values are invalid, or if a self-test fails while executing a sequence in captive mode. ABRT may be set to one if the device is not able to complete the action requested by the command.

##### Cylinder Low register -

na when the subcommand specified an off-line routine (including an off-line self-test routine).  
4Fh when the subcommand specified a captive self-test routine and some error other than a self-test routine failure occurred (i.e., if the sub-command is not supported or register values are invalid)  
F4h when the subcommand specified a captive self-test routine which has failed during execution.

##### Cylinder High register -

na when the subcommand specified an off-line routine (including an off-line self-test routine).

2Ch when the subcommand specified a captive self-test routine which has failed during execution.

C2h when the subcommand specified a captive self-test routine and some error other than a self-test routine failure occurred (i.e., if the sub-command is not supported or register values are invalid)

Device/Head register -

DEV shall indicate the selected device.

Status register -

BSY shall be cleared to zero indicating command completion.

DRDY shall be set to one indicating that the device is capable of receiving any command.

DF (Device Fault) shall be set to one indicating that a device fault has occurred.

DRQ shall be cleared to zero indicating that there is no data to be transferred.

ERR shall be set to one if any Error register bit is set to one.

#### 8.41.4.7 Prerequisites

DRDY set to one. SMART enabled.

#### 8.41.4.8 Description

This command causes the device to immediately initiate the optional set of activities that collect SMART data in an off-line mode and then save this data to the device's non-volatile memory, or execute a self-diagnostic test routine in either captive or off-line mode.

**Table 34 - SMART EXECUTE OFF-LINE IMMEDIATE Sector Number register values**

| Value   | Description of subcommand to be executed                              |
|---------|---|
| 0       | Execute SMART off-line routine immediately in off-line mode           |
| 1       | Execute SMART Short self-test routine immediately in off-line mode    |
| 2       | Execute SMART Extended self-test routine immediately in off-line mode |
| 3-63    | Reserved  |
| 64-126  | Vendor specific   |
| 127     | Abort off-line mode self-test routine                                 |
| 128     | Reserved  |
| 129     | Execute SMART Short self-test routine immediately in captive mode     |
| 130     | Execute SMART Extended self-test routine immediately in captive mode  |
| 131-191 | Reserved  |
| 192-255 | Vendor specific   |

#### 8.41.4.8.1 Off-line mode

The following describes the protocol for executing a SMART EXECUTE OFF-LINE IMMEDIATE subcommand routine (including a self-test routine) in the off-line mode.

- a) The device shall execute command completion before executing the subcommand routine.
- b) After clearing BSY to zero and setting DRDY to one after receiving the command, the device shall not set BSY nor clear DRDY during execution of the subcommand routine.
- c) If the device is in the process of performing the subcommand routine and is interrupted by any new command from the host except a SLEEP, SMART DISABLE OPERATIONS, SMART EXECUTE OFF-LINE IMMEDIATE, or STANDBY IMMEDIATE command, the device shall suspend or abort the subcommand routine and service the host within two seconds after receipt of the new command. After servicing the interrupting command from the host the device may immediately re-initiate or resume the subcommand routine without any additional commands from the host (see 8.41.5.8.4).
- d) If the device is in the process of performing a subcommand routine and is interrupted by a SLEEP command from the host, the device may abort the subcommand routine and execute the SLEEP command. If the device is in the process of performing any self-test routine and is interrupted by a SLEEP

command from the host, the device shall abort the subcommand routine and execute the SLEEP command.

- e) If the device is in the process of performing the subcommand routine and is interrupted by a SMART DISABLE OPERATIONS command from the host, the device shall suspend or abort the subcommand routine and service the host within two seconds after receipt of the command. Upon receipt of the next SMART ENABLE OPERATIONS command the device may, either re-initiate the subcommand routine or resume the subcommand routine from where it had been previously suspended.
- f) If the device is in the process of performing the subcommand routine and is interrupted by a SMART EXECUTE OFF-LINE IMMEDIATE command from the host, the device shall abort the subcommand routine and service the host within two seconds after receipt of the command. The device shall then service the new SMART EXECUTE OFF-LINE IMMEDIATE subcommand.
- g) If the device is in the process of performing the subcommand routine and is interrupted by a STANDBY IMMEDIATE or IDLE IMMEDIATE command from the host, the device shall suspend or abort the subcommand routine, and service the host within two seconds after receipt of the command. After receiving a new command that causes the device to exit a power saving mode, the device shall initiate or resume the subcommand routine without any additional commands from the host unless these activities were aborted by the host (see 8.41.5.8).
- h) While the device is performing the subcommand routine it shall not automatically change power states (e.g., as a result of its Standby timer expiring).
- i) If a test failure occurs while a device is performing a self-test routine the device may discontinue the testing and place the test results in the Self-test execution status byte.

#### **8.41.4.8.2 Captive mode**

When executing a self-test in captive mode, the device sets BSY to one and executes the self-test routine after receipt of the command. At the end of the routine the device places the results of this routine in the Self-test execution status byte and executes command completion. If an error occurs while a device is performing the routine the device may discontinue its testing, place the results of this routine in the Self-test execution status byte, and complete the command.

#### **8.41.4.8.3 SMART off-line routine**

This routine shall only be performed in the off-line mode. The results of this routine are placed in the Off-line data collection status byte (see Table 36).

#### **8.41.4.8.4 SMART Short self-test routine**

Depending on the value in the Sector Number register, this self-test routine may be performed in either the captive or the off-line or mode. This self-test routine should take on the order of ones of minutes to complete (see 8.41.5.8).

#### **8.41.4.8.5 SMART Extended self-test routine**

Depending on the value in the Sector Number register, this self-test routine may be performed in either the captive or the off-line or mode. This self-test routine should take on the order of tens of minutes to complete (see 8.41.5.8).

### **8.41.5 SMART READ DATA**

#### **8.41.5.1 Command code**

B0h with the content of the Features register equal to D0h.

### 8.41.5.2 Feature set

SMART feature set.

- Optional when the SMART feature set is implemented.
- Use prohibited when the PACKET Command feature set is implemented.

### 8.41.5.3 Protocol

PIO data-in (see 9.5).

### 8.41.5.4 Inputs

The Features register shall be set to D0h. The Cylinder Low register shall be set to 4Fh. The Cylinder High register shall be set to C2h.

| Register      | 7   | 6  | 5   | 4   | 3  | 2 | 1 | 0 |
|---------------|-----|----|-----|-----|----|---|---|---|
| Features      | D0h |    |     |     |    |   |   |   |
| Sector Count  | na  |    |     |     |    |   |   |   |
| Sector Number | na  |    |     |     |    |   |   |   |
| Cylinder Low  | 4Fh |    |     |     |    |   |   |   |
| Cylinder High | C2h |    |     |     |    |   |   |   |
| Device/Head   | obs | na | obs | DEV | na |   |   |   |
| Command       | B0h |    |     |     |    |   |   |   |

Device/Head register -

DEV shall indicate the selected device.

### 8.41.5.5 Normal outputs

| Register      | 7   | 6    | 5   | 4   | 3   | 2  | 1  | 0   |
|---------------|-----|------|-----|-----|-----|----|----|-----|
| Features      | na  |      |     |     |     |    |    |     |
| Sector Count  | na  |      |     |     |     |    |    |     |
| Sector Number | na  |      |     |     |     |    |    |     |
| Cylinder Low  | na  |      |     |     |     |    |    |     |
| Cylinder High | na  |      |     |     |     |    |    |     |
| Device/Head   | obs | na   | obs | DEV | na  |    |    |     |
| Status        | BSY | DRDY | DF  | na  | DRQ | na | na | ERR |

Device/Head register -

DEV shall indicate the selected device.

Status register -

BSY shall be cleared to zero indicating command completion.

DRDY shall be set to one indicating that the device is capable of receiving any command.

DF (Device Fault) shall be cleared to zero.

DRQ shall be cleared to zero.

ERR shall be cleared to zero.

### 8.41.5.6 Error outputs

If the device does not support this command, if SMART is disabled, or if the values in the Features, Cylinder Low, or Cylinder High registers are invalid, the device shall return command aborted.



| Register      | 7   | 6    | 5   | 4    | 3   | 2    | 1  | 0   |
|---------------|-----|------|-----|------|-----|------|----|-----|
| Error         | na  | UNC  | na  | IDNF | na  | ABRT | na | obs |
| Sector Count  | na  |      |     |      |     |      |    |     |
| Sector Number | na  |      |     |      |     |      |    |     |
| Cylinder Low  | na  |      |     |      |     |      |    |     |
| Cylinder High | na  |      |     |      |     |      |    |     |
| Device/Head   | obs | na   | obs | DEV  | na  |      |    |     |
| Status        | BSY | DRDY | DF  | na   | DRQ | na   | na | ERR |

Error register -

UNC shall be set to one if SMART data is uncorrectable.

IDNF shall be set to one if SMART data sector's ID field could not be found or data structure checksum occurred.

ABRT shall be set to one if this command is not supported, if SMART is not enabled, or if register values are invalid. ABRT may be set to one if the device is not able to complete the action requested by the command.

Device/Head register -

DEV shall indicate the selected device.

Status register -

BSY shall be cleared to zero indicating command completion.

DRDY shall be set to one indicating that the device is capable of receiving any command.

DF (Device Fault) shall be set to one indicating that a device fault has occurred.

DRQ shall be cleared to zero indicating that there is no data to be transferred.

ERR shall be set to one if any Error register bit is set to one.

#### 8.41.5.7 Prerequisites

DRDY set to one. SMART enabled.

#### 8.41.5.8 Description

This command returns the Device SMART data structure to the host.

Table 35 defines the 512 bytes that make up the Device SMART data structure. All multi-byte fields shown in this structure follow the byte ordering described in 3.2.9.

**Table 35 - Device SMART data structure**

| Byte   | F/V | Descriptions   |
|--|-----|--|
| 0-361  | X   | Vendor specific  |
| 362  | V   | Off-line data collection status  |
| 363  | X   | Self-test execution status byte  |
| 364-365  | V   | Total time in seconds to complete off-line data collection activity            |
| 366  | X   | Vendor specific  |
| 367  | F   | Off-line data collection capability  |
| 368-369  | F   | SMART capability   |
| 370  | F   | Error logging capability<br>7-1 Reserved<br>0 1=Device error logging supported |
| 371  | X   | Vendor specific  |
| 372  | F   | Short self-test routine recommended polling time (in minutes)                  |
| 373  | F   | Extended self-test routine recommended polling time (in minutes)               |
| 374-385  | R   | Reserved   |
| 386-510  | X   | Vendor specific  |
| 511  | V   | Data structure checksum  |
| Key:<br>F=the content of the byte is fixed and does not change.<br>V=the content of the byte is variable and may change depending on the state of the device or the commands executed by the device.<br>X=the content of the byte is vendor specific and may be fixed or variable.<br>R=the content of the byte is reserved and shall be zero. |     |  |

**8.41.5.8.1 Off-line collection status byte**

The value of the off-line data collection status byte defines the current status of the off-line activities of the device. Table 36 lists the values and their respective definitions.

**Table 36 - Off-line data collection status byte values**

| Value      | Definition  |
|------------|---|
| 00h or 80h | Off-line data collection activity was never started.                                  |
| 01h        | Reserved  |
| 02h or 82h | Off-line data collection activity was completed without error.                        |
| 03h        | Reserved  |
| 04h or 84h | Off-line data collection activity was suspended by an interrupting command from host. |
| 05h or 85h | Off-line data collection activity was aborted by an interrupting command from host.   |
| 06h or 86h | Off-line data collection activity was aborted by the device with a fatal error.       |
| 07h-3Fh    | Reserved  |
| 40h-7Fh    | Vendor specific   |
| 81h        | Reserved  |
| 83h        | Reserved  |
| 87h-BFh    | Reserved  |
| C0h-FFh    | Vendor specific   |

**8.41.5.8.2 Self-test execution status byte**

The self-test execution status byte reports the execution status of the self-test routine.

- Bits 0-3 (Percent Self-Test Remaining) The value in these bits indicates an approximation of the percent of the self-test routine remaining until completion in ten percent increments. Valid values

are 0 through 9. A value of 0 indicates the self-test routine is complete. A value of 9 indicates 90% of total test time remaining.

- Bits 4-7 (Self-test Execution Status) The value in these bits indicates the current Self-test Execution Status (see Table 37).

**Table 37 - Self-test execution status values**

| Value | Description  |
|-------|--|
| 0     | The previous self-test routine completed without error or no self-test has ever been run   |
| 1     | The self-test routine was aborted by the host  |
| 2     | The self-test routine was interrupted by the host with a hardware or software reset  |
| 3     | A fatal error or unknown test error occurred while the device was executing its self-test routine and the device was unable to complete the self-test routine. |
| 4     | The previous self-test completed having a test element that failed and the test element that failed is not known.  |
| 5     | The previous self-test completed having the electrical element of the test failed.   |
| 6     | The previous self-test completed having the servo (and/or seek) test element of the test failed.   |
| 7     | The previous self-test completed having the read element of the test failed.   |
| 8-14  | Reserved.  |
| 15    | Self-test routine in progress.   |

#### 8.41.5.8.3 Total time to complete off-line data collection

The total time in seconds to complete off-line data collection activity word specifies how many seconds the device requires to complete the sequence of off-line data collection activity. Valid values for this word are from 0001h to FFFFh.

#### 8.41.5.8.4 Off-line data collection capabilities

The following describes the definition for the off-line data collection capability bits. If the value of all of these bits is cleared to zero, then no off-line data collection is implemented by this device.

- Bit 0 (EXECUTE OFF-LINE IMMEDIATE implemented bit) - If this bit is set to one, then the SMART EXECUTE OFF-LINE IMMEDIATE command is implemented by this device. If this bit is cleared to zero, then the SMART EXECUTE OFF-LINE IMMEDIATE command is not implemented by this device.
- Bit 1 (vendor specific).
- Bit 2 (abort/restart off-line by host bit) - If this bit is set to one, then the device shall abort all off-line data collection activity initiated by an SMART EXECUTE OFF-LINE IMMEDIATE command upon receipt of a new command within 2 seconds of receiving the new command. If this bit is cleared to zero, the device shall suspend off-line data collection activity after an interrupting command and resume off-line data collection activity after some vendor-specified event.
- Bit 3 (off-line read scanning implemented bit) - If this bit is cleared to zero, the device does not support off-line read scanning. If this bit is set to one, the device supports off-line read scanning.
- Bit 4 (self-test implemented bit) – If this bit is cleared to zero, the device does not implement the Short and Extended self-test routines. If this bit is set to one, the device implements the Short and Extended self-test routines.
- Bits 5-7 (Reserved).

#### **8.41.5.8.5 SMART capabilities**

The following describes the definition for the SMART capabilities bits. If all of these bits are cleared to zero, then automatic saving of SMART data is not implemented by this device.

- Bit 0 (power mode SMART data saving capability bit) - If this bit is set to one, the device saves SMART data prior to going into a power saving mode (Idle, Standby, or Sleep) or immediately upon return to Active or Idle mode from a Standby mode. If this bit is cleared to zero, the device does not save SMART data prior to going into a power saving mode (Idle, Standby, or Sleep) or immediately upon return to Active or Idle mode from a Standby mode.
- Bit 1 (SMART data autosave after event capability bit) - This bit is set to one for devices complying with this standard.
- Bits 2-15 (Reserved).

#### **8.41.5.8.6 Self-test routine recommended polling time**

The self-test routine recommended polling time shall be equal to the number of minutes that is the minimum recommended time before which the host should first poll for test completion status. Actual test time could be several times this value. Polling before this time could extend the self-test execution time or abort the test depending on the state of bit 2 of the off-line data capability bits.

#### **8.41.5.8.7 Data structure checksum**

The data structure checksum is the two's complement of the sum of the first 511 bytes in the data structure. Each byte shall be added with unsigned arithmetic, and overflow shall be ignored. The sum of all 512 bytes will be zero when the checksum is correct. The checksum is placed in byte 511.

### **8.41.6 SMART READ LOG**

#### **8.41.6.1 Command code**

B0h with the content of the Features register equal to D5h.

#### **8.41.6.2 Feature set**

SMART feature set.

- Optional when the SMART feature set is implemented.
- Use prohibited when the PACKET Command feature set is implemented.

#### **8.41.6.3 Protocol**

PIO data-in (see 9.5).

#### **8.41.6.4 Inputs**

The Features register shall be set to D5h. The Sector Count register shall indicate the number of sectors to be read from the log number indicated by the Sector Number register. The Cylinder Low register shall be set to 4Fh. The Cylinder High register shall be set to C2h.

| Register      | 7                            | 6  | 5   | 4   | 3  | 2 | 1 | 0 |
|---------------|------------------------------|----|-----|-----|----|---|---|---|
| Features      | D5h                          |    |     |     |    |   |   |   |
| Sector Count  | Number of sectors to be read |    |     |     |    |   |   |   |
| Sector Number | Log address                  |    |     |     |    |   |   |   |
| Cylinder Low  | 4Fh                          |    |     |     |    |   |   |   |
| Cylinder High | C2h                          |    |     |     |    |   |   |   |
| Device/Head   | obs                          | na | obs | DEV | na |   |   |   |
| Command       | B0h                          |    |     |     |    |   |   |   |

Sector count – Indicates the number of sectors to be read from the indicated log. The log transferred by the drive shall start at the first sector in the indicated log, regardless of the sector count requested.

Sector number - Indicates the log to be returned as described in Table 38. If this command is implemented, all address values for which the contents are defined shall be implemented and all address values defined as host vendor specific shall be implemented. The host vendor specific logs may be used by the host to store any data desired. If a host vendor specific log has never been written by the host, when read the content of the log shall be zeros. Device vendor specific logs may be used by the device vendor to store any data and need only be implemented if used.

**Table 38 - Log address definition**

| Log address | Content                | R/W      |
|-------------|------------------------|----------|
| 00h         | Log directory          | RO       |
| 01h         | SMART error log        | RO       |
| 02h-05h     | Reserved               | Reserved |
| 06h         | SMART self-test log    | RO       |
| 07h-7Fh     | Reserved               | Reserved |
| 80h-9Fh     | Host vendor specific   | R/W      |
| A0h-BFh     | Device vendor specific | VS       |
| C0h-FFh     | Reserved               | Reserved |

Key –  
RO - Log is read only by the host.  
R/W - Log is read or written by the host.  
VS - Log is vendor specific thus read/write ability is vendor specific.

Device/Head register -

DEV shall indicate the selected device.

#### 8.41.6.5 Normal outputs

| Register      | 7   | 6    | 5   | 4   | 3   | 2  | 1  | 0   |
|---------------|-----|------|-----|-----|-----|----|----|-----|
| Features      | na  |      |     |     |     |    |    |     |
| Sector Count  | na  |      |     |     |     |    |    |     |
| Sector Number | na  |      |     |     |     |    |    |     |
| Cylinder Low  | na  |      |     |     |     |    |    |     |
| Cylinder High | na  |      |     |     |     |    |    |     |
| Device/Head   | obs | na   | obs | DEV | na  |    |    |     |
| Status        | BSY | DRDY | DF  | na  | DRQ | na | na | ERR |

Device/Head register -

DEV shall indicate the selected device.

Status register -

BSY shall be cleared to zero indicating command completion.

DRDY shall be set to one indicating that the device is capable of receiving any command.

DF (Device Fault) shall be cleared to zero.

DRQ shall be cleared to zero.  
ERR shall be cleared to zero.

#### 8.41.6.6 Error outputs

If the device does not support this command, if SMART is disabled, or if the values in the Features, Sector Number, Sector Count, Cylinder Low, or Cylinder High registers are invalid, the device shall return command aborted.

| Register      | 7   | 6    | 5   | 4    | 3   | 2    | 1  | 0   |
|---------------|-----|------|-----|------|-----|------|----|-----|
| Error         | na  | UNC  | na  | IDNF | na  | ABRT | na | obs |
| Sector Count  | na  |      |     |      |     |      |    |     |
| Sector Number | na  |      |     |      |     |      |    |     |
| Cylinder Low  | na  |      |     |      |     |      |    |     |
| Cylinder High | na  |      |     |      |     |      |    |     |
| Device/Head   | obs | na   | obs | DEV  | Na  |      |    |     |
| Status        | BSY | DRDY | DF  | na   | DRQ | na   | na | ERR |

Error register -

UNC shall be set to one if SMART log sector is uncorrectable.

IDNF shall be set to one if SMART log sector's ID field was not found or data structure checksum error occurred.

ABRT shall be set to one if this command is not supported, if SMART is not enabled, if the log sector address is not implemented, or if other register values are invalid. ABRT may be set to one if the device is not able to complete the action requested by the command.

Device/Head register -

DEV shall indicate the selected device.

Status register -

BSY shall be cleared to zero indicating command completion.

DRDY shall be set to one indicating that the device is capable of receiving any command.

DF (Device Fault) shall be set to one indicating that a device fault has occurred.

DRQ shall be cleared to zero indicating that there is no data to be transferred.

ERR shall be set to one if any Error register bit is set to one.

#### 8.41.6.7 Prerequisites

DRDY set to one. SMART enabled.

#### 8.41.6.8 Description

This command returns the indicated log to the host.

##### 8.41.6.8.1 SMART Log Directory

Table 39 defines the 512 bytes that make up the SMART Log Directory, which is optional. If implemented, the SMART Log Directory is SMART Log address zero, and is defined as one sector long.

**Table 39 - SMART Log Directory**

| Byte | Descriptions                                    |
|------|---|
| 0-1  | SMART Logging Version                           |
| 2    | Number of sectors in the log at log address 1   |
| 3    | Reserved  |
| 4    | Number of sectors in the log at log address 2   |
| 5    | Reserved  |
| ...  | ...   |
| 510  | Number of sectors in the log at log address 255 |
| 511  | Reserved  |

The value of the SMART Logging Version word shall be 01h if the drive supports multi-sector SMART logs. In addition, if the drive supports multi-sector logs, then the logs at log addresses 80-9Fh shall each be defined as 16 sectors long.

If the drive does not support multi-sector SMART logs, then log number zero is defined as reserved, and the drive shall return a command aborted response to the host's request to read log number zero.

If the host issues a SMART READ LOG or SMART WRITE LOG command with a Sector Count value of zero, the device shall return command aborted.

#### **8.41.6.8.2 Error log sector**

Table 40 defines the 512 bytes that make up the SMART error log sector. All multi-byte fields shown in this structure follow the byte ordering described in 3.2.9. Error log data structures shall include UNC errors, IDNF errors for which the address requested was valid, servo errors, write fault errors, etc. Error log data structures shall not include errors attributed to the receipt of faulty commands such as command codes not implemented by the device or requests with invalid parameters or invalid addresses.

**Table 40 - SMART error log sector**

| Byte    | Descriptions                    |
|---------|---------------------------------|
| 0       | SMART error log version         |
| 1       | Error log index                 |
| 2-91    | First error log data structure  |
| 92-181  | Second error log data structure |
| 182-271 | Third error log data structure  |
| 272-361 | Fourth error log data structure |
| 362-451 | Fifth error log data structure  |
| 452-453 | Device error count              |
| 454-510 | Reserved                        |
| 511     | Data structure checksum         |

##### **8.41.6.8.2.1 Error log version**

The value of the SMART error log version byte shall be 01h.

##### **8.41.6.8.2.2 Error log index**

The error log index indicates the error log data structure representing the most recent error. Only values 1 through 5 are valid.

### 8.41.6.8.2.3 Error log data structure

An error log data structure shall be presented for each of the last five errors reported by the device. These error log data structure entries are viewed as a circular buffer. That is, the first error shall create the first error log data structure; the second error, the second error log structure; etc. The sixth error shall create an error log data structure that replaces the first error log data structure; the seventh error replaces the second error log structure, etc. The error log pointer indicates the most recent error log structure. If fewer than five errors have occurred, the unused error log structure entries shall be zero filled. Table 41 describes the content of a valid error log data structure.

**Table 41 - Error log data structure**

| Byte           | Descriptions                  |
|----------------|-------------------------------|
| n thru n+11    | First command data structure  |
| n+12 thru n+23 | Second command data structure |
| n+24 thru n+35 | Third command data structure  |
| n+36 thru n+47 | Fourth command data structure |
| n+48 thru n+59 | Fifth command data structure  |
| n+60 thru n+89 | Error data structure          |

#### 8.41.6.8.2.3.1 Command data structure

The fifth command data structure shall contain the command or reset for which the error is being reported. The fourth command data structure should contain the command or reset that preceded the command or reset for which the error is being reported, the third command data structure should contain the command or reset preceding the one in the fourth command data structure, etc. If fewer than four commands and resets preceded the command or reset for which the error is being reported, the unused command data structures shall be zero filled, for example, if only three commands and resets preceded the command or reset for which the error is being reported, the first command data structure shall be zero filled. In some devices, the hardware implementation may preclude the device from reporting the commands that preceded the command for which the error is being reported or that preceded a reset. In this case, the command data structures are zero filled.

If the command data structure represents a command or software reset, the content of the command data structure shall be as shown in Table 42. If the command data structure represents a hardware reset, the content of byte n shall be FFh, the content of bytes n+1 through n+7 are vendor specific, and the content of bytes n+8 through n+11 shall contain the timestamp.

**Table 42 - Command data structure**

| Byte | Descriptions  |
|------|---|
| n    | Content of the Device Control register when the Command register was written. |
| n+1  | Content of the Features register when the Command register was written.       |
| n+2  | Content of the Sector Count register when the Command register was written.   |
| n+3  | Content of the Sector Number register when the Command register was written.  |
| n+4  | Content of the Cylinder Low register when the Command register was written.   |
| n+5  | Content of the Cylinder High register when the Command register was written.  |
| n+6  | Content of the Device/Head register when the Command register was written.    |
| n+7  | Content written to the Command register.                                      |
| n+8  | Timestamp (least significant byte)  |
| n+9  | Timestamp (next least significant byte)                                       |
| n+10 | Timestamp (next most significant byte)  |
| n+11 | Timestamp (most significant byte)   |

Timestamp shall be the time since power-on in milliseconds when command acceptance occurred. This timestamp may wrap around.



### 8.41.6.8.2.3.2 Error data structure

The error data structure shall contain the error description of the command for which an error was reported as described in Table 43. If the error was logged for a hardware reset, the content of bytes n+1 through n+7 shall be vendor specific and the remaining bytes shall be as defined in Table 43.

**Table 43 - Error data structure**

| Byte          | Descriptions  |
|---------------|---|
| n             | Reserved  |
| n+1           | Content of the Error register after command completion occurred.          |
| n+2           | Content of the Sector Count register after command completion occurred.   |
| n+3           | Content of the Sector Number register after command completion occurred.  |
| n+4           | Content of the Cylinder Low register after command completion occurred.   |
| n+5           | Content of the Cylinder High register after command completion occurred.  |
| n+6           | Content of the Device/Head register after command completion occurred.    |
| n+7           | Content written to the Status register after command completion occurred. |
| n+8 thru n+26 | Extended error information  |
| n+27          | State   |
| n+28          | Life timestamp (least significant byte)                                   |
| n+29          | Life timestamp (most significant byte)                                    |

Extended error information shall be vendor specific.

State shall contain a value indicating the state of the device when command was written to the Command register or the reset occurred as described in Table 44.

**Table 44 - State field values**

| Value  | State                                 |
|--|---------------------------------------|
| x0h  | Unknown                               |
| x1h  | Sleep                                 |
| x2h  | Standby                               |
| x3h  | Active/Idle with BSY cleared to zero  |
| x4h  | Executing SMART off-line or self-test |
| x5h-xAh  | Reserved                              |
| xBh-xFh  | Vendor unique                         |
| The value of x is vendor specific and may be different for each state. |                                       |

Sleep indicates the reset for which the error is being reported was received when the device was in the Sleep mode.

Standby indicates the command or reset for which the error is being reported was received when the device was in the Standby mode.

Active/Idle with BSY cleared to zero indicates the command or reset for which the error is being reported was received when the device was in the Active or Idle mode and BSY was cleared to zero.

Executing SMART off-line or self-test indicates the command or reset for which the error is being reported was received when the device was in the process of executing a SMART off-line or self-test.

Life timestamp shall contain the power-on lifetime of the device in hours when command completion occurred.

#### 8.41.6.8.2.4 Device error count

The device error count field shall contain the total number of errors attributable to the device that have been reported by the device during the life of the device. These errors shall include UNC errors, IDNF errors for which the address requested was valid, servo errors, write fault errors, etc. This count shall not include errors attributed to the receipt of faulty commands such as commands codes not implemented by the device or requests with invalid parameters or invalid addresses. If the maximum value for this field is reached, the count shall remain at the maximum value when additional errors are encountered and logged.

#### 8.41.6.8.2.5 Data structure checksum

The data structure checksum is the two's complement of the sum of the first 511 bytes in the data structure. Each byte shall be added with unsigned arithmetic, and overflow shall be ignored. The sum of all 512 bytes will be zero when the checksum is correct. The checksum is placed in byte 511.

#### 8.41.6.8.3 Self-test log sector

Table 45 defines the 512 bytes that make up the SMART self-test log sector. All multi-byte fields shown in this structure follow the byte ordering described in 3.2.9.

**Table 45 - Self-test log data structure**

| Byte    | Descriptions                                 |
|---------|--|
| 0-1     | Self-test log data structure revision number |
| 2-25    | First descriptor entry                       |
| 26-49   | Second descriptor entry                      |
| .....   | .....  |
| 482-505 | Twenty-first descriptor entry                |
| 506-507 | Vendor specific                              |
| 508     | Self-test index                              |
| 509-510 | Reserved                                     |
| 511     | Data structure checksum                      |

This log is viewed as a circular buffer. The first entry shall begin at byte 2, the second entry shall begin at byte 26, and so on until the twenty-second entry, that shall replace the first entry. Then, the twenty-third entry shall replace the second entry, and so on. If fewer than 21 self-tests have been performed by the device, the unused descriptor entries shall be filled with zeroes.

##### 8.41.6.8.3.1 Self-test log data structure revision number

The value of the self-test log data structure revision number shall be 0001h.

##### 8.41.6.8.3.2 Self-test log descriptor entry

The content of the self-test descriptor entry is shown in Table 46.

**Table 46 - Self-test log descriptor entry**

| Byte       | Descriptions                                      |
|------------|---|
| n          | Content of the Sector Number register.            |
| n+1        | Content of the self-test execution status byte.   |
| n+2        | Life timestamp (least significant byte).          |
| n+3        | Life timestamp (most significant byte).           |
| n+4        | Content of the self-test failure checkpoint byte. |
| n+5        | Failing LBA (least significant byte).             |
| n+6        | Failing LBA (next least significant byte).        |
| n+7        | Failing LBA (next most significant byte).         |
| n+8        | Failing LBA (most significant byte).              |
| n+9 - n+23 | Vendor specific.                                  |

Content of the Sector Number register shall be the content of the Sector Number register when the nth self-test subcommand was issued (see 8.41.4.8).

Content of the self-test execution status byte shall be the content of the self-test execution status byte when the nth self-test was completed (see 8.41.5.8.2).

Life timestamp shall contain the power-on lifetime of the device in hours when the nth self-test subcommand was completed.

Content of the self-test failure checkpoint byte shall be the content of the self-test failure checkpoint byte when the nth self-test was completed.

The failing LBA shall be the LBA of the uncorrectable sector that caused the test to fail. If the device encountered more than one uncorrectable sector during the test, this field shall indicate the LBA of the first uncorrectable sector encountered. If the test passed or the test failed for some reason other than an uncorrectable sector, the value of this field is undefined.

#### **8.41.6.8.3.3 Self-test index**

The self-test index shall point to the most recent entry. Initially, when the log is empty, the index shall be set to zero. It shall be set to one when the first entry is made, two for the second entry, etc., until the 22nd entry, when the index shall be reset to one.

#### **8.41.6.8.3.4 Data structure checksum**

The data structure checksum is the two's complement of the sum of the first 511 bytes in the data structure. Each byte shall be added with unsigned arithmetic, and overflow shall be ignored. The sum of all 512 bytes is zero when the checksum is correct. The checksum is placed in byte 511.

### **8.41.7 SMART RETURN STATUS**

#### **8.41.7.1 Command code**

B0h with a Feature register value of DAh.

#### **8.41.7.2 Feature set**

SMART feature set.

- Mandatory when the SMART feature set is implemented.
- Use prohibited when the PACKET Command feature set is implemented.

### 8.41.7.3 Protocol

Non-data command (see 9.4).

### 8.41.7.4 Inputs

The Features register shall be set to DAh. The Cylinder Low register shall be set to 4Fh. The Cylinder High register shall be set to C2h.

| Register      | 7   | 6  | 5   | 4   | 3  | 2  | 1  | 0  |
|---------------|-----|----|-----|-----|----|----|----|----|
| Features      | DAh |    |     |     |    |    |    |    |
| Sector Count  | na  |    |     |     |    |    |    |    |
| Sector Number | na  |    |     |     |    |    |    |    |
| Cylinder Low  | 4Fh |    |     |     |    |    |    |    |
| Cylinder High | C2h |    |     |     |    |    |    |    |
| Device/Head   | obs | na | obs | DEV | na | na | na | na |
| Command       | B0h |    |     |     |    |    |    |    |

Device/Head register -

DEV shall indicate the selected device.

### 8.41.7.5 Normal outputs

If the device has not detected a threshold exceeded condition, the device sets the Cylinder Low register to 4Fh and the Cylinder High register to C2h. If the device has detected a threshold exceeded condition, the device sets the Cylinder Low register to F4h and the Cylinder High register to 2Ch.

| Register      | 7          | 6    | 5   | 4   | 3   | 2  | 1  | 0   |
|---------------|------------|------|-----|-----|-----|----|----|-----|
| Error         | na         |      |     |     |     |    |    |     |
| Sector Count  | na         |      |     |     |     |    |    |     |
| Sector Number | na         |      |     |     |     |    |    |     |
| Cylinder Low  | 4Fh or F4h |      |     |     |     |    |    |     |
| Cylinder High | C2h or 2Ch |      |     |     |     |    |    |     |
| Device/Head   | obs        | na   | obs | DEV | na  | na | na | na  |
| Status        | BSY        | DRDY | DF  | na  | DRQ | na | na | ERR |

Cylinder Low -

4Fh if threshold not exceeded, F4h if threshold exceeded.

Cylinder High -

C2h if threshold not exceeded, 2Ch if threshold exceeded.

Device/Head register -

DEV shall indicate the selected device.

Status register -

BSY shall be cleared to zero indicating command completion.

DRDY shall be set to one.

DF (Device Fault) shall be cleared to zero.

DRQ shall be cleared to zero.

ERR shall be cleared to zero.

### 8.41.7.6 Error outputs

If the device does not support this command, if SMART is disabled, or if the values in the Features, Cylinder Low, or Cylinder High registers are invalid, the device shall return command aborted.

| Register      | 7   | 6    | 5   | 4   | 3   | 2    | 1  | 0   |
|---------------|-----|------|-----|-----|-----|------|----|-----|
| Error         | na  | na   | na  | na  | na  | ABRT | na | na  |
| Sector Count  | na  |      |     |     |     |      |    |     |
| Sector Number | na  |      |     |     |     |      |    |     |
| Cylinder Low  | na  |      |     |     |     |      |    |     |
| Cylinder High | na  |      |     |     |     |      |    |     |
| Device/Head   | obs | na   | obs | DEV | na  |      |    |     |
| Status        | BSY | DRDY | DF  | na  | DRQ | na   | na | ERR |

Error register -

ABRT shall be set to one if this command is not supported, if SMART is disabled, or if the input register values are invalid. ABRT may be set to one if the device is not able to complete the action requested by the command.

Device/Head register -

DEV shall indicate the selected device.

Status register -

BSY shall be cleared to zero indicating command completion.

DRDY shall be set to one.

DF (Device Fault) shall be set to one if a device fault has occurred.

DRQ shall be cleared to zero.

ERR shall be set to one if an Error register bit is set to one.

#### 8.41.7.7 Prerequisites

DRDY set to one. SMART enabled.

#### 8.41.7.8 Description

This command is used to communicate the reliability status of the device to the host at the host's request. If a threshold exceeded condition is not detected by the device, the device shall set the Cylinder Low register to 4Fh and the Cylinder High register to C2h. If a threshold exceeded condition is detected by the device, the device shall set the Cylinder Low register to F4h and the Cylinder High register to 2Ch.

### 8.41.8 SMART SAVE ATTRIBUTE VALUES

#### 8.41.8.1 Command code

B0h with a Feature register value of D3h.

#### 8.41.8.2 Feature set

SMART feature set.

- Optional and not recommended when the SMART feature set is implemented.
- Use prohibited when the PACKET Command feature set is implemented.

#### 8.41.8.3 Protocol

Non-data command (see 9.4).

#### 8.41.8.4 Inputs

The Features register shall be set to D3h. The Cylinder Low register shall be set to 4Fh. The Cylinder High register shall be set to C2h.

| Register      | 7   | 6  | 5   | 4   | 3  | 2  | 1  | 0  |
|---------------|-----|----|-----|-----|----|----|----|----|
| Features      | D3h |    |     |     |    |    |    |    |
| Sector Count  | na  |    |     |     |    |    |    |    |
| Sector Number | na  |    |     |     |    |    |    |    |
| Cylinder Low  | 4Fh |    |     |     |    |    |    |    |
| Cylinder High | C2h |    |     |     |    |    |    |    |
| Device/Head   | obs | na | obs | DEV | na | na | na | na |
| Command       | B0h |    |     |     |    |    |    |    |

Device/Head register -

DEV shall indicate the selected device.

#### 8.41.8.5 Normal outputs

| Register      | 7   | 6    | 5   | 4   | 3   | 2  | 1  | 0   |
|---------------|-----|------|-----|-----|-----|----|----|-----|
| Error         | na  |      |     |     |     |    |    |     |
| Sector Count  | na  |      |     |     |     |    |    |     |
| Sector Number | na  |      |     |     |     |    |    |     |
| Cylinder Low  | na  |      |     |     |     |    |    |     |
| Cylinder High | na  |      |     |     |     |    |    |     |
| Device/Head   | obs | na   | obs | DEV | na  | na | na | na  |
| Status        | BSY | DRDY | DF  | na  | DRQ | na | na | ERR |

Device/Head register -

DEV shall indicate the selected device.

Status register -

BSY shall be cleared to zero indicating command completion.

DRDY shall be set to one.

DF (Device Fault) shall be cleared to zero.

DRQ shall be cleared to zero.

ERR shall be cleared to zero.

#### 8.41.8.6 Error outputs

If the device does not support this command, if SMART is disabled, or if the values in the Features, Cylinder Low, or Cylinder High registers are invalid, the device shall return command aborted.

| Register      | 7   | 6    | 5   | 4   | 3   | 2    | 1  | 0   |
|---------------|-----|------|-----|-----|-----|------|----|-----|
| Error         | na  | na   | na  | na  | na  | ABRT | na | na  |
| Sector Count  | na  |      |     |     |     |      |    |     |
| Sector Number | na  |      |     |     |     |      |    |     |
| Cylinder Low  | na  |      |     |     |     |      |    |     |
| Cylinder High | na  |      |     |     |     |      |    |     |
| Device/Head   | obs | na   | obs | DEV | na  |      |    |     |
| Status        | BSY | DRDY | DF  | na  | DRQ | na   | na | ERR |

Error register -

ABRT shall be set to one if this command is not supported, if SMART is disabled, or if the input register values are invalid. ABRT may be set to one if the device is not able to complete the action requested by the command.

Device/Head register -

DEV shall indicate the selected device.

Status register -

BSY shall be cleared to zero indicating command completion.

DRDY shall be set to one.  
 DF (Device Fault) shall be set to one if a device fault has occurred.  
 DRQ shall be cleared to zero..  
 ERR shall be set to one if an Error register bit is set to one.

#### 8.41.8.7 Prerequisites

DRDY set to one. SMART enabled.

#### 8.41.8.8 Description

This command causes the device to immediately save any updated attribute values to the device's non-volatile memory regardless of the state of the attribute autosave timer.

#### 8.41.9 SMART WRITE LOG

##### 8.41.9.1 Command code

B0h with the content of the Features register equal to D6h.

##### 8.41.9.2 Feature set

SMART feature set.

- Optional when the SMART feature set is implemented.
- Use prohibited when the PACKET Command feature set is implemented.

##### 8.41.9.3 Protocol

PIO data-out (see 9.6).

##### 8.41.9.4 Inputs

The Features register shall be set to D6h. The Sector Count register shall indicate the number of sectors that shall be written to the log number indicated by the Sector Number register. The Cylinder Low register shall be set to 4Fh. The Cylinder High register shall be set to C2h.

| Register      | 7                               | 6  | 5   | 4   | 3  | 2 | 1 | 0 |
|---------------|---------------------------------|----|-----|-----|----|---|---|---|
| Features      | D6h                             |    |     |     |    |   |   |   |
| Sector Count  | Number of sectors to be written |    |     |     |    |   |   |   |
| Sector Number | Log sector address              |    |     |     |    |   |   |   |
| Cylinder Low  | 4Fh                             |    |     |     |    |   |   |   |
| Cylinder High | C2h                             |    |     |     |    |   |   |   |
| Device/Head   | obs                             | na | obs | DEV | na |   |   |   |
| Command       | B0h                             |    |     |     |    |   |   |   |

Sector count – Indicates the number of sectors that shall be written to the indicated log. If the number is greater than the number indicated in the “Log directory” (which is available in Log number zero), the drive shall return command aborted. The log transferred to the drive shall be stored by the drive starting at the first sector in the indicated log.

Sector number - Indicates the log to be written as described in Table 38. If this command is implemented, all address values defined as host vendor specific shall be implemented. These host vendor specific logs may be used by the host to store any data desired. Support for device vendor specific logs is optional. If the host attempts to write to a read only (RO) log address, the device shall return command aborted.

Device/Head register -

DEV shall indicate the selected device.

#### 8.41.9.5 Normal outputs

| Register      | 7   | 6    | 5   | 4   | 3   | 2  | 1  | 0   |
|---------------|-----|------|-----|-----|-----|----|----|-----|
| Features      | na  |      |     |     |     |    |    |     |
| Sector Count  | na  |      |     |     |     |    |    |     |
| Sector Number | na  |      |     |     |     |    |    |     |
| Cylinder Low  | na  |      |     |     |     |    |    |     |
| Cylinder High | na  |      |     |     |     |    |    |     |
| Device/Head   | obs | na   | obs | DEV | na  |    |    |     |
| Status        | BSY | DRDY | DF  | na  | DRQ | na | na | ERR |

Device/Head register -

DEV shall indicate the selected device.

Status register -

BSY shall be cleared to zero indicating command completion.

DRDY shall be set to one indicating that the device is capable of receiving any command.

DF (Device Fault) shall be cleared to zero.

DRQ shall be cleared to zero.

ERR shall be cleared to zero.

#### 8.41.9.6 Error outputs

If the device does not support this command, if SMART is disabled, or if the values in the Features, Sector Number, Sector Count, Cylinder Low, or Cylinder High registers are invalid, the device shall return command aborted. If the host attempts to write to a read only (RO) log address, the device shall return command aborted.

| Register      | 7   | 6    | 5   | 4    | 3   | 2    | 1  | 0   |
|---------------|-----|------|-----|------|-----|------|----|-----|
| Error         | na  | na   | na  | IDNF | na  | ABRT | na | obs |
| Sector Count  | na  |      |     |      |     |      |    |     |
| Sector Number | na  |      |     |      |     |      |    |     |
| Cylinder Low  | na  |      |     |      |     |      |    |     |
| Cylinder High | na  |      |     |      |     |      |    |     |
| Device/Head   | obs | na   | obs | DEV  | Na  |      |    |     |
| Status        | BSY | DRDY | DF  | na   | DRQ | na   | na | ERR |

Error register -

IDNF shall be set to one if SMART log sector's ID field could not be found.

ABRT shall be set to one if this command is not supported, if SMART is not enabled, if the log sector address is not implemented, or if other register values are invalid. ABRT may be set to one if the device is not able to complete the action requested by the command.

Device/Head register -

DEV shall indicate the selected device.

Status register -

BSY shall be cleared to zero indicating command completion.

DRDY shall be set to one indicating that the device is capable of receiving any command.

DF (Device Fault) shall be set to one indicating that a device fault has occurred.

DRQ shall be cleared to zero indicating that there is no data to be transferred.

ERR shall be set to one if any Error register bit is set to one.



### 8.41.9.7 Prerequisites

DRDY set to one. SMART enabled.

### 8.41.9.8 Description

This command writes an indicated number of 512 byte data sectors to the indicated log.

## 8.42 STANDBY

### 8.42.1 Command code

E2h

### 8.42.2 Feature set

Power Management feature set.

- Power Management feature set is mandatory when power management is not implemented by a PACKET power management feature set.
- This command is mandatory when the Power Management feature set is implemented when the PACKET Command feature set is not implemented.

### 8.42.3 Protocol

Non-data command (see 9.4).

### 8.42.4 Inputs

The value in the Sector Count register when the STANDBY command is issued shall determine the time period programmed into the Standby timer. Table 23 defines these values.

| Register      | 7                 | 6  | 5   | 4   | 3  | 2  | 1  | 0  |
|---------------|-------------------|----|-----|-----|----|----|----|----|
| Features      | na                |    |     |     |    |    |    |    |
| Sector Count  | Time period value |    |     |     |    |    |    |    |
| Sector Number | na                |    |     |     |    |    |    |    |
| Cylinder Low  | na                |    |     |     |    |    |    |    |
| Cylinder High | na                |    |     |     |    |    |    |    |
| Device/Head   | obs               | na | obs | DEV | na | na | na | na |
| Command       | E2h               |    |     |     |    |    |    |    |

Device/Head register -

DEV shall indicate the selected device.

**8.42.5 Normal outputs**

| Register      | 7   | 6    | 5   | 4   | 3   | 2  | 1  | 0   |
|---------------|-----|------|-----|-----|-----|----|----|-----|
| Error         | na  |      |     |     |     |    |    |     |
| Sector Count  | na  |      |     |     |     |    |    |     |
| Sector Number | na  |      |     |     |     |    |    |     |
| Cylinder Low  | na  |      |     |     |     |    |    |     |
| Cylinder High | na  |      |     |     |     |    |    |     |
| Device/Head   | obs | na   | obs | DEV | na  | na | na | na  |
| Status        | BSY | DRDY | DF  | na  | DRQ | na | na | ERR |

Device/Head register -

DEV shall indicate the selected device.

Status register -

BSY shall be cleared to zero indicating command completion.

DRDY shall be set to one.

DF (Device Fault) shall be cleared to zero.

DRQ shall be cleared to zero.

ERR shall be cleared to zero.

**8.42.6 Error outputs**

The device shall return command aborted if the device does not support the Power Management feature set.

| Register      | 7   | 6    | 5   | 4   | 3   | 2    | 1  | 0   |
|---------------|-----|------|-----|-----|-----|------|----|-----|
| Error         | na  | na   | na  | na  | na  | ABRT | na | na  |
| Sector Count  | na  |      |     |     |     |      |    |     |
| Sector Number | na  |      |     |     |     |      |    |     |
| Cylinder Low  | na  |      |     |     |     |      |    |     |
| Cylinder High | na  |      |     |     |     |      |    |     |
| Device/Head   | obs | na   | obs | DEV | na  |      |    |     |
| Status        | BSY | DRDY | DF  | na  | DRQ | na   | na | ERR |

Error register -

ABRT shall be set to one if the Power Management feature set is not supported. ABRT may be set to one if the device is not able to complete the action requested by the command.

Device/Head register -

DEV shall indicate the selected device.

Status register -

BSY shall be cleared to zero indicating command completion.

DRDY shall be set to one.

DF (Device Fault) shall be set to one if a device fault has occurred.

DRQ shall be cleared to zero.

ERR shall be set to one if an Error register bit is set to one.

**8.42.7 Prerequisites**

DRDY set to one.

**8.42.8 Description**

This command causes the device to enter the Standby mode.

If the Sector Count register is non-zero then the Standby timer shall be enabled. The value in the Sector Count register shall be used to determine the time programmed into the Standby timer (see Table 23).

If the Sector Count register is zero then the Standby timer is disabled.

## 8.43 STANDBY IMMEDIATE

### 8.43.1 Command code

E0h

### 8.43.2 Feature set

Power Management feature set.

- Power Management feature set is mandatory when power management is not implemented by a PACKET power management feature set.
- This command is mandatory when the Power Management feature set is implemented.

### 8.43.3 Protocol

Non-data command (see 9.4).

### 8.43.4 Inputs

| Register      | 7   | 6  | 5   | 4   | 3  | 2  | 1  | 0  |
|---------------|-----|----|-----|-----|----|----|----|----|
| Features      | na  |    |     |     |    |    |    |    |
| Sector Count  | na  |    |     |     |    |    |    |    |
| Sector Number | na  |    |     |     |    |    |    |    |
| Cylinder Low  | na  |    |     |     |    |    |    |    |
| Cylinder High | na  |    |     |     |    |    |    |    |
| Device/Head   | obs | na | obs | DEV | na | na | na | na |
| Command       | E0h |    |     |     |    |    |    |    |

Device/Head register -

DEV shall indicate the selected device.

### 8.43.5 Normal outputs

| Register      | 7   | 6    | 5   | 4   | 3   | 2  | 1  | 0   |
|---------------|-----|------|-----|-----|-----|----|----|-----|
| Error         | na  |      |     |     |     |    |    |     |
| Sector Count  | na  |      |     |     |     |    |    |     |
| Sector Number | na  |      |     |     |     |    |    |     |
| Cylinder Low  | na  |      |     |     |     |    |    |     |
| Cylinder High | na  |      |     |     |     |    |    |     |
| Device/Head   | obs | na   | obs | DEV | na  | na | na | na  |
| Status        | BSY | DRDY | DF  | na  | DRQ | na | na | ERR |

Device/Head register -

DEV shall indicate the selected device.

Status register -

BSY shall be cleared to zero indicating command completion.

DRDY shall be set to one.

DF (Device Fault) shall be cleared to zero.

DRQ shall be cleared to zero.  
ERR shall be cleared to zero.

### 8.43.6 Error outputs

The device shall return command aborted if the device does not support the Power Management feature set.

| Register      | 7   | 6    | 5   | 4   | 3   | 2    | 1  | 0   |
|---------------|-----|------|-----|-----|-----|------|----|-----|
| Error         | na  | na   | na  | na  | na  | ABRT | na | na  |
| Sector Count  | na  |      |     |     |     |      |    |     |
| Sector Number | na  |      |     |     |     |      |    |     |
| Cylinder Low  | na  |      |     |     |     |      |    |     |
| Cylinder High | na  |      |     |     |     |      |    |     |
| Device/Head   | obs | na   | obs | DEV | na  |      |    |     |
| Status        | BSY | DRDY | DF  | na  | DRQ | na   | na | ERR |

Error register -

ABRT shall be set to one if the Power Management feature set is not supported. ABRT may be set to one if the device is not able to complete the action requested by the command.

Device/Head register -

DEV shall indicate the selected device.

Status register -

BSY shall be cleared to zero indicating command completion.

DRDY shall be set to one.

DF (Device Fault) shall be set to one if a device fault has occurred.

DRQ shall be cleared to zero.

ERR shall be set to one if an Error register bit is set to one.

### 8.43.7 Prerequisites

DRDY set to one.

### 8.43.8 Description

This command causes the device to immediately enter the Standby mode.

## 8.44 WRITE BUFFER

### 8.44.1 Command code

E8h

### 8.44.2 Feature set

General feature set

- Optional for devices not implementing the PACKET Command feature set.
- Use prohibited for devices implementing the PACKET Command feature set.

### 8.44.3 Protocol

PIO data-out (see 9.6).

#### 8.44.4 Inputs

| Register      | 7   | 6  | 5   | 4   | 3  | 2  | 1  | 0  |
|---------------|-----|----|-----|-----|----|----|----|----|
| Features      | na  |    |     |     |    |    |    |    |
| Sector Count  | na  |    |     |     |    |    |    |    |
| Sector Number | na  |    |     |     |    |    |    |    |
| Cylinder Low  | na  |    |     |     |    |    |    |    |
| Cylinder High | na  |    |     |     |    |    |    |    |
| Device/Head   | obs | na | obs | DEV | na | na | na | na |
| Command       | E8h |    |     |     |    |    |    |    |

Device/Head register -

DEV shall indicate the selected device.

#### 8.44.5 Normal outputs

| Register      | 7   | 6    | 5   | 4   | 3   | 2  | 1  | 0   |
|---------------|-----|------|-----|-----|-----|----|----|-----|
| Error         | na  |      |     |     |     |    |    |     |
| Sector Count  | na  |      |     |     |     |    |    |     |
| Sector Number | na  |      |     |     |     |    |    |     |
| Cylinder Low  | na  |      |     |     |     |    |    |     |
| Cylinder High | na  |      |     |     |     |    |    |     |
| Device/Head   | obs | na   | obs | DEV | na  | na | na | na  |
| Status        | BSY | DRDY | DF  | na  | DRQ | na | na | ERR |

Device/Head register -

DEV shall indicate the selected device.

Status register -

BSY shall be cleared to zero indicating command completion.

DRDY shall be set to one.

DF (Device Fault) shall be cleared to zero.

DRQ shall be cleared to zero.

ERR shall be cleared to zero.

#### 8.44.6 Error outputs

The device shall return command aborted if the command is not supported.

| Register      | 7   | 6    | 5   | 4   | 3   | 2    | 1  | 0   |
|---------------|-----|------|-----|-----|-----|------|----|-----|
| Error         | na  | na   | na  | na  | na  | ABRT | na | na  |
| Sector Count  | na  |      |     |     |     |      |    |     |
| Sector Number | na  |      |     |     |     |      |    |     |
| Cylinder Low  | na  |      |     |     |     |      |    |     |
| Cylinder High | na  |      |     |     |     |      |    |     |
| Device/Head   | obs | na   | obs | DEV | na  |      |    |     |
| Status        | BSY | DRDY | DF  | na  | DRQ | na   | na | ERR |

Error register -

ABRT shall be set to one if this command is not supported. ABRT may be set to one if the device is not able to complete the action requested by the command.

Device/Head register -

DEV shall indicate the selected device.

Status register -

BSY shall be cleared to zero indicating command completion.

DRDY shall be set to one.  
 DF (Device Fault) shall be set to one if a device fault has occurred.  
 DRQ shall be cleared to zero.  
 ERR shall be set to one if an Error register bit is set to one.

**8.44.7 Prerequisites**

DRDY set to one.

**8.44.8 Description**

This command enables the host to write the contents of one sector in the device's buffer.

The READ BUFFER and WRITE BUFFER commands shall be synchronized within the device such that sequential WRITE BUFFER and READ BUFFER commands access the same 512 bytes within the buffer.

**8.45 WRITE DMA**

**8.45.1 Command code**

CAh

**8.45.2 Feature set**

General feature set

Mandatory for devices not implementing the PACKET Command feature set.  
 Use prohibited for devices implementing the PACKET Command feature set.

**8.45.3 Protocol**

DMA (see 9.7).

**8.45.4 Inputs**

The Cylinder Low, Cylinder High, Device/Head, and Sector Number specify the starting sector address to be written. The Sector Count register specifies the number of sectors to be transferred.

| Register      | 7                    | 6   | 5   | 4   | 3                  | 2 | 1 | 0 |
|---------------|----------------------|-----|-----|-----|--------------------|---|---|---|
| Features      | na                   |     |     |     |                    |   |   |   |
| Sector Count  | Sector count         |     |     |     |                    |   |   |   |
| Sector Number | Sector number or LBA |     |     |     |                    |   |   |   |
| Cylinder Low  | Cylinder low or LBA  |     |     |     |                    |   |   |   |
| Cylinder High | Cylinder high or LBA |     |     |     |                    |   |   |   |
| Device/Head   | obs                  | LBA | obs | DEV | Head number or LBA |   |   |   |
| Command       | CAh                  |     |     |     |                    |   |   |   |

- Sector Count - number of sectors to be transferred. A value of 00h indicates that 256 sectors are to be transferred.
- Sector Number - starting sector number or LBA address bits (7:0).
- Cylinder Low - starting cylinder number bits (7:0) or LBA address bits (15:8).
- Cylinder High -

starting cylinder number bits (15:8) or LBA address bits (23:16).

Device/Head -

bit 6 set to one if LBA address, cleared to zero if CHS address.

DEV shall indicate the selected device.

bits (3:0) starting head number or LBA address bits (27:24).

#### 8.45.5 Normal outputs

| Register      | 7   | 6    | 5   | 4   | 3   | 2  | 1  | 0   |
|---------------|-----|------|-----|-----|-----|----|----|-----|
| Error         | na  |      |     |     |     |    |    |     |
| Sector Count  | na  |      |     |     |     |    |    |     |
| Sector Number | na  |      |     |     |     |    |    |     |
| Cylinder Low  | na  |      |     |     |     |    |    |     |
| Cylinder High | na  |      |     |     |     |    |    |     |
| Device/Head   | obs | na   | obs | DEV | na  | na | na | na  |
| Status        | BSY | DRDY | DF  | na  | DRQ | na | na | ERR |

Device/Head register -

DEV shall indicate the selected device.

Status register -

BSY shall be cleared to zero indicating command completion.

DRDY shall be set to one.

DF (Device Fault) shall be cleared to zero.

DRQ shall be cleared to zero.

ERR shall be cleared to zero.

#### 8.45.6 Error outputs

An unrecoverable error encountered during the execution of this command results in the termination of the command. The Command Block registers contain the address of the sector where the first unrecoverable error occurred. The amount of data transferred is indeterminate.

| Register      | 7                    | 6    | 5   | 4    | 3                  | 2    | 1  | 0   |
|---------------|----------------------|------|-----|------|--------------------|------|----|-----|
| Error         | ICRC                 | WP   | MC  | IDNF | MCR                | ABRT | NM | obs |
| Sector Count  | na                   |      |     |      |                    |      |    |     |
| Sector Number | Sector number or LBA |      |     |      |                    |      |    |     |
| Cylinder Low  | Cylinder low or LBA  |      |     |      |                    |      |    |     |
| Cylinder High | Cylinder high or LBA |      |     |      |                    |      |    |     |
| Device/Head   | obs                  | na   | obs | DEV  | Head number or LBA |      |    |     |
| Status        | BSY                  | DRDY | DF  | na   | DRQ                | na   | na | ERR |

Error register -

ICRC shall be set to one if an interface CRC error has occurred during an Ultra DMA data transfer. The content of this bit is not applicable for Multiword DMA transfers.

WP shall be set to one if the media in a removable media device is write protected.

MC shall be set to one if the media in a removable media device changed since the issuance of the last command. The device shall clear the device internal media change detected state.

IDNF shall be set to one if a user-accessible address could not be found and after an unsuccessful INITIALIZE DEVICE PARAMETERS command until a valid CHS translation is established (see 8.16.8). IDNF shall be set to one if an address outside of the range of user-accessible addresses is requested if command aborted is not returned.

MCR shall be set to one if a media change request has been detected by a removable media device.  
 This bit is only cleared by a GET MEDIA STATUS or a media access command.

ABRT shall be set to one if this command is not supported or if an error, including an ICRC error, has occurred during an Ultra DMA data transfer. ABRT may be set to one if the device is not able to complete the action requested by the command. ABRT shall be set to one if an address outside of the range of user-accessible addresses is requested if IDNF is not set to one.

NM shall be set to one if no media is present in a removable media device.

Sector Number, Cylinder Low, Cylinder High, Device/Head - shall be written with address of first unrecoverable error.  
 DEV shall indicate the selected device.

Status register -

BSY shall be cleared to zero indicating command completion.  
 DRDY shall be set to one.  
 DF (Device Fault) shall be set to one if a device fault has occurred.  
 DRQ shall be cleared to zero.  
 ERR shall be set to one if an Error register bit is set to one.

### 8.45.7 Prerequisites

DRDY set to one. The host shall initialize the DMA channel.

### 8.45.8 Description

The WRITE DMA command allows the host to write data using the DMA data transfer protocol.

## 8.46 WRITE DMA QUEUED

### 8.46.1 Command code

CCh

### 8.46.2 Feature set

Overlapped feature set

- Mandatory for devices implementing the Overlapped feature set but not implementing the PACKET Command feature set.
- Use prohibited for devices implementing the PACKET Command feature set.

### 8.46.3 Protocol

DMA QUEUED (see 9.9).

### 8.46.4 Inputs

| Register      | 7                    | 6   | 5   | 4   | 3                  | 2  | 1  | 0  |
|---------------|----------------------|-----|-----|-----|--------------------|----|----|----|
| Features      | Sector Count         |     |     |     |                    |    |    |    |
| Sector Count  | Tag                  |     |     |     |                    | na | na | na |
| Sector Number | Sector number or LBA |     |     |     |                    |    |    |    |
| Cylinder Low  | Cylinder low or LBA  |     |     |     |                    |    |    |    |
| Cylinder High | Cylinder high or LBA |     |     |     |                    |    |    |    |
| Device/Head   | obs                  | LBA | obs | DEV | Head number or LBA |    |    |    |
| Command       | CCh                  |     |     |     |                    |    |    |    |

Features -

number of sectors to be transferred. A value of 00h indicates that 256 sectors are to be transferred.



Sector count -

if the device supports command queuing, bits (7:3) contain the Tag for the command being delivered. A Tag value may be any value between 0 and 31 regardless of the queue depth supported. If queuing is not supported, this field is not applicable.

Sector number -

starting sector number or LBA address bits (7:0).

Cylinder Low -

starting cylinder number bits (7:0) or LBA address bits (15:8).

Cylinder High -

starting cylinder number bits (15:8) or LBA address bits (23:16).

Device/Head -

bit 6 set to one if LBA address, cleared to zero if CHS address.

DEV shall indicate the selected device.

bits (3:0) starting head number or LBA address bits (27:24).

## 8.46.5 Normal outputs

### 8.46.5.1 Data transmission

Data transfer may occur after receipt of the command or may occur after the receipt of a SERVICE command. When the device is ready to transfer data requested by a data transfer command, the device sets the following register content to initiate the data transfer.

| Register      | 7   | 6    | 5   | 4    | 3   | 2   | 1   | 0   |
|---------------|-----|------|-----|------|-----|-----|-----|-----|
| Error         | na  |      |     |      |     |     |     |     |
| Sector Count  | Tag |      |     |      |     | REL | I/O | C/D |
| Sector Number | na  |      |     |      |     |     |     |     |
| Cylinder Low  | na  |      |     |      |     |     |     |     |
| Cylinder High | na  |      |     |      |     |     |     |     |
| Device/Head   | obs | na   | obs | DEV  | na  | na  | na  | na  |
| Status        | BSY | DRDY | DF  | SERV | DRQ | na  | na  | CHK |

Interrupt reason register -

Tag - This field contains the command Tag for the command. A Tag value may be any value between 0 and 31 regardless of the queue depth supported. If the device does not support command queuing or overlap is disabled, this field is not applicable.

REL - Shall be cleared to zero.

I/O - Shall be cleared to zero indicating the transfer is from the host.

C/D - Shall be cleared to zero indicating the transfer of data.

Device/Head register -

DEV - Shall indicate the selected device.

Status register -

BSY - Shall be cleared to zero.

DRDY - Shall be set to one.

DF (Device Fault) - Shall be cleared to zero.

SERV (Service) - Shall be set to one if another command is ready to be serviced.

DRQ - Shall be set to one.

CHK - Shall be cleared to zero.

### 8.46.5.2 Bus release

If the device performs a bus release before transferring data for this command, the register content upon performing a bus release shall be as shown below.

| Register      | 7   | 6    | 5   | 4    | 3   | 2   | 1   | 0   |
|---------------|-----|------|-----|------|-----|-----|-----|-----|
| Error         | na  |      |     |      |     |     |     |     |
| Sector Count  | Tag |      |     |      |     | REL | I/O | C/D |
| Sector Number | na  |      |     |      |     |     |     |     |
| Cylinder Low  | na  |      |     |      |     |     |     |     |
| Cylinder High | na  |      |     |      |     |     |     |     |
| Device/Head   | obs | na   | obs | DEV  | na  |     |     |     |
| Status        | BSY | DRDY | DF  | SERV | DRQ | na  | na  | ERR |

## Sector Count register -

Tag - If the device supports command queuing, this field shall contain the Tag of the command being bus released. If the device does not support command queuing, this field shall be zeros.

REL bit shall be set indicating that the device has bus released an overlap command.

I/O shall be cleared to zero.

C/D shall be cleared to zero.

## Device/Head register -

DEV shall indicate the selected device.

## Status register -

BSY shall be cleared to zero indicating bus release.

DRDY shall be set to one.

SERV (Service) shall be cleared to zero if no other queued command is ready for service. SERV shall be set to one when another queued command is ready for service. This bit shall be set to one when the device has prepared this command for service.

DF (Device Fault) shall be cleared to zero.

DRQ bit shall be cleared to zero.

ERR bit shall be cleared to zero.

**8.46.5.3 Service request**

When the device is ready to transfer data or complete a command after the command has performed a bus release, the device shall set the SERV bit and not change the state of any other register bit (see 6.9). When the SERVICE command is received, the device shall set outputs as described in data transfer, command completion, or error outputs depending on the service the device requires.

**8.46.5.4 Command completion**

When the transfer of all requested data has occurred without error, the register content shall be as shown below.

| Register      | 7   | 6    | 5   | 4    | 3   | 2   | 1   | 0   |
|---------------|-----|------|-----|------|-----|-----|-----|-----|
| Error         | 00h |      |     |      |     |     |     |     |
| Sector Count  | Tag |      |     |      |     | REL | I/O | C/D |
| Sector Number | na  |      |     |      |     |     |     |     |
| Cylinder Low  | na  |      |     |      |     |     |     |     |
| Cylinder High | na  |      |     |      |     |     |     |     |
| Device/Head   | obs | na   | obs | DEV  | na  |     |     |     |
| Status        | BSY | DRDY | DF  | SERV | DRQ | na  | na  | ERR |

## Sector Count register -

Tag - If the device supports command queuing, this field shall contain the Tag of the completed command. If the device does not support command queuing, this field shall be zeros.

REL shall be cleared to zero.

I/O shall be set to one.

C/D shall be set to one.

Device/Head register -

DEV shall indicate the selected device.

Status register -

BSY shall be cleared to zero indicating command completion.

DRDY shall be set to one.

SERV (Service) shall be cleared to zero when no other queued command is ready for service. SERV shall be set to one when another queued command is ready for service.

DF (Device Fault) shall be cleared to zero.

DRQ bit shall be cleared to zero.

ERR bit shall be cleared to zero.

#### 8.46.6 Error outputs

The Sector Count register contains the Tag for this command if the device supports command queuing. The device shall return command aborted if the command is not. The device shall return command aborted if the device supports command queuing and the Tag is invalid. An unrecoverable error encountered during the execution of this command results in the termination of the command and the Command Block registers contain the sector where the first unrecoverable error occurred. If a queue existed, the unrecoverable error shall cause the queue to abort. The device may remain BSY for some time when responding to these errors.

| Register      | 7                    | 6    | 5   | 4    | 3                  | 2    | 1   | 0   |
|---------------|----------------------|------|-----|------|--------------------|------|-----|-----|
| Error         | ICRC                 | WP   | MC  | IDNF | MCR                | ABRT | NM  | na  |
| Sector Count  | Tag                  |      |     |      |                    | REL  | I/O | C/D |
| Sector Number | Sector number or LBA |      |     |      |                    |      |     |     |
| Cylinder Low  | Cylinder low or LBA  |      |     |      |                    |      |     |     |
| Cylinder High | Cylinder high or LBA |      |     |      |                    |      |     |     |
| Device/Head   | obs                  | na   | obs | DEV  | Head number or LBA |      |     |     |
| Status        | BSY                  | DRDY | DF  | SERV | DRQ                | na   | na  | ERR |

Error register -

ICRC shall be set to one if an interface CRC error has occurred during an Ultra DMA data transfer. The content of this bit is not applicable for Multiword DMA transfers.

WP shall be set to one if the media in a removable media device is write protected.

MC shall be set to one if the media in a removable media device changed since the issuance of the last command. The device shall clear the device internal media change detected state.

IDNF shall be set to one if a user-accessible address could not be found and after an unsuccessful INITIALIZE DEVICE PARAMETERS command until a valid CHS translation is established (see 8.16.8). IDNF shall be set to one if an address outside of the range of user-accessible addresses is requested if command aborted is not returned.

MCR shall be set to one if a media change request has been detected by a removable media device. This bit is only cleared by a GET MEDIA STATUS or a media access command.

ABRT shall be set to one if this command is not supported or if an error, including an ICRC error, has occurred during an Ultra DMA data transfer. ABRT may be set to one if the device is not able to complete the action requested by the command. ABRT shall be set to one if an address outside of the range of user-accessible addresses is requested if IDNF is not set to one.

NM shall be set to one if no media is present in a removable media device.

Sector Count register -

Tag - If the device supports command queuing, this field shall contain the Tag of the completed command. If the device does not support command queuing, this field shall be zeros.

REL shall be cleared to zero.

I/O shall be set to one.

C/D shall be set to one.

Sector Number, Cylinder Low, Cylinder High, Device/Head -

shall be written with the address of first unrecoverable error.

DEV shall indicate the selected device.

Status register -

- BSY shall be cleared to zero indicating command completion.
- DRDY shall be set to one.
- DF (Device Fault) shall be set to one if a device fault has occurred.
- SERV (Service) shall be cleared to zero when no other queued command is ready for service. SERV shall be set to one when another queued command is ready for service.
- DRQ shall be cleared to zero.
- ERR shall be set to one if an Error register bit is set to one.

**8.46.7 Prerequisites**

DRDY set to one. The host shall initialize the DMA channel.

**8.46.8 Description**

This command executes in a similar manner to a WRITE DMA command. The device may perform a bus release the bus or may execute the data transfer without performing a bus release if the data is ready to transfer.

If the device performs a bus release, the host shall reselect the device using the SERVICE command.

Once the data transfer is begun, the device shall not perform a bus release until the entire data transfer has been completed.

**8.47 WRITE MULTIPLE**

**8.47.1 Command code**

C5h

**8.47.2 Feature set**

General feature set

- Mandatory for devices not implementing the PACKET Command feature set.
- Use prohibited for devices implementing the PACKET Command feature set.

**8.47.3 Protocol**

PIO data-out (see 9.6).

**8.47.4 Inputs**

The Cylinder Low, Cylinder High, Device/Head, and Sector Number specify the starting sector address to be written. The Sector Count register specifies the number of sectors to be transferred.

| Register      | 7                    | 6   | 5   | 4   | 3                  | 2 | 1 | 0 |
|---------------|----------------------|-----|-----|-----|--------------------|---|---|---|
| Features      | na                   |     |     |     |                    |   |   |   |
| Sector Count  | Sector count         |     |     |     |                    |   |   |   |
| Sector Number | Sector number or LBA |     |     |     |                    |   |   |   |
| Cylinder Low  | Cylinder low or LBA  |     |     |     |                    |   |   |   |
| Cylinder High | Cylinder high or LBA |     |     |     |                    |   |   |   |
| Device/Head   | obs                  | LBA | obs | DEV | Head number or LBA |   |   |   |
| Command       | C5h                  |     |     |     |                    |   |   |   |

**Sector Count -**

number of sectors to be transferred. A value of 00h indicates that 256 sectors are to be transferred.

**Sector Number -**

starting sector number or LBA address bits (7:0).

**Cylinder Low -**

starting cylinder number bits (7:0) or LBA address bits (15:8).

**Cylinder High -**

starting cylinder number bits (15:8) or LBA address bits (23:16).

**Device/Head -**

bit 6 set to one if LBA address, cleared to zero if CHS address.

DEV shall indicate the selected device.

bits (3:0) starting head number or LBA address bits (27:24).

**8.47.5 Normal outputs**

| Register      | 7   | 6    | 5   | 4   | 3   | 2  | 1  | 0   |
|---------------|-----|------|-----|-----|-----|----|----|-----|
| Error         | na  |      |     |     |     |    |    |     |
| Sector Count  | na  |      |     |     |     |    |    |     |
| Sector Number | na  |      |     |     |     |    |    |     |
| Cylinder Low  | na  |      |     |     |     |    |    |     |
| Cylinder High | na  |      |     |     |     |    |    |     |
| Device/Head   | obs | na   | obs | DEV | na  | na | na | na  |
| Status        | BSY | DRDY | DF  | na  | DRQ | na | na | ERR |

**Device/Head register -**

DEV shall indicate the selected device.

**Status register -**

BSY shall be cleared to zero indicating command completion.

DRDY shall be set to one.

DF (Device Fault) shall be cleared to zero.

DRQ shall be cleared to zero.

ERR shall be cleared to zero.

**8.47.6 Error outputs**

An unrecoverable error encountered during the execution of this command results in the termination of the command. The Command Block registers contain the address of the sector where the first unrecoverable error occurred. The amount of data transferred is indeterminate.

| Register      | 7                    | 6    | 5   | 4    | 3                  | 2    | 1  | 0   |
|---------------|----------------------|------|-----|------|--------------------|------|----|-----|
| Error         | na                   | WP   | MC  | IDNF | MCR                | ABRT | NM | na  |
| Sector Count  | na                   |      |     |      |                    |      |    |     |
| Sector Number | Sector number or LBA |      |     |      |                    |      |    |     |
| Cylinder Low  | Cylinder low or LBA  |      |     |      |                    |      |    |     |
| Cylinder High | Cylinder high or LBA |      |     |      |                    |      |    |     |
| Device/Head   | obs                  | na   | obs | DEV  | Head number or LBA |      |    |     |
| Status        | BSY                  | DRDY | DF  | na   | DRQ                | na   | na | ERR |

**Error register -**

WP shall be set to one if the media in a removable media device is write protected.

MC shall be set to one if the media in a removable media device changed since the issuance of the last command. The device shall clear the device internal media change detected state.

IDNF shall be set to one if a user-accessible address could not be found and after an unsuccessful INITIALIZE DEVICE PARAMETERS command until a valid CHS translation is established (see

8.16.8). IDNF shall be set to one if an address outside of the range of user-accessible addresses is requested if command aborted is not returned.

MCR shall be set to one if a media change request has been detected by a removable media device. This bit is only cleared by a GET MEDIA STATUS or a media access command.

ABRT shall be set to one if this command is not supported or if an error, including an ICRC error, has occurred during an Ultra DMA data transfer. ABRT may be set to one if the device is not able to complete action requested by the command. ABRT shall be set to one if an address outside of the range of user-accessible addresses is requested if IDNF is not set to one.

NM shall be set to one if no media is present in a removable media device.

Sector Number, Cylinder Low, Cylinder High, Device/Head - shall be written with the address of first unrecoverable error. DEV shall indicate the selected device.

Status register -

BSY shall be cleared to zero indicating command completion.

DRDY shall be set to one.

DF (Device Fault) shall be set to one if a device fault has occurred.

DRQ shall be cleared to zero.

ERR shall be set to one if an Error register bit is set to one.

#### 8.47.7 Prerequisites

DRDY set to one. If bit 8 of IDENTIFY DEVICE word 59 is cleared to zero, a successful SET MULTIPLE MODE command shall proceed a WRITE MULTIPLE command.

#### 8.47.8 Description

The WRITE MULTIPLE command performs the same as the WRITE SECTOR(S) command except that the device does not a) set DF, as required, b) set ERR and the bits in the Error register, as required, c) clear DRQ and BSY, and d) assert INTRQ until data is transferred for all sectors in the block. Data for all of the other sectors in the block are transferred without the device asserting INTRQ. In addition, the DRQ qualification of the transfer is required only before the first sector of a block, not before each sector of the block.

The number of sectors per block is defined by a successful SET MULTIPLE command. If no successful SET MULTIPLE command has been issued, the block is defined by the device's default value for number of sectors per block as defined in bits 0-7 in word 47 in the IDENTIFY DEVICE information.

If bit 8 is set to one and bits 0-7 are cleared to zero in word 59 in the IDENTIFY DEVICE information, then the block count of sectors to be transferred without intervening interrupts shall be programmed by the SET MULTIPLE MODE command before issuing the first READ MULTIPLE or WRITE MULTIPLE command after a power-on or hardware reset. If bit 8 in word 1 is set to one and bits 0-7 are not cleared to zero in word 59 in the IDENTIFY DEVICE information, then the block count of sectors to be transferred without intervening interrupts may be reprogrammed by the SET MULTIPLE MODE command before issuing the next READ MULTIPLE or WRITE MULTIPLE command.

When the WRITE MULTIPLE command is issued, the Sector Count register contains the number of sectors (not the number of blocks) requested.

If the number of requested sectors is not evenly divisible by the block count, as many full blocks as possible are transferred, followed by a final, partial block transfer. The partial block transfer is for  $n$  sectors, where:

$$n = \text{Remainder (sector count/ block count)}.$$

If the WRITE MULTIPLE command is received when WRITE MULTIPLE commands are disabled, the Write Multiple operation shall be rejected with command aborted.

Device errors encountered during WRITE MULTIPLE commands are posted after the attempted device write of the block or partial block transferred. The command ends with the sector in error, even if the error was in the middle of a block. Subsequent blocks are not transferred in the event of an error.

The contents of the Command Block Registers following the transfer of a data block that had a sector in error are undefined. The host should retry the transfer as individual requests to obtain valid error information. Interrupt pending is set when the DRQ bit is set to one at the beginning of each block or partial block.

## 8.48 WRITE SECTOR(S)

### 8.48.1 Command code

30h

### 8.48.2 Feature set

General feature set

- Mandatory for devices not implementing the PACKET Command feature set.
- Use prohibited for devices implementing the PACKET Command feature set.

### 8.48.3 Protocol

PIO data-out (see 9.6).

### 8.48.4 Inputs

The Cylinder Low, Cylinder High, Device/Head, and Sector Number specify the starting sector address to be written. The Sector Count register specifies the number of sectors to be transferred.

| Register      | 7                    | 6   | 5   | 4   | 3                  | 2 | 1 | 0 |
|---------------|----------------------|-----|-----|-----|--------------------|---|---|---|
| Features      | na                   |     |     |     |                    |   |   |   |
| Sector Count  | Sector count         |     |     |     |                    |   |   |   |
| Sector Number | Sector number or LBA |     |     |     |                    |   |   |   |
| Cylinder Low  | Cylinder low or LBA  |     |     |     |                    |   |   |   |
| Cylinder High | Cylinder high or LBA |     |     |     |                    |   |   |   |
| Device/Head   | obs                  | LBA | obs | DEV | Head number or LBA |   |   |   |
| Command       | 30h                  |     |     |     |                    |   |   |   |

Sector Count -

number of sectors to be transferred. A value of 00h indicates that 256 sectors are to be transferred.

Sector Number -

starting sector number or LBA address bits (7:0).

Cylinder Low -

starting cylinder number bits (7:0) or LBA address bits (15:8).

Cylinder High -

starting cylinder number bits (15:8) or LBA address bits (23:16).

Device/Head -

bit 6 set to one if LBA address, cleared to zero if CHS address.

DEV shall indicate the selected device.

bits (3:0) starting head number or LBA address bits (27:24).

**8.48.5 Normal outputs**

| Register      | 7   | 6    | 5   | 4   | 3   | 2  | 1  | 0   |
|---------------|-----|------|-----|-----|-----|----|----|-----|
| Error         | na  |      |     |     |     |    |    |     |
| Sector Count  | na  |      |     |     |     |    |    |     |
| Sector Number | na  |      |     |     |     |    |    |     |
| Cylinder Low  | na  |      |     |     |     |    |    |     |
| Cylinder High | na  |      |     |     |     |    |    |     |
| Device/Head   | obs | na   | obs | DEV | na  | na | na | na  |
| Status        | BSY | DRDY | DF  | na  | DRQ | na | na | ERR |

Device/Head register -

DEV shall indicate the selected device.

Status register -

BSY shall be cleared to zero indicating command completion.

DRDY shall be set to one.

DF (Device Fault) shall be cleared to zero.

DRQ shall be cleared to zero.

ERR shall be cleared to zero.

**8.48.6 Error outputs**

An unrecoverable error encountered during the execution of this command results in the termination of the command. The Command Block registers contain the address of the sector where the first unrecoverable error occurred. The amount of data transferred is indeterminate.

| Register      | 7                    | 6    | 5   | 4    | 3                  | 2    | 1  | 0   |
|---------------|----------------------|------|-----|------|--------------------|------|----|-----|
| Error         | na                   | WP   | MC  | IDNF | MCR                | ABRT | NM | na  |
| Sector Count  | na                   |      |     |      |                    |      |    |     |
| Sector Number | Sector number or LBA |      |     |      |                    |      |    |     |
| Cylinder Low  | Cylinder low or LBA  |      |     |      |                    |      |    |     |
| Cylinder High | Cylinder high or LBA |      |     |      |                    |      |    |     |
| Device/Head   | obs                  | na   | obs | DEV  | Head number or LBA |      |    |     |
| Status        | BSY                  | DRDY | DF  | na   | DRQ                | na   | na | ERR |

Error register -

WP shall be set to one if the media in a removable media device is write protected.

MC shall be set to one if the media in a removable media device changed since the issuance of the last command. The device shall clear the device internal media change detected state.

IDNF shall be set to one if a user-accessible address could not be found and after an unsuccessful INITIALIZE DEVICE PARAMETERS command until a valid CHS translation is established (see 8.16.8). IDNF shall be set to one if an address outside of the range of user-accessible addresses is requested if command aborted is not returned.

MCR shall be set to one if a media change request has been detected by a removable media device. This bit is only cleared by a GET MEDIA STATUS or a media access command.

ABRT shall be set to one if this command is not supported or if an error, including an ICRC error, has occurred during an Ultra DMA data transfer. ABRT may be set to one if the device is not able to complete the action requested by the command. ABRT shall be set to one if an address outside of the range of user-accessible addresses is requested if IDNF is not set to one.

NM shall be set to one if no media is present in a removable media device.

Sector Number, Cylinder Low, Cylinder High, Device/Head -

shall be written with the address of first unrecoverable error.

DEV shall indicate the selected device.



Status register -

BSY shall be cleared to zero indicating command completion.

DRDY shall be set to one.

DF (Device Fault) shall be set to one if a device fault has occurred.

DRQ shall be cleared to zero.

ERR shall be set to one if an Error register bit is set to one.

#### **8.48.7 Prerequisites**

DRDY set to one.

#### **8.48.8 Description**

This command writes from 1 to 256 sectors as specified in the Sector Count register. A sector count of 0 requests 256 sectors.

## **9 Protocol**

Commands are grouped into different classes according to the protocol followed for command execution. The command classes with their associated protocol are defined in state diagrams in this clause, one state diagram for host actions and a second state diagram for device actions. Figure 12 shows the overall relationship of the host protocol state diagrams. Figure 13 shows the overall relationship of the device protocol state diagrams. State diagrams defining these protocols are not normative descriptions of implementations, they are normative descriptions of externally apparent device or host behavior. Different implementations are allowed. See 3.2.7 for state diagram conventions.

A device shall not timeout any activity when waiting for a response from the host.

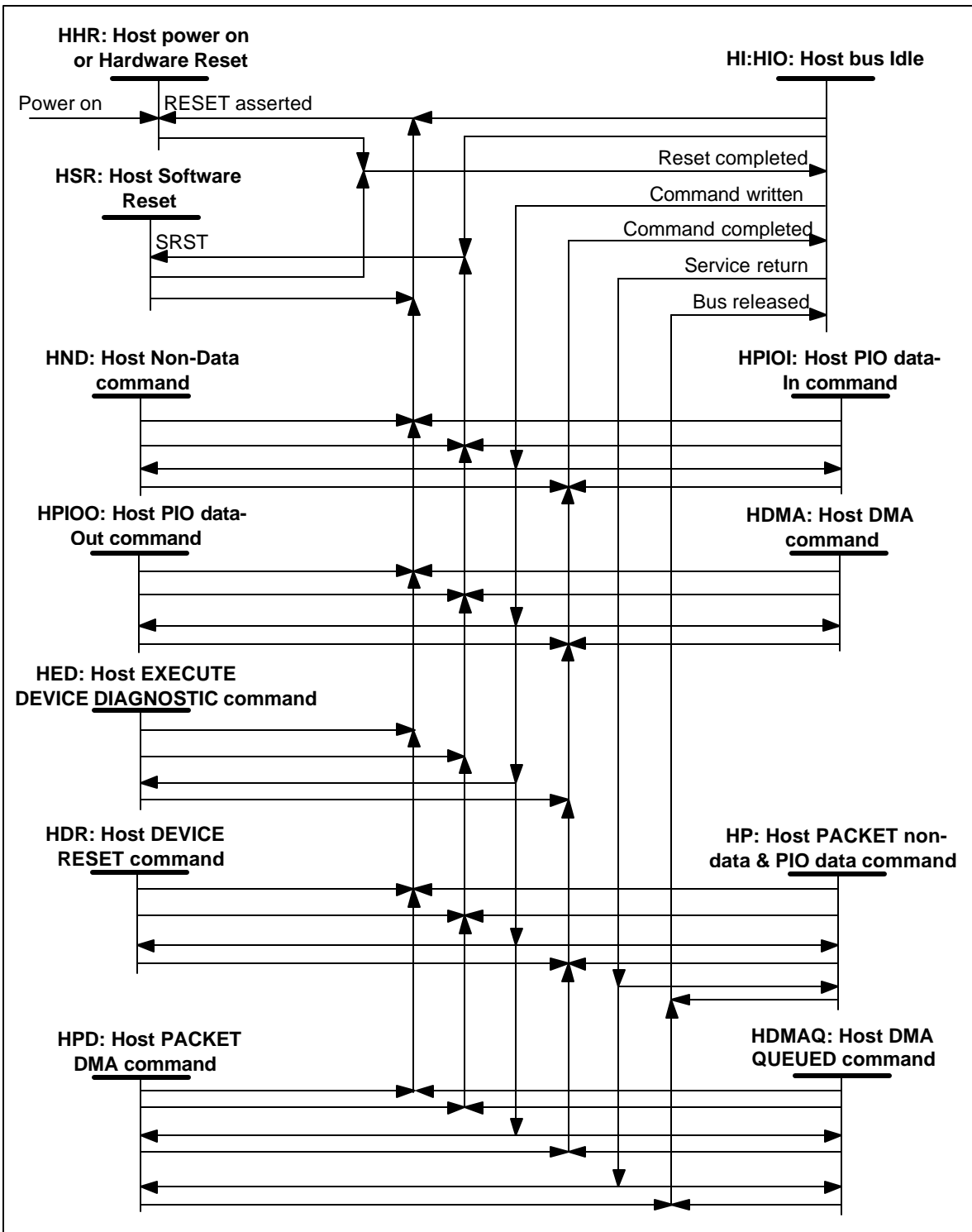


Figure 12 - Overall host protocol state sequence

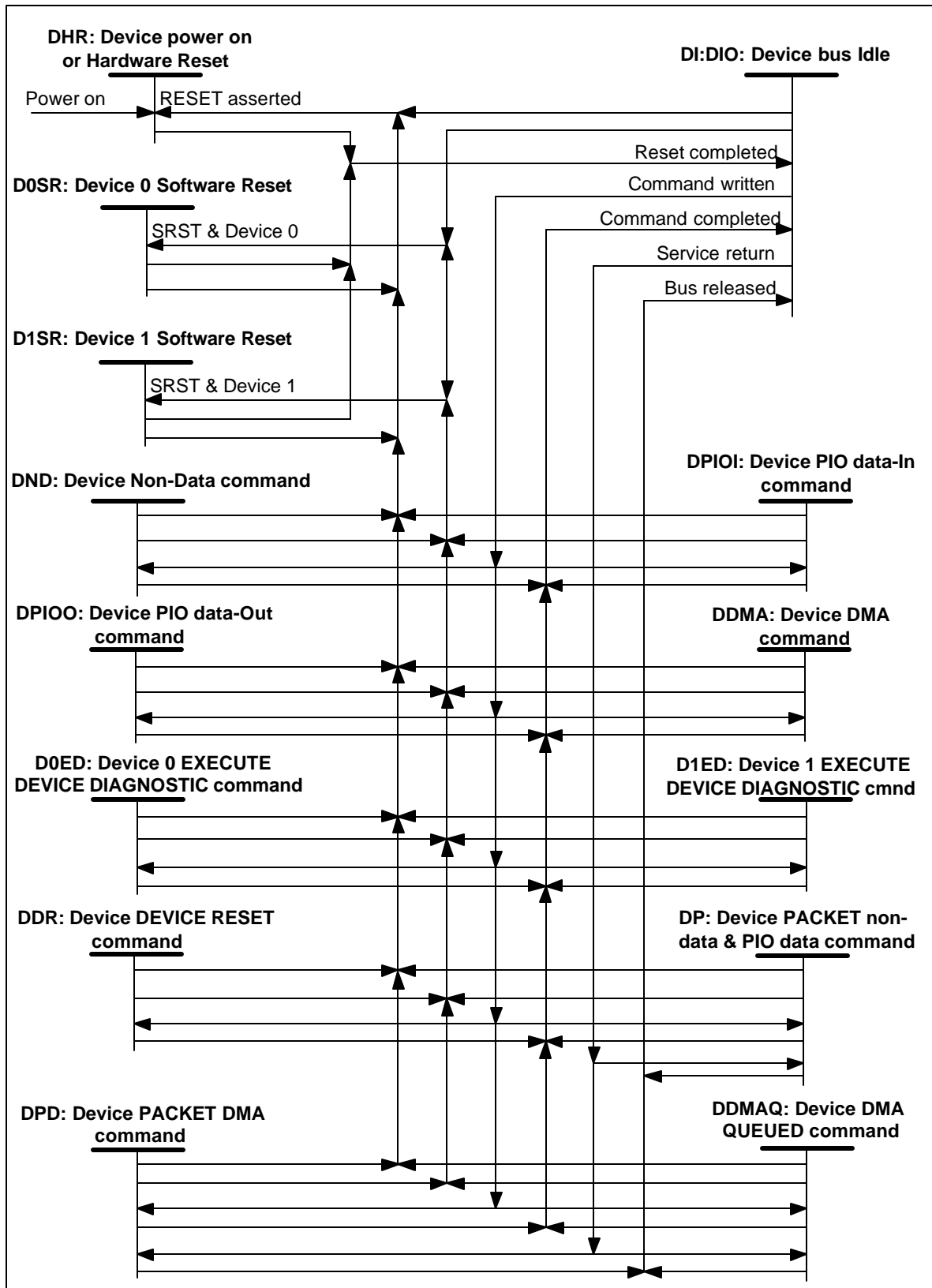


Figure 13 - Overall device protocol state sequence

## 9.1 Power-on and hardware reset protocol

This clause describes the protocol for processing of power-on and hardware resets.

If the host asserts RESET-, regardless of the power management mode, the device shall execute the hardware reset protocol. If the host reasserts RESET- before a device has completed the power-on or hardware reset protocol, then the device shall restart the protocol from the beginning.

The host should not set the SRST bit to one in the Device Control register or issue a DEVICE RESET command while the BSY bit is set to one in either device Status register as a result of executing the power-on or hardware reset protocol. If the host sets the SRST bit in the Device Control register to one or issues a DEVICE RESET command before devices have completed execution of the power-on or hardware reset protocol, then the devices shall ignore the software reset or DEVICE RESET command.

A host should issue an IDENTIFY DEVICE and/or IDENTIFY PACKET DEVICE command after the power-on or hardware reset protocol has completed to determine the current status of features implemented by the device(s).

Figure 14 and the text following the figure describes the power-on or hardware reset protocol for the host. Figure 15 and the text following the figure describes the power-on or hardware reset protocol for the devices.

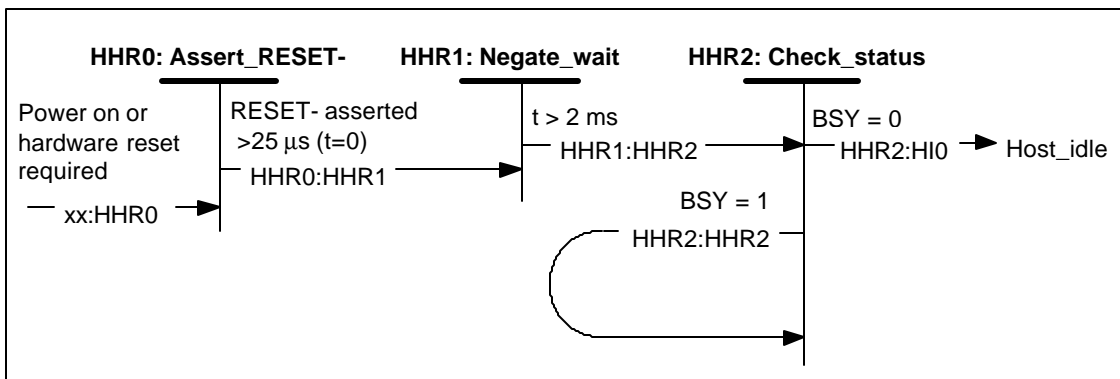


Figure 14 - Host power-on or hardware reset state diagram

**HHR0: Assert\_RESET- State:** This state is entered at power-on or when the host recognizes that a hardware reset is required.

When in this state, the host asserts RESET-. The host shall remain in this state with RESET- asserted for at least 25 μs.

**Transition HHR0:HHR1:** When the host has had RESET- asserted for at least 25 μs, the host shall make a transition to the HHR1: Negate\_wait state.

**HHR1: Negate\_wait State:** This state is entered when RESET- has been asserted for at least 25 μs.

When in this state, the host shall negate RESET-. The host shall remain in this state for at least 2 ms after negating RESET-. If the host tests CBLID- it shall do so at this time.

**Transition HHR1:HHR2:** When RESET- has been negated for at least 2 ms, the host shall make a transition to the HHR2: Check\_status state.

**HHR2: Check\_status State:** This state is entered when RESET- has been negated for at least 2 ms.

When in this state the host shall read the Status or Alternate Status register.

**Transition HHR2:HHR2:** When BSY is set to one, the host shall make a transition to the HHR2: Check\_status state.

**Transition HHR2:H10:** When BSY is cleared to zero, the host shall make a transition to the H10: Host\_idle state (see Figure 19). If status indicates that an error has occurred, the host shall take appropriate error recovery action.

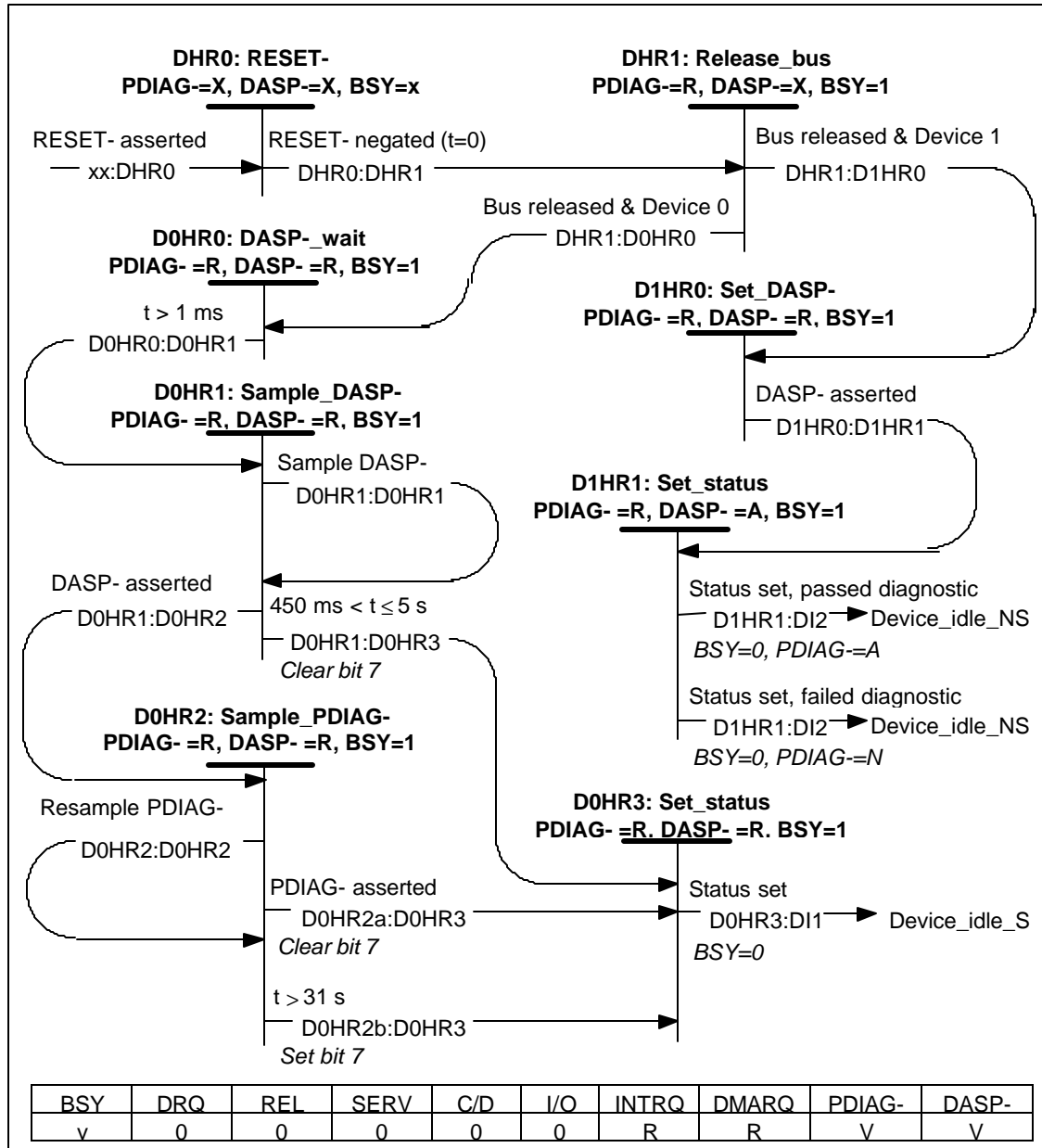


Figure 15 - Device power-on or hardware reset state diagram

**DHR0: RESET State:** This state is entered when a valid assertion of the RESET- signal is recognized. The device shall not recognize a RESET- assertion shorter than 20 ns as valid. Devices may recognize a RESET- assertion greater than 20 ns as valid and shall recognize a RESET- assertion equal to or greater than 25 μs as valid.

**Transition DHR0:DHR1:** When a valid RESET- signal is negated, the device shall make a transition to the DHR1: Release\_Bus state.

**DHR1: Release\_bus State:** This state is entered when a valid RESET- signal is negated.

When in this state, the device shall release bus signals PDIAG-, INTRQ, IORDY, DMARQ, and DD(15:0) and shall set BSY to one within 400 ns after entering this state. The device shall determine if the device is Device 0 or Device 1 by checking the jumper, switch, or CSEL.

**Transition DHR1:D0HR0:** When the device has determined that the device is Device 0, has released the bus signals, and has set BSY to one, then the device shall make a transition to the D0HR0: DASP-\_wait state.

**Transition DHR1:D1HR0:** When the device has determined that the device is Device 1, has released the bus signals, and has set BSY to one, then the device shall make a transition to the D1HR0: Set\_DASP- state.

**D0HR0: DASP-\_wait State:** This state is entered when the device has released the bus signals, set BSY to one, and determined that the device is Device 0.

When in this state, the device shall release DASP- within 1 ms of the negation of RESET-.

**Transition D0HR0:D0HR1:** When at least 1 ms has elapsed since the negation of RESET-, the device shall make a transition to the D0HR1: Sample\_DASP- state.

**D0HR1: Sample\_DASP- State:** This state is entered when at least 1 ms has elapsed since the negation of RESET-.

When in this state, the device should begin performing the hardware initialization and self-diagnostic testing. This may revert the device to the default condition (the device's settings may now be different than they were before the host asserted RESET-). All Ultra DMA modes shall be disabled.

When in this state, the device shall sample the DASP- signal.

**Transition D0HR1:D0HR2:** When the sample indicates that DASP- is asserted, the device shall make a transition to the D0HR2: Sample\_PDIAG- state.

**Transition D0HR1:D0HR1:** When the sample indicates that DASP- is negated and less than 450 ms have elapsed since the negation of RESET-, then the device shall make a transition to the D0HR1: Sample\_DASP-state. When the sample indicates that DASP- is negated and greater than 450 ms but less than 5 s have elapsed since the negation of RESET-, then the device may make a transition to the D0HR1: Sample\_DASP-state.

**Transition D0HR1:D0HR3:** When the sample indicates that DASP- is negated and 5 s have elapsed since the negation of RESET-, then the device shall clear bit 7 in the Error register and make a transition to the D0HR3: Set\_status state. When the sample indicates that DASP- is negated and greater than 450 ms but less than 5 s have elapsed since the negation of RESET-, then the device may clear bit 7 in the Error register and make a transition to the D0HR3: Set\_status state.

**D0HR2: Sample\_PDIAG- State:** This state is entered when the device has recognized that DASP- is asserted.

When in this state, the device shall sample the PDIAG- signal.

**Transition D0HR2a:D0HR3:** When the sample indicates that PDIAG- is asserted, the device shall clear bit 7 in the Error register and make a transition to the D0HR3: Set\_status state.

**Transition D0HR2b:D0HR3:** When the sample indicates that PDIAG- is not asserted and 31 s have elapsed since the negation of RESET-, then the device shall set bit 7 in the Error register and make a transition to the D0HR3: Set\_state state.

**Transition D0HR2:D0HR2:** When the sample indicates that PDIAG- is not asserted and less than 31 s have elapsed since the negation of RESET-, then the device shall make a transition to the D0HR2: Sample\_PDIAG-state.

**D0HR3: Set\_status State:** This state is entered when Bit 7 in the Error register has been set or cleared.

When in this state the device shall complete the hardware initialization and self-diagnostic testing begun in the Sample DASP- state if not already completed.

The diagnostic code shall be placed in bits 6-0 of the Error register (see Table 19). The device shall set the signature values (see 9.12). The device shall clear the SRST bit to zero in the Device Control register if set set to one. The content of the Features register is undefined. The device shall set word 93 in the IDENTIFY DEVICE or IDENTIFY PACKET DEVICE response (see 8.12.52).

If the device does not implement the PACKET command feature set, the device shall clear bits 3, 2, and 0 in the Status register to zero.

If the device implements the PACKET command feature set, the device shall clear bits 6, 5, 4, 3, 2, and 0 in the Status register to zero. The device shall return the operating modes to their specified initial conditions. MODE SELECT conditions shall be restored to their last saved values if saved values have been established. MODE SELECT conditions for which no values have been saved shall be returned to their default values.

**Transition D0HR3:D1:** When hardware initialization and self-diagnostic testing is completed and the status has been set, the device shall clear BSY to zero and make a transition to the D1: Device\_idle\_S state (see Figure 21).

**D1HR0: Set\_DASP- State:** This state is entered when the device has released the bus, set BSY to one, and determined that the device is Device 1.

When in this state, the device shall release PDIAG- within 1 ms and assert DASP- within 400 ms of the negation of RESET-.

When in this state, the device should begin execution of the hardware initialization and self-diagnostic testing. The device may revert to the default condition (the device's settings may now be in different conditions than they were before RESET- was asserted by the host). All Ultra DMA modes shall be disabled.

**Transition D1HR0:D1HR1:** When DASP- has been asserted, the device shall make a transition to the D1HR1: Set\_status state.

**D1HR1: Set\_status State:** This state is entered when the device has asserted DASP-.

When in this state the device shall complete any hardware initialization and self-diagnostic testing begun in the Set DASP- state if not already completed. The diagnostic code shall be placed in the Error register (see Table 19). If the device passed self-diagnostics, the device shall assert PDIAG-. The device shall set word 93 in the IDENTIFY DEVICE or IDENTIFY PACKET DEVICE response (see 8.12.52).

All actions required in this state shall be completed in  $\leq 30$  s.

The device shall set the signature values (see 9.12). The content of the Features register is undefined. The device shall clear the SRST bit to zero in the Device Control register if set set to one.

If the device does not implement the PACKET command feature set, the device shall clear bits 3, 2, and 0 in the Status register to zero.

If the device implements the PACKET command feature set, the device shall clear bits 6, 5, 4, 3, 2, and 0 in the Status register to zero. The device shall return the operating modes to their specified initial conditions. MODE SELECT conditions shall be restored to their last saved values if saved values have been established. MODE SELECT conditions for which no values have been saved shall be returned to their default values.

**Transition D1HR1a:DI2:** When hardware initialization and self-diagnostic testing is completed, the device passed its diagnostics, and the status has been set, the device shall clear BSY to zero, assert PDIAG-, and make a transition to the DI2: Device\_idle\_NS state (see Figure 21).

**Transition D1HR1b:DI2:** When hardware initialization and self-diagnostic testing is completed, the device failed its diagnostic, and the status has been set, the device shall clear BSY to zero, negate PGIAG-, and make a transition to the DI2: Device\_idle\_NS state (see Figure 21).

## 9.2 Software reset protocol

This clause describes the protocol for processing of software reset when the host sets SRST.

If the host sets SRST in the Device Control register to one regardless of the power management mode, the device shall execute the software reset protocol. If the host asserts RESET- before a device has completed the software reset protocol, then the device shall execute the hardware reset protocol from the beginning.

The host should not set the SRST bit to one in the Device Control while the BSY bit is set to one in either device Status register as a result of executing the software reset protocol. If the host sets the SRST bit in the Device Control register to one before devices have completed execution of the software reset protocol, then the devices shall restart execution of the software reset protocol from the beginning. If the host issues a DEVICE RESET command before devices have completed execution of the software reset protocol, the command shall be ignored.

A host should issue an IDENTIFY DEVICE and/or IDENTIFY PACKET DEVICE command after the software reset protocol has completed to determine the current status of features implemented by the device(s).

Figure 16 and the text following the figure describe the software reset protocol for the host. Figure 17 and the text following the figure describes the software reset protocol for Device 0. Figure 18 and the text following the figure describes the software reset protocol for Device 1.

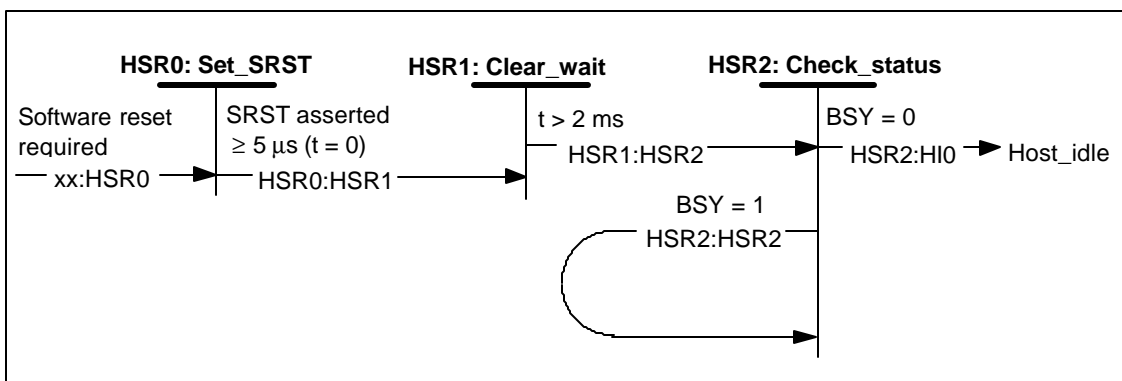


Figure 16 - Host software reset state diagram

**HSR0: Set\_SRST State:** This state is entered when the host initiates a software reset.

When in this state, the host shall set SRST in the Device Control register to one. The SRST bit shall be written to both devices when the Device Control register is written. The host shall remain in this state with SRST set to



one for at least 5  $\mu$ s. The host shall not set SRST to one unless the bit has been cleared to zero for at least 5  $\mu$ s.

**Transition HSR0:HSR1:** When the host has had SRST set to one for at least 5  $\mu$ s, the host shall make a transition to the HSR1: Clear\_wait state.

**HSR1: Clear\_wait State:** This state is entered when SRST has been set to one for at least 5  $\mu$ s.

When in this state, the host shall clear SRST in the Device Control register to zero. The host shall remain in this state for at least 2 ms.

**Transition HSR1:HSR2:** When SRST has been cleared to zero for at least 2 ms, the host shall make a transition to the HSR2: Check\_status state.

**HSR2: Check\_status State:** This state is entered when SRST has been cleared to zero for at least 2 ms.

When in this state the host shall read the Status or Alternate Status register.

**Transition HSR2:HSR2:** When BSY is set to one, the host shall make a transition to the HSR2: Check\_status state.

**Transition HSR2:HI0:** When BSY is cleared to zero, the host shall check the ending status in the Error register and the signature (see 9.12) and make a transition to the HI0: Host\_idle state (see Figure 19).

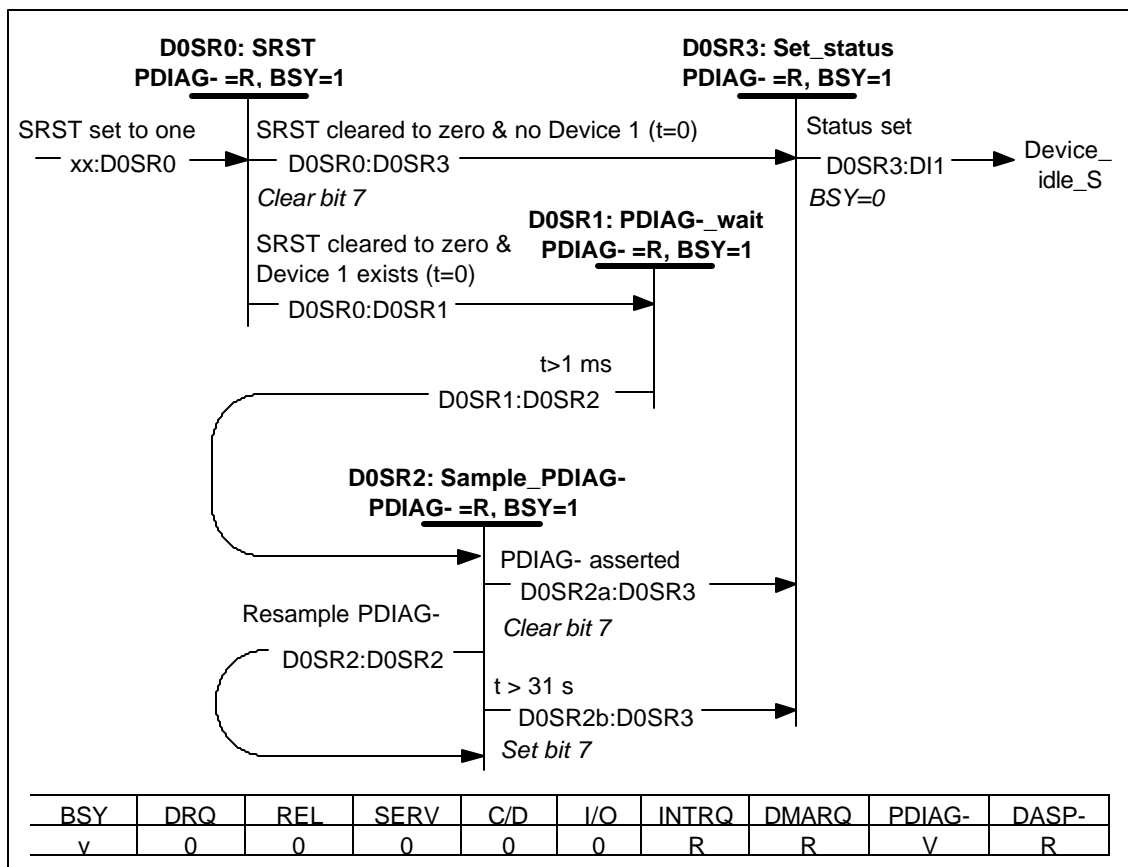


Figure 17 - Device 0 software reset state diagram

**D0SR0: SRST State:** This state is entered by Device 0 when the SRST bit is set to one in the Device Control register.

When in this state, the device shall release PDIAG-, INTRQ, IORDY, DMARQ, and DD(15:0) within 400 ns after entering this state. The device shall set BSY to one within 400 ns after entering this state.

If the device does not implement the PACKET command feature set, the device should begin performing the hardware initialization and self-diagnostic testing. The device may revert to the default condition (the device's setting may now be in different conditions than they were before the SRST bit was set to one by the host). However, an Ultra DMA mode setting (either enabled or disabled) shall not be affected by the host setting SRST to one.

If the PACKET command feature set is implemented, the device may begin performing the hardware initialization and self-diagnostic testing and the device is not expected to stop any background device activity (e.g., immediate command, see MMC or MMC-2) that was started prior to the time that SRST was set to one. The device shall not revert to the default condition and an Ultra DMA mode setting (either enabled or disabled) shall not be affected by the host setting SRST to one.

**Transition D0SR0:D0SR1:** When SRST is cleared to zero and the assertion of DASP- by Device 1 was detected during the most recent power-on or hardware reset, the device shall make a transition to the D0SR1: PDIAG-\_wait state.

**Transition D0SR0:D0SR3:** When SRST is cleared to zero and the assertion of DASP- by Device 1 was not detected during the most recent power-on or hardware reset, the device shall clear bit 7 to zero in the Error register and make a transition to the D0SR3: Set\_status state.

**D0SR1: PDIAG-\_wait State:** This state is entered when SRST has been cleared to zero and Device 1 is present.

The device shall remain in this state for at least 1 ms.

**Transition D0SR1:D0SR2:** When at least 1 ms has elapsed since SRST was cleared to zero, the device shall make a transition to the D0SR2: Sample\_PDIAG- state.

**D0SR2: Sample\_PDIAG- State:** This state is entered when SRST has been cleared to zero for at least 1 ms.

When in this state, the device shall sample the PDIAG- signal.

**Transition D0SR2:D0SR2:** When the sample indicates that PDIAG- is not asserted and less than 31 s have elapsed since SRST was cleared to zero, then the device shall make a transition to the D0SR2: Sample\_PDIAG- state.

**Transition D0SR2a:D0SR3:** When the sample indicates that PDIAG- is asserted, the device device shall clear bit 7 to zero in the Error register and shall make a transition to the D0SR3: Set\_status state.

**Transition D0SR2b:D0SR3:** When the sample indicates that PDIAG- is not asserted and 31 s have elapsed since SRST was cleared to zero, the device shall set bit 7 to one in the Error register and shall make a transition to the D0SR3: Set\_status state.

**D0SR3: Set\_status State:** This state is entered when Bit 7 in the Error register has been set or cleared.

When in this state the device shall complete any hardware initialization and self-diagnostic testing begun in the SRST state if not already completed.

All actions required in this state shall be completed within 31 s.

The diagnostic code shall be placed in bits 6-0 of the Error register (see Table 19). The device shall set the signature values (see 9.12). The content of the Features register is undefined.

If the device does not implement the PACKET command feature set, the device shall clear bits 3, 2, and 0 in the Status register to zero.

If the device implements the PACKET command feature set, the device shall clear bits 6, 5, 4, 3, 2, and 0 in the Status register to zero. The device shall return the operating modes to their specified initial conditions. MODE SELECT conditions shall be restored to their last saved values if saved values have been established. MODE SELECT conditions for which no values have been saved shall be returned to their default values.

**Transition D0SR3:DI1:** When hardware initialization and self-diagnostic testing is completed and the status has been set, the device shall clear BSY to zero and make a transition to the DI1: Device\_idle\_S state (see Figure 21).

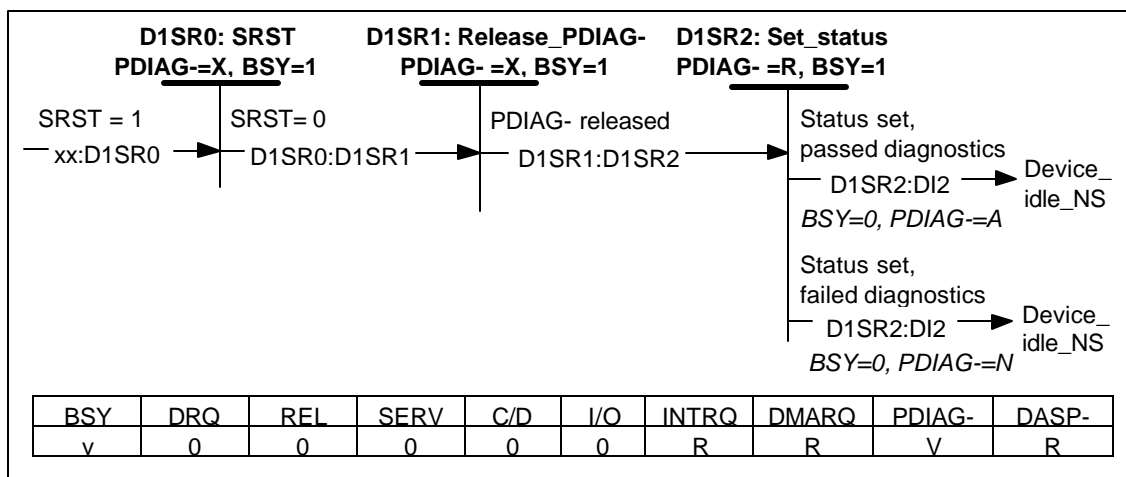


Figure 18 - Device 1 software reset state diagram

**D1SR0: SRST State:** This state is entered by Device 1 when the SRST bit is set to one in the Device Control register.

When in this state, the device shall release INTRQ, IORDY, DMARQ, and DD(15:0) within 400 ns after entering this state. The device shall set BSY to one within 400 ns after entering this state.

If the device does not implement the PACKET command feature set, the device shall begin performing the hardware initialization and self-diagnostic testing. The device may revert to the default condition (the device's setting may now be in different conditions than they were before the SRST bit was set to one by the host). However, an Ultra DMA mode setting (either enabled or disabled) shall not be affected by the host setting SRST to one.

If the PACKET command feature set is implemented, the device may begin performing the hardware initialization and self-diagnostic testing and the device is not expected to stop any background device activity (e.g., immediate command, see MMC and MMC-2) that was started prior to the time that SRST was set to one. The device shall not revert to the default condition and an Ultra DMA mode setting (either enabled or disabled) shall not be affected by the host setting SRST to one.

**Transition D1SR0:D1SR1:** When SRST is cleared to zero, the device shall make a transition to the D1SR1: Release\_PDIAG- state.

**D1SR1: Release\_PDIAG- State:** This state is entered when SRST is cleared to zero.

When in this state, the device shall release PDIAG- within 1 ms of entering this state.

**Transition D1SR1:D1SR2:** When PDIAG- has been released, the device shall make a transition to the D1SR2: Set\_status state.

**D1SR2: Set\_status State:** This state is entered when the device has negated PDIAG-.

When in this state the device shall complete the hardware initialization and self-diagnostic testing begun in the SRST state if not already completed. The diagnostic code shall be placed in the Error register (see Table 19). If the device passed the self-diagnostics, the device shall assert PDIAG-.

All actions required in this state shall be completed within 30 s.

The device shall set the signature values (see 9.12). The contents of the Features register is undefined.

If the device does not implement the PACKET command feature set, the device shall clear bits 3, 2, and 0 in the Status register to zero.

If the device implements the PACKET command feature set, the device shall clear bits 6, 5, 4, 3, 2, and 0 in the Status register to zero. The device shall return the operating modes to their specified initial conditions. MODE SELECT conditions shall be restored to their last saved values if saved values have been established. MODE SELECT conditions for which no values have been saved shall be returned to their default values.

**Transition D1SR2:DI2:** When hardware initialization and self-diagnostic testing is completed and the status has been set, the device shall clear BSY to zero, assert PDIAG- if it passed its diagnostics, and make a transition to the DI2: Device\_idle\_NS state (see Figure 21).

### 9.3 Bus idle protocol

When the selected device has BSY cleared to zero and DRQ cleared to zero the bus is idle.

If command overlap is implemented and enabled, the host may be waiting for a service request for a released command. In this case, the device is preparing for the data transfer for the released command.

If command overlap and command queuing are implemented and enabled, the host may be waiting for a service request for a number of released commands. In this case, the device is preparing for the data transfer for one of the released commands.

Figure 19 and the text following the figure describe the host state during bus idle for hosts not implementing command overlap and queuing. Figure 20 and the text following the figure describes the additional host state during bus idle required for command overlap and queuing. Figure 21 and the text following the figure describe the device state during bus idle for devices not implementing command overlap and queuing. Figure 22 and the text following the figure describe the additional device state during bus idle required for command overlap and queuing.

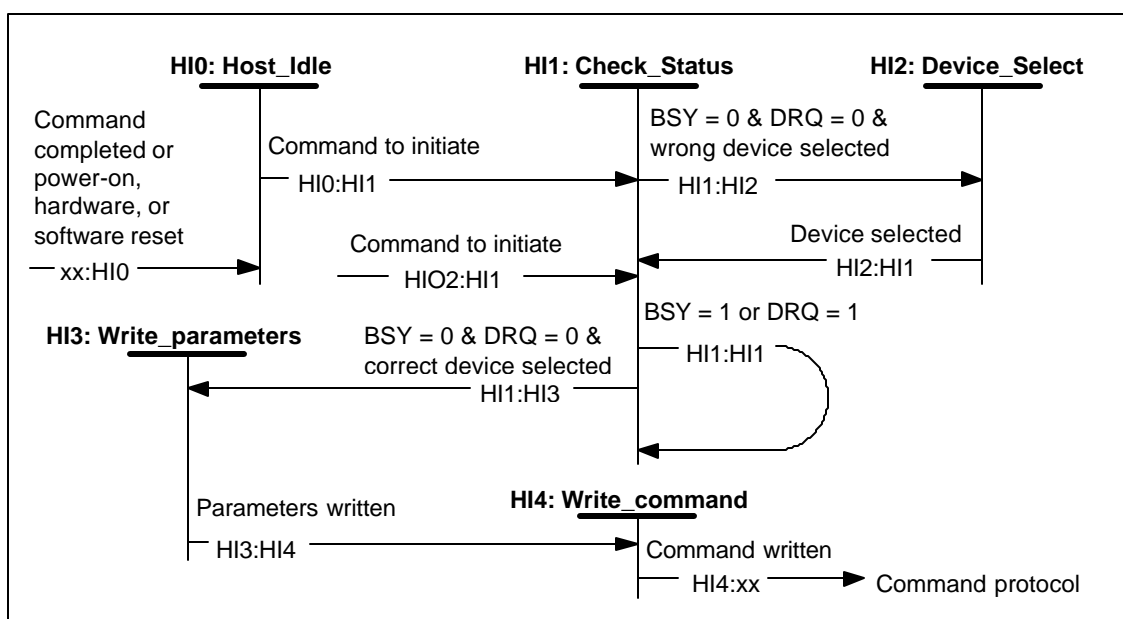


Figure 19 - Host bus idle state diagram

**HI0: Host\_Idle State:** This state is entered when a device completes a command or when a power-on, hardware, or software reset has occurred.

When in this state, the host waits for a command to be issued to a device.

**Transition HI0:HI1:** When the host has a command to issue to a device, the host shall make a transition to the HI1: Check\_Status state.

**HI1: Check\_Status State:** This state is entered when the host has a command to issue to a device.

When in this state, the host reads the device Status or Alternate Status register.

**Transition HI1:HI2:** When the status read indicates that both BSY and DRQ are cleared to zero but the wrong device is selected, then the host shall make a transition to the HI2: Device\_Select state.

**Transition HI1:HI1:** When the status read indicates that either BSY or DRQ is set to one, the host shall make a transition to the HI1: Check\_Status state to recheck the status of the selected device.

**Transition HI1:HI3:** When the status read indicates that both BSY and DRQ are cleared to zero and the correct device is selected, then the host shall make a transition to the HI3: Write\_Parameters state.

**HI2: Device\_Select State:** This state is entered when the wrong device is selected for issuing a new command.

When in this state, the host shall write to the Device/Head register to select the correct device.

**Transition HI2:HI1:** When the Device/Head register has been written to select the correct device, then the host shall make a transition to the HI1: Check\_Status state.

**HI3: Write\_Parameters State:** This state is entered when the host has determined that the correct device is selected and both BSY and DRQ are cleared to zero.

When in this state, the host writes all required command parameters to the device Command Block registers (see clause 8).

**Transition HI3:HI4:** When all required command parameters have been written to the device Command Block registers, the host shall make a transition to the HI4: Write\_Command state.

**HI4: Write\_Command State:** This state is entered when the host has written all required command parameters to the device Command Block registers.

When in this state, the host writes the command to the device Command register.

**Transition HI4:xx:** When the host has written the command to the device Command register, the host shall make a transition to the command protocol for the command written.

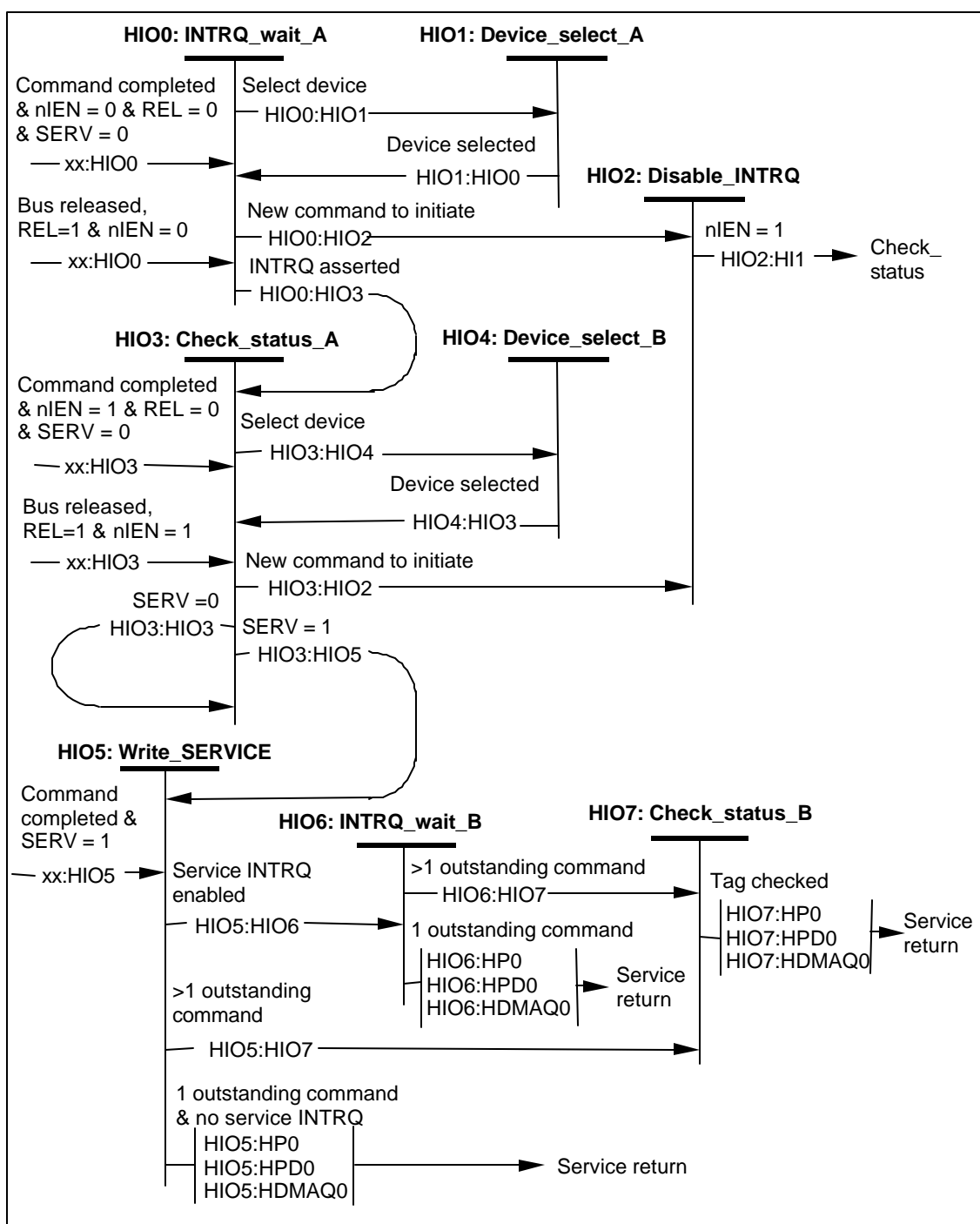


Figure 20 - Additional Host bus Idle state diagram with Overlap or overlap and queuing

**HIO0: INTRQ\_wait\_A State:** This state is entered when a command has completed with nIEN cleared to zero, REL set to one, and SERV cleared to zero. This state is entered when the device has released the bus with nIEN cleared to zero. This state is entered when the host is waiting for INTRQ to be asserted for bus released commands.

When in this state, the host waits for INTRQ to be asserted indicating that a device is ready to resume execution of a bus released command.

**Transition HIO0:HIO1:** When the host has one or more commands outstanding to both devices, the host may make a transition to the HIO1: Device\_select\_A state to sample INTRQ for the other device.

**Transition HIO0:HIO2:** When the host has a new command to issue to a device and that device has no command released or supports command queuing, then the host shall make a transition to the HIO2: Disable\_INTRQ state.

**Transition HIO0:HIO3:** When the host detects INTRQ asserted, the host shall make a transition to the HIO3: Check\_status A state.

**HIO1: Device\_select\_A State:** This state is entered when the host has outstanding, bus released commands to both devices and nIEN is cleared to zero.

When in this state, the host shall disable INTRQ by setting nIEN to one, shall write the Device/Head register to select the other device, and then, shall enable INTRQ by clearing nIEN to zero.

**Transition HIO1:HIO0:** Having selected the other device, the host shall make a transition to the HIO0: INTRQ\_wait\_A state.

**HIO2: Disable\_INTRQ State:** This state is entered when the host has a new command to issue to a device and that device has no outstanding, bus released command or supports command queuing.

When in this state, the host shall set nIEN to one.

**Transition HIO2:HI1:** When nIEN has been set to one, the host shall make a transition to the HI1: Check\_status state (see Figure 19).

**HIO3: Check\_status\_A State:** This state is entered when a command is completed with nIEN set to one, REL set to one, and SERV cleared to zero. This state is entered when the device has released the bus and nIEN is set to one. This state is entered when an interrupt has occurred indicating that a device is requesting service.

When in this state, the host shall read the Status register of the device requesting service.

**Transition HIO3:HIO4:** If SERV is cleared to zero and the host has released commands outstanding to both devices, then the host may make a transition to the HIO4: Device\_select\_B state.

**Transition HIO3:HIO2:** If SERV is cleared to zero and the host has a new command to issue to a device, then the host shall make a transition to the HIO2: Disable\_INTRQ state.

**Transition HIO3:HIO3:** If SERV is cleared to zero and the host has no new command to issue, then the host shall make a transition to the HIO3: Check\_status state.

**Transition HIO3:HIO5:** If SERV is set to one, the host shall make a transition to the HIO5: Write\_SERVICE state.

**HIO4: Device\_select\_B State:** This state is entered when the host has outstanding, bus released commands to both devices and nIEN is set to one.

When in this state, the host shall disable INTRQ by setting nIEN to one, shall write the Device/Head register to select the other device, and then, shall enable INTRQ by clearing nIEN to zero.

**Transition HIO4:HIO3:** Having selected the other device, the host shall make a transition to the HIO3: Check\_status\_A state.

**HIO5: Write\_SERVICE State:** This state is entered when a device has set SERV to one indicating that the device requests service. This state is entered when a command has completed with SERV set to one.



When in this state, the host shall write the **SERVICE** command to the Command register.

**Transition HIO5:HIO6:** When the device is one that implements the **PACKET** command feature set and the Service interrupt is enabled, then the host shall make a transition to the **HIO6: INTRQ\_wait\_B** state.

**Transition HIO5:HIO7:** When the host has more than one released command outstanding to the device and the Service interrupt is disabled, the host shall make a transition to the **HIO7: Check\_status\_B** state.

**Transition HIO5:xx:** When the Service interrupt is disabled and the host has only one released command outstanding to the device, the host shall make a transition to the service return for the protocol for the command outstanding (see Figure 31, Figure 33, or Figure 35).

**HIO6: INTRQ\_wait\_B State:** This state is entered when the **SERVICE** command has been written to a device implementing the **PACKET** command feature set and the Service interrupt is enabled.

NOTE – **READ DMA QUEUED** and **WRITE DMA QUEUED** commands do not implement the Service interrupt.

When in this state, the host waits for the assertion of **INTRQ**.

**Transition HIO6:HIO7:** When the host has more than one released command outstanding to the device and **INTRQ** is asserted, the host shall make a transition to the **HIO7: Check\_status\_B** state.

**Transition HIO6:xx:** When **INTRQ** has been asserted and the host has only one released command outstanding to the device, then the host shall make a transition to the service return for the protocol for the command outstanding (see Figure 31, Figure 33, or Figure 35).

**HIO7: Check\_status\_B State:** This state is entered when the **SERVICE** command has been written and the host has more than one released command outstanding to the device.

When in this state the host reads the command tag to determine which outstanding command service is requested for. If a DMA data transfer is required for the command, the host shall set up the DMA engine.

**Transition HIO7:xx:** When the command for which service is requested has been determined, the host shall make a transition to the service return for that command protocol (see Figure 31, Figure 33, or Figure 35).

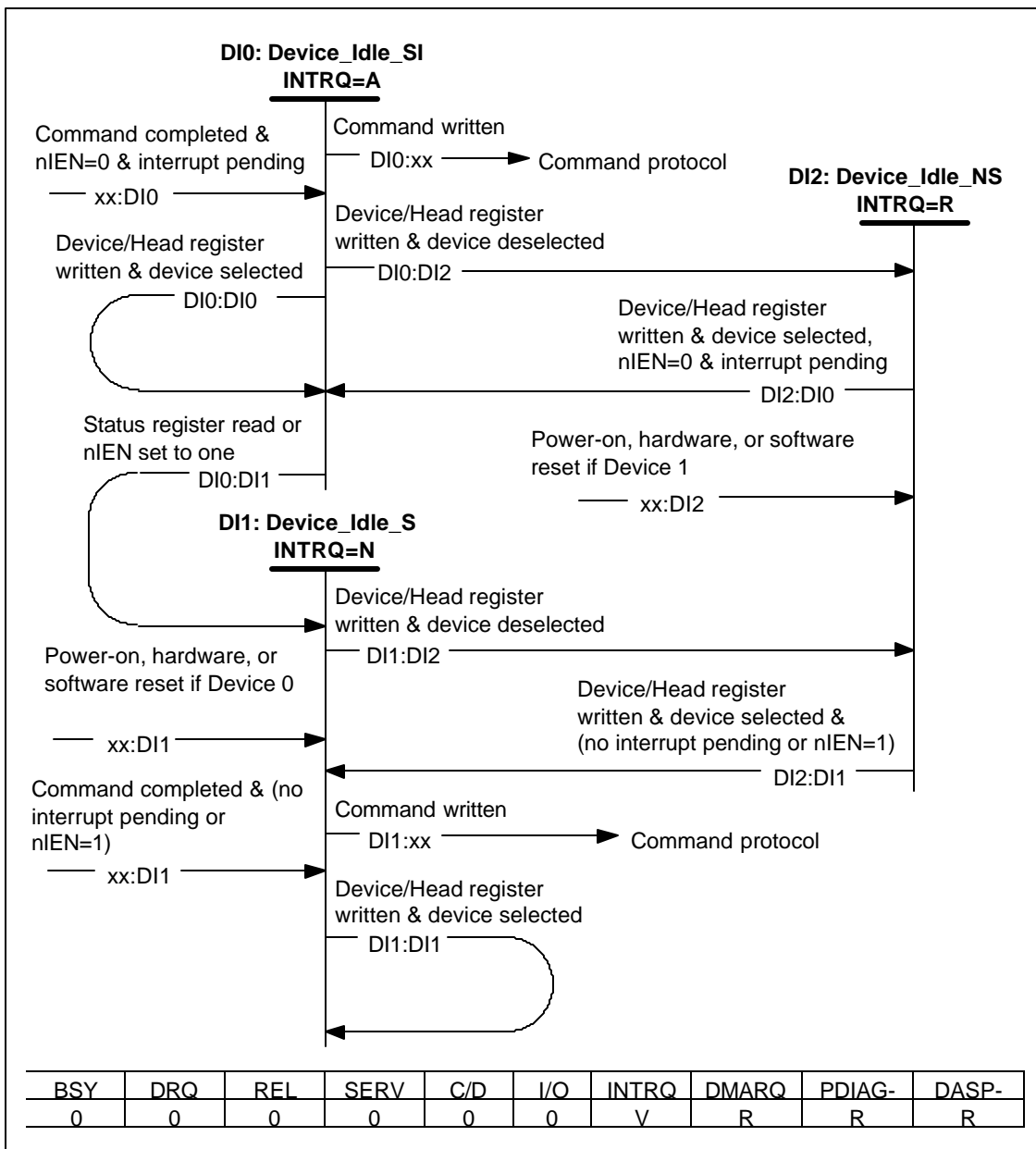


Figure 21 - Device bus Idle state diagram

**DI0: Device\_Idle\_SI State (selected/INTRQ asserted):** This state is entered when the device has completed the execution of a command protocol with interrupt pending and nIEN=0.

When in this state, the device shall have DRQ cleared to zero, INTRQ asserted, and BSY cleared to zero. Reading any register except the Status register shall have no effect.

**Transition DI0:xx:** If the Command register is written, the device shall clear the device internal interrupt pending, shall negate or release INTRQ within 400 ns of the negation of DIOW-, shall release PDIAG- if asserted, and shall make a transition to the command protocol indicated by the content of the Command register. The host should not write to the Command register at this time.

**Transition DI0:DI1:** When the Status register is read, the device shall clear the device internal interrupt pending, negate or release INTRQ within 400 ns of the negation of DIOR-, and make a transition to the DI1: Device\_Idle\_S state. When nIEN is set to one in the Device Control register, the device shall negate INTRQ and make a transition to the DI1: Device\_Idle\_S state.

**Transition DI0:DI0:** When the Device/Head register is written and the DEV bit selects this device or any other register except the Command register is written, the device shall make a transition to the DI0: Device\_Idle\_SI state.

**Transition DI0:DI2:** When the Device/Head register is written and the DEV bit selects the other device, then the device shall release INTRQ within 400 ns of the negation of DIOW-, and make a transition to the DI2: Device\_Idle\_NS state.

**DI1: Device\_Idle\_S State (selected/INTRQ negated):** This state is entered when the device has completed the execution of a command protocol with no interrupt pending or nIEN=1, or when a pending interrupt is cleared. This state is also entered by Device 0 at the completion of a power-on, hardware, or software reset.

When in this state, the device shall have BSY and DRQ cleared to zero and INTRQ negated or released.

When entering this state from a power-on, hardware, or software reset, if the device does not implement the PACKET command feature set, the device shall set DRDY to one within 30 s of entering this state. When entering this state from a power-on, hardware, or software reset, if the device does implement the PACKET command feature set, the device shall not set DRDY to one.

**Transition DI1:xx:** When the Command register is written, the device shall exit the interrupt pending state, release PDIAG- if asserted and make a transition to the command protocol indicated by the content of the Command register.

**Transition DI1:DI1:** When the Device/Head register is written and the DEV bit selects this device or any register is written except the Command register, the device shall make a transition to the DI1: Device\_Idle\_S state.

**Transition DI1:DI2:** When the Device/Head register is written and the DEV bit selects the other device, the device shall make a transition to the DI2: Device\_Idle\_NS state.

**DI2: Device\_Idle\_NS State (not selected):** This state is entered when the device is deselected. This state is also entered by Device 1 at the completion of a power-on, hardware, or software reset.

When in this state, the device shall have BSY and DRQ cleared to zero and INTRQ shall be released.

When entering this state from a power-on, hardware, or software reset, if the device does not implement the PACKET command feature set, the device shall set DRDY to one within 30 s of entering this state. When entering this state from a power-on, hardware, or software reset, if the device does implement the PACKET command feature set, the device shall not set DRDY to one.

**Transition DI2:DI0:** When the Device/Head register is written, the DEV bit selects this device, the device has an interrupt pending, and nIEN is cleared to zero, then the device shall assert INTRQ within 400 ns of the negation of DIOW- and make a transition to the DI0: Device\_Idle\_SI state.

**Transition DI2:DI1:** When the Device/Head register is written, the DEV bit selects this device, and the device has no interrupt pending or nIEN is set to one, then the device shall make a transition to the DI1: Device\_Idle\_S state.

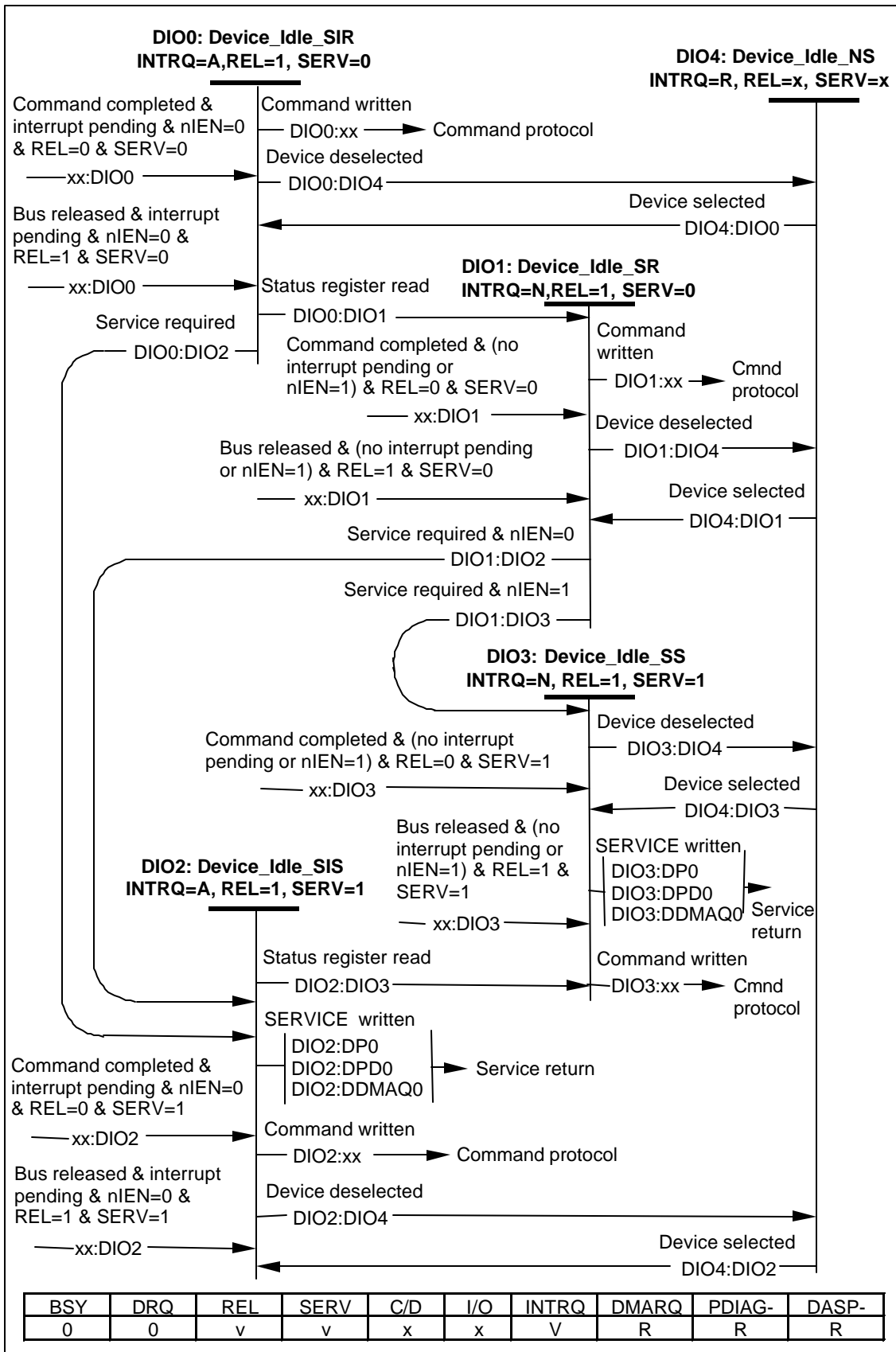


Figure 22 - Additional Device bus Idle state diagram with Overlap or overlap and queuing

**DIO0: Device\_Idle\_SIR State** (selected/INTRQ asserted/REL set to one): This state is entered when the device has completed the execution of a command protocol with interrupt pending, nIEN=0, REL set to one, and SERV cleared to zero. This state is entered when the device has released an overlapped command with interrupt pending, nIEN=0, REL set to one, and SERV cleared to zero.

When in this state, the device is preparing for completion of a released command. The device shall have BSY and DRQ cleared to zero, and INTRQ asserted.

**Transition DIO0:xx:** When the Command register is written, the device shall clear the interrupt pending, shall negate or release INTRQ within 400 ns of the negation of DIOW-, and shall make a transition to the command protocol indicated by the content of the Command register.

NOTE – Since a queue exists, only commands in the queued command set may be written to the Command register. If any other command is written to the Command register, the queue is aborted and command aborted is returned for the command (see 6.9).

**Transition DIO0:DIO1:** When the Status register is read, the device shall clear the interrupt pending, negate or release INTRQ within 400 ns of the negation of DIOR-, and make a transition to the DIO1: Device\_Idle\_SR state.

**Transition DIO0:DIO2:** When the Device/Head register is written and the DEV bit selects the other device, then the device shall release INTRQ within 400 ns of the negation of DIOW- and make a transition to the DIO2: Device\_Idle\_NS state.

**Transition DIO0:DIO2:** When the device is ready to continue the execution of a released command, the device shall make a transition to the DIO2: Device\_idle\_SIS state.

**DIO1: Device\_Idle\_SR State** (selected/INTRQ negated/REL set to one): This state is entered when the device has completed the execution of a command protocol with no interrupt pending or nIEN=1, REL set to one, and SERV cleared to zero. This state is entered when the device has released an overlapped command with no interrupt pending or nIEN=1, REL set to one, and SERV cleared to zero. This state is entered when a pending interrupt is cleared, REL is set to one, and SERV is cleared to zero.

When in this state, the device is preparing for completion of a released command. The device shall have BSY and DRQ cleared to zero, and INTRQ negated or released.

**Transition DIO1:xx:** When the Command register is written, the device shall make a transition to the command protocol indicated by the content of the Command register.

NOTE – Since a queue exists, only commands in the queued command set may be written to the Command register. If any other command is written to the Command register, the queue is aborted and command aborted is returned for the command (see 6.9).

**Transition DIO1:DIO4:** When the Device/Head register is written and the DEV bit selects the other device, the device shall make a transition to the DIO4: Device\_Idle\_NS state.

**Transition DIO1:DIO2:** When the device is ready to continue the execution of a released command and nIEN=0, the device shall make a transition to the DIO2: Device\_idle\_SIS state.

**Transition DIO1:DIO3:** When the device is ready to continue the execution of a released command and nIEN=1, the device shall make a transition to the DIO3: Device\_idle\_SS state.

**DIO2: Device\_Idle\_SIS State** (selected/INTRQ asserted/SERV set to one): This state is entered when the device has completed the execution of a command protocol with interrupt pending, nIEN=0,

REL set to one, and SERV set to one. This state is entered when the device has released an overlapped with interrupt pending, nIEN=0, REL set to one, and SERV set to one.

**Transition DIO2:DIO3:** When the Status register is read, the device shall clear the interrupt pending, negate or release INTRQ within 400 ns of the negation of DIOR-, and make a transition to the DIO3: Device\_Idle\_SS state.

**Transition DIO2: DIO4:** When the Device/Head register is written and the DEV bit selects the other device, the device shall release INTRQ within 400 ns of the negation of DIOW- and make a transition to the DIO4: Device\_Idle\_NS state.

**Transition DIO2:DP0/DPD0/DDMAQ0:** When the SERVICE command is written into the Command register, the device shall set the Tag for the command to be serviced, negate or release INTRQ within 400 ns of the negation of DIOW-, and make a transition to the Service return of the command ready for service (see Figure 32 Device PACKET non-data and PIO data command protocol, Figure 34 Device PACKET DMA command protocol, or Figure 36 Device DMA QUEUED command protocol).

**Transition DIO2:xx:** When any overlapped command other than SERVICE is written to the Command register, the device shall negate or release INTRQ within 400 ns of the negation of DIOW- and make a transition to the protocol for the new command.

**DIO3: Device\_Idle\_SS State (selected/INTRQ negated/SERV set to one):** This state is entered when the device has completed the execution of a command protocol with no interrupt pending or nIEN=1, REL set to one, and SERV set to one. This state is entered when the device has released an overlapped with no interrupt pending or nIEN=1, REL set to one, and SERV set to one.

**Transition DIO3: DIO4:** When the Device/Head register is written and the DEV bit selects the other device, the device shall make a transition to the DIO4: Device\_Idle\_NS state.

**Transition DIO3:DP0/DPD0/DDMAQ0:** When the SERVICE command is written into the Command register, the device shall set the Tag for the command to be serviced and make a transition to the Service return of the command ready for service (see Figure 32, Figure 34, or Figure 36).

**Transition DIO3:xx:** When any overlapped command other than SERVICE is written to the Command register, the device shall make a transition to the protocol for the new command.

**DIO4: Device\_Idle\_NS State (not selected):** This state is entered when the device is deselected with REL or SERV set to one.

When in this state, the device shall have BSY and DRQ cleared to zero and INTRQ shall be released.

**Transition DIO4:DIO0:** When the Device/Head register is written, the DEV bit selects this device, the device has an interrupt pending, nIEN is cleared to zero, REL is set to one, and SERV is cleared to zero, then the device shall assert INTRQ within 400 ns of the negation of DIOW- and make a transition to the DIO0: Device\_Idle\_SIR state.

**Transition DIO4:DIO1:** When the Device/Head register is written, the DEV bit selects this device, the device has no interrupt pending or nIEN is set to one, REL is set to one, and SERV is cleared to zero, then the device shall make a transition to the DIO1: Device\_Idle\_SIR state.

**Transition DIO4:DIO2:** When the Device/Head register is written, the DEV bit selects this device, the device has an interrupt pending, nIEN is cleared to zero, REL is set to one, and SERV is set to one, then the device shall assert INTRQ within 400 ns of the negation of DIOW- and make a transition to the DIO2: Device\_Idle\_SIS state.

**Transition DIO4:DIO3:** When the Device/Head register is written, the DEV bit selects this device, the device has no interrupt pending or nIEN is set to one, REL is set to one, and SERV is set to one, then the device shall make a transition to the DIO3: Device\_Idle\_SIR state.

## 9.4 Non-data command protocol

This class includes:

- CFA ERASE SECTORS
- CFA REQUEST EXTENDED ERROR CODE
- CHECK POWER MODE
- FLUSH CACHE
- GET MEDIA STATUS
- IDLE
- IDLE IMMEDIATE
- INITIALIZE DEVICE PARAMETERS
- MEDIA EJECT
- MEDIA LOCK
- MEDIA UNLOCK
- NOP
- READ NATIVE MAX ADDRESS
- READ VERIFY SECTOR(S)
- SECURITY ERASE PREPARE
- SECURITY FREEZE LOCK
- SEEK
- SET FEATURES
- SET MAX ADDRESS
- SET MULTIPLE MODE
- SLEEP
- SMART DISABLE OPERATION
- SMART ENABLE/DISABLE AUTOSAVE
- SMART ENABLE OPERATION
- SMART EXECUTE OFFLINE IMMEDIATE
- SMART RETURN STATUS
- STANDBY
- STANDBY IMMEDIATE

Execution of these commands involves no data transfer. Figure 23 and the text following the figure describes the host state. Figure 24 and the text following the figure describes the device state.

See the NOP command description in 8.20 and the SLEEP command in 8.40 for additional protocol requirements.

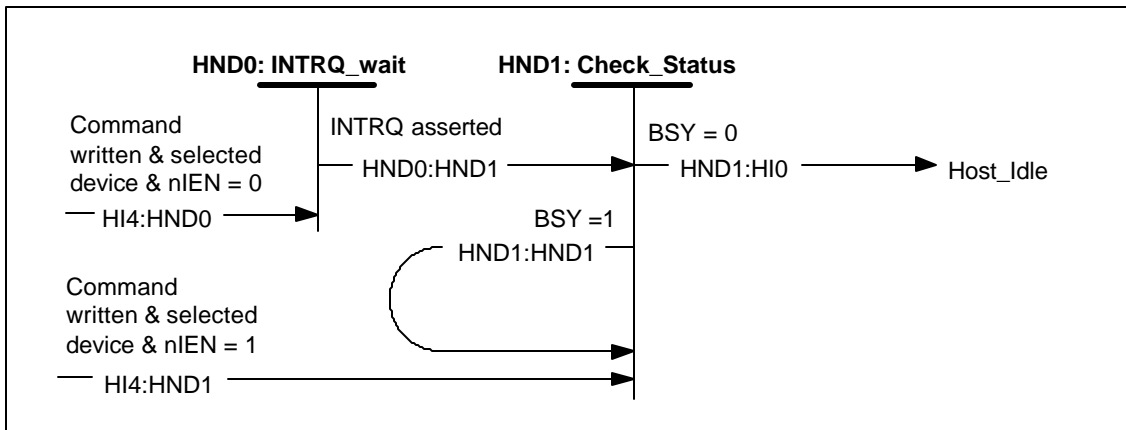


Figure 23 - Host Non-Data state diagram

**HND0: INTRQ\_Wait\_State:** This state is entered when the host has written a non-data command to the device and the nIEN bit in the device has been cleared to zero.

When in this state the host may wait for INTRQ to be asserted by the device.

**Transition HND0:HND1:** When the device asserts INTRQ, the host shall make a transition to the HND1: Check\_Status state.

**HND1: Check\_Status State:** This state is entered when the host has written a non-data command to the device and the nIEN bit in the device has been set to one, or when INTRQ has been asserted.

When in this state, the host shall read the device Status register. When entering this state from another state other than when an interrupt has occurred, the host shall wait 400 ns before reading the Status register.

**Transition HND1:HI0:** When the status read indicates that BSY is cleared to zero, the host shall make a transition to the HI0: Host\_Idle state (see Figure 19). If status indicates that an error has occurred, the host shall take appropriate error recovery action.

**Transition HND1:HND1:** When the status read indicates that BSY is set to one, the host shall make a transition to the HND1: Check\_Status state to recheck device status.

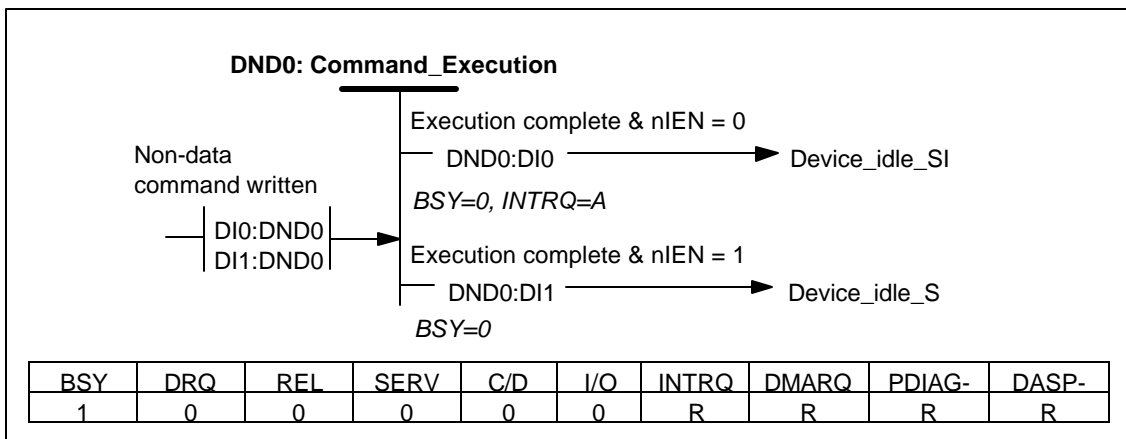


Figure 24 - Device Non-Data state diagram

**DND0: Command\_Execution State:** This state is entered when a non-data command has been written to the device Command register.



When in this state, the device shall set BSY to one within 400 ns of the writing of the Command register, shall execute the requested command, and shall set the interrupt pending.

**Transition DND0:DIO:** When command execution completes and nIEN is cleared to zero, then the device shall set error bits if appropriate, clear BSY to zero, assert INTRQ, and make a transition to the DIO: Device\_Idle\_SI state (see Figure 21).

**Transition DND0:DI1:** When command execution completes and nIEN is set to one, the device shall set error bits if appropriate, clear BSY to zero, and make a transition to the DI1: Device\_Idle\_S state (see Figure 21).

## 9.5 PIO data-in command protocol

This class includes:

- CFA TRANSLATE SECTOR
- IDENTIFY DEVICE
- IDENTIFY PACKET DEVICE
- READ BUFFER
- READ MULTIPLE
- READ SECTOR(S)
- SMART READ DATA
- SMART READ LOG SECTOR

Execution of this class of command includes the transfer of one or more blocks of data from the device to the host. Figure 25 and the text following the figure describes the host states. Figure 26 and the text following the figure describes the device states.

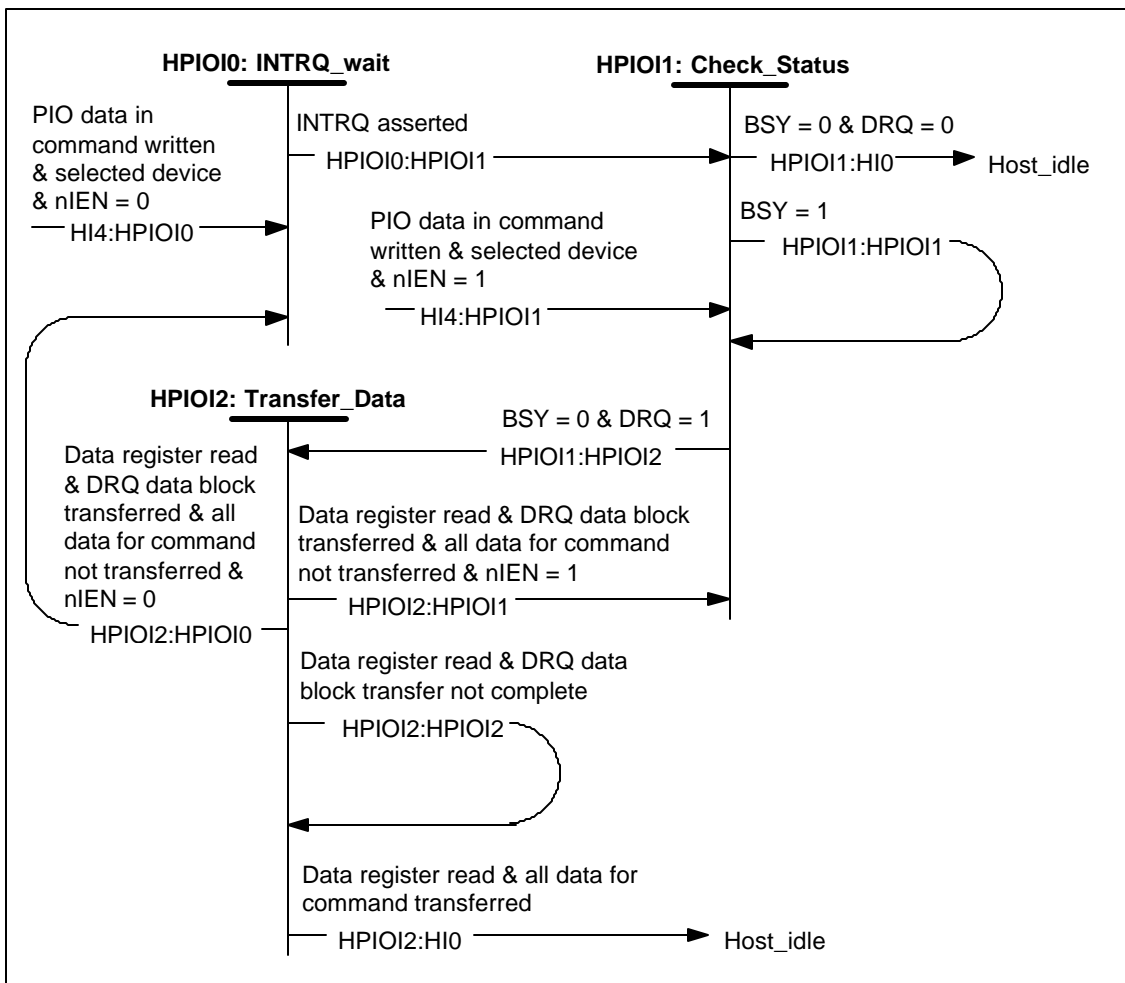


Figure 25 - Host PIO data-In state diagram

**HPIOI0: INTRQ\_Wait State:** This state is entered when the host has written a PIO data-in command to the device and nIEN is cleared to zero, or at the completion of a DRQ data block transfer if all the data for the command has not been transferred and nIEN is cleared to zero.

When in this state, the host shall wait for INTRQ to be asserted.

**Transition HPIOI0:HPIOI1:** When INTRQ is asserted, the host shall make a transition to the HPIOI1: Check\_Status state.

**HPIOI1: Check\_Status State:** This state is entered when the host has written a PIO data-in command to the device and nIEN is set to one, or when INTRQ is asserted.

When in this state, the host shall read the device Status register. When entering this state from the HI4 state, the host shall wait 400 ns before reading the Status register. When entering this state from the HPIOI2 state, the host shall wait one PIO transfer cycle time before reading the Status register. The wait may be accomplished by reading the Alternate Status register and ignoring the result.

**Transition HPIOI1:HI0:** When BSY is cleared to zero and DRQ is cleared to zero, then the device has completed the command with an error. The host shall perform appropriate error recovery and make a transition to the HI0: Host\_Idle state (see Figure 19).

**Transition HPIOI1:HPIOI1:** When BSY is set to one, the host shall make a transition to the HPIOI1: Check\_Status state.

**Transition HPIO11:HPIO12:** When BSY is cleared to zero and DRQ is set to one, the host shall make a transition to the HPIO12: Transfer\_Data state.

**HPIO12: Transfer\_Data State:** This state is entered when the BSY is cleared to zero, DRQ is set to one, and the DRQ data block transfer has not completed.

When in this state, the host shall read the device Data register to transfer data.

**Transition HPIO12:HPIO10:** When the host has read the device Data register and the DRQ data block has been transferred, all blocks for the command have not been transferred, and nIEN is cleared to zero, then the host shall make a transition to the HPIO10: INTRQ\_Wait state.

**Transition HPIO12:HPIO11:** When the host has read the device Data register and the DRQ data block has been transferred, all blocks for the command have not been transferred, and nIEN is set to one, then the host shall make a transition to the HPIO11: Check\_Status state.

**Transition HPIO12:HPIO12:** When the host has read the device status register and the DRQ data block transfer has not completed, then the host shall make a transition to the HPIO12: Transfer\_Data state.

**Transition HPIO12:HI0:** When the host has read the device Data register and all blocks for the command have been transferred, then the host shall make a transition to the HI0: Host\_Idle state (see Figure 19). The host may read the Status register.

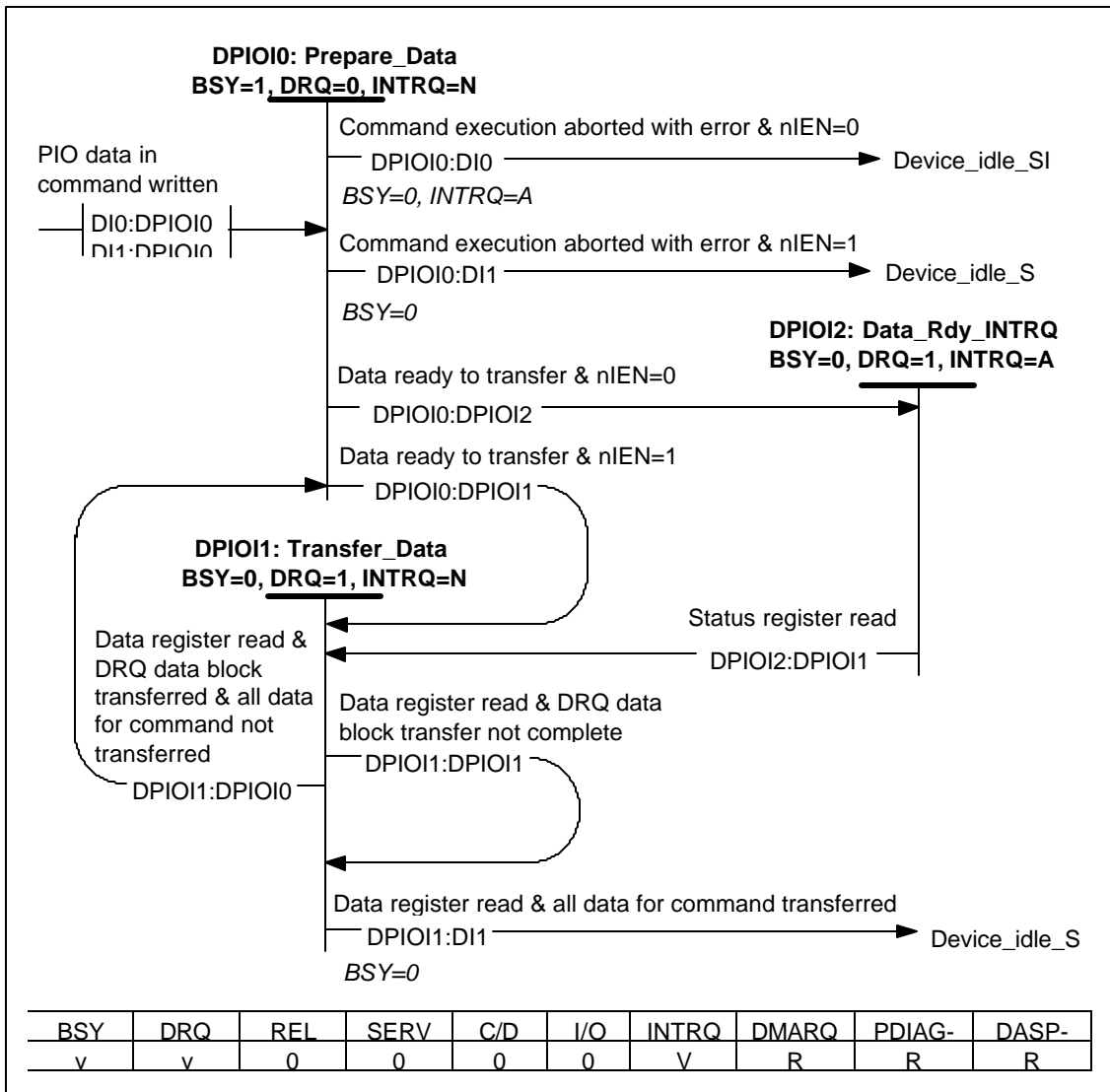


Figure 26 - Device PIO data-In state diagram

**DPIIO0: Prepare\_Data State:** This state is entered when the device has a PIO data-in command written to the Command register.

When in this state, device shall set BSY to one within 400 ns of the writing of the Command register and prepare the requested data for transfer to the host.

For IDENTIFY DEVICE and IDENTIFY PACKET DEVICE commands, if the device tests CBLID- it shall do so and update bit 13 in word 93.

**Transition DPIIO0:DI0:** When an error is detected that causes the command to abort and nIEN is cleared to zero, then the device shall set the appropriate error bits, clear BSY to zero, assert INTRQ, and make a transition to the DI0: Device\_Idle\_SI state (see Figure 21).

**Transition DPIIO0:DI1:** When an error is detected that causes the command to abort and nIEN is set to one, then the device shall set the appropriate error bits, clear BSY to zero, and make a transition to the DI1: Device\_Idle\_S state (see Figure 21).

**Transition DPIIO0:DPIIO1:** When the device has a DRQ data block ready to transfer and nIEN is set to one, then the device shall make a transition to the DPIIO1: Transfer\_Data state.

**Transition DPIO0:DPIO2:** When the device has a DRQ data block ready to transfer and nIEN is cleared to zero, then the device shall make a transition to the DPIO2: Data\_Ready\_INTRQ state.

**DPIO1: Data\_Transfer State:** This state is entered when the device is ready to transfer a DRQ data block and nIEN is set to one, or when the INTRQ indicating that the device is ready to transfer a DRQ data block has been acknowledged by a read of the Status register.

When in this state, BSY is cleared to zero, DRQ is set to one, INTRQ is negated, and the device has a data word ready in the Data register for transfer to the host.

**Transition DPIO1:DPIO1:** When the Data register is read and transfer of the DRQ data block has not completed, then the device shall make a transition to the DPIO1: Data\_Transfer state.

**Transition DPIO1:DPIO0:** When the Data register is read and the transfer of the current DRQ data block has completed, but all blocks for this request have not been transferred, then the device shall make a transition to the DPIO0: Prepare\_Data state.

**Transition DPIO1:DI1:** When the Data register is read and all blocks for this request have been transferred, then the device shall clear BSY to zero and make a transition to the DI1: Device\_Idle\_S state (see Figure 21). The interrupt pending is not set on this transition.

**DPIO2: Data\_Ready\_INTRQ State:** This state is entered when the device has a DRQ data block ready to transfer and nIEN is cleared to zero.

When in this state, BSY is cleared to zero, DRQ is set to one, and INTRQ is asserted.

**Transition DPIO2:DPIO1:** When the Status register is read, then the device shall clear the interrupt pending, negate INTRQ, and make a transition to the DPIO1: Data\_Transfer state.

## 9.6 PIO data-out command protocol

This class includes:

- CFA WRITE MULTIPLE WITHOUT ERASE
- CFA WRITE SECTORS WITHOUT ERASE
- DOWNLOAD MICROCODE
- SECURITY DISABLE PASSWORD
- SECURITY ERASE UNIT
- SECURITY SET PASSWORD
- SECURITY UNLOCK
- SMART WRITE LOG SECTOR
- WRITE BUFFER
- WRITE MULTIPLE
- WRITE SECTOR(S)

Execution of this class of command includes the transfer of one or more blocks of data from the host to the device. Figure 27 and the text following the figure describes the host states. Figure 28 and the text following the figure describes the device states.

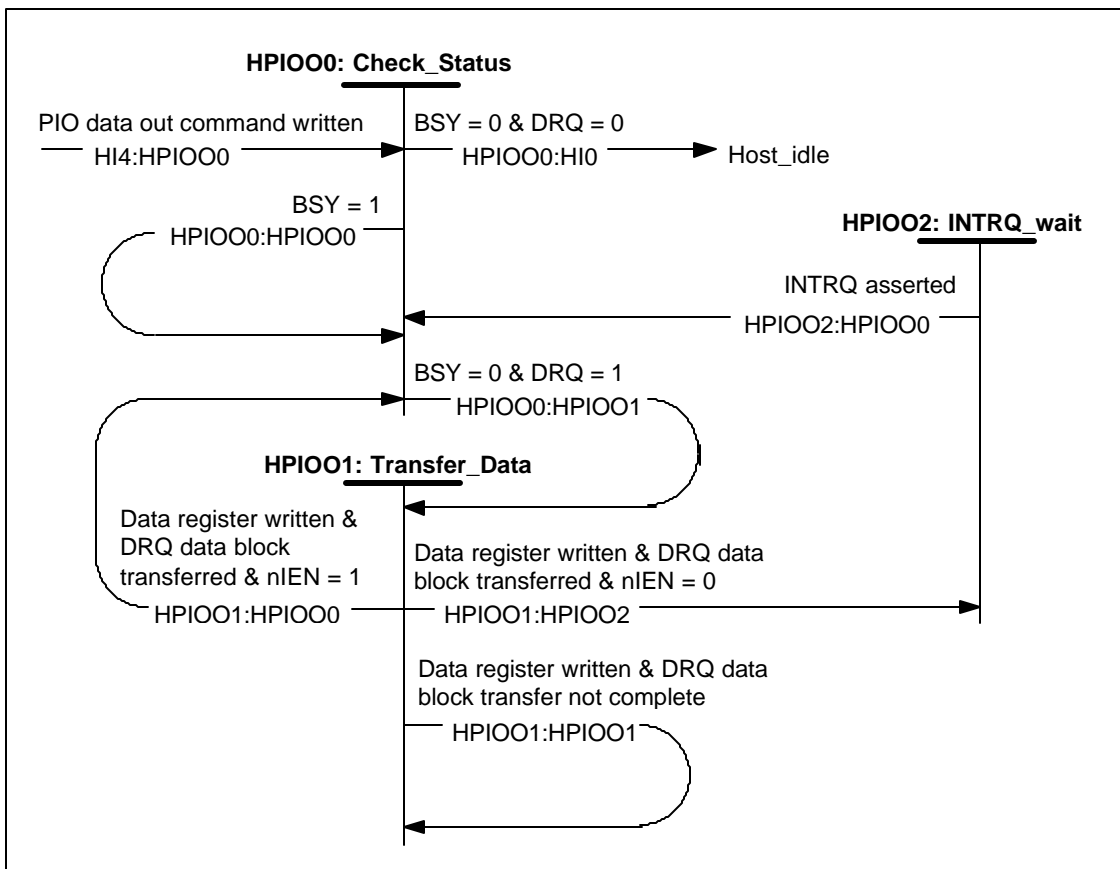


Figure 27 - Host PIO data-Out state diagram

**HPIOO0: Check\_Status State:** This state is entered when the host has written a PIO data-out command to the device; when a DRQ data block has been written and nIEN is set to one; or when a DRQ data block has been written, nIEN is cleared zero, and INTRQ has been asserted.

When in this state, the host shall read the device Status register. When entering this state from the HI4 state, the host shall wait 400 ns before reading the Status register. When entering this state from the HPIOO1 state, the host shall wait one PIO transfer cycle time before reading the Status register. The wait may be accomplished by reading the Alternate Status register and ignoring the result.

**Transition HPIOO0:HI0:** When BSY is cleared to zero and DRQ is cleared to zero, then the device has completed the command and shall make a transition to the HI0: Host\_Idle state (see Figure 19). If an error is reported, the host shall perform appropriate error recovery.

**Transition HPIOO0:HPIOO0:** When BSY is set to one and DRQ is cleared to zero, the host shall make a transition to the HPIOO0: Check\_Status state.

**Transition HPIOO0:HPIOO1:** When BSY is cleared to zero and DRQ is set to one, the host shall make a transition to the HPIOO1: Transfer\_Data state.

**HPIOO1: Transfer\_Data State:** This state is entered when the BSY is cleared to zero, DRQ is set to one.

When in this state, the host shall write the device Data register to transfer data.

**Transition HPIO01:HPIO02:** When the host has written the device Data register, the DRQ data block has been transferred, and nIEN is cleared to zero, then the host shall make a transition to the HPIO02: INTRQ\_Wait state.

**Transition HPIO01:HPIO00:** When the host has written the device Data register, the DRQ data block has been transferred, and nIEN is set to one, then the host shall make a transition to the HPIO00: Check\_Status state.

**Transition HPIO01:HPIO01:** When the host has written the device Data register and the DRQ data block transfer has not completed, then the host shall make a transition to the HPIO01: Transfer\_Data state.

**HPIO02: INTRQ\_Wait State:** This state is entered when the host has completed a DRQ data block transfer and nIEN is cleared to zero.

When in this state, the host shall wait for INTRQ to be asserted.

**Transition HPIO02:HPIO00:** When INTRQ is asserted, the host shall make a transition to the HPIO00: Check\_Status state.

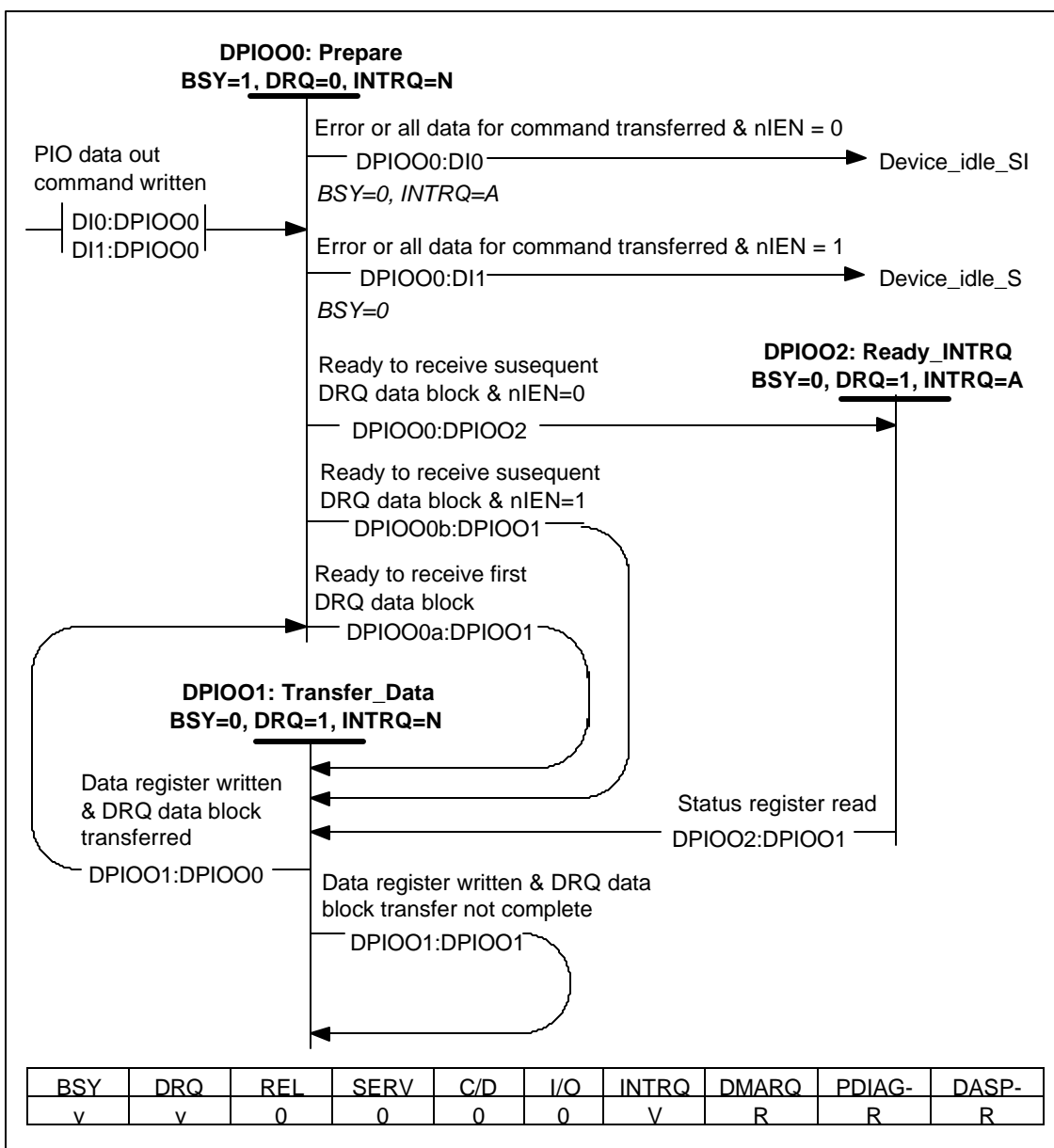


Figure 28 - Device PIO data-Out state diagram

**DPIOO0: Prepare State:** This state is entered when the device has a PIO data-out command written to the Command register or when a DRQ data block has been transferred.

When in this state, device shall set BSY to one within 400 ns of the writing of the Command register, shall clear DRQ to zero, and negate INTRQ. The device shall check for errors, determine if the data transfer is complete, and if not, prepare to receive the next DRQ data block.

**Transition DPIOO0a:DPIOO1:** When the device is ready to receive the first DRQ data block for a command, the device shall make a transition to the DPIOO1: Transfer\_Data state.

**Transition DPIOO0b:DPIOO1:** When the device is ready to receive a subsequent DRQ data block for a command and nIEN is set to one, then the device shall set the interrupt pending and make a transition to the DPIOO1: Transfer\_Data state.



**Transition DPIO00:DPIO02:** When the device is ready to receive a subsequent DRQ data block for a command and nIEN is cleared to zero, then the device shall set the interrupt pending and make a transition to the DPIO02: Ready\_INTRQ state.

**Transition DPIO00:DIO:** When all data for the command has been transferred or an error occurs that causes the command to abort, and nIEN is cleared to zero, then the device shall set the interrupt pending, set appropriate error bits, clear BSY to zero, assert INTRQ, and make a transition to the DIO: Device\_Idle\_SI state (see Figure 21).

**Transition DPIO00:DI1:** When all data for the command has been transferred or an error occurs that causes the command to abort, and nIEN is set to one, then the device shall set the interrupt pending, set appropriate error bits, clear BSY to zero, and make a transition to the DI1: Device\_Idle\_S state (see Figure 21).

**DPIO01: Data\_Transfer State:** This state is entered when the device is ready to receive a DRQ data block.

When in this state, BSY is cleared to zero, DRQ is set to one, INTRQ is negated, and the device receives a data word in the Data register.

**Transition DPIO01:DPIO01:** When the Data register is written and transfer of the DRQ data block has not completed, then the device shall make a transition to the DPIO01: Data\_Transfer state.

**Transition DPIO01:DPIO00:** When the Data register is written and the transfer of the current DRQ data block has completed, then the device shall make a transition to the DPIO00: Prepare state.

**DPIO02: Ready\_INTRQ State:** This state is entered when the device is ready to receive a DRQ data block and nIEN is cleared to zero.

When in this state, BSY is cleared to zero, DRQ is set to one, and INTRQ is asserted.

**Transition DPIO02:DPIO01:** When the Status register is read, the device shall clear the interrupt pending, negate INTRQ, and make a transition to the DPIO01: Data\_Transfer state.

## 9.7 DMA command protocol

This class includes:

- READ DMA
- WRITE DMA

Execution of this class of command includes the transfer of one or more blocks of data from the host to the device or from the device to the host using DMA transfer. The host shall initialize the DMA channel prior to transferring data. A single interrupt is issued at the completion of the successful transfer of all data required by the command or when the transfer is aborted due to an error. Figure 29 and the text following the figure describes the host states. Figure 30 and the text following the figure describes the device states.

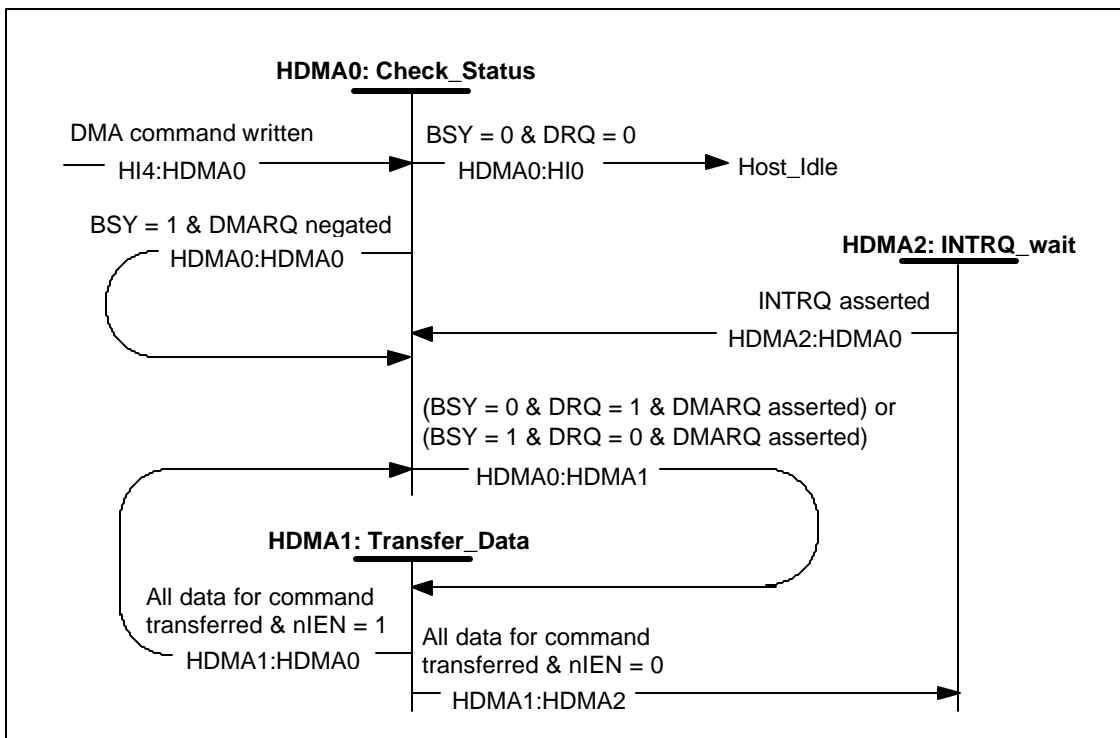


Figure 29 - Host DMA state diagram

**HDMA0: Check\_Status State:** This state is entered when the host has written a DMA command to the device; when all data for the command has been transferred and nIEN is set to one; or when all data for the command has been transferred, nIEN is cleared zero, and INTRQ has been asserted.

When in this state, the host shall read the device Status register. When entering this state from the HI4 state, the host shall wait 400 ns before reading the Status register. When entering this state from the HDMA1 state, the host shall wait one PIO transfer cycle time before reading the Status register. The wait may be accomplished by reading the Alternate Status register and ignoring the result.

**Transition HDMA0:HI0:** When the BSY is cleared to zero and DRQ is cleared to zero, then the device has completed the command and shall make a transition to the HI0: Host\_Idle state (see Figure 19). If an error is reported, the host shall perform appropriate error recovery.

**Transition HDMA0:HDMA0:** When BSY is set to one, DRQ is cleared to zero, and DMARQ is negated, then the host shall make a transition to the HDMA0: Check\_Status state.

**Transition HDMA0:HDMA1:** When BSY is cleared to zero, DRQ is set to one, and DMARQ is asserted; or if BSY is set to one, DRQ is cleared to zero, and DMARQ is asserted, then the host shall make a transition to the HDMA1: Transfer\_Data state. The host shall have set up the host DMA engine prior to making this transition.

**HDMA1: Transfer\_Data State:** This state is entered when BSY is cleared to zero, DRQ is set to one, and DMARQ is asserted; or BSY is set to one, DRQ is cleared to zero, and DMARQ is asserted. The host shall have initialized the DMA channel prior to entering this state.

When in this state, the host shall perform the data transfer as described in the Multiword DMA timing or the Ultra DMA protocol.

**Transition HDMA1:HDMA2:** When the host has transferred all data for the command and nIEN is cleared to zero, then the host shall make a transition to the HDMA2: INTRQ\_Wait state.

**Transition HDMA1:HDMA0:** When the host has transferred all data for the command and nIEN is set to one, then the host shall make a transition to the HDMA0: Check\_Status state.

**HDMA2: INTRQ\_Wait State:** This state is entered when the host has completed the transfer of all data for the command and nIEN is cleared to zero.

When in this state, the host shall wait for INTRQ to be asserted.

**Transition HDMA2:HDMA0:** When INTRQ is asserted, the host shall make a transition to the HDMA0: Check\_Status state.

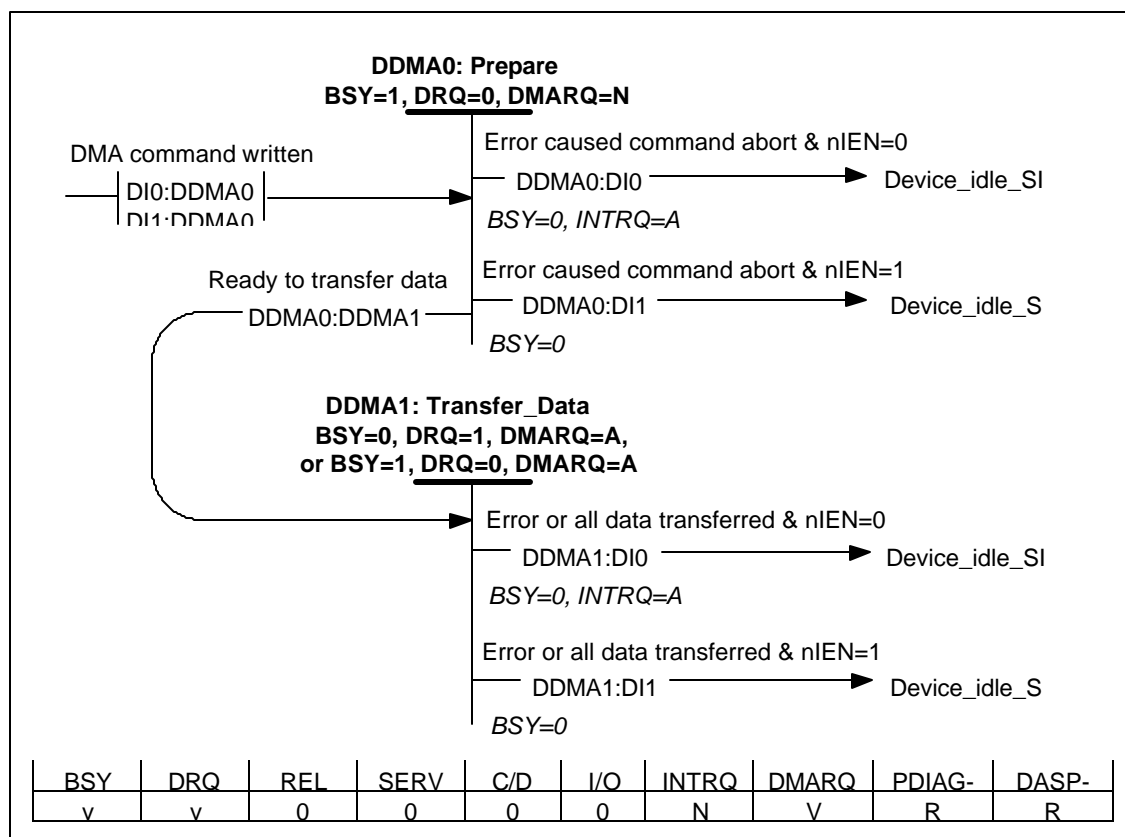


Figure 30 - Device DMA state diagram

**DDMA0: Prepare State:** This state is entered when the device has a DMA command written to the Command register.

When in this state, device shall set BSY to one, shall clear DRQ to zero, and negate INTRQ. The device shall check for errors, and prepare to transfer data.

**Transition DDMA0:DI0:** When an error is detected that causes the command to abort and nIEN is cleared to zero, the device shall set the appropriate error bits, enter the interrupt pending state, and make a transition to the DI0: Device\_Idle\_SI state (see Figure 21).

**Transition DDMA0:DI1:** When an error is detected that causes the command to abort and nIEN is set to one, then the device shall set the appropriate error bits, enter the interrupt pending state, and make a transition to the DI1: Device\_Idle\_S state (see Figure 21).

**Transition DDMA0:DDMA1:** When the device is ready transfer data for the command, the device shall make a transition to the DDMA1: Transfer\_Data state.

**DDMA1: Data\_Transfer State:** This state is entered when the device is ready to transfer data.

When in this state, BSY is cleared to zero, DRQ is set to one, and INTRQ is negated; or BSY is set to one, DRQ is cleared to zero, and INTRQ is negated. Data is transferred as described in Multiword DMA timing or Ultra DMA protocol.

**Transition DDMA1:DI0:** When the data transfer has completed or the device chooses to abort the command due to an error and nIEN is cleared to zero, then the device shall set error bits if appropriate, enter the interrupt pending state, and make a transition to the DI0: Device\_Idle\_SI state (see Figure 21).

**Transition DDMA2:DI1:** When the data transfer has completed or the device chooses to abort the command due to an error and nIEN is set to one, then the device shall set error bits if appropriate, enter the interrupt pending state, and make a transition to the DI1: Device\_Idle\_S state (see Figure 21).

## 9.8 PACKET command protocol

This class includes:

- PACKET

The PACKET command has a set of protocols for non-DMA data transfer commands and a set of protocols for DMA data transfer commands. Figure 31 and the text following the figure describes the host protocol for the PACKET command when non-data, PIO data-in, or PIO data-out is requested. Figure 32 and the text following the figure describes the device protocol for the PACKET command when non-data, PIO data-in, or PIO data-out is requested. Figure 33 and the text following the figure describes the host protocol for the PACKET command when DMA data transfer is requested. Figure 34 and the text following the figure describes the device protocol for the PACKET command when DMA data transfer is requested.

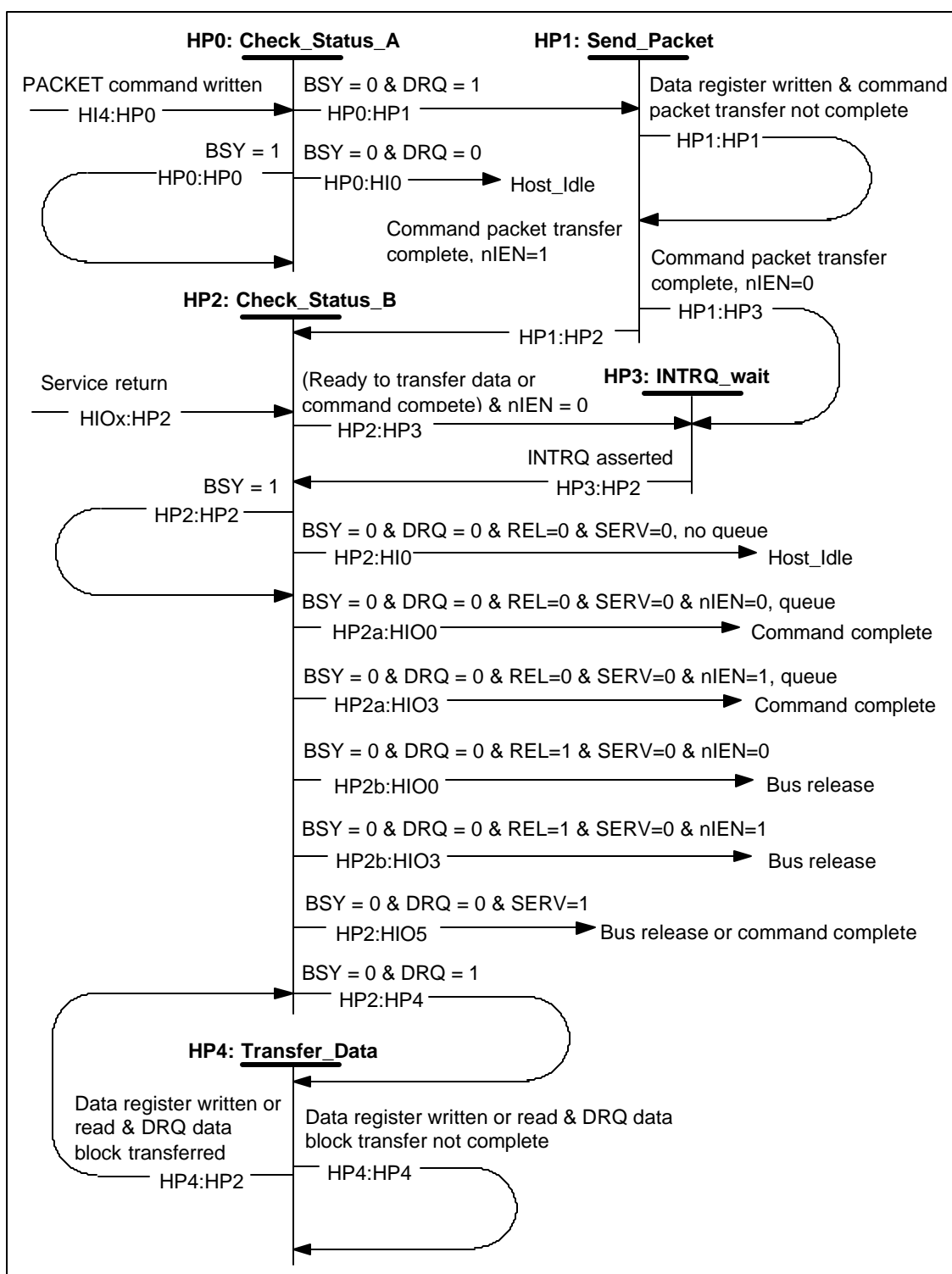


Figure 31 - Host PACKET non-data and PIO data command state diagram

**HP0: Check\_Status\_A State:** This state is entered when the host has written a PACKET command to the device.

When in this state, the host shall read the device Status register. When entering this state from the HI4 state, the host shall wait 400 ns before reading the Status register.

**Transition HP0:HP0:** When BSY is set to one, the host shall make a transition to the HP0: Check\_Status\_A state.

**Transition HP0:HP1:** When BSY is cleared to zero and DRQ is set to one, then the host shall make a transition to the HP1: Send\_Packet state.

**Transition HP0:HIO:** When BSY is cleared to zero, DRQ is cleared to zero, REL is cleared to zero, and SERV is cleared to zero, then the command is completed and the host shall make a transition to the HIO: Host\_Idle state (see Figure 19). If an error is reported, the host shall perform appropriate error recovery.

**HP1: Send\_Packet State:** This state is entered when BSY is cleared to zero, DRQ is set to one.

When in this state, the host shall write a byte of the command packet to the Data register.

**Transition HP1:HP1:** When the Data register has been written and the writing of the command packet is not completed, the host shall make a transition to the HP1: Send\_Packet state.

**Transition HP1:HP2:** When the Data register has been written, the writing of the command packet is completed, and nIEN is set to one, the host shall make a transition to the HP2: Check\_Status\_B state.

**Transition HP1:HP3:** When the Data register has been written, the writing of the command packet is completed, and nIEN is cleared to zero, the host shall make a transition to the HP3: INTRQ wait state.

**HP2: Check\_Status\_B State:** This state is entered when the host has written the command packet to the device, when INTRQ has been asserted, when a DRQ data block has been transferred, or from a service return.

When in this state, the host shall read the device Status register. When entering this state from the HP1 or HP4 state, the host shall wait one PIO transfer cycle time before reading the Status register. The wait may be accomplished by reading the Alternate Status register and ignoring the result.

**Transition HP2:HP2:** When BSY is set to one, and DRQ is cleared to zero, the host shall make a transition to the HP2: Check\_Status\_B state.

**Transition HP2:HP3:** When the host is ready to transfer data or the command is complete, and nIEN is cleared to zero, then the host shall make a transition to the HP3: INTRQ\_Wait state.

**Transition HP2:HP4:** When BSY is cleared to zero and DRQ is set to one, then the host shall make a transition to the HP4: Transfer\_Data state.

**Transition HP2:HIO:** When BSY is cleared to zero, DRQ is cleared to zero, REL is cleared to zero, SERV is cleared to zero, and the device queue is empty, then the command is completed and the host shall make a transition to the HIO: Host\_Idle state (see Figure 19). If an error is reported, the host shall perform appropriate error recovery.

**Transition HP2a:HIO0:** When BSY is cleared to zero, DRQ is cleared to zero, REL is cleared to zero, SERV is cleared to zero, nIEN is cleared to zero, and the device has a queue of released commands, then the command is completed and the host shall make a transition to the HIO0: Command completed state (see Figure 19). If an error is reported, the host shall perform appropriate error recovery.

**Transition HP2a:HIO3:** When BSY is cleared to zero, DRQ is cleared to zero, REL is cleared to zero, SERV is cleared to zero, nIEN is set to one, and the device has a queue of released commands, then the command is completed and the host shall make a transition to the HIO3: Command completed state (see Figure 19). If an error is reported, the host shall perform appropriate error recovery.

**Transitions HP2b:HIO0:** When BSY is cleared to zero, DRQ is cleared to zero, REL is set to one, SERV is cleared to zero, and nIEN is cleared to zero, then the host shall make a transition to the HIO0: INTRQ\_wait\_A state (see Figure 20). The bus has been released.

**Transitions HP2b:HIO3:** When BSY is cleared to zero, DRQ is cleared to zero, REL is set to one, SERV is cleared to zero, and nIEN is set to one, then the host shall make a transition to the HIO3: Check\_status\_A state (see Figure 20). The bus has been released.

**Transitions HP2:HIO5:** When BSY is cleared to zero, DRQ is cleared to zero, and SERV is set to one, then the host shall make a transition to the HIO5: Write\_SERVICE state (see Figure 20). The command is completed or the bus has been released, and another queued command is ready for service. If an error is reported, the host shall perform appropriate error recovery.

**HP3: INTRQ\_Wait State:** This state is entered when the command packet has been transmitted, the host is ready to transfer data or when the command has completed, and nIEN is cleared to zero.

When in this state, the host shall wait for INTRQ to be asserted.

**Transition HP3:HP2:** When INTRQ is asserted, the host shall make a transition to the HP2: Check\_Status\_B state.

**HP4: Transfer\_Data State:** This state is entered when BSY is cleared to zero, DRQ is set to one, and C/D is cleared to zero.

When in this state, the host shall read the byte count then read or write the device Data register to transfer data. If the bus has been released, the host shall read the Sector Count register to determine the Tag for the queued command to be executed.

**Transition HP4:HP2:** When the host has read or written the device Data register and the DRQ data block has been transferred, then the host shall make a transition to the HP2: Check\_Status\_B state.

**Transition HP4:HP4:** When the host has read or written the device status register and the DRQ data block transfer has not completed, then the host shall make a transition to the HP4: Transfer\_Data state.

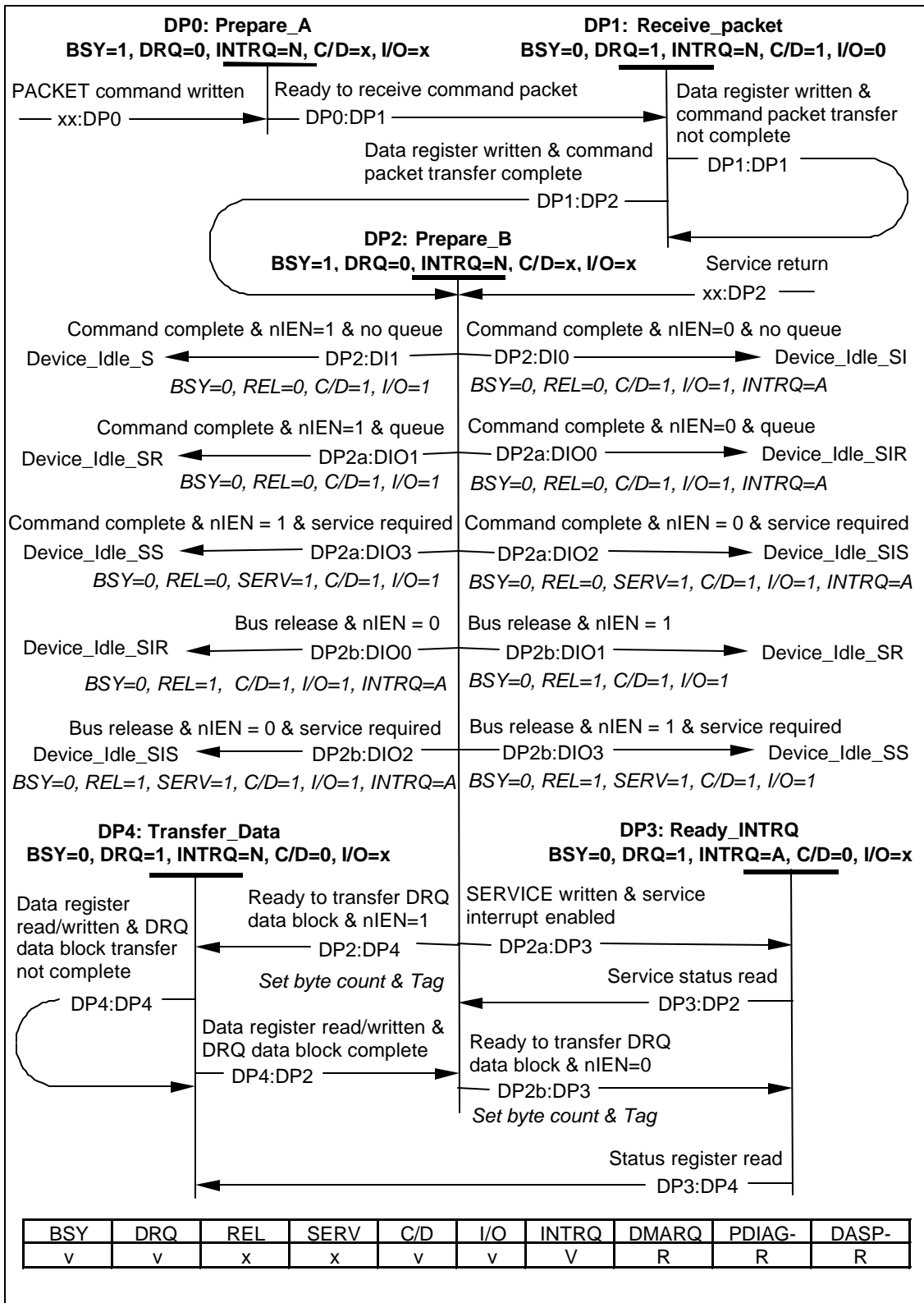


Figure 32 - Device PACKET non-data and PIO data command state diagram

**DP0: Prepare\_A State:** This state is entered when the device has a PACKET written to the Command register.



When in this state, device shall set BSY to one, clear DRQ to zero, and negate INTRQ within 400 ns of the receipt of the command and shall prepare to receive a command packet. If the command is a queued command, the device shall verify that the Tag is valid.

**Transition DP0:DP1:** When the device is ready to receive the command packet for a command, the device shall make a transition to the DP1: Receive\_Packet state.

**DP1: Receive\_Packet State:** This state is entered when the device is ready to receive the command packet.

When in this state, BSY is cleared to zero, DRQ is set to one, INTRQ is negated, C/D is set to one, I/O is cleared to zero, and REL is cleared to zero. When in this state, the device Data register is written.

**Transition DP1:DP1:** If the Data register is written and the entire command packet has not been received, then the device shall make a transition to the DP1: Receive\_Packet state.

**Transition DP1:DP2:** When the Data register is written and the entire command packet has been received, then the device shall make a transition to the DP2: Prepare\_B state.

**DP2: Prepare\_B State:** This state is entered when the command packet has been received or from a Service return.

When in this state, device shall set BSY to one, clear DRQ to zero, and negate INTRQ. Non-data transfer commands shall be executed while in this state. For data transfer commands, the device shall check for errors, determine if the data transfer is complete, and if not, prepare to transfer the next DRQ data block.

If the command is overlapped and the release interrupt is enabled, the device shall bus release as soon as the command packet has been received.

**Transition DP2:DP4:** When the device is ready to transfer a DRQ data block for a command and nIEN is set to one, then the device shall set the command Tag and byte count, set the interrupt pending, and make a transition to the DP4: Transfer\_Data state.

**Transition DP2b:DP3:** When the device is ready to transfer a DRQ data block for a command and nIEN is cleared to zero, then the device shall set the command Tag and byte count, set the interrupt pending, and make a transition to the DP3: Ready\_INTRQ state.

**Transition DP2a:DP3:** When the service interrupt is enabled and the device has SERVICE written to the Command register, then the device shall set the command Tag and byte count and make a transition to the DP3: Ready\_INTRQ state.

**Transition DP2:DIO:** When the command has completed or an error occurs that causes the command to abort, the device has no other command released, and nIEN is cleared to zero, then the device shall set the interrupt pending, set appropriate error bits, set C/D and I/O to one, clear BSY to zero, and make a transition to the DIO: Device\_Idle\_SI state (see Figure 21).

**Transition DP2:DI1:** When the command has completed or an error occurs that causes the command to abort, the device has no other command released, and nIEN is set to one, then the device shall set appropriate error bits, set C/D and I/O to one, clear BSY to zero, and make a transition to the DI1: Device\_Idle\_S state (see Figure 21).

**Transition DP2a:DIO0:** When the command has completed or an error occurs that causes the command to abort, the device has another command released but not ready for service, and nIEN is cleared to zero, then the device shall set the interrupt pending, set appropriate error bits, set C/D and I/O to one, clear BSY to zero, and make a transition to the DIO0: Device\_Idle\_SIR state (see Figure 22).

**Transition DP2a:DIO1:** When the command has completed or an error occurs that causes the command to abort, the device has another command released but not ready for service, and nIEN is set to one, then the device shall set appropriate error bits, set C/D and I/O to one, clear BSY to zero, and make a transition to the DIO1: Device\_Idle\_SR state (see Figure 22).

**Transition DP2a:DIO2:** When the command has completed or an error occurs that causes the command to abort, the device has another command ready for service, and nIEN is cleared to zero, then the device shall set the interrupt pending, set appropriate error bits, set C/D and I/O to one, set SERV to one, clear BSY to zero, and make a transition to the DIO2: Device\_Idle\_SIS state (see Figure 22).

**Transition DP2a:DIO3:** When the command has completed or an error occurs that causes the command to abort, the device has another command ready for service, and nIEN is set to one, then the device shall set appropriate error bits, set C/D and I/O to one, set SERV to one, clear BSY to zero, and make a transition to the DIO3: Device\_Idle\_SS state (see Figure 22).

**Transition DP2b:DIO0:** When the command is released and nIEN is cleared to zero, then the device shall set the interrupt pending, set appropriate error bits, set C/D and I/O to one, set REL to one, clear BSY to zero, and make a transition to the DIO0: Device\_Idle\_SIR state (see Figure 22).

**Transition DP2b:DIO1:** When the command is released and nIEN is set to one, then the device shall set appropriate error bits, set C/D and I/O to one, set REL to one, clear BSY to zero, and make a transition to the DIO1: Device\_Idle\_SR state (see Figure 22).

**Transition DP2b:DIO2:** When the command is released, the device has another command ready for service, and nIEN is cleared to zero, then the device shall set the interrupt pending, set appropriate error bits, set C/D and I/O to one, set REL to one, set SERV to one, clear BSY to zero, and make a transition to the DIO2: Device\_Idle\_SIS state (see Figure 22).

**Transition DP2b:DIO3:** When the command is released, the device has another command ready for service, and nIEN is set to one, then the device shall set appropriate error bits, set C/D and I/O to one, set REL to one, set SERV to one, clear BSY to zero, and make a transition to the DIO3: Device\_Idle\_SS state (see Figure 22).

**DP3: Ready\_INTRQ State:** This state is entered when the device is ready to transfer a DRQ data block and nIEN is cleared to zero. This state is entered to interrupt upon receipt of a SERVICE command when service interrupt is enabled.

When in this state, BSY is cleared to zero, DRQ is set to one, INTRQ is asserted, C/D is cleared to zero, and I/O is set to one for PIO data-out or cleared to zero for PIO data-in.

**Transition DP3:DP2:** When the Status register is read to respond to a service interrupt, the device shall make a transition to the DP2: Prepare\_B state.

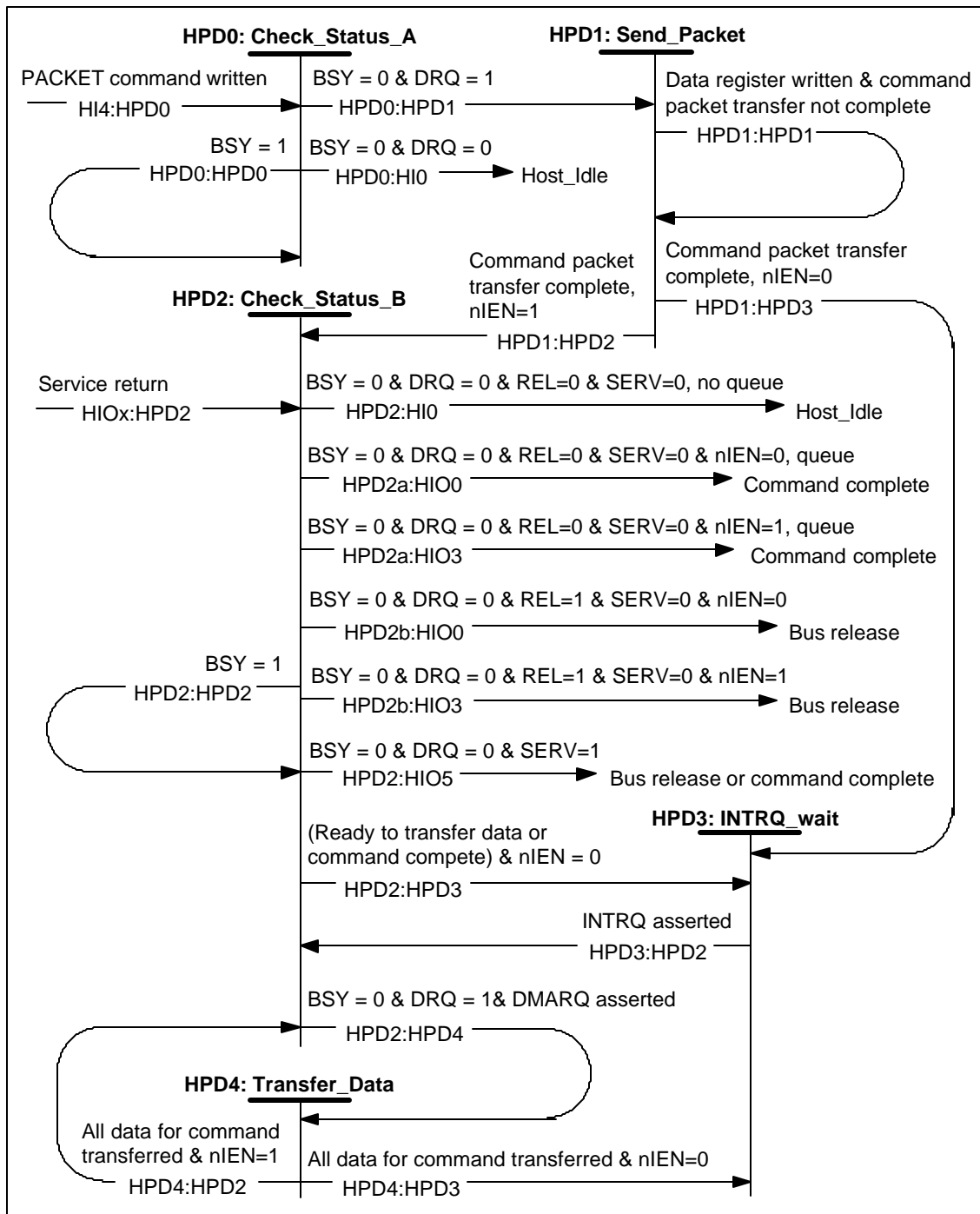
**Transition DP3:DP4:** When the Status register is read when the device is ready to transfer data, then the device shall clear the interrupt pending, negate INTRQ, and make a transition to the DP4: Data\_Transfer state.

**DP4: Data\_Transfer State:** This state is entered when the device is ready to transfer a DRQ data block.

When in this state, BSY is cleared to zero, DRQ is set to one, INTRQ is negated, C/D is cleared to zero, I/O is set to one for PIO data-out or cleared to zero for PIO data-in, and a data word is read/written in the Data register.

**Transition DP4:DP4:** When the Data register is read/written and transfer of the DRQ data block has not completed, then the device shall make a transition to the DP4: Data\_Transfer state.

**Transition DP4:DP2:** When the Data register is read/written and the transfer of the current DRQ data block has completed, then the device shall make a transition to the DP2: Prepare\_B state.



**Figure 33 - Host PACKET DMA command state diagram**

**HPD0: Check\_Status\_A State:** This state is entered when the host has written a PACKET command to the device.

When in this state, the host shall read the device Status register. When entering this state from the HI4 state, the host shall wait 400 ns before reading the Status register.

**Transition HPD0:HPD0:** When BSY is set to one, the host shall make a transition to the HPD0: Check\_Status\_A state.

**Transition HPD0:HPD1:** When BSY is cleared to zero and DRQ is set to one, then the host shall make a transition to the HPD1: Send\_Packet state.

**Transition HPD0:HIO:** When BSY is cleared to zero, DRQ is cleared to zero, REL is cleared to zero, and SERV is cleared to zero, then the command is completed and the host shall make a transition to the HIO: Host\_Idle state (see Figure 19). If an error is reported, the host shall perform appropriate error recovery.

**HPD1: Send\_Packet State:** This state is entered when BSY is cleared to zero, DRQ is set to one.

When in this state, the host shall write a byte of the command packet to the Data register.

**Transition HPD1:HPD1:** When the Data register has been written and the writing of the command packet is not completed, the host shall make a transition to the HPD1: Send\_Packet state.

**Transition HPD1:HPD2:** When the Data register has been written, the writing of the command packet is completed, and nIEN is set to one, the host shall make a transition to the HPD2: Check\_Status\_B state.

**Transition HPD1:HPD3:** When the Data register has been written, the writing of the command packet is completed, and nIEN is cleared to zero, the host shall make a transition to the HPD3: INTRQ wait state.

**HPD2: Check\_Status\_B State:** This state is entered when the host has written the command packet to the device, when INTRQ has been asserted, when a DRQ data block has been transferred, or from a service return.

When in this state, the host shall read the device Status register. When entering this state from the HPD1 or HPD4 state, the host shall wait one PIO transfer cycle time before reading the Status register. The wait may be accomplished by reading the Alternate Status register and ignoring the result.

**Transition HPD2:HPD2:** When BSY is set to one, and DRQ is cleared to zero, the host shall make a transition to the HPD2: Check\_Status\_B state.

**Transition HPD2:HPD3:** When the host is ready to transfer data or the command is complete, and nIEN is cleared to zero, then the host shall make a transition to the HPD3: INTRQ\_Wait state.

**Transition HPD2:HPD4:** When BSY is cleared to zero, DRQ is set to one, and DMARQ is asserted, then the host shall make a transition to the HPD4: Transfer\_Data state. The host shall have set up the DMA engine before this transition.

**Transition HPD2:HIO:** When BSY is cleared to zero, DRQ is cleared to zero, REL is cleared to zero, SERV is cleared to zero, and the device queue is empty, then the command is completed and the host shall make a transition to the HIO: Host\_Idle state (see Figure 19). If an error is reported, the host shall perform appropriate error recovery.

**Transition HPD2a:HIO0:** When BSY is cleared to zero, DRQ is cleared to zero, REL is cleared to zero, SERV is cleared to zero, nIEN is cleared to zero, and the device has a queue of released commands, then the command is completed and the host shall make a transition to the HIO0: Command completed state (see Figure 19). If an error is reported, the host shall perform appropriate error recovery.

**Transition HPD2a:HIO3:** When BSY is cleared to zero, DRQ is cleared to zero, REL is cleared to zero, SERV is cleared to zero, nIEN is set to one, and the device has a queue of released commands, then the command is completed and the host shall make a transition to the HIO3: Command completed state (see Figure 19). If an error is reported, the host shall perform appropriate error recovery.

**Transition HPD2b:HIO0:** When BSY is cleared to zero, DRQ is cleared to zero, REL is set to one, SERV is cleared to zero, and nIEN is cleared to zero, then the host shall make a transition to the HIO0: INTRQ\_wait\_A state (see Figure 20). The bus has been released.

**Transition HPD2b:HIO3:** When BSY is cleared to zero, DRQ is cleared to zero, REL is set to one, SERV is cleared to zero, and nIEN is set to one, then the host shall make a transition to the HIO3: Check\_status\_A state (see Figure 20). The bus has been released.

**Transition HPD2:HIO5:** When BSY is cleared to zero, DRQ is cleared to zero, and SERV is set to one, then the host shall make a transition to the HIO5: Write\_SERVICE state (see Figure 20). The command is completed or the bus has been released, and another queued command is ready for service. If an error is reported, the host shall perform appropriate error recovery.

**HPD3: INTRQ\_Wait State:** This state is entered when the command packet has been transmitted, the host is ready to transfer data or when the command has completed, and nIEN is cleared to zero.

When in this state, the host shall wait for INTRQ to be asserted.

**Transition HPD3:HPD2:** When INTRQ is asserted, the host shall make a transition to the HPD2: Check\_Status\_B state.

**HPD4: Transfer\_Data State:** This state is entered when BSY is cleared to zero, DRQ is set to one, and DMARQ is asserted.

When in this state, the host shall read or write the device Data port to transfer data. If the bus has been released, the host shall read the Sector Count register to determine the Tag for the queued command to be executed.

**Transition HPD4:HPD2:** When all data for the request has been transferred and nIEN is set to one, then the host shall make a transition to the HPD2: Check\_Status\_B state.

**Transition HPD4:HPD3:** When all data for the request has been transferred and nIEN is cleared to zero, then the host shall make a transition to the HPD3: INTRQ\_wait state.

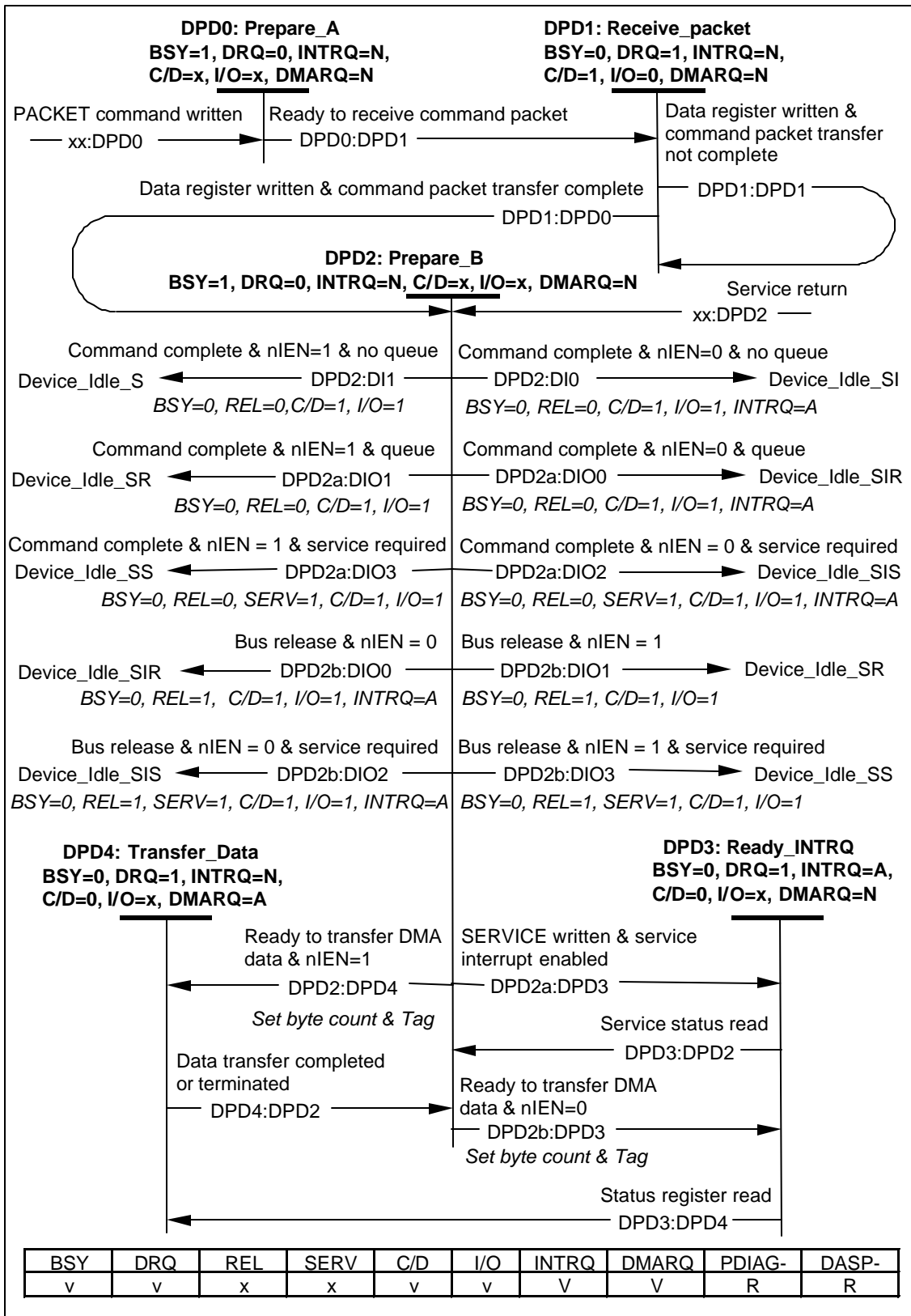


Figure 34 - Device PACKET DMA command state diagram

**DPD0: Prepare\_A State:** This state is entered when the device has a PACKET written to the Command register.

When in this state, device shall set BSY to one, clear DRQ to zero, and negate INTRQ within 400 ns of the receipt of the command and shall prepare to receive a command packet. If the command is a queued command, the device shall verify that the Tag is valid.

**Transition DPD0:DPD1:** When the device is ready to receive the command packet for a command, the device shall make a transition to the DPD1: Receive\_Packet state.

**DPD1: Receive\_Packet State:** This state is entered when the device is ready to receive the command packet.

When in this state, BSY is cleared to zero, DRQ is set to one, INTRQ is negated, C/D is set to one, I/O is cleared to zero, and REL is cleared to zero. When in this state, the device Data register is written.

**Transition DPD1:DPD1:** If the Data register is written and the entire command packet has not been received, then the device shall make a transition to the DPD1: Receive\_Packet state.

**Transition DPD1:DPD2:** When the Data register is written and the entire command packet has been received, then the device shall make a transition to the DPD2: Prepare\_B state.

**DPD2: Prepare\_B State:** This state is entered when the command packet has been received or from a Service return.

When in this state, device shall set BSY to one, clear DRQ to zero, and negate INTRQ. The device shall check for errors, determine if the data transfer is complete, and if not, prepare to transfer the DMA data.

If the command is overlapped and the release interrupt is enabled, the device shall bus release as soon as the command packet has been received.

**Transition DPD2:DPD4:** When the device is ready to transfer DMA data for a command and nIEN is set to one, then the device shall set the command Tag and byte count, set the interrupt pending, and make a transition to the DPD4: Transfer\_Data state.

**Transition DPD2b:DPD3:** When the device is ready to transfer DMA data for a command and nIEN is cleared to zero, then the device shall set the command Tag and byte count, set the interrupt pending, and make a transition to the DPD3: Ready\_INTRQ state.

**Transition DPD2a:DPD3:** When the service interrupt is enabled and the device has SERVICE written to the Command register, then the device shall set the command Tag and byte count and make a transition to the DPD3: Ready\_INTRQ state.

**Transition DPD2:DI0:** When the command has completed or an error occurs that causes the command to abort, the device has no other command released, and nIEN is cleared to zero, then the device shall set the interrupt pending, set appropriate error bits, set C/D and I/O to one, clear BSY to zero, and make a transition to the DI0: Device\_Idle\_SI state (see Figure 21).

**Transition DPD2:DI1:** When the command has completed or an error occurs that causes the command to abort, the device has no other command released, and nIEN is set to one, then the device shall set appropriate error bits, set C/D and I/O to one, clear BSY to zero, and make a transition to the DI1: Device\_Idle\_S state (see Figure 21).

**Transition DPD2a:DIO0:** When the command has completed or an error occurs that causes the command to abort, the device has another command released but not ready for service, and nIEN is cleared to zero, then the device shall set the interrupt pending, set appropriate error bits, set C/D and I/O to one, clear BSY to zero, and make a transition to the DIO0: Device\_Idle\_SIR state (see Figure 22).

**Transition DPD2a:DIO1:** When the command has completed or an error occurs that causes the command to abort, the device has another command released but not ready for service, and nIEN is set to one, then the device shall, set appropriate error bits, set C/D and I/O to one, clear BSY to zero, and make a transition to the DIO1: Device\_Idle\_SR state (see Figure 22).

**Transition DPD2a:DIO2:** When the command has completed or an error occurs that causes the command to abort, the device has another command ready for service, and nIEN is cleared to zero, then the device shall set the interrupt pending, set appropriate error bits, set C/D and I/O to one, set SERV to one, clear BSY to zero, and make a transition to the DIO2: Device\_Idle\_SIS state (see Figure 22).

**Transition DPD2a:DIO3:** When the command has completed or an error occurs that causes the command to abort, the device has another command ready for service, and nIEN is set to one, then the device shall set appropriate error bits, set C/D and I/O to one, set SERV to one, clear BSY to zero, and make a transition to the DIO3: Device\_Idle\_SS state (see Figure 22).

**Transition DPD2b:DIO0:** When the command is released and nIEN is cleared to zero, then the device shall set the interrupt pending, set appropriate error bits, set C/D and I/O to one, set REL to one, clear BSY to zero, and make a transition to the DIO0: Device\_Idle\_SIR state (see Figure 22).

**Transition DPD2b:DIO1:** When the command is released and nIEN is set to one, then the device shall, set appropriate error bits, set C/D and I/O to one, set REL to one, clear BSY to zero, and make a transition to the DIO1: Device\_Idle\_SR state (see Figure 22).

**Transition DPD2b:DIO2:** When the is released, the device has another command ready for service, and nIEN is cleared to zero, then the device shall set the interrupt pending, set appropriate error bits, set C/D and I/O to one, set REL to one, set SERV to one, clear BSY to zero, and make a transition to the DIO2: Device\_Idle\_SIS state (see Figure 22).

**Transition DPD2b:DIO3:** When the command is released, the device has another command ready for service, and nIEN is set to one, then the device shall set appropriate error bits, set C/D and I/O to one, set REL to one, set SERV to one, clear BSY to zero, and make a transition to the DIO3: Device\_Idle\_SS state (see Figure 22).

**DPD3: Ready\_INTRQ State:** This state is entered when the device is ready to transfer DMA data and nIEN is cleared to zero. This state is entered to interrupt upon receipt of a SERVICE command when service interrupt is enabled.

When in this state, BSY is cleared to zero, DRQ is set to one, INTRQ is asserted, C/D is cleared to zero, and I/O is set to one for PIO data-out or cleared to zero for PIO data-in.

**Transition DPD3:DPD2:** When the Status register is read to respond to a service interrupt, the device shall make a transition to the DPD2: Prepare\_B state.

**Transition DPD3:DPD4:** When the Status register is read and the device is ready to transfer data, then the device shall clear the interrupt pending, negate INTRQ, and make a transition to the DPD4: Data\_Transfer state.

**DPD4: Data\_Transfer State:** This state is entered when the device is ready to transfer DMA data.

When in this state, BSY is cleared to zero, DRQ is set to one, INTRQ is negated, C/D is cleared to zero, I/O is set to one for data-out or cleared to zero for data-in, DMARQ is asserted, and data is transferred as described in Multiword DMA timing or Ultra DMA protocol.

**Transition DPD4:DPD2:** When the data transfer has been completed, then the device shall make a transition to the DPD2: Prepare\_B state.



## 9.9 READ/WRITE DMA QUEUED command protocol

This class includes:

- READ DMA QUEUED
- WRITE DMA QUEUED

Execution of this class of command includes the transfer of one or more blocks of data from the host to the device or from the device to the host using DMA transfer. All data for the command may be transferred without a bus release between the command receipt and the data transfer. This command may bus release before transferring data. The host shall initialize the DMA channel prior to transferring data. When data transfer is begun, all data for the request shall be transferred without a bus release. Figure 35 and the text following the figure describes the host states. Figure 36 and the text following the figure describes the device states.

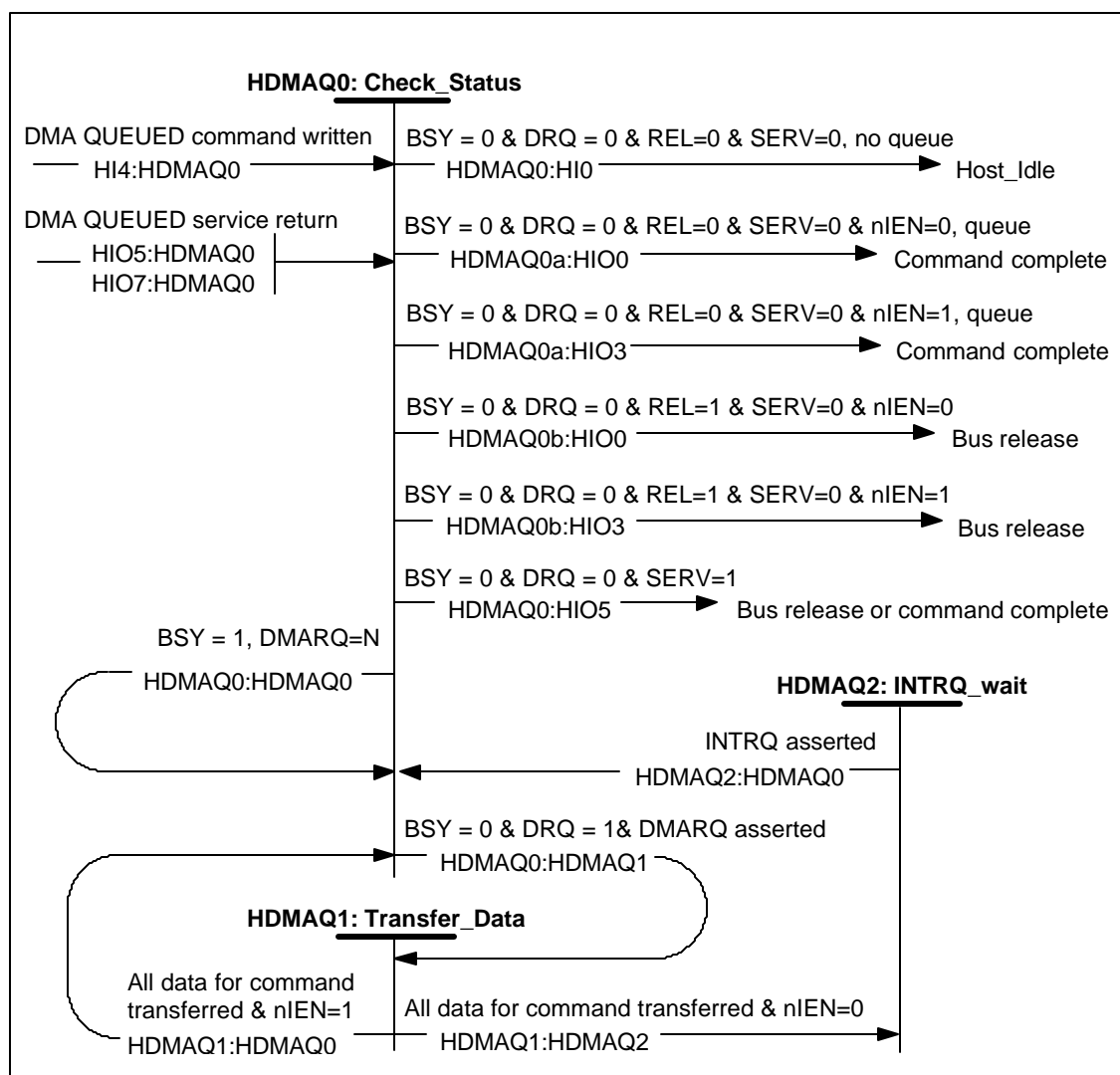


Figure 35 - Host DMA QUEUED state diagram

**HDMAQ0: Check\_Status State:** This state is entered when the host has written a READ/WRITE DMA QUEUED command to the device, when all data for the command has been transferred and nIEN is set to one, or when all data for the command has been transferred, nIEN is cleared to zero, and INTRQ has been asserted. It is also entered when the SERVICE command has been written to continue execution of a bus released command.

When in this state, the host shall read the device Status register. When entering this state from the HI4, HIO5, or HIO7 state, the host shall wait 400 ns before reading the Status register. When entering this state from the HDMAQ1 state, the host shall wait one PIO transfer cycle time before reading the Status register. The wait may be accomplished by reading the Alternate Status register and ignoring the result. When entering this state from the DMA QUEUED service return, the host shall check the Tag for the command to be serviced before making a transition to transfer data.

**Transition HDMAQ0:HDMAQ0:** When BSY is set to one and DMARQ is negated, the host shall make a transition to the HDMAQ0: Check\_Status state.

**Transition HDMAQ0:HDMAQ1:** When BSY is cleared to zero, DRQ is set to one, and DMARQ is asserted, then the host shall make a transition to the HDMAQ1: Transfer\_Data state. The host shall have set up the DMA engine before making this transition.

**Transition HDMAQ0:HIO:** When BSY is cleared to zero, DRQ is cleared to zero, REL is cleared to zero, SERV is cleared to zero, and the device queue is empty, then the command is completed and the host shall make a transition to the HIO: Host\_Idle state (see Figure 19). If an error is reported, the host shall perform appropriate error recovery.

**Transition HDMAQ0a:HIO0:** When BSY is cleared to zero, DRQ is cleared to zero, REL is cleared to zero, SERV is cleared to zero, nIEN is cleared to zero, and the device has a queue of released commands, then the command is completed and the host shall make a transition to the HIO0: Command completed state (see Figure 19). If an error is reported, the host shall perform appropriate error recovery.

**Transition HDMAQ0a:HIO3:** When BSY is cleared to zero, DRQ is cleared to zero, REL is cleared to zero, SERV is cleared to zero, nIEN is set to one, and the device has a queue of released commands, then the command is completed and the host shall make a transition to the HIO3: Command completed state (see Figure 19). If an error is reported, the host shall perform appropriate error recovery.

**Transition HDMAQ0b:HIO0:** When BSY is cleared to zero, DRQ is cleared to zero, REL is set to one, SERV is cleared to zero, and nIEN is cleared to zero, then the host shall make a transition to the HIO0: INTRQ\_wait\_A state (see Figure 20). The bus has been released.

**Transition HDMAQ0b:HIO3:** When BSY is cleared to zero, DRQ is cleared to zero, REL is set to one, SERV is cleared to zero, and nIEN is set to one, then the host shall make a transition to the HIO3: Check\_status\_A state (see Figure 20). The bus has been released.

**Transition HDMAQ0:HIO5:** When BSY is cleared to zero, DRQ is cleared to zero, and SERV is set to one, then the host shall make a transition to the HIO5: Write\_SERVICE state (see Figure 20). The command is completed or the bus has been released, and another queued command is ready for service. If an error is reported, the host shall perform appropriate error recovery.

**HDMAQ1: Transfer\_Data State:** This state is entered when BSY is cleared to zero, DRQ is set to one, and DMARQ is asserted.

When in this state, the host shall read or write the device Data port to transfer data. If the bus has been released, the host shall read the Tag in the Sector Count register to determine the queued command to be executed and initialize the DMA channel.

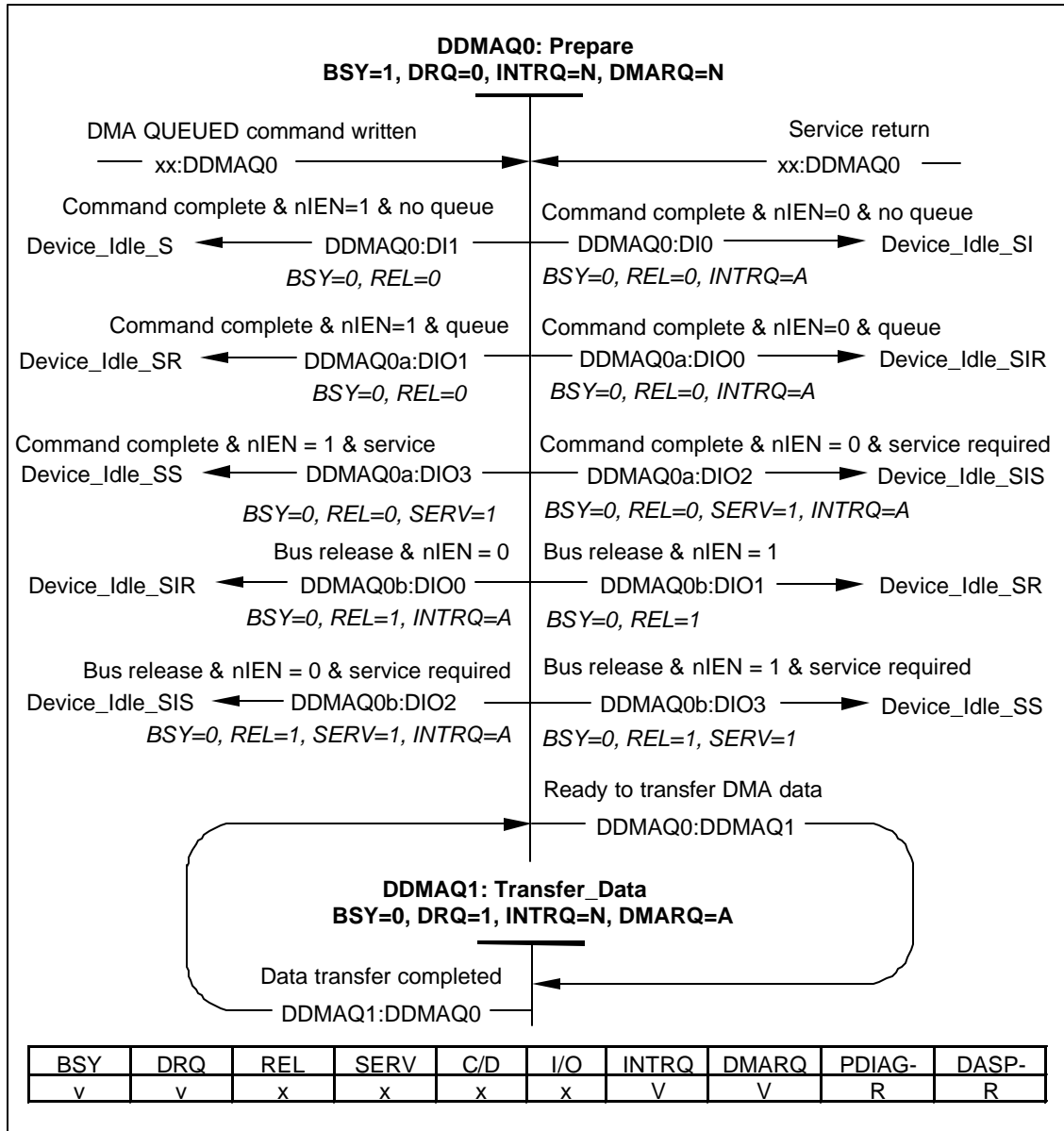
**Transition HDMAQ1:HDMAQ0:** When all data for the request has been transferred and nIEN is set to one, then the host shall make a transition to the HDMAQ0: Check\_Status state.

**Transition HDMAQ1:HDMAQ2:** When all data for the request has been transferred and nIEN is cleared to zero, then the host shall make a transition to the HDMAQ2: INTRQ\_wait state.

**HDMAQ2: INTRQ\_Wait State:** This state is entered when the command has completed, and nIEN is cleared to zero.

When in this state, the host shall wait for INTRQ to be asserted.

**Transition HDMAQ2:HDMAQ0:** When INTRQ is asserted, the host shall make a transition to the HDMAQ0: Check\_Status state.



**Figure 36 - Device DMA QUEUED command state diagram**

**DDMAQ0: Prepare State:** This state is entered when the device has a READ/WRITE DMA QUEUED or SERVICE command written to the Command register, when the data has been transferred, or when the command has completed.

When in this state, device shall set BSY to one, clear DRQ to zero, and negate INTRQ. If the command is a queued command, the device shall verify that the Tag is valid. If commands are queued, the Tag for the command to be serviced shall be placed into the Sector Count register.

**Transition DDMAQ0:DDMAQ1:** When the device is ready to transfer the data for a command, then the device shall make a transition to the DDMAQ1: Transfer\_Data state.

**Transition DDMAQ0:DIO:** When the command has completed or an error occurs that causes the command to abort, the device has no other command released, and nIEN is cleared to zero, then the device shall set the interrupt pending, set appropriate error bits, clear BSY to zero, assert INTRQ, and make a transition to the DIO: Device\_Idle\_SI state (see Figure 21).

**Transition DDMAQ0:DI1:** When the command has completed or an error occurs that causes the command to abort, the device has no other command released, and nIEN is set to one, then the device shall set appropriate error bits, clear BSY to zero, assert INTRQ, and make a transition to the DI1: Device\_Idle\_S state (see Figure 21).

**Transition DDMAQ0a:DIO0:** When the command has completed or an error occurs that causes the command to abort, the device has another command released but not ready for service, and nIEN is cleared to zero, then the device shall set the interrupt pending, set appropriate error bits, clear BSY to zero, assert INTRQ, and make a transition to the DIO0: Device\_Idle\_SIR state (see Figure 22).

**Transition DDMAQ0a:DIO1:** When the command has completed or an error occurs that causes the command to abort, the device has another command released but not ready for service, and nIEN is set to one, then the device shall, set appropriate error bits, clear BSY to zero, and make a transition to the DIO1: Device\_Idle\_SR state (see Figure 22).

**Transition DDMAQ0a:DIO2:** When the command has completed or an error occurs that causes the command to abort, the device has another command ready for service, and nIEN is cleared to zero, then the device shall set the interrupt pending, set appropriate error bits, set SERV to one, clear BSY to zero, assert INTRQ, and make a transition to the DIO2: Device\_Idle\_SIS state (see Figure 22).

**Transition DDMAQ0a:DIO3:** When the command has completed or an error occurs that causes the command to abort, the device has another command ready for service, and nIEN is set to one, then the device shall set appropriate error bits, set SERV to one, clear BSY to zero, and make a transition to the DIO3: Device\_Idle\_SS state (see Figure 22).

**Transition DDMAQ0b:DIO0:** When the bus is released and nIEN is cleared to zero, then the device shall set the interrupt pending, set appropriate error bits, set REL to one, clear BSY to zero, assert INTRQ, and make a transition to the DIO0: Device\_Idle\_SIR state (see Figure 22).

**Transition DDMAQ0b:DIO1:** When the bus is released and nIEN is set to one, then the device shall, set appropriate error bits, set REL to one, clear BSY to zero, and make a transition to the DIO1: Device\_Idle\_SR state (see Figure 22).

**Transition DDMAQ0b:DIO2:** When the bus is released, the device has another command ready for service, and nIEN is cleared to zero, then the device shall set the interrupt pending, set appropriate error bits, set REL to one, set SERV to one, clear BSY to zero, assert INTRQ, and make a transition to the DIO2: Device\_Idle\_SIS state (see Figure 22).

**Transition DDMAQ0b:DIO3:** When the bus is released, the device has another command ready for service, and nIEN is set to one, then the device shall set appropriate error bits, set REL to one, set SERV to one, clear BSY to zero, and make a transition to the DIO3: Device\_Idle\_SS state (see Figure 22).

**DDMAQ1: Data\_Transfer State:** This state is entered when the device is ready to transfer DMA data.

When in this state, BSY is cleared to zero, DRQ is set to one, INTRQ is negated, DMARQ is asserted, and data is transferred as described in Multiword DMA timing or Ultra DMA protocol.

**Transition DDMAQ1:DDMAQ0:** When the data transfer has been completed, then the device shall make a transition to the DDMAQ0: Prepare state.

## 9.10 EXECUTE DEVICE DIAGNOSTIC command protocol

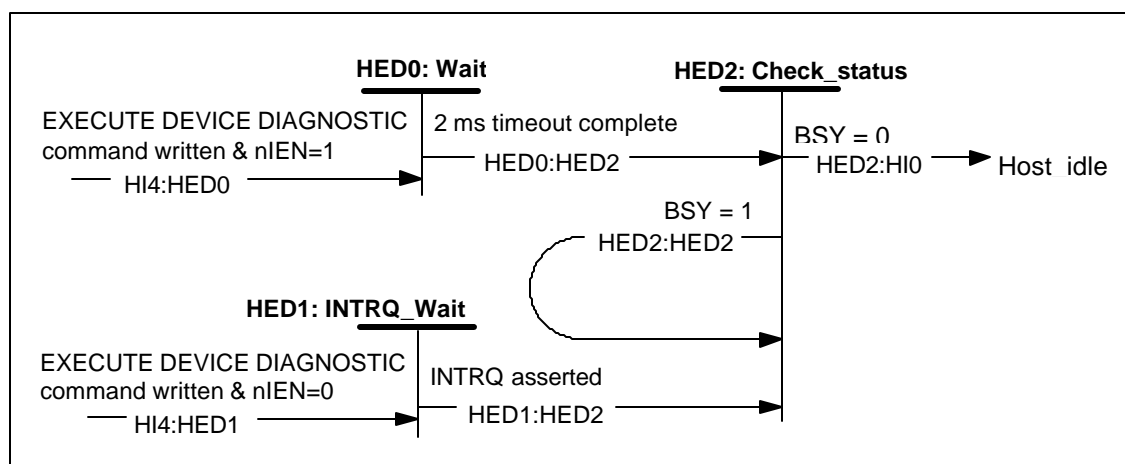
This class includes:

- EXECUTE DEVICE DIAGNOSTIC

If the host asserts RESET- before devices have completed executing their EXECUTE DEVICE DIAGNOSTIC protocol, then the devices shall start executing the power-on or hardware reset protocol from the beginning.

If the host sets SRST to one in the Device Control register before the devices have completed execution of their EXECUTE DEVICE DIAGNOSTIC protocol, then the devices shall start executing their software reset protocol from the beginning.

Figure 37 and the text following the figure describe the EXECUTE DEVICE DIAGNOSTIC protocol for the host. Figure 38 and the text following the figure describe the EXECUTE DEVICE DIAGNOSTIC protocol for Device 0. Figure 39 and the text following the figure describe the EXECUTE DEVICE DIAGNOSTIC protocol for Device 1.



**Figure 37 - Host EXECUTE DEVICE DIAGNOSTIC state diagram**

**HED0: Wait State:** This state is entered when the host has written the EXECUTE DEVICE DIAGNOSTIC command to the devices and nIEN is set to one.

The host shall remain in this state for at least 2 ms.

**Transition HED0:HED1:** When at least 2 ms has elapsed since the command was written, the host shall make a transition to the HED1: Check\_status state.

**HED1: INTRQ\_wait:** This state is entered when the host has written the EXECUTE DEVICE DIAGNOSTIC command to the devices and nIEN is cleared to zero.

When in this state the host shall wait for INTRQ to be asserted.

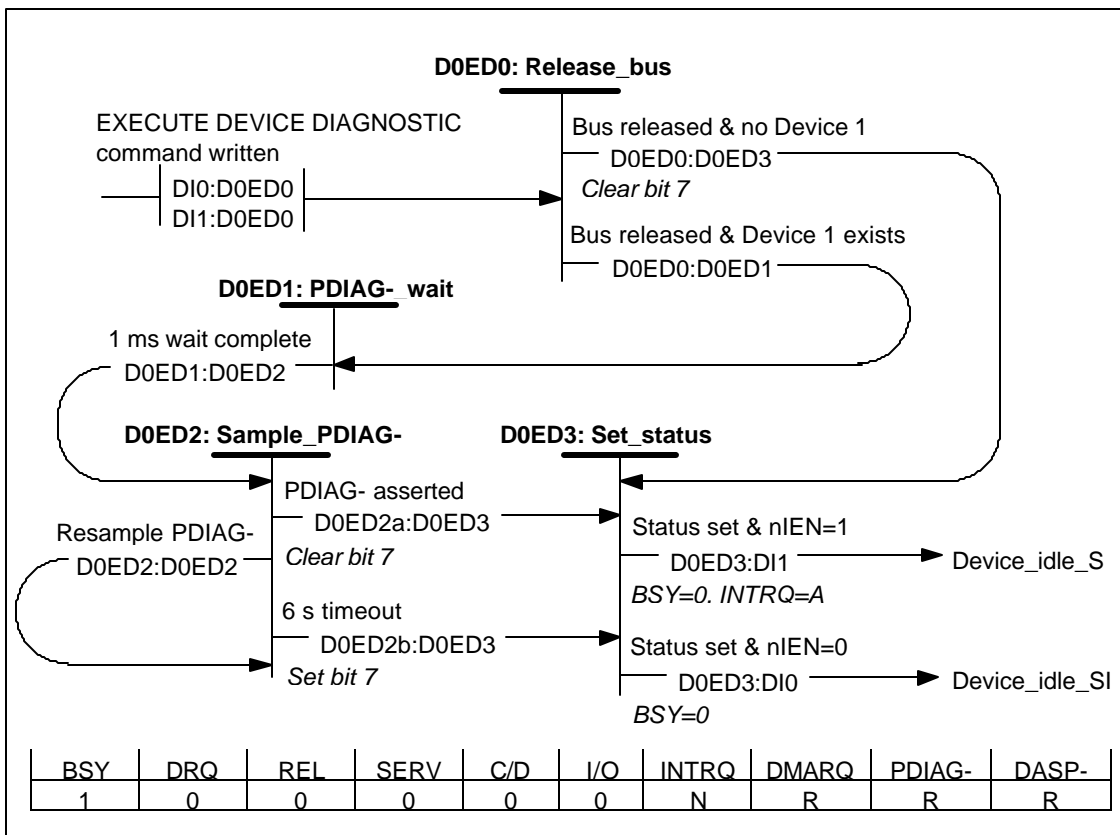
**Transition HED1:HED2:** When INTRQ is asserted, the host shall make a transition to the HED2: Check\_status state.

**HED2: Check\_status State:** This state is entered when at least 2 ms since the command was written or INTRQ has been asserted.

When in this state, the host shall read the Status or Alternate Status register.

**Transition HED2:HED2:** When BSY is set to one, the host shall make a transition to the HED1: Check\_status state.

**Transition HED2:HI0:** When BSY is cleared to zero, the host shall check the results of the command (see 9.16) and make a transition to the HI0: Host\_idle state (see Figure 19).



**Figure 38 - Device 0 EXECUTE DEVICE DIAGNOSTIC state diagram**

**D0ED0: Release\_bus State:** This state is entered when the EXECUTE DEVICE DIAGNOSTIC command has been written to Device 0.

When in this state, the device shall release PDIAG-, INTRQ, IORDY, DMARQ, and DD(15:0) and shall set BSY to one and clear DEV to zero within 400 ns after entering this state.

The device should begin performing the self-diagnostic testing.

**Transition D0ED0:D0ED1:** When the bus has been released, BSY set to one, and the assertion of DASP- by Device 1 was detected during the most recent power-on or hardware reset, then the device shall make a transition to the D0ED1: PDIAG-\_wait state.

**Transition D0ED0:D0ED3:** When the bus has been released, BSY set to one, and the assertion of DASP- by Device 1 was not detected during the most recent power-on or hardware reset, then the device shall clear bit 7 in the Error register and make a transition to the D0ED3: Set\_status state.

**D0ED1: PDIAG-\_wait State:** This state is entered when the bus has been released, BSY set to one, and Device 1 exists.

The device shall remain in this state until least 1 ms has elapsed since the command was written.

**Transition D0ED1:D0ED2:** When at least 1 ms has elapsed since the command was written, the device shall make a transition to the D0ED2: Sample\_PDIAG- state.

**D0ED2: Sample\_PDIAG- State:** This state is entered when at least 1 ms has elapsed since the command was written.

When in this state, the device shall sample the PDIAG- signal.

**Transition D0ED2:D0ED3:** When the sample indicates that PDIAG- is asserted, the device shall clear bit 7 in the Error register and make a transition to the D0ED3: Set\_status state.

**Transition D0ED2:D0ED2:** When the sample indicates that PDIAG- is not asserted and less than 6 s have elapsed since the command was written, then the device shall make a transition to the D0ED2: Sample\_PDIAG- state.

**Transition D0ED2:D0ED3:** When the sample indicates that DASP- is not asserted and 6 s have elapsed since the command was written, then the device shall set bit 7 in the Error register and make a transition to the D0ED3: Set\_status state.

**D0ED3: Set\_status State:** This state is entered when Bit 7 in the Error register has been set or cleared.

When in this state the device shall complete the self-diagnostic testing begun in the Release bus state if not already completed.

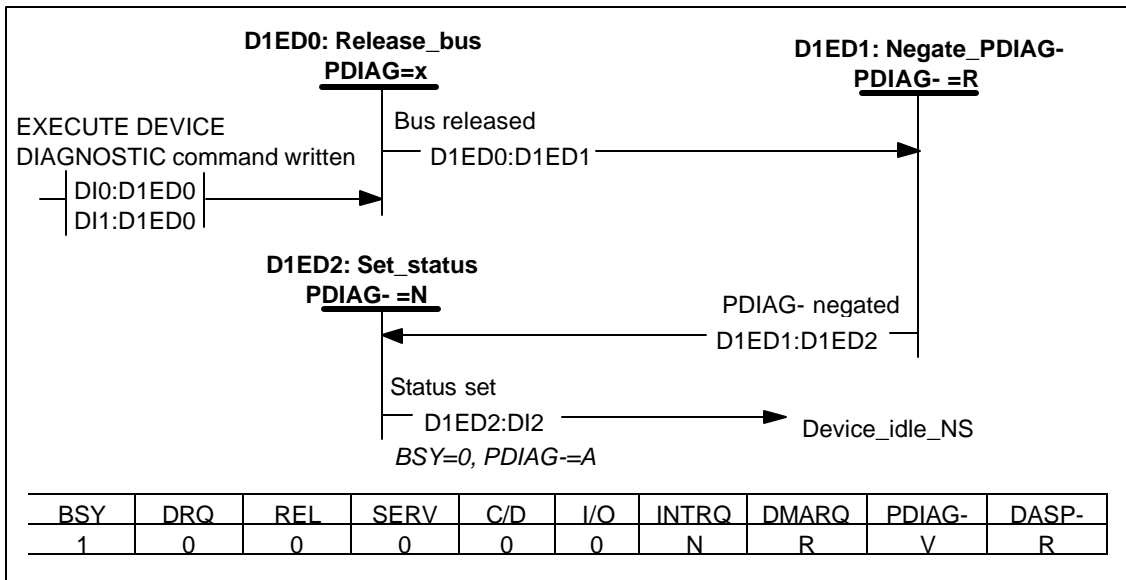
Results of the self-diagnostic testing shall be placed in bits 6-0 of the Error register (see Table 19). The device shall set the signature values (see 9.12). The contents of the Features register is undefined.

If the device does not implement the PACKET command feature set, the device shall clear bits 3, 2, and 0 in the Status register to zero.

If the device implements the PACKET command feature set, the device shall clear bits 6, 5, 4, 3, 2, and 0 in the Status register to zero. The device shall return the operating modes to their specified initial conditions. MODE SELECT conditions shall be restored to their last saved values if saved values have been established. MODE SELECT conditions for which no values have been saved shall be returned to their default values.

**Transition D0ED3:DI1:** When hardware initialization and self-diagnostic testing is completed, the status has been set, and nIEN is set to one, then the device shall clear BSY to zero, and make a transition to the DI1: Device\_idle\_S state (see Figure 21).

**Transition D0ED3:DI0:** When hardware initialization and self-diagnostic testing is completed, the status has been set, and nIEN is cleared to zero, then the device shall clear BSY to zero, assert INTRQ, and make a transition to the DI0: Device\_idle\_SI state (see Figure 21).



**Figure 39 - Device 1 EXECUTE DEVICE DIAGNOSTIC command state diagram**

**D1ED0: Release\_bus State:** This state is entered when the EXECUTE DEVICE DIAGNOSTIC command is written to Device 1.

When in this state, the device shall release INTRQ, IORDY, DMARQ, and DD(15:0) within 400 ns after entering this state. The device shall set BSY to one and clear DEV to zero within 400 ns after entering this state.

The device should begin performing the self-diagnostic testing.

**Transition D1ED0:D1ED1:** When the bus has been released and BSY set to one, then the device shall make a transition to the D1ED1: Negate\_PDIAG- state.

**D1ED1: Negate\_PDIAG- State:** This state is entered when the bus has been released and BSY set to one.

When in this state, the device shall negate PDIAG- within less than 1 ms of the receipt of the EXECUTE DEVICE DIAGNOSTIC command.

**Transition D1ED1:D1ED2:** When PDIAG- has been negated, the device shall make a transition to the D1ED2: Set\_status state.

**D1ED2: Set\_status State:** This state is entered when the device has negated PDIAG-.

When in this state the device shall complete the hardware initialization and self-diagnostic testing begun in the Release bus state if not already completed. Results of the self-diagnostic testing shall be placed in the Error register (see Table 19). If the device passed the self-diagnostics, the device shall assert PDIAG-.

The device shall set the signature values (see 9.12). The effect on the Features register is undefined.

If the device does not implement the PACKET command feature set, the device shall clear bits 3, 2, and 0 in the Status register to zero.

If the device implements the PACKET command feature set, the device shall clear bits 6, 5, 4, 3, 2, and 0 in the Status register to zero. The device shall return the operating modes to their specified initial conditions. MODE SELECT conditions shall be restored to their last saved values if saved values have been established. MODE SELECT conditions for which no values have been saved shall be returned to their default values.



A requirements for this state shall be completed within 5 s or less from the writing of the command.

**Transition D1ED2:DI2:** When hardware initialization and self-diagnostic testing is completed and the status has been set, then the device shall clear BSY to zero, assert PDIAG- if diagnostics were passed, and make a transition to the DI2: Device\_idle\_NS state (see Figure 21).

## 9.11 DEVICE RESET command protocol

This class includes:

- DEVICE RESET

If the host asserts RESET- before the device has completed executing a DEVICE RESET command, then the device shall start executing the hardware reset protocol from the beginning. If the host sets the SRST bit to one in the Device Control register before the device has completed executing a DEVICE RESET command, the device shall start executing the software reset protocol from the beginning.

The host should not issue a DEVICE RESET command while a DEVICE RESET command is in progress. If the host issues a DEVICE RESET command while a DEVICE RESET command is in progress, the results are indeterminate.

Figure 40 and the text following the figure describe the DEVICE RESET command protocol for the host. Figure 41 and the text following the figure describe the DEVICE RESET command protocol for the device.

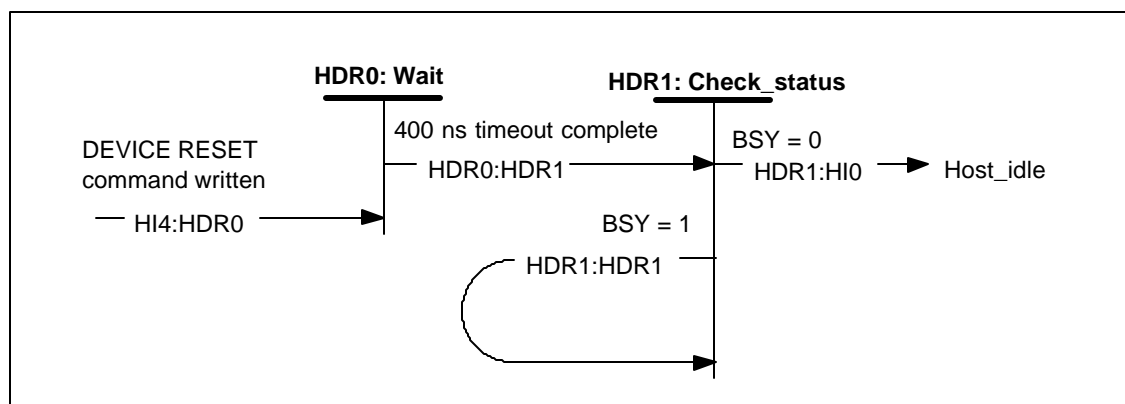


Figure 40 - Host DEVICE RESET command state diagram

**HDR0: Wait State:** This state is entered when the host has written the DEVICE RESET command to the device.

The host shall remain in this state for at least 400 ns.

**Transition HDR0:HDR1:** When at least 400 ns has elapsed since the command was written, the host shall make a transition to the HDR1: Check\_status state.

**HDR1: Check\_status State:** This state is entered when at least 400 ns has elapsed since the command was written.

When in this state the host shall read the Status register.

**Transition HDR1:HDR1:** When BSY is set to one, the host shall make a transition to the HDR1: Check\_status state.

**Transition HDR1:HI0:** When BSY is cleared to zero, the host shall make a transition to the HI0: Host\_idle state (see Figure 19). If status indicates that an error has occurred, the host shall take appropriate action.

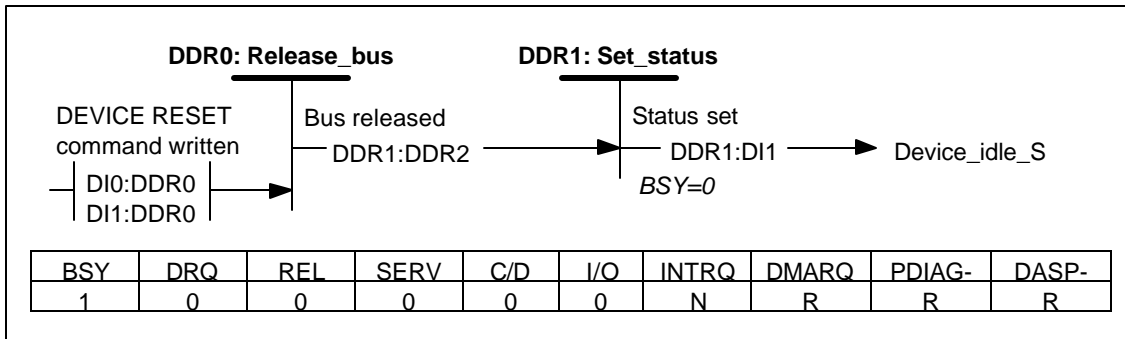


Figure 41 - Device DEVICE RESET command state diagram

**DDR0: Release\_bus State:** This state is entered when the DEVICE RESET command is written.

When in this state, the device shall release INTRQ, IORDY, DMARQ, and DD(15:0) within 400 ns after entering this state. The device shall set BSY to one within 400 ns after entering this state.

**Transition DDR0:DDR1:** When the bus has been released and BSY set to one, the device shall make a transition to the DDR1: Set\_status state.

**DDR1: Set\_status State:** This state is entered when the device has released the bus and set BSY to one.

When in this state the device should stop execution of any uncompleted command. The device should end background activity (e.g., immediate commands, see MMC and MMC-2).

The device should not revert to the default condition. If the device reverts to the default condition, the device shall report an exception condition by setting CHK to one in the Status register. MODE SELECT conditions shall not be altered.

The device shall set the signature values (see 9.12). The content of the Features register is undefined.

The device shall clear bit 7 in the ERROR register to zero. The device shall clear bits 6, 5, 4, 3, 2, and 0 in the Status register to zero.

**Transition DDR1:DI1:** When the status has been set, the device shall clear BSY to zero and make a transition to the DI1: Device\_idle\_S state (see Figure 21).

## 9.12 Signature and persistence

A device not implementing the PACKET command feature set shall place the signature in the Command Block registers listed below for power-on reset, hardware reset, software reset, and the EXECUTE DEVICE DIAGNOSTIC command.

If the device does not implement the PACKET command feature set, the signature shall be:

|               |     |
|---------------|-----|
| Sector Count  | 01h |
| Sector Number | 01h |
| Cylinder Low  | 00h |
| Cylinder High | 00h |
| Device/Head   | 00h |

A device implementing the PACKET command feature set shall place the signature in the Command Block registers listed below for power-on reset, hardware reset, software reset, the EXECUTE DEVICE DIAGNOSTIC command, and the DEVICE RESET command. The DEVICE RESET command shall not change the value of the DEV bit when writing the signature into the Device/Head register for a device implementing the PACKET command feature set. If the device implements the PACKET command feature set, the signature is also written in the registers for the IDENTIFY DEVICE and READ SECTOR(S) commands.

If the device implements the PACKET command feature set, the signature shall be:

|               |   |
|---------------|---|
| Sector Count  | 01h   |
| Sector Number | 01h   |
| Cylinder Low  | 14h   |
| Cylinder High | EBh   |
| Device/Head   | 000x0000b where x equals 0<br>except when responding to a<br>DEVICE RESET command. For<br>the DEVICE RESET command the<br>value of x is not changed from that<br>existing when the command is<br>written to the Command register. |

If the PACKET command feature set is implemented by a device, then the signature values written by the device in the Command Block registers following power-on reset, hardware reset, software reset, or the DEVICE RESET command shall not be changed by the device until the device receives a command that sets DRDY to one. Writes by the host to the Command Block registers that contain the signature values shall overwrite the signature values and invalidate the signature.

## 9.13 Ultra DMA data-in commands

### 9.13.1 Initiating an Ultra DMA data-in burst

The following steps shall occur in the order they are listed unless otherwise specified. Timing requirements are shown in 10.2.4 and 10.2.4.1.

- The host shall keep DMACK- in the negated state before an Ultra DMA burst is initiated.
- The device shall assert DMARQ to initiate an Ultra DMA burst when DMACK- is negated. After assertion of DMARQ the device shall not negate DMARQ until after the first negation of DSTROBE.
- Steps (c), (d), and (e) may occur in any order or at the same time. The host shall assert STOP.
- The host shall negate HDMARDY-.
- The host shall negate CS0-, CS1-, DA2, DA1, and DA0. The host shall keep CS0-, CS1-, DA2, DA1, and DA0 negated until after negating DMACK- at the end of the burst.
- Steps (c), (d), and (e) shall have occurred at least  $t_{ACK}$  before the host asserts DMACK-. The host shall keep DMACK- asserted until the end of an Ultra DMA burst.
- The host shall release DD(15:0) within  $t_{AZ}$  after asserting DMACK-.
- The device may assert DSTROBE  $t_{ZIORDY}$  after the host has asserted DMACK-. Once the device has driven DSTROBE the device shall not release DSTROBE until after the host has negated DMACK- at the end of an Ultra DMA burst.
- The host shall negate STOP and assert HDMARDY- within  $t_{ENV}$  after asserting DMACK-. After negating STOP and asserting HDMARDY-, the host shall not change the state of either signal until after receiving the first negation of DSTROBE from the device (i.e., after the first data word has been received).
- The device shall drive DD(15:0) no sooner than  $t_{ZAD}$  after the host has asserted DMACK-, negated STOP, and asserted HDMARDY-.
- The device shall drive the first word of the data transfer onto DD(15:0). This step may occur when the device first drives DD(15:0) in step (j).
- To transfer the first word of data the device shall negate DSTROBE within  $t_{FS}$  after the host has negated STOP and asserted HDMARDY-. The device shall negate DSTROBE no sooner than  $t_{DVS}$  after driving the first word of data onto DD(15:0).

### 9.13.2 The data-in transfer

The following steps shall occur in the order they are listed unless otherwise specified. Timing requirements are shown in 10.2.4 and 10.2.4.2.

- a) The device shall drive a data word onto DD(15:0).
- b) The device shall generate a DSTROBE edge to latch the new word no sooner than  $t_{DVS}$  after changing the state of DD(15:0). The device shall generate a DSTROBE edge no more frequently than  $t_{YC}$  for the selected Ultra DMA mode. The device shall not generate two rising or two falling DSTROBE edges more frequently than  $t_{2yc}$  for the selected Ultra DMA mode.
- c) The device shall not change the state of DD(15:0) until at least  $t_{DVH}$  after generating a DSTROBE edge to latch the data.
- d) The device shall repeat steps (a), (b), and (c) until the Ultra DMA burst is paused or terminated by the device or host.

### 9.13.3 Pausing an Ultra DMA data-in burst

The following steps shall occur in the order they are listed unless otherwise specified. Timing requirements are shown in 10.2.4 and 10.2.4.3.

#### 9.13.3.1 Device pausing an Ultra DMA data-in burst

- a) The device shall not pause an Ultra DMA burst until at least one data word of an Ultra DMA burst has been transferred.
- b) The device shall pause an Ultra DMA burst by not generating additional DSTROBE edges. If the host is ready to terminate the Ultra DMA burst, see 9.13.4.2.
- c) The device shall resume an Ultra DMA burst by generating a DSTROBE edge.

#### 9.13.3.2 Host pausing an Ultra DMA data-in burst

- a) The host shall not pause an Ultra DMA burst until at least one data word of an Ultra DMA burst has been transferred.
- b) The host shall pause an Ultra DMA burst by negating HDMARDY-.
- c) The device shall stop generating DSTROBE edges within  $t_{RFS}$  of the host negating HDMARDY-.
- d) When operating in Ultra DMA modes 2, 1, or 0: If the host negates HDMARDY- within  $t_{SR}$  after the device has generated a DSTROBE edge, then the host shall be prepared to receive zero or one additional data words; or, if the host negates HDMARDY- greater than  $t_{BR}$  after the device has generated a DSTROBE edge, then the host shall be prepared to receive zero, one or two additional data words. While operating in Ultra DMA modes 4 or 3 the host shall be prepared to receive zero, one, two or three additional data words after negating HDMARDY-. The additional data words are a result of cable round trip delay and  $t_{RFS}$  timing for the device.
- e) The host shall resume an Ultra DMA burst by asserting HDMARDY-.

### 9.13.4 Terminating an Ultra DMA data-in burst

#### 9.13.4.1 Device terminating an Ultra DMA data-in burst

Burst termination is completed when the termination protocol has been executed and DMACK- negated.

The device shall terminate an Ultra DMA burst before command completion.

The following steps shall occur in the order they are listed unless otherwise specified. Timing requirements are shown in 10.2.4 and 10.2.4.4.

- a) The device shall initiate termination of an Ultra DMA burst by not generating additional DSTROBE edges.

- b) The device shall negate DMARQ no sooner than  $t_{SS}$  after generating the last DSTROBE edge. The device shall not assert DMARQ again until after DMACK- has been negated.
- c) The device shall release DD(15:0) no later than  $t_{AZ}$  after negating DMARQ.
- d) The host shall assert STOP within  $t_{LI}$  after the device has negated DMARQ. The host shall not negate STOP again until after the Ultra DMA burst is terminated.
- e) The host shall negate HDMARDY- within  $t_{LI}$  after the device has negated DMARQ. The host shall continue to negate HDMARDY- until the Ultra DMA burst is terminated. Steps (d) and (e) may occur at the same time.
- f) The host shall drive DD(15:0) no sooner than  $t_{ZAH}$  after the device has negated DMARQ. For this step, the host may first drive DD(15:0) with the result of the host CRC calculation (see 9.15);
- g) If DSTROBE is negated, the device shall assert DSTROBE within  $t_{LI}$  after the host has asserted STOP. No data shall be transferred during this assertion. The host shall ignore this transition on DSTROBE. DSTROBE shall remain asserted until the Ultra DMA burst is terminated.
- h) If the host has not placed the result of the host CRC calculation on DD(15:0) since first driving DD(15:0) during (f), the host shall place the result of the host CRC calculation on DD(15:0) (see 9.15).
- i) The host shall negate DMACK- no sooner than  $t_{MLI}$  after the device has asserted DSTROBE and negated DMARQ and the host has asserted STOP and negated HDMARDY-, and no sooner than  $t_{DVS}$  after the host places the result of the host CRC calculation on DD(15:0).
- j) The device shall latch the host's CRC data from DD(15:0) on the negating edge of DMACK-.
- k) The device shall compare the CRC data received from the host with the results of the device CRC calculation. If a miscompare error occurs during one or more Ultra DMA bursts for any one command, at the end of the command the device shall report the first error that occurred (see 9.15).
- l) The device shall release DSTROBE within  $t_{IORDYZ}$  after the host negates DMACK-.
- m) The host shall not negate STOP nor assert HDMARDY- until at least  $t_{ACK}$  after negating DMACK-.
- n) The host shall not assert DIOR-, CS0-, CS1-, DA2, DA1, or DA0 until at least  $t_{ACK}$  after negating DMACK.

#### 9.13.4.2 Host terminating an Ultra DMA data-in burst

The following steps shall occur in the order they are listed unless otherwise specified. Timing requirements are shown in 10.2.4 and 10.2.4.5.

- a) The host shall not initiate Ultra DMA burst termination until at least one data word of an Ultra DMA burst has been transferred.
- b) The host shall initiate Ultra DMA burst termination by negating HDMARDY-. The host shall continue to negate HDMARDY- until the Ultra DMA burst is terminated.
- c) The device shall stop generating DSTROBE edges within  $t_{RFS}$  of the host negating HDMARDY-.
- d) When operating in Ultra DMA modes 2, 1, or 0: If the host negates HDMARDY- within  $t_{SR}$  after the device has generated a DSTROBE edge, then the host shall be prepared to receive zero or one additional data words; or, if the host negates HDMARDY- greater than  $t_{SR}$  after the device has generated a DSTROBE edge, then the host shall be prepared to receive zero, one or two additional data words. While operating in Ultra DMA modes 4 or 3 the host shall be prepared to receive zero, one, two or three additional data words after negating HDMARDY-. The additional data words are a result of cable round trip delay and  $t_{RFS}$  timing for the device.
- e) The host shall assert STOP no sooner than  $t_{RP}$  after negating HDMARDY-. The host shall not negate STOP again until after the Ultra DMA burst is terminated.
- f) The device shall negate DMARQ within  $t_{LI}$  after the host has asserted STOP. The device shall not assert DMARQ again until after the Ultra DMA burst is terminated.
- g) If DSTROBE is negated, the device shall assert DSTROBE within  $t_{LI}$  after the host has asserted STOP. No data shall be transferred during this assertion. The host shall ignore this transition on DSTROBE. DSTROBE shall remain asserted until the Ultra DMA burst is terminated.
- h) The device shall release DD(15:0) no later than  $t_{AZ}$  after negating DMARQ.
- i) The host shall drive DD(15:0) no sooner than  $t_{ZAH}$  after the device has negated DMARQ. For this step, the host may first drive DD(15:0) with the result of the host CRC calculation (see 9.15).
- j) If the host has not placed the result of the host CRC calculation on DD(15:0) since first driving DD(15:0) during (9), the host shall place the result of the host CRC calculation on DD(15:0) (see 9.15).

- k) The host shall negate DMACK- no sooner than  $t_{MLI}$  after the device has asserted DSTROBE and negated DMARQ and the host has asserted STOP and negated HDMARDY-, and no sooner than  $t_{DVS}$  after the host places the result of the host CRC calculation on DD(15:0).
- l) The device shall latch the host's CRC data from DD(15:0) on the negating edge of DMACK-.
- m) The device shall compare the CRC data received from the host with the results of the device CRC calculation. If a miscompare error occurs during one or more Ultra DMA burst for any one command, at the end of the command, the device shall report the first error that occurred (see 9.15) .
- n) The device shall release DSTROBE within  $t_{IORDYZ}$  after the host negates DMACK-.
- o) The host shall neither negate STOP nor assert HDMARDY- until at least  $t_{ACK}$  after the host has negated DMACK-.
- p) The host shall not assert DIOR-, CS0-, CS1-, DA2, DA1, or DA0 until at least  $t_{ACK}$  after negating DMACK.

## 9.14 Ultra DMA data-out commands

### 9.14.1 Initiating an Ultra DMA data-out burst

The following steps shall occur in the order they are listed unless otherwise specified. Timing requirements are shown in 10.2.4 and 10.2.4.6.

- a) The host shall keep DMACK- in the negated state before an Ultra DMA burst is initiated.
- b) The device shall assert DMARQ to initiate an Ultra DMA burst when DMACK- is negated.
- c) Steps (c), (d), and (e) may occur in any order or at the same time. The host shall assert STOP.
- d) The host shall assert HSTROBE.
- e) The host shall negate CS0-, CS1-, DA2, DA1, and DA0. The host shall keep CS0-, CS1-, DA2, DA1, and DA0 negated until after negating DMACK- at the end of the burst.
- f) Steps (c), (d), and (e) shall have occurred at least  $t_{ACK}$  before the host asserts DMACK-. The host shall keep DMACK- asserted until the end of an Ultra DMA burst.
- g) The device may negate DDMARDY-  $t_{IORDY}$  after the host has asserted DMACK-. Once the device has negated DDMARDY-, the device shall not release DDMARDY- until after the host has negated DMACK- at the end of an Ultra DMA burst.
- h) The host shall negate STOP within  $t_{ENV}$  after asserting DMACK-. The host shall not assert STOP until after the first negation of HSTROBE.
- i) The device shall assert DDMARDY- within  $t_{LI}$  after the host has negated STOP. After asserting DMARQ and DDMARDY- the device shall not negate either signal until after the first negation of HSTROBE by the host.
- j) The host shall drive the first word of the data transfer onto DD(15:0). This step may occur any time during Ultra DMA burst initiation.
- k) To transfer the first word of data: the host shall negate HSTROBE no sooner than  $t_{LI}$  after the device has asserted DDMARDY-. The host shall negate HSTROBE no sooner than  $t_{DVS}$  after the driving the first word of data onto DD(15:0).

### 9.14.2 The data-out transfer

The following steps shall occur in the order they are listed unless otherwise specified. Timing requirements are shown in 10.2.4 and 10.2.4.7.

- a) The host shall drive a data word onto DD(15:0).
- b) The host shall generate an HSTROBE edge to latch the new word no sooner than  $t_{DVS}$  after changing the state of DD(15:0). The host shall generate an HSTROBE edge no more frequently than  $t_{CYC}$  for the selected Ultra DMA mode. The host shall not generate two rising or falling HSTROBE edges more frequently than  $t_{2CYC}$  for the selected Ultra DMA mode.
- c) The host shall not change the state of DD(15:0) until at least  $t_{DVH}$  after generating an HSTROBE edge to latch the data.
- d) The host shall repeat steps (a), (b), and (c) until the Ultra DMA burst is paused or terminated by the device or host.

### 9.14.3 Pausing an Ultra DMA data-out burst

The following steps shall occur in the order they are listed unless otherwise specified. Timing requirements are shown in 10.2.4 and 10.2.4.8.

#### 9.14.3.1 Host pausing an Ultra DMA data-out burst

- a) The host shall not pause an Ultra DMA burst until at least one data word of an Ultra DMA burst has been transferred.
- b) The host shall pause an Ultra DMA burst by not generating an HSTROBE edge. If the host is ready to terminate the Ultra DMA burst, see 9.14.4.1.
- c) The host shall resume an Ultra DMA burst by generating an HSTROBE edge.

#### 9.14.3.2 Device pausing an Ultra DMA data-out burst

- a) The device shall not pause an Ultra DMA burst until at least one data word of an Ultra DMA burst has been transferred.
- b) The device shall pause an Ultra DMA burst by negating DDMARDY-.
- c) The host shall stop generating HSTROBE edges within  $t_{RFS}$  of the device negating DDMARDY-.
- d) When operating in Ultra DMA modes 2, 1, or 0: If the device negates DDMARDY- within  $t_{SR}$  after the host has generated an HSTROBE edge, then the device shall be prepared to receive zero or one additional data words; or, if the device negates DDMARDY- greater than  $t_{SR}$  after the host has generated an HSTROBE edge, then the device shall be prepared to receive zero, one or two additional data words. While operating in Ultra DMA modes 4 or 3 the device shall be prepared to receive zero, one, two or three additional data words after negating DDMARDY-. The additional data words are a result of cable round trip delay and  $t_{RFS}$  timing for the host.
- e) The device shall resume an Ultra DMA burst by asserting DDMARDY-.

### 9.14.4 Terminating an Ultra DMA data-out burst

#### 9.14.4.1 Host terminating an Ultra DMA data-out burst

The following steps shall occur in the order they are listed unless otherwise specified. Timing requirements are shown in 10.2.4 and 10.2.4.9.

- a) The host shall initiate termination of an Ultra DMA burst by not generating additional HSTROBE edges.
- b) The host shall assert STOP no sooner than  $t_{SS}$  after the last generated an HSTROBE edge. The host shall not negate STOP again until after the Ultra DMA burst is terminated.
- c) The device shall negate DMARQ within  $t_L$  after the host asserts STOP. The device shall not assert DMARQ again until after the Ultra DMA burst is terminated.
- d) The device shall negate DDMARDY- within  $t_{LI}$  after the host has negated STOP. The device shall not assert DDMARDY- again until after the Ultra DMA burst termination is complete.
- e) If HSTROBE is negated, the host shall assert HSTROBE within  $t_{LI}$  after the device has negated DMARQ. No data shall be transferred during this assertion. The device shall ignore this transition on HSTROBE. HSTROBE shall remain asserted until the Ultra DMA burst is terminated.
- f) The host shall place the result of the host CRC calculation on DD(15:0) (see 9.15).
- g) The host shall negate DMACK- no sooner than  $t_{MLI}$  after the host has asserted HSTROBE and STOP and the device has negated DMARQ and DDMARDY-, and no sooner than  $t_{bVS}$  after placing the result of the host CRC calculation on DD(15:0).
- h) The device shall latch the host's CRC data from DD(15:0) on the negating edge of DMACK-.
- i) The device shall compare the CRC data received from the host with the results of the device CRC calculation. If a miscompare error occurs during one or more Ultra DMA bursts for any one command, at the end of the command, the device shall report the first error that occurred (see 9.15).
- j) The device shall release DDMARDY- within  $t_{IORDYZ}$  after the host has negated DMACK-.
- k) The host shall neither negate STOP nor negate HSTROBE until at least  $t_{ACK}$  after negating DMACK-.
- l) The host shall not assert DIOW-, CS0-, CS1-, DA2, DA1, or DA0 until at least  $t_{ACK}$  after negating DMACK.

#### 9.14.4.2 Device terminating an Ultra DMA data-out burst

Burst termination is completed when the termination protocol has been executed and DMACK- negated.

The device shall terminate an Ultra DMA burst before command completion.

The following steps shall occur in the order they are listed unless otherwise specified. Timing requirements are shown in 10.2.4 and 10.2.4.10.

- a) The device shall not initiate Ultra DMA burst termination until at least one data word of an Ultra DMA burst has been transferred.
- b) The device shall initiate Ultra DMA burst termination by negating DDMARDY-.
- c) The host shall stop generating an HSTROBE edges within  $t_{RFS}$  of the device negating DDMARDY-.
- d) When operating in Ultra DMA modes 2, 1, or 0: If the device negates DDMARDY- within  $t_{SR}$  after the host has generated an HSTROBE edge, then the device shall be prepared to receive zero or one additional data words; or, if the device negates DDMARDY- greater than  $t_{SR}$  after the host has generated an HSTROBE edge, then the device shall be prepared to receive zero, one or two additional data words. While operating in Ultra DMA modes 4 or 3 the device shall be prepared to receive zero, one, two or three additional data words after negating DDMARDY-. The additional data words are a result of cable round trip delay and  $t_{RFS}$  timing for the host.
- e) The device shall negate DMARQ no sooner than  $t_{RP}$  after negating DDMARDY-. The device shall not assert DMARQ again until after DMACK- is negated.
- f) The host shall assert STOP within  $t_{L}$  after the device has negated DMARQ. The host shall not negate STOP again until after the Ultra DMA burst is terminated.
- g) If HSTROBE is negated, the host shall assert HSTROBE within  $t_{L}$  after the device has negated DMARQ. No data shall be transferred during this assertion. The device shall ignore this transition of HSTROBE. HSTROBE shall remain asserted until the Ultra DMA burst is terminated.
- h) The host shall place the result of the host CRC calculation on DD(15:0) (see 9.15).
- i) The host shall negate DMACK- no sooner than  $t_{MLI}$  after the host has asserted HSTROBE and STOP and the device has negated DMARQ and DDMARDY-, and no sooner than  $t_{VVS}$  after placing the result of the host CRC calculation on DD(15:0).
- j) The device shall latch the host's CRC data from DD(15:0) on the negating edge of DMACK-.
- k) The device shall compare the CRC data received from the host with the results of the device CRC calculation. If a miscompare error occurs during one or more Ultra DMA bursts for any one command, at the end of the command, the device shall report the first error that occurred (see 9.15).
- l) The device shall release DDMARDY- within  $t_{ORDYZ}$  after the host has negated DMACK-.
- m) The host shall neither negate STOP nor HSTROBE until at least  $t_{ACK}$  after negating DMACK-.
- n) The host shall not assert DIOW-, CS0-, CS1-, DA2, DA1, or DA0 until at least  $t_{ACK}$  after negating DMACK.

#### 9.15 Ultra DMA CRC rules

The following is a list of rules for calculating CRC, determining if a CRC error has occurred during an Ultra DMA burst, and reporting any error that occurs at the end of a command.

- 1) Both the host and the device shall have a 16-bit CRC calculation function.
- 2) Both the host and the device shall calculate a CRC value for each Ultra DMA burst.
- 3) The CRC function in the host and the device shall be initialized with a seed of 4ABAh at the beginning of an Ultra DMA burst before any data is transferred.
- 4) For each STROBE transition used for data transfer, both the host and the device shall calculate a new CRC value by applying the CRC polynomial to the current value of their individual CRC functions and the word being transferred. CRC is not calculated for the return of STROBE to the asserted state after the Ultra DMA burst termination request has been acknowledged.
- 5) At the end of any Ultra DMA burst the host shall send the results of the host CRC calculation function to the device on DD(15:0) with the negation of DMACK-.



- 6) The device shall then compare the CRC data from the host with the calculated value in its own CRC calculation function. If the two values do not match, the device shall save the error. A subsequent Ultra DMA burst for the same command that does not have a CRC error shall not clear an error saved from a previous Ultra DMA burst in the same command. If a miscompare error occurs during one or more Ultra DMA bursts for any one command, the device shall report the first error that occurred. If the device detects that a CRC error has occurred before data transfer for the command is complete, the device may complete the transfer and report the error or abort the command and report the error.
- 7) For READ DMA, WRITE DMA, READ DMA QUEUED, or WRITE DMA QUEUED commands: When a CRC error is detected, the error shall be reported by setting both ICRC and ABRT (bit 7 and bit 2 in the Error register) to one. ICRC is defined as the "Interface CRC Error" bit. The host shall respond to this error by re-issuing the command.
- 8) For a REQUEST SENSE packet command (see SPC T10/955D for definition of the REQUEST SENSE command): When a CRC error is detected during transmission of sense data the device shall complete the command and set CHK to one. The device shall report a Sense key of 0Bh (ABORTED COMMAND). The device shall preserve the original sense data that was being returned when the CRC error occurred. The device shall not report any additional sense data specific to the CRC error. The host device driver may retry the REQUEST SENSE command or may consider this an unrecoverable error and retry the command that caused the Check Condition.
- 9) For any packet command except a REQUEST SENSE command: If a CRC error is detected, the device shall complete the command with CHK set to one. The device shall report a Sense key of 04h (HARDWARE ERROR). The sense data supplied via a subsequent REQUEST SENSE command shall report an ASC/ASCQ value of 08h/03h (LOGICAL UNIT COMMUNICATION CRC ERROR). Host drivers should retry the command that resulted in a HARDWARE ERROR.
- 10) A host may send extra data words on the last Ultra DMA burst of a data-out command. If a device determines that all data has been transferred for a command, the device shall terminate the burst. A device may have already received more data words than were required for the command. These extra words are used by both the host and the device to calculate the CRC, but, on an Ultra DMA data-out burst, the extra words shall be discarded by the device.
- 11) The CRC generator polynomial is:  $G(X) = X^{16} + X^{12} + X^5 + 1$ . Table 47 describes the equations for 16-bit parallel generation of the resulting polynomial (based on a word boundary).

NOTE – Since no bit clock is available, the recommended approach for calculating CRC is to use a word clock derived from the bus strobe. The combinational logic is then equivalent to shifting sixteen bits serially through the generator polynomial where DD0 is shifted in first and DD15 is shifted in last.

NOTE – If excessive CRC errors are encountered while operating in an Ultra mode, the host should select a slower Ultra mode. Caution: CRC errors are detected and reported only while operating in an Ultra mode.

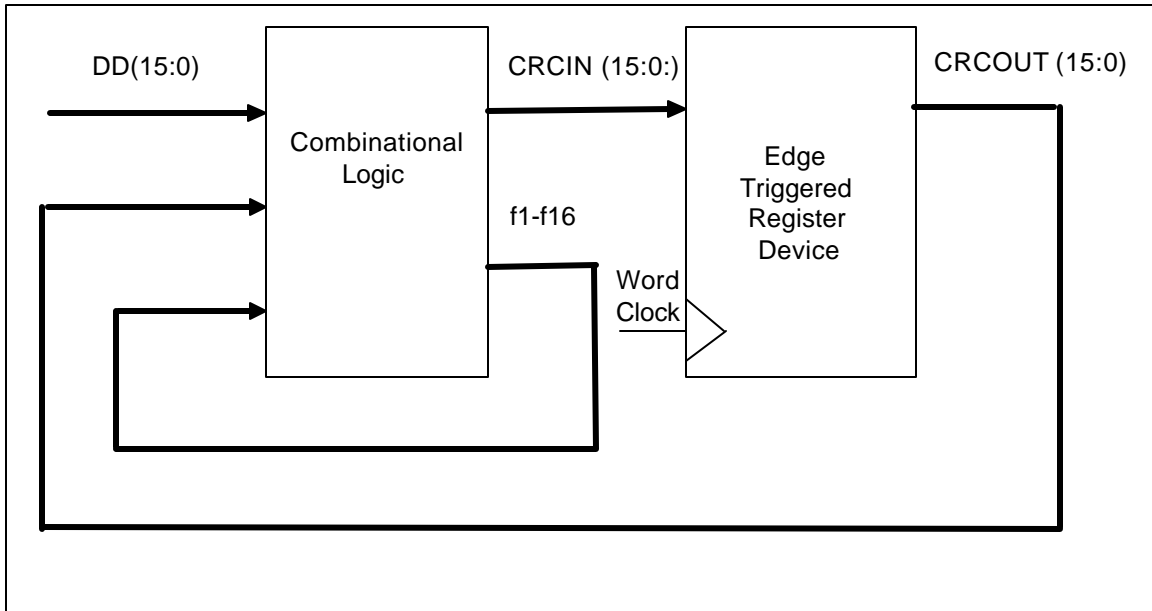


Figure 42 - Example Parallel CRC generator

Table 47 - Equations for parallel generation of a CRC polynomial

|  |                                       |
|--|---------------------------------------|
| CRCIN0 = f16   | CRCIN8 = f8 XOR f13                   |
| CRCIN1 = f15   | CRCIN9 = f7 XOR f12                   |
| CRCIN2 = f14   | CRCIN10 = f6 XOR f11                  |
| CRCIN3 = f13   | CRCIN11 = f5 XOR f10                  |
| CRCIN4 = f12   | CRCIN12 = f4 XOR f9 XOR f16           |
| CRCIN5 = f11 XOR f16                                       | CRCIN13 = f3 XOR f8 XOR f15           |
| CRCIN6 = f10 XOR f15                                       | CRCIN14 = f2 XOR f7 XOR f14           |
| CRCIN7 = f9 XOR f14  | CRCIN15 = f1 XOR f6 XOR f13           |
| f1 = DD0 XOR CRCOUT15                                      | f9 = DD8 XOR CRCOUT7 XOR f5           |
| f2 = DD1 XOR CRCOUT14                                      | f10 = DD9 XOR CRCOUT6 XOR f6          |
| f3 = DD2 XOR CRCOUT13                                      | f11 = DD10 XOR CRCOUT5 XOR f7         |
| f4 = DD3 XOR CRCOUT12                                      | f12 = DD11 XOR CRCOUT4 XOR f1 XOR f8  |
| f5 = DD4 XOR CRCOUT11 XOR f1                               | f13 = DD12 XOR CRCOUT3 XOR f2 XOR f9  |
| f6 = DD5 XOR CRCOUT10 XOR f2                               | f14 = DD13 XOR CRCOUT2 XOR f3 XOR f10 |
| f7 = DD6 XOR CRCOUT9 XOR f3                                | f15 = DD14 XOR CRCOUT1 XOR f4 XOR f11 |
| f8 = DD7 XOR CRCOUT8 XOR f4                                | f16 = DD15 XOR CRCOUT0 XOR f5 XOR f12 |
| NOTES –  |                                       |
| 1 f = feedback   |                                       |
| 2 DD = Data to or from the bus                             |                                       |
| 3 CRCOUT = 16-bit edge triggered result (current CRC)      |                                       |
| 4 CRCOUT(15:0) are sent on matching order bits of DD(15:0) |                                       |
| 5 CRCIN = Output of combinational logic (next CRC)         |                                       |

## 9.16 Single device configurations

### 9.16.1 Device 0 only configurations

In a single device configuration where Device 0 is the only device and the host selects Device 1, Device 0 shall respond as follows:

- 1) A write to the Device Control register shall complete as if Device 0 was the selected device;

- 2) A write to a Command Block register, other than the Command register, shall complete as if Device 0 was selected;
- 3) A write to the Command register shall be ignored, except for EXECUTE DEVICE DIAGNOSTIC;
- 4) A read of the Control Block or Command Block registers, other than the Status or Alternate Status registers, shall complete as if Device 0 was selected;
- 5) A read of the Status or Alternate status register shall return the value 00h.

NOTE – Even though Device 1 is not present, the register content may appear valid for Device 1. Further means may be necessary to determine the existence of Device 1 (e.g., issuing a command).

### 9.16.2 Device 1 only configurations

Host support of Device 1 only configurations is host specific.

In a single device configuration where Device 1 is the only device and the host selects Device 0, Device 1 shall respond to accesses of the Command Block and Control Block registers in the same way would if Device 0 was present. This is because Device 1 cannot determine if Device 0 is, or is not, present.

Host implementation of read and write operations to the Command and Control Block registers of non-existent Device 0 are host specific.

NOTE – The remainder of this subclause is a recommendation for hosts. The host implementor should be aware of the following when supporting Device 1 only configurations:

- 1) Following a hardware reset or software reset, the following steps may be used to reselect Device 1:
  - a) Write to the Device/Head register with DEV bit set to one;
  - b) Using one or more of the Command Block registers that may be both written and read, such as the Sector Count or Sector Number, write a data pattern other than 00h or FFh to the register(s);
  - c) Read the register(s) written in step (b). If the data read is the same as the data written, proceed to step (e);
  - d) Repeat steps (a) to (c) until the data matches in step (c) or until 31 s has past. After 31 s the host may assume that Device 1 is not functioning properly;
  - e) Read the Status register and Error registers. Check the Status and Error register contents for any error conditions that Device 1 may have posted.
- 2) Following the execution of an EXECUTE DEVICE DIAGNOSTIC command, no interrupt pending should be set to signal command completion. After writing the EXECUTE DEVICE DIAGNOSTIC command to the Command register, execute steps (a) to (e) as described in (1) above;
- 3) At all other times, do not write zero into the DEV bit of the Device/Head register. All other commands execute normally.

## 10 Timing

### 10.1 Deskewing

For PIO and Multiword DMA modes all timing values shall be measured at the connector of the selected device. The host shall account for cable skew.

For Ultra DMA modes unless otherwise specified, timing parameters shall be measured at the connector of the host or device to which the parameter applies.

## 10.2 Transfer timing

The minimum cycle time supported by the device in PIO mode 3, 4 and Multiword DMA mode 1, 2 respectively shall always be greater than or equal to the minimum cycle time defined by the associated mode e.g., a device supporting PIO mode 4 timing shall not report a value less than 120 ns, the minimum cycle time defined for PIO mode 4 timings.

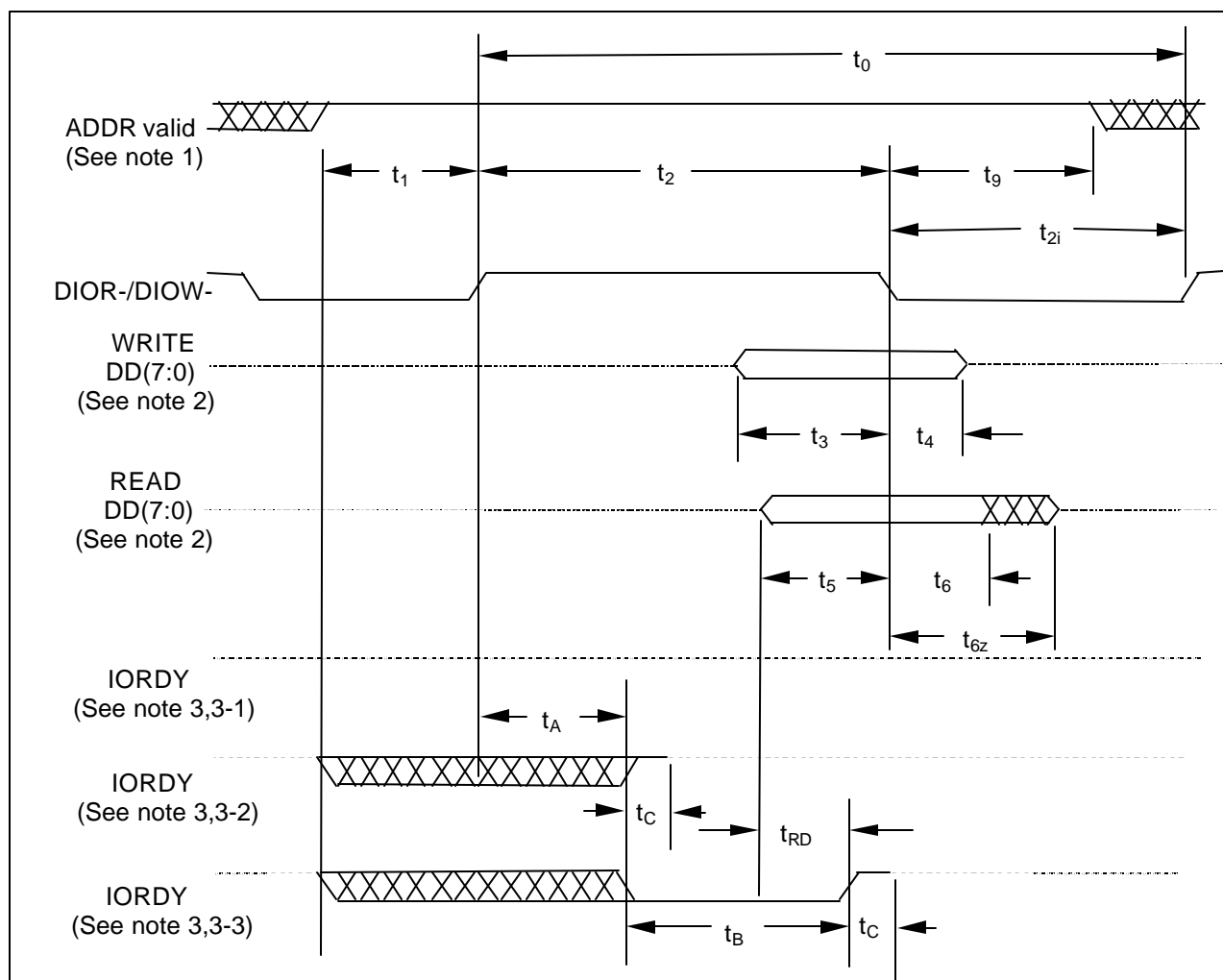
See 3.2.8 for timing diagram conventions.

### 10.2.1 Register transfers

Figure 43 defines the relationships between the interface signals for register transfers. Peripherals reporting support for PIO mode 3 or 4 shall power-up in a PIO mode 0, 1, or 2.

For PIO modes 3 and above, the minimum value of  $t_b$  is specified by word 68 in the IDENTIFY DEVICE parameter list. Table 48 defines the minimum value that shall be placed in word 68.

Both hosts and devices shall support IORDY when PIO mode 3 or 4 are the currently selected mode of operation.



## NOTES –

- 1 Device address consists of signals CS0-, CS1- and DA(2:0)
- 2 Data consists of DD(7:0).
- 3 The negation of IORDY by the device is used to extend the register transfer cycle. The determination of whether the cycle is to be extended is made by the host after  $t_A$  from the assertion of DIOR- or DIOW-. The assertion and negation of IORDY are described in the following three cases:
  - 3-1 Device never negates IORDY, device keeps IORDY released: no wait is generated.
  - 3-2 Device negates IORDY before  $t_A$ , but causes IORDY to be asserted before  $t_A$ . IORDY is released prior to negation and may be asserted for no more than 5 ns before release: no wait generated.
  - 3-3 Device negates IORDY before  $t_A$ . IORDY is released prior to negation and may be asserted for no more than 5 ns before release: wait generated. The cycle completes after IORDY is reasserted. For cycles where a wait is generated and DIOR- is asserted, the device shall place read data on DD(7:0) for  $t_{RD}$  before asserting IORDY.
- 4 DMACK- shall remain negated during a register transfer.

Figure 43 - Register transfer to/from device

**Table 48 - Register transfer to/from device**

| Register transfer timing parameters |   | Mode 0<br>ns | Mode 1<br>ns | Mode 2<br>ns | Mode 3<br>ns | Mode 4<br>ns | Note  |
|-------------------------------------|---|--------------|--------------|--------------|--------------|--------------|-------|
| $t_0$                               | Cycle time (min)  | 600          | 383          | 330          | 180          | 120          | 1,4,5 |
| $t_1$                               | Address valid to DIOR-/DIOW- setup (min)                                    | 70           | 50           | 30           | 30           | 25           |       |
| $t_2$                               | DIOR-/DIOW- pulse width 8-bit (min)   | 290          | 290          | 290          | 80           | 70           | 1     |
| $t_{2i}$                            | DIOR-/DIOW- recovery time (min)   | -            | -            | -            | 70           | 25           | 1     |
| $t_3$                               | DIOW- data setup (min)  | 60           | 45           | 30           | 30           | 20           |       |
| $t_4$                               | DIOW- data hold (min)   | 30           | 20           | 15           | 10           | 10           |       |
| $t_5$                               | DIOR- data setup (min)  | 50           | 35           | 20           | 20           | 20           |       |
| $t_6$                               | DIOR- data hold (min)   | 5            | 5            | 5            | 5            | 5            |       |
| $t_{6Z}$                            | DIOR- data tristate (max)   | 30           | 30           | 30           | 30           | 30           | 2     |
| $t_9$                               | DIOR-/DIOW- to address valid hold (min)                                     | 20           | 15           | 10           | 10           | 10           |       |
| $t_{RD}$                            | Read Data Valid to IORDY active (if IORDY initially low after $t_A$ ) (min) | 0            | 0            | 0            | 0            | 0            |       |
| $t_A$                               | IORDY Setup time  | 35           | 35           | 35           | 35           | 35           | 3     |
| $t_B$                               | IORDY Pulse Width (max)   | 1250         | 1250         | 1250         | 1250         | 1250         |       |
| $t_C$                               | IORDY assertion to release (max)  | 5            | 5            | 5            | 5            | 5            |       |

**NOTES –**

- $t_0$  is the minimum total cycle time,  $t_2$  is the minimum DIOR-/DIOW- assertion time, and  $t_{2i}$  is the minimum DIOR-/DIOW- negation time. A host implementation shall lengthen  $t_2$  and/or  $t_{2i}$  to ensure that  $t_0$  is equal to or greater than the value reported in the devices IDENTIFY DEVICE data. A device implementation shall support any legal host implementation.
- This parameter specifies the time from the negation edge of DIOR- to the time that the data bus is released by the device.
- The delay from the activation of DIOR- or DIOW- until the state of IORDY is first sampled. If IORDY is inactive then the host shall wait until IORDY is active before the register transfer cycle is completed. If the device is not driving IORDY negated at the  $t_A$  after the activation of DIOR- or DIOW-, then  $t_6$  shall be met and  $t_{RD}$  is not applicable. If the device is driving IORDY negated at the time  $t_A$  after the activation of DIOR- or DIOW-, then  $t_{RD}$  shall be met and  $t_5$  is not applicable.
- ATA/ATAPI standards prior to ATA/ATAPI-5 inadvertently specified an incorrect value for mode 2 time  $t_6$  by utilizing the 16-bit PIO value
- Mode shall be selected no faster than the highest mode supported by the slowest device.

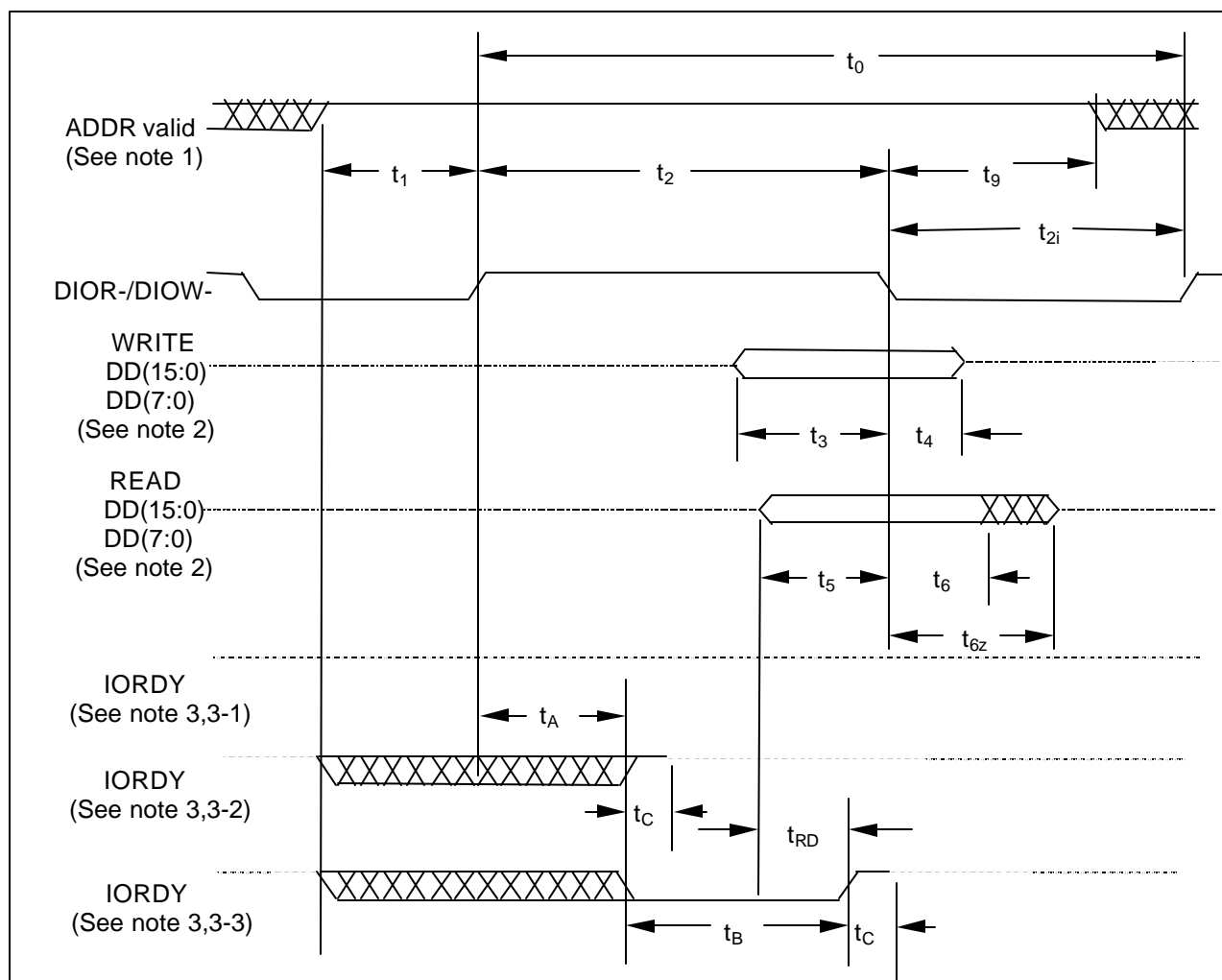
**10.2.2 PIO data transfers**

Figure 44 defines the relationships between the interface signals for PIO data transfers. Peripherals reporting support for PIO mode 3 or 4 shall power-up in a PIO mode 0, 1, or 2.

For PIO modes 3 and above, the minimum value of  $t_6$  is specified by word 68 in the IDENTIFY DEVICE parameter list. Table 49 defines the minimum value that shall be placed in word 68.

IORDY shall be supported when PIO mode 3 or 4 are the current mode of operation.

NOTE – Some devices implementing the PACKET Command feature set prior to ATA/ATAPI-4 power-up in PIO mode 3 and enable IORDY as the default.



## NOTES -

- 1 Device address consists of signals CS0-, CS1- and DA(2:0)
- 2 Data consists of DD(15:0) for all devices except devices implementing the CFA feature set when 8-bit transfers is enabled. In that case, data consists of DD(7:0).
- 3 The negation of IORDY by the device is used to extend the PIO cycle. The determination of whether the cycle is to be extended is made by the host after  $t_A$  from the assertion of DIOR- or DIOW-. The assertion and negation of IORDY are described in the following three cases:
  - 3-1 Device never negates IORDY, devices keeps IORDY released: no wait is generated.
  - 3-2 Device negates IORDY before  $t_A$ , but causes IORDY to be asserted before  $t_A$ . IORDY is released prior to negation and may be asserted for no more than 5 ns before release: no wait generated.
  - 3-3 Device negates IORDY before  $t_A$ . IORDY is released prior to negation and may be asserted for no more than 5 ns before release: wait generated. The cycle completes after IORDY is reasserted. For cycles where a wait is generated and DIOR- is asserted, the device shall place read data on DD(7:0) for  $t_{RD}$  before asserting IORDY.
- 4 DMACK- shall be negated during a PIO data transfer.

Figure 44 - PIO data transfer to/from device

Table 49 - PIO data transfer to/from device

| PIO timing parameters |   | Mode 0<br>ns | Mode 1<br>ns | Mode 2<br>ns | Mode 3<br>ns | Mode 4<br>ns | Note |
|-----------------------|---|--------------|--------------|--------------|--------------|--------------|------|
| $t_0$                 | Cycle time (min)  | 600          | 383          | 240          | 180          | 120          | 1,4  |
| $t_1$                 | Address valid to DIOR-/DIOW- setup (min)                                    | 70           | 50           | 30           | 30           | 25           |      |
| $t_2$                 | DIOR-/DIOW- (min)   | 165          | 125          | 100          | 80           | 70           | 1    |
| $t_{2i}$              | DIOR-/DIOW- recovery time (min)   | -            | -            | -            | 70           | 25           | 1    |
| $t_3$                 | DIOW- data setup (min)  | 60           | 45           | 30           | 30           | 20           |      |
| $t_4$                 | DIOW- data hold (min)   | 30           | 20           | 15           | 10           | 10           |      |
| $t_5$                 | DIOR- data setup (min)  | 50           | 35           | 20           | 20           | 20           |      |
| $t_6$                 | DIOR- data hold (min)   | 5            | 5            | 5            | 5            | 5            |      |
| $t_{6Z}$              | DIOR- data tristate (max)   | 30           | 30           | 30           | 30           | 30           | 2    |
| $t_9$                 | DIOR-/DIOW- to address valid hold (min)                                     | 20           | 15           | 10           | 10           | 10           |      |
| $t_{RD}$              | Read Data Valid to IORDY active (if IORDY initially low after $t_A$ ) (min) | 0            | 0            | 0            | 0            | 0            |      |
| $t_A$                 | IORDY Setup time  | 35           | 35           | 35           | 35           | 35           | 3    |
| $t_B$                 | IORDY Pulse Width (max)   | 1250         | 1250         | 1250         | 1250         | 1250         |      |
| $t_C$                 | IORDY assertion to release (max)  | 5            | 5            | 5            | 5            | 5            |      |

## NOTES –

- $t_0$  is the minimum total cycle time,  $t_2$  is the minimum DIOR-/DIOW- assertion time, and  $t_{2i}$  is the minimum DIOR-/DIOW- negation time. A host implementation shall lengthen  $t_2$  and/or  $t_{2i}$  to ensure that  $t_0$  is equal to or greater than the value reported in the devices IDENTIFY DEVICE data. A device implementation shall support any legal host implementation.
- This parameter specifies the time from the negation edge of DIOR- to the time that the data bus is released by the device.
- The delay from the activation of DIOR- or DIOW- until the state of IORDY is first sampled. If IORDY is inactive then the host shall wait until IORDY is active before the PIO cycle is completed. If the device is not driving IORDY negated at the  $t_A$  after the activation of DIOR- or DIOW-, then  $t_5$  shall be met and  $t_{RD}$  is not applicable. If the device is driving IORDY negated at the time  $t_A$  after the activation of DIOR- or DIOW-, then  $t_{RD}$  shall be met and  $t_5$  is not applicable.
- Mode may be selected at the highest mode for the device if CS(1:0) and AD(2:0) do not change between read or write cycles or selected at the highest mode supported by the slowest device if CS(1:0) or AD(2:0) do change between read or write cycles.



### 10.2.3 Multiword DMA data transfer

Figure 45 through Figure 48 define the timing associated with Multiword DMA transfers.

For Multiword DMA modes 1 and above, the minimum value of  $t_0$  is specified by word 65 in the IDENTIFY DEVICE parameter list. Table 50 defines the minimum value that shall be placed in word 65.

Devices shall power-up with mode 0 as the default Multiword DMA mode.

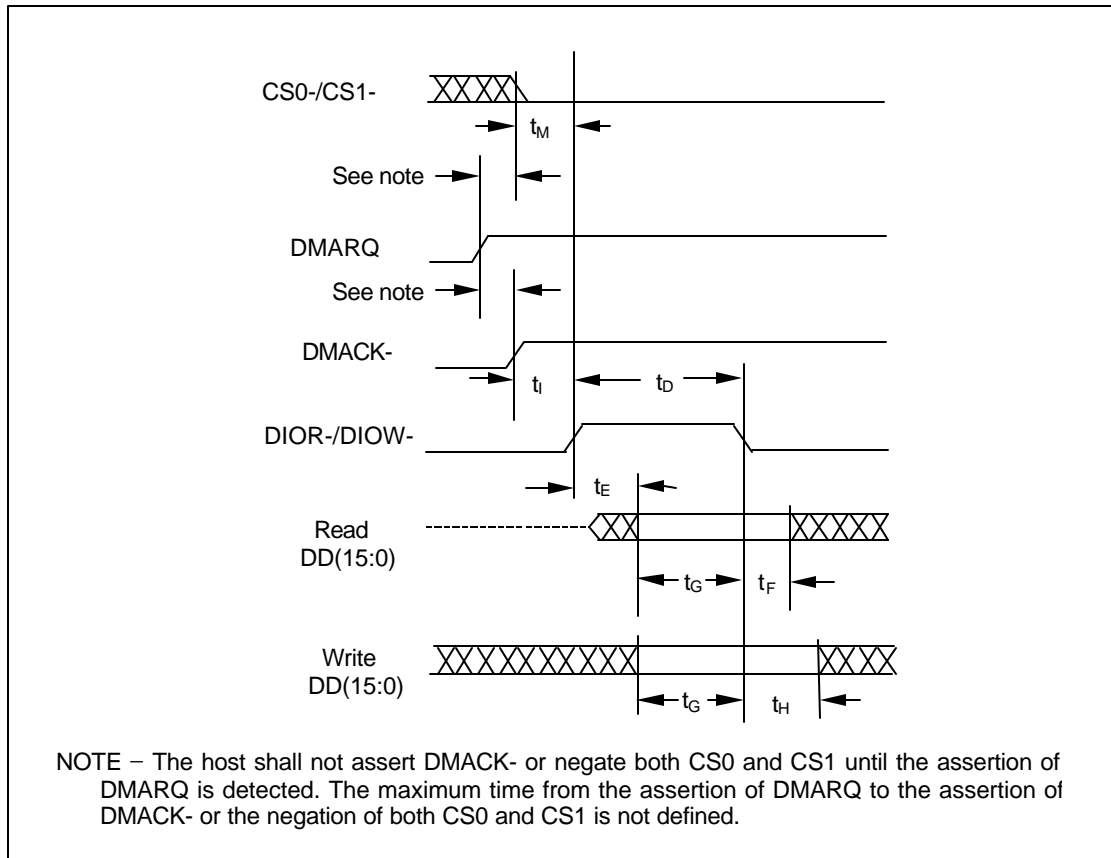
**Table 50 - Multiword DMA data transfer**

| Multiword DMA timing parameters |  | Mode 0<br>ns | Mode 1<br>ns | Mode 2<br>ns | Note     |
|---------------------------------|--|--------------|--------------|--------------|----------|
| $t_0$                           | Cycle time (min)                       | 480          | 150          | 120          | see note |
| $t_D$                           | DIOR-/DIOw- asserted pulse width (min) | 215          | 80           | 70           | see note |
| $t_E$                           | DIOR- data access (max)                | 150          | 60           | 50           |          |
| $t_F$                           | DIOR- data hold (min)                  | 5            | 5            | 5            |          |
| $t_G$                           | DIOR-/DIOw- data setup (min)           | 100          | 30           | 20           |          |
| $t_H$                           | DIOw- data hold (min)                  | 20           | 15           | 10           |          |
| $t_I$                           | DMACK to DIOR-/DIOw- setup (min)       | 0            | 0            | 0            |          |
| $t_J$                           | DIOR-/DIOw- to DMACK hold (min)        | 20           | 5            | 5            |          |
| $t_{KR}$                        | DIOR- negated pulse width (min)        | 50           | 50           | 25           | see note |
| $t_{KW}$                        | DIOw- negated pulse width (min)        | 215          | 50           | 25           | see note |
| $t_{LR}$                        | DIOR- to DMARQ delay (max)             | 120          | 40           | 35           |          |
| $t_{LW}$                        | DIOw- to DMARQ delay (max)             | 40           | 40           | 35           |          |
| $t_M$                           | CS(1:0) valid to DIOR-/DIOw- (min)     | 50           | 30           | 25           |          |
| $t_N$                           | CS(1:0) hold (min)                     | 15           | 10           | 10           |          |
| $t_Z$                           | DMACK- to read data released (max)     | 20           | 25           | 25           |          |

NOTE –  $t_0$  is the minimum total cycle time,  $t_D$  is the minimum DIOR-/DIOw- assertion time, and  $t_k$  ( $t_{KR}$  or  $t_{KW}$ , as appropriate) is the minimum DIOR-/DIOw- negation time. A host shall lengthen  $t_D$  and/or  $t_k$  to ensure that  $t_0$  is equal to the value reported in the devices IDENTIFY DEVICE data.

### 10.2.3.1 Initiating a Multiword DMA data burst

The values for the timings for each of the Multiword DMA modes are contained in Table 50.



**Figure 45 - Initiating a Multiword DMA data transfer**

### 10.2.3.2 Sustaining a Multiword DMA data burst

The values for the timings for each of the Multiword DMA modes are contained in Table 50.

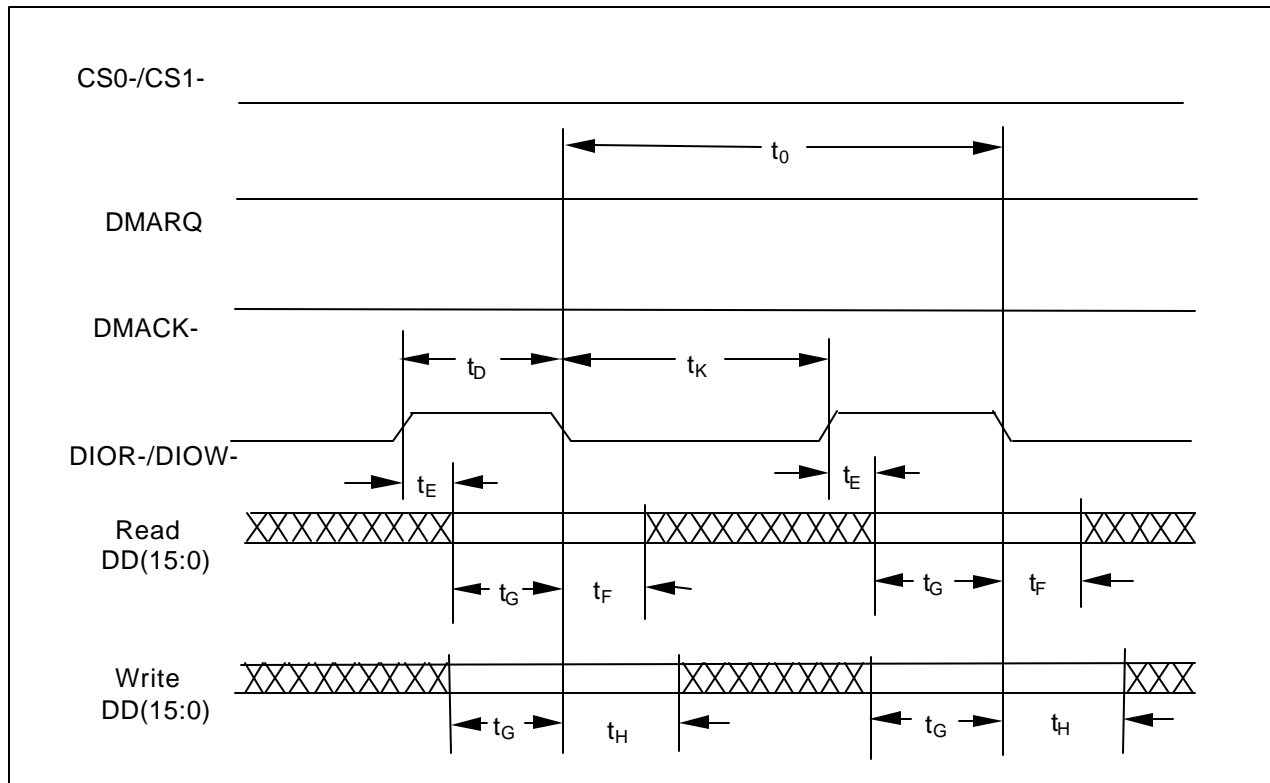
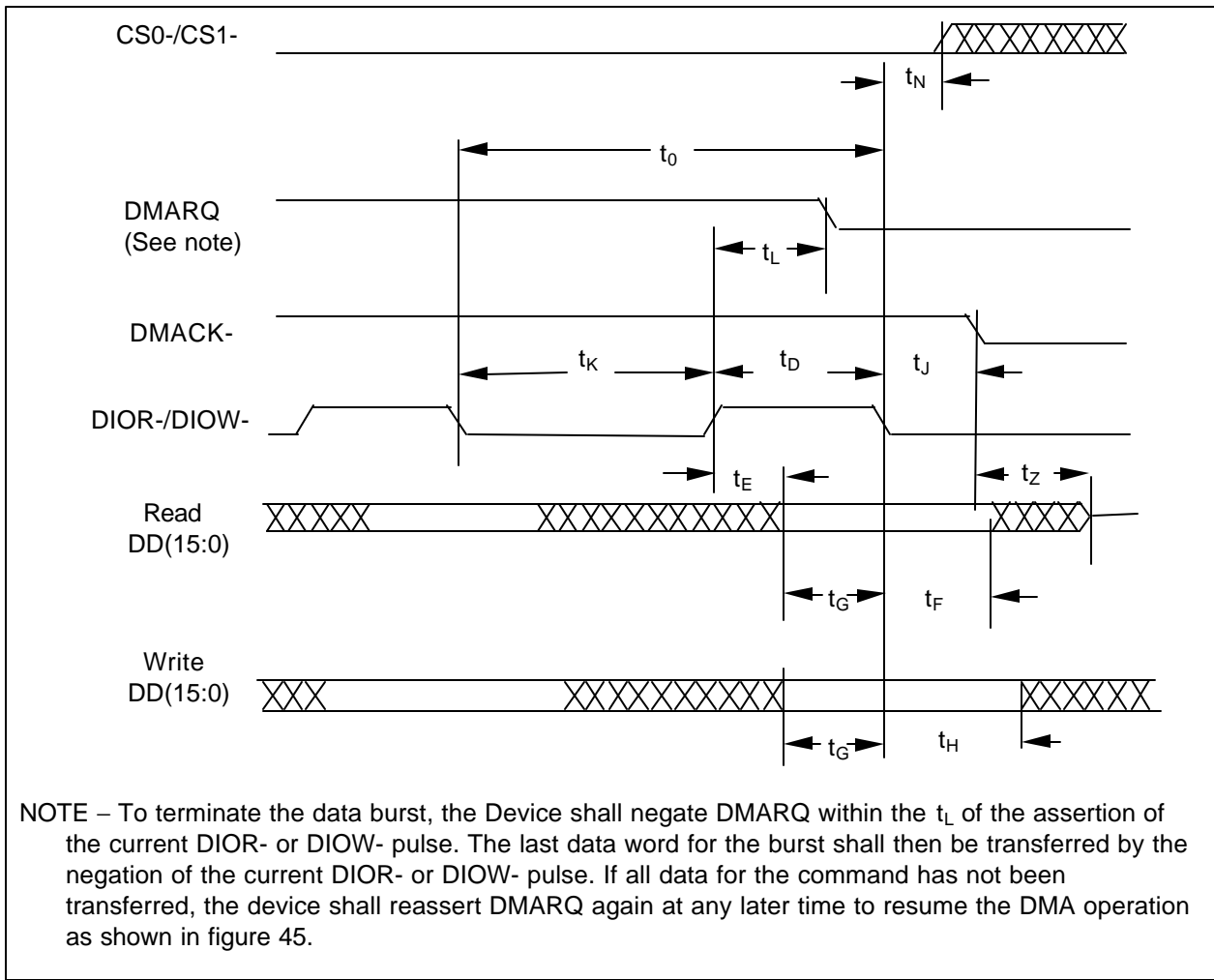


Figure 46 - Sustaining a Multiword DMA data transfer

**10.2.3.3 Device terminating a Multiword DMA data burst**

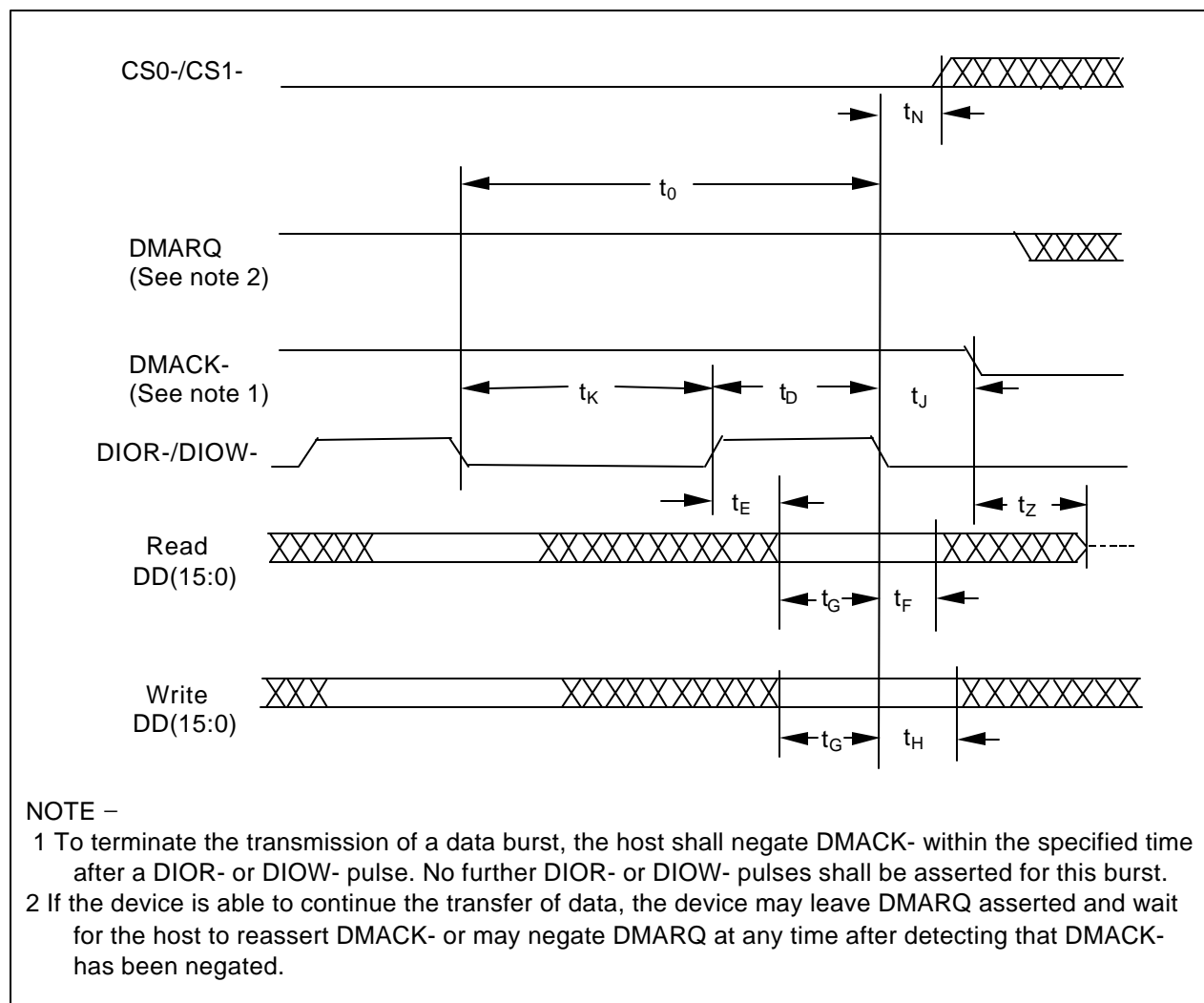
The values for the timings for each of the Multiword DMA modes are contained in Table 50.



**Figure 47 - Device terminating a Multiword DMA data transfer**

### 10.2.3.4 Host terminating a Multiword DMA data burst

The values for the timings for each of the Multiword DMA modes are contained in Table 50.



**Figure 48 - Host terminating a Multiword DMA data transfer**

#### **10.2.4 Ultra DMA data transfer**

Figure 49 through Figure 58 define the timings associated with all phases of Ultra DMA bursts.

Table 51 contains the values for the timings for each of the Ultra DMA modes.

**Table 51 - Ultra DMA data burst timing requirements**

| Name          | Mode 0<br>(in ns) |     | Mode 1<br>(in ns) |     | Mode 2<br>(in ns) |     | Mode 3<br>(in ns) |     | Mode 4<br>(in ns) |     | Comment<br><br>(see Notes 1 and 2)   |
|---------------|-------------------|-----|-------------------|-----|-------------------|-----|-------------------|-----|-------------------|-----|--|
|               | min               | max | min               | max | min               | max | min               | max | min               | max |  |
| $t_{2CYCTYP}$ | 240               |     | 160               |     | 120               |     | 90                |     | 60                |     | Typical sustained average two cycle time   |
| $t_{CYC}$     | 112               |     | 73                |     | 54                |     | 39                |     | 25                |     | Cycle time allowing for asymmetry and clock variations (from STROBE edge to STROBE edge)   |
| $t_{2CYC}$    | 230               |     | 154               |     | 115               |     | 86                |     | 57                |     | Two cycle time allowing for clock variations (from rising edge to next rising edge or from falling edge to next falling edge of STROBE)              |
| $t_{DS}$      | 15                |     | 10                |     | 7                 |     | 7                 |     | 5                 |     | Data setup time at recipient   |
| $t_{DH}$      | 5                 |     | 5                 |     | 5                 |     | 5                 |     | 5                 |     | Data hold time at recipient  |
| $t_{DVS}$     | 70                |     | 48                |     | 30                |     | 20                |     | 6                 |     | Data valid setup time at sender (from data valid until STROBE edge) (see Note 4)   |
| $t_{DVH}$     | 6                 |     | 6                 |     | 6                 |     | 6                 |     | 6                 |     | Data valid hold time at sender (from STROBE edge until data may become invalid) (see Note 4)   |
| $t_{FS}$      | 0                 | 230 | 0                 | 200 | 0                 | 170 | 0                 | 130 | 0                 | 120 | First STROBE time (for device to first negate DSTROBE from STOP during a data in burst)  |
| $t_{LI}$      | 0                 | 150 | 0                 | 150 | 0                 | 150 | 0                 | 100 | 0                 | 100 | Limited interlock time (see Note 3)  |
| $t_{MLI}$     | 20                |     | 20                |     | 20                |     | 20                |     | 20                |     | Interlock time with minimum (see Note 3)   |
| $t_{UI}$      | 0                 |     | 0                 |     | 0                 |     | 0                 |     | 0                 |     | Unlimited interlock time (see Note 3)  |
| $t_{AZ}$      |                   | 10  |                   | 10  |                   | 10  |                   | 10  |                   | 10  | Maximum time allowed for output drivers to release (from asserted or negated)  |
| $t_{ZAH}$     | 20                |     | 20                |     | 20                |     | 20                |     | 20                |     | Minimum delay time required for output   |
| $t_{ZAD}$     | 0                 |     | 0                 |     | 0                 |     | 0                 |     | 0                 |     | drivers to assert or negate (from released)  |
| $t_{ENV}$     | 20                | 70  | 20                | 70  | 20                | 70  | 20                | 55  | 20                | 55  | Envelope time (from DMACK- to STOP and DMARDY- during data in burst initiation and from DMACK to STOP during data out burst initiation)              |
| $t_{SR}$      |                   | 50  |                   | 30  |                   | 20  |                   | NA  |                   | NA  | STROBE-to-DMARDY- time (if DMARDY- is negated before this long after STROBE edge, the recipient shall receive no more than one additional data word) |
| $t_{RFS}$     |                   | 75  |                   | 70  |                   | 60  |                   | 60  |                   | 60  | Ready-to-final-STROBE time (no STROBE edges shall be sent this long after negation of DMARDY-)   |
| $t_{RP}$      | 160               |     | 125               |     | 100               |     | 100               |     | 100               |     | Minimum time to assert STOP or negate DMARQ.   |
| $t_{IORDYZ}$  |                   | 20  |                   | 20  |                   | 20  |                   | 20  |                   | 20  | Maximum time before releasing IORDY  |
| $t_{ZIORDY}$  | 0                 |     | 0                 |     | 0                 |     | 0                 |     | 0                 |     | Minimum time before driving STROBE (see note 5)  |
| $t_{ACK}$     | 20                |     | 20                |     | 20                |     | 20                |     | 20                |     | Setup and hold times for DMACK- (before assertion or negation)   |
| $t_{SS}$      | 50                |     | 50                |     | 50                |     | 50                |     | 50                |     | Time from STROBE edge to negation of DMARQ or assertion of STOP (when sender terminates a burst)   |

**NOTES –**

- 1 Timing parameters shall be measured at the connector of the sender or receiver to which the parameter applies. For example, the sender shall stop generating STROBE edges  $t_{RFS}$  after the negation of DMARDY-. Both STROBE and DMARDY- timing measurements are taken at the connector of the sender.
- 2 All timing measurement switching points (low to high and high to low) shall be taken at 1.5V.
- 3  $t_{UI}$ ,  $t_{MLI}$ , and  $t_{LI}$  indicate sender-to-recipient or recipient-to-sender interlocks, i.e., either sender or recipient is waiting for the other to respond with a signal before proceeding.  $t_{UI}$  is an unlimited interlock that has no maximum time value.  $t_{MLI}$  is a limited time-out that has a defined minimum.  $t_{LI}$  is a limited time-out that has a defined maximum.
- 4 The test load for  $t_{DVS}$  and  $t_{DVH}$  shall be a lumped capacitor load with no cable or receivers. Timing for  $t_{DVS}$  and  $t_{DVH}$  shall be met for all capacitive loads from 15 to 40 pF where all signals have the same capacitive load value.
- 5  $t_{ZIORDY}$  may be greater than  $t_{ENV}$  since the device has a pull up on IORDY- giving it a known state when released.

### 10.2.4.1 Initiating an Ultra DMA data-in burst

The values for the timings for each of the Ultra DMA modes are contained in 10.2.4.

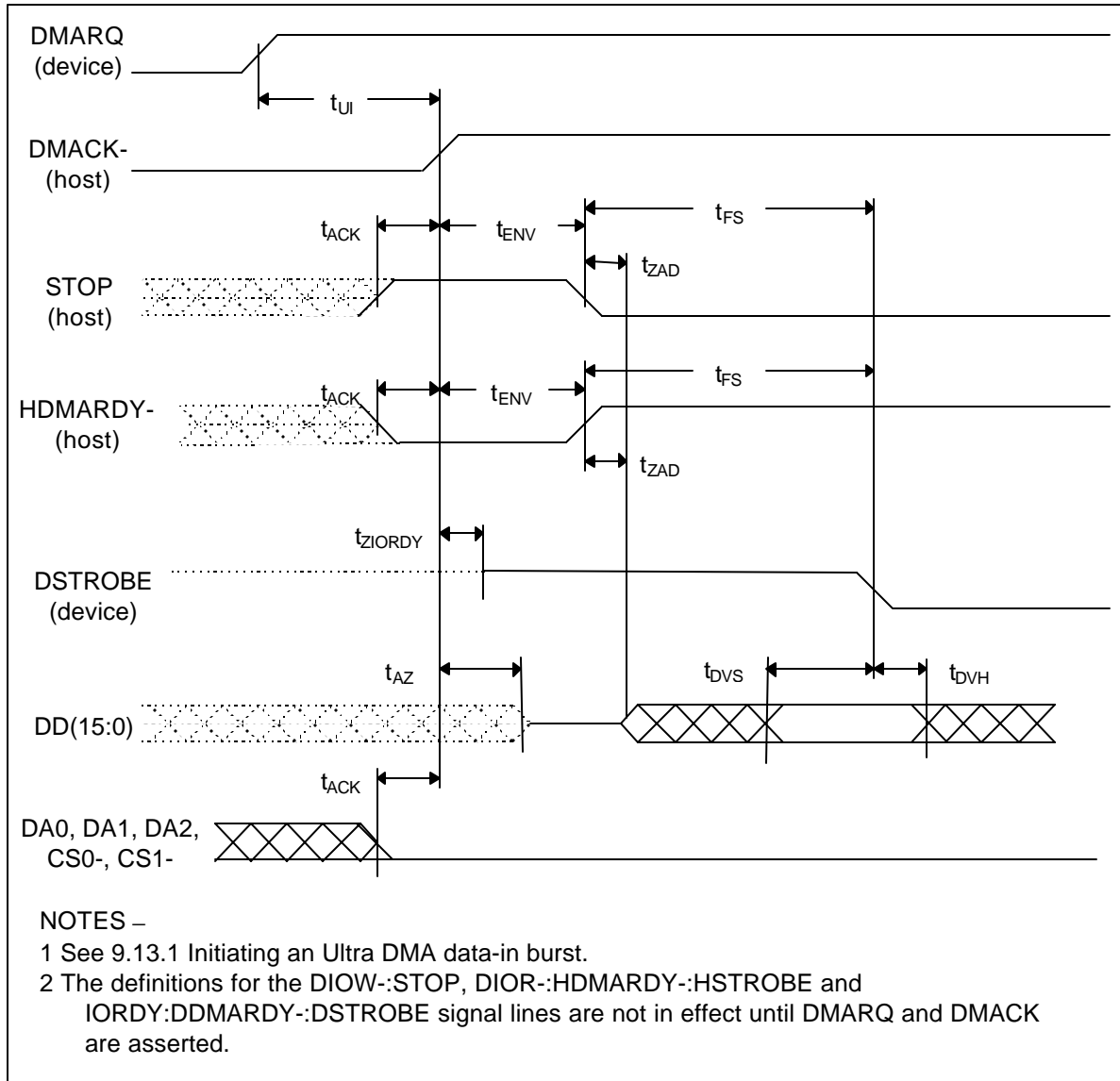
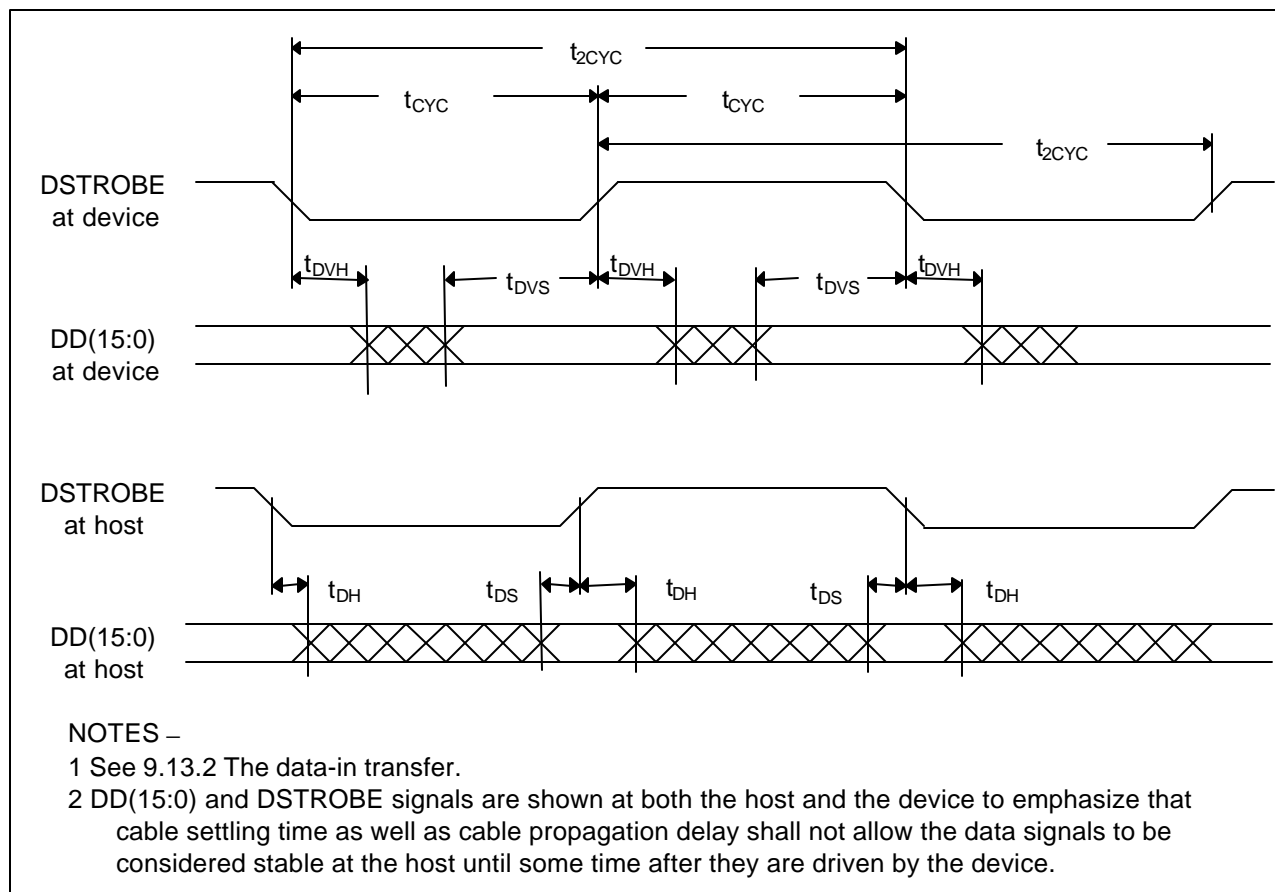


Figure 49 - Initiating an Ultra DMA data-in burst



### 10.2.4.2 Sustained Ultra DMA data-in burst

The values for the timings for each of the Ultra DMA modes are contained in 10.2.4.



**Figure 50 - Sustained Ultra DMA data-in burst**

### 10.2.4.3 Host pausing an Ultra DMA data-in burst

The values for the timings for each of the Ultra DMA modes are contained in 10.2.4.

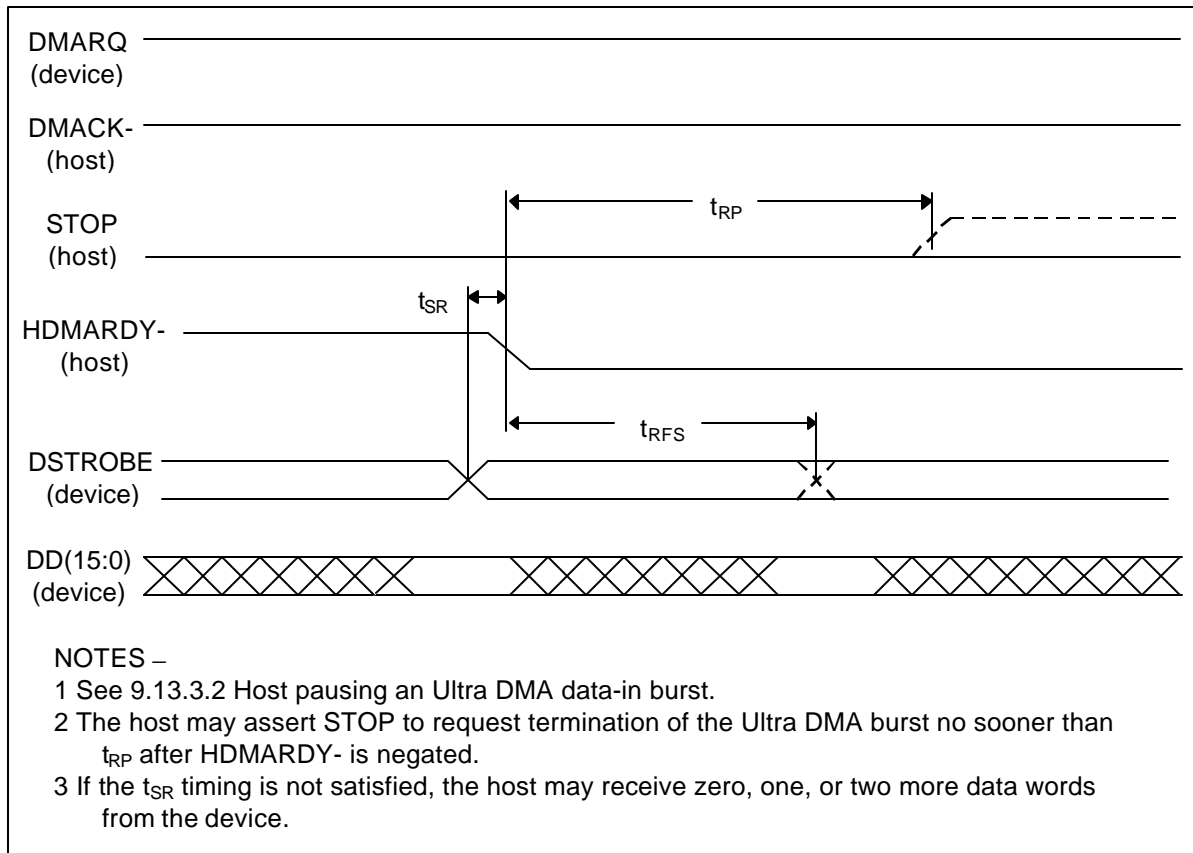


Figure 51 - Host pausing an Ultra DMA data-in burst

### 10.2.4.4 Device terminating an Ultra DMA data-in burst

The values for the timings for each of the Ultra DMA modes are contained in 10.2.4.

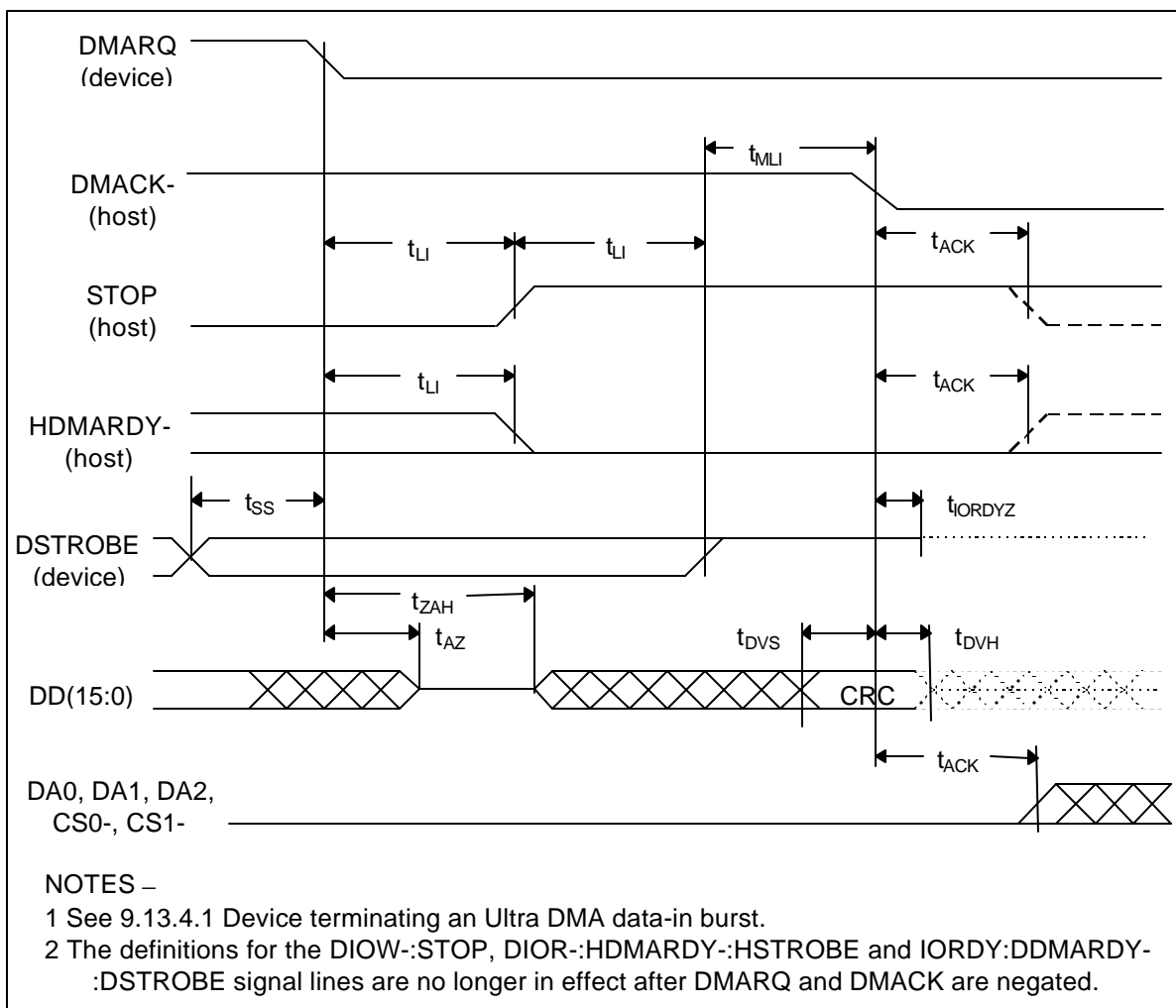
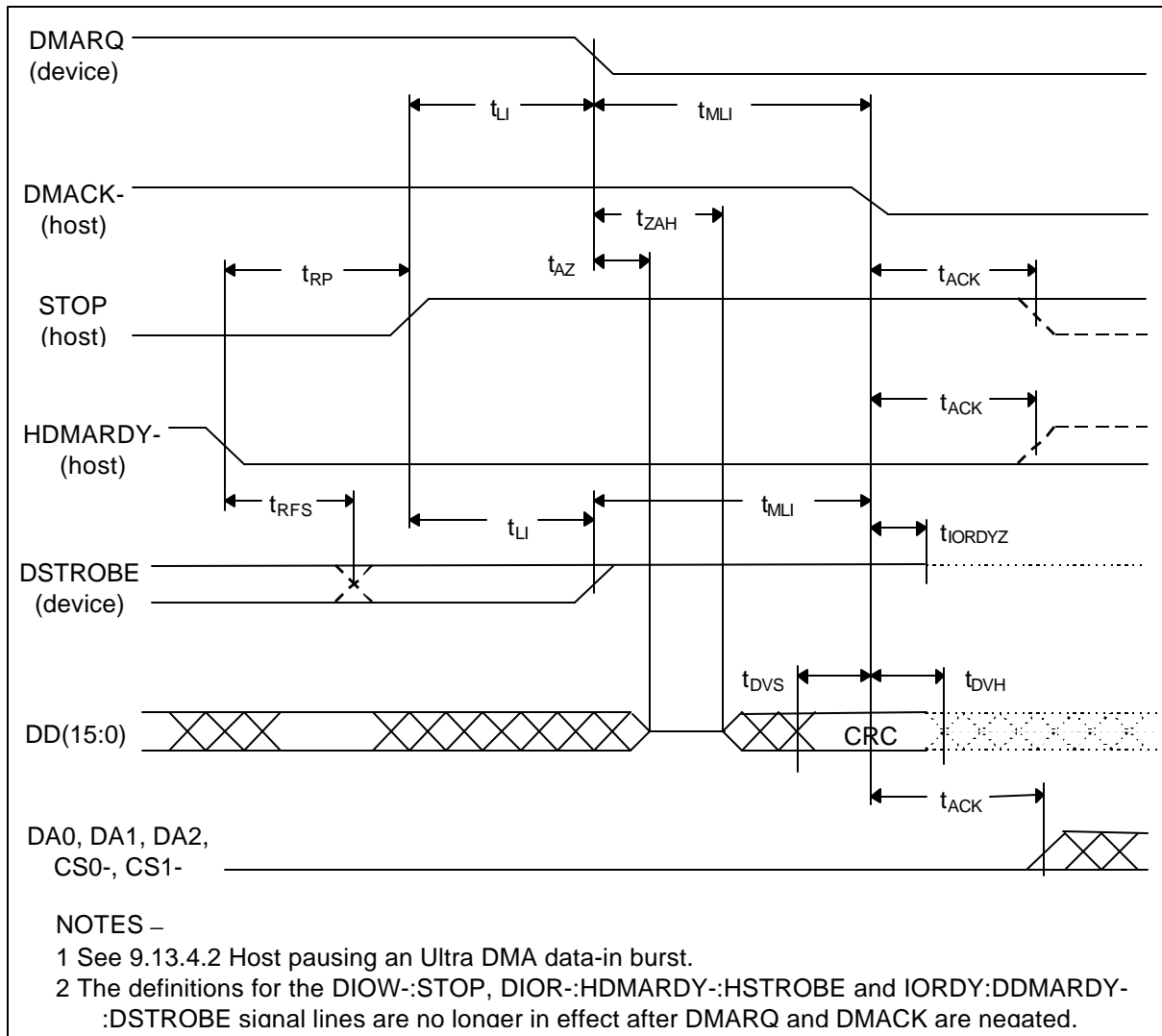


Figure 52 - Device terminating an Ultra DMA data-in burst

### 10.2.4.5 Host terminating an Ultra DMA data-in burst

The values for the timings for each of the Ultra DMA modes are contained in 10.2.4.



**Figure 53 - Host terminating an Ultra DMA data-in burst**

### 10.2.4.6 Initiating an Ultra DMA data-out burst

The values for the timings for each of the Ultra DMA modes are contained in 10.2.4.

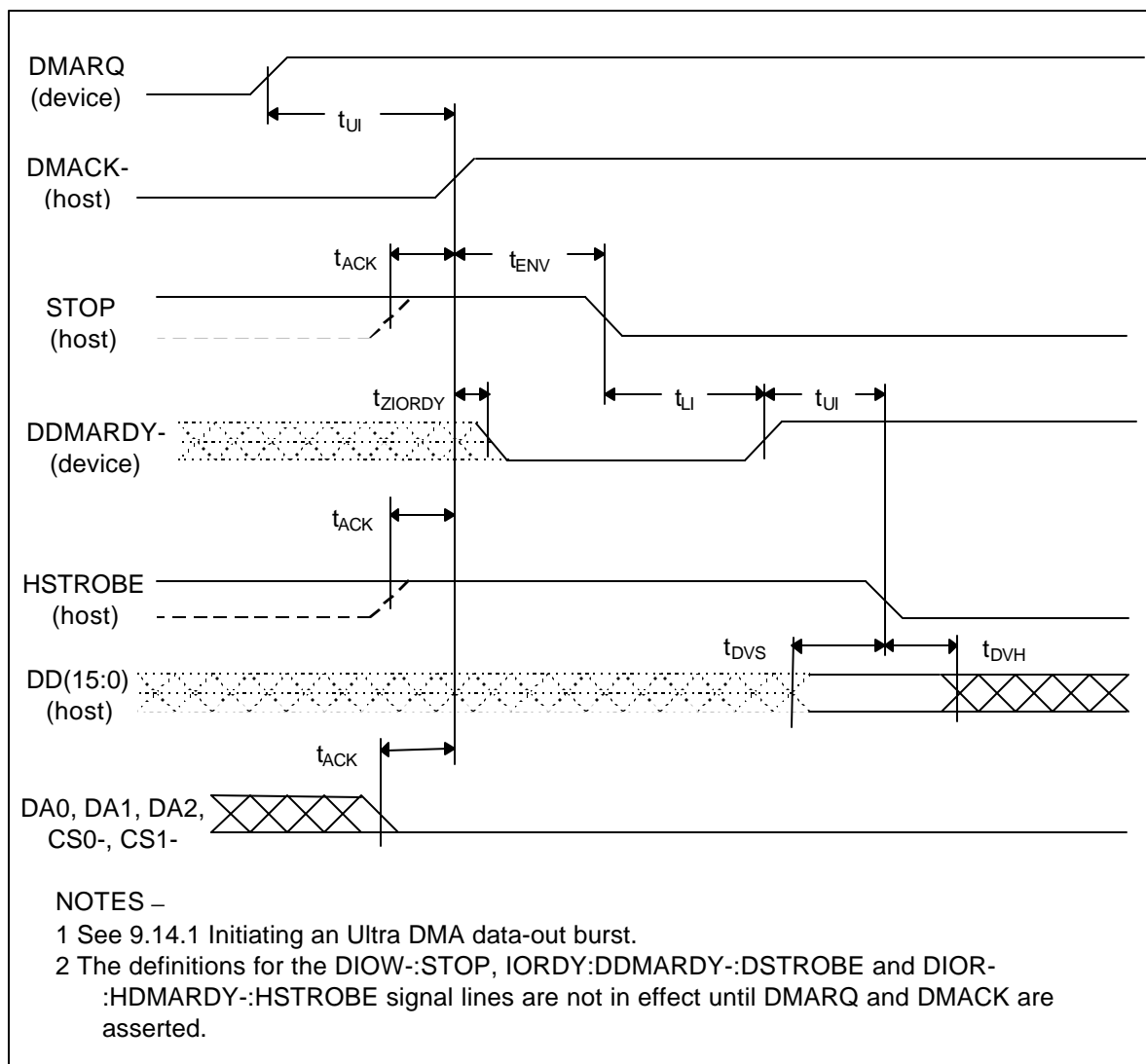


Figure 54 - Initiating an Ultra DMA data-out burst

### 10.2.4.7 Sustained Ultra DMA data-out burst

The values for the timings for each of the Ultra DMA modes are contained in 10.2.4.

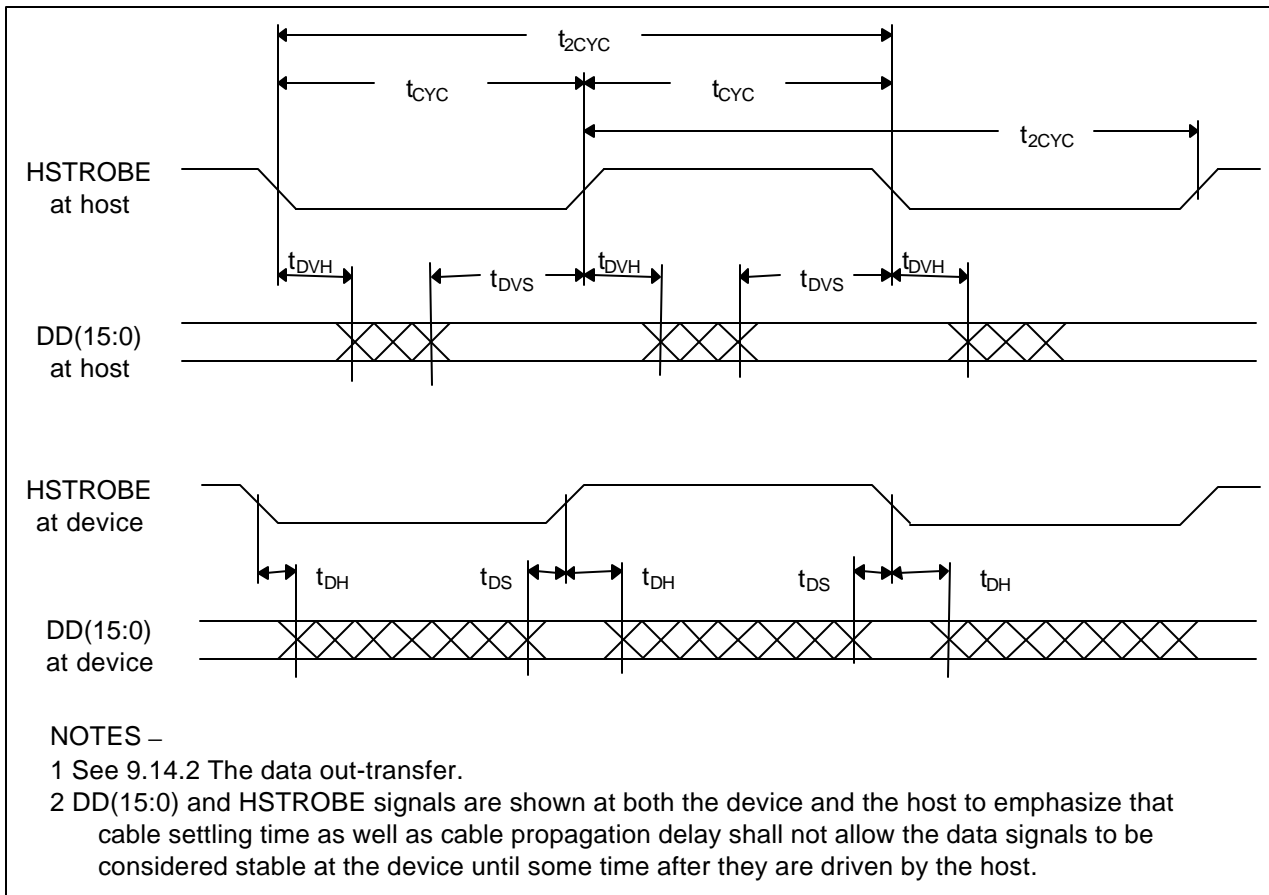


Figure 55 - Sustained Ultra DMA data-out burst

### 10.2.4.8 Device pausing an Ultra DMA data-out burst

The values for the timings for each of the Ultra DMA modes are contained in 10.2.4.

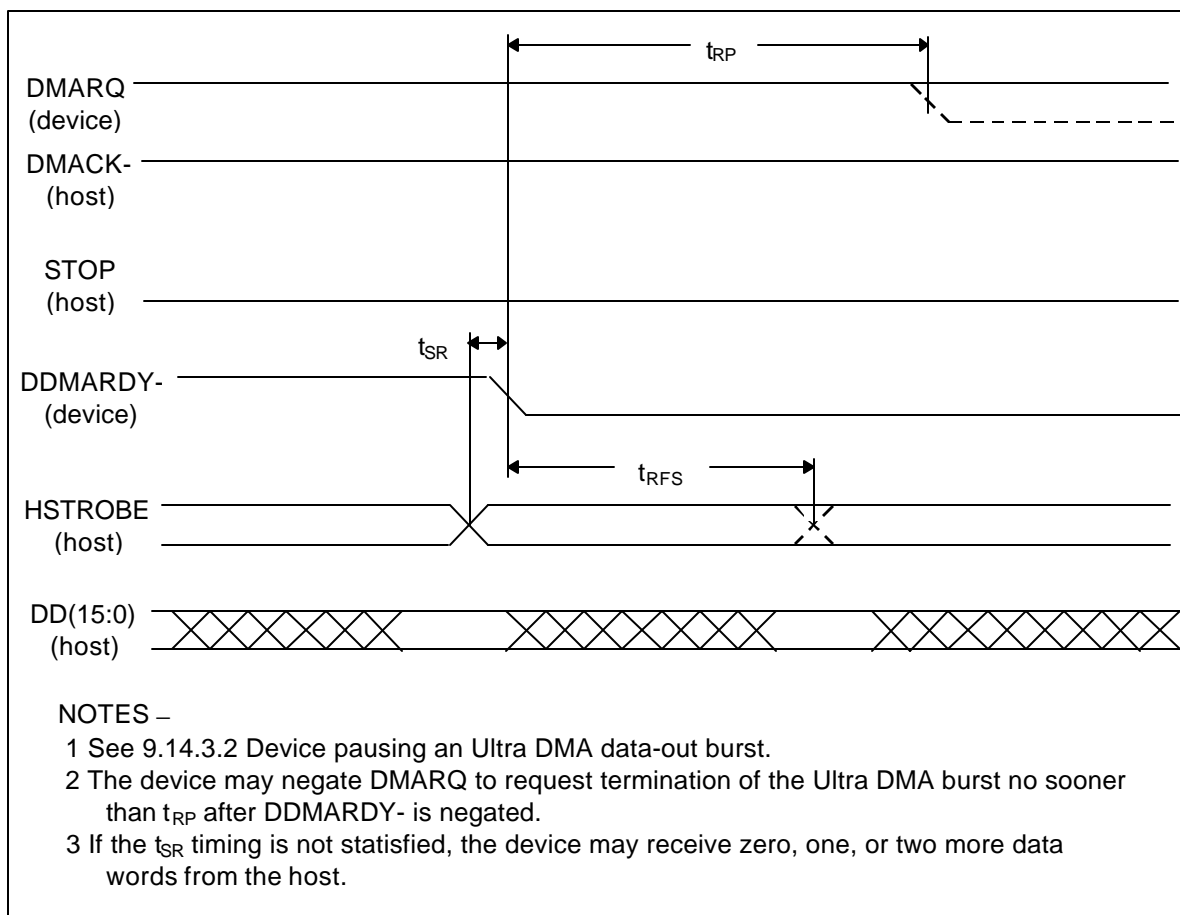


Figure 56 - Device pausing an Ultra DMA data-out burst

### 10.2.4.9 Host terminating an Ultra DMA data-out burst

The values for the timings for each of the Ultra DMA modes are contained in 10.2.4.

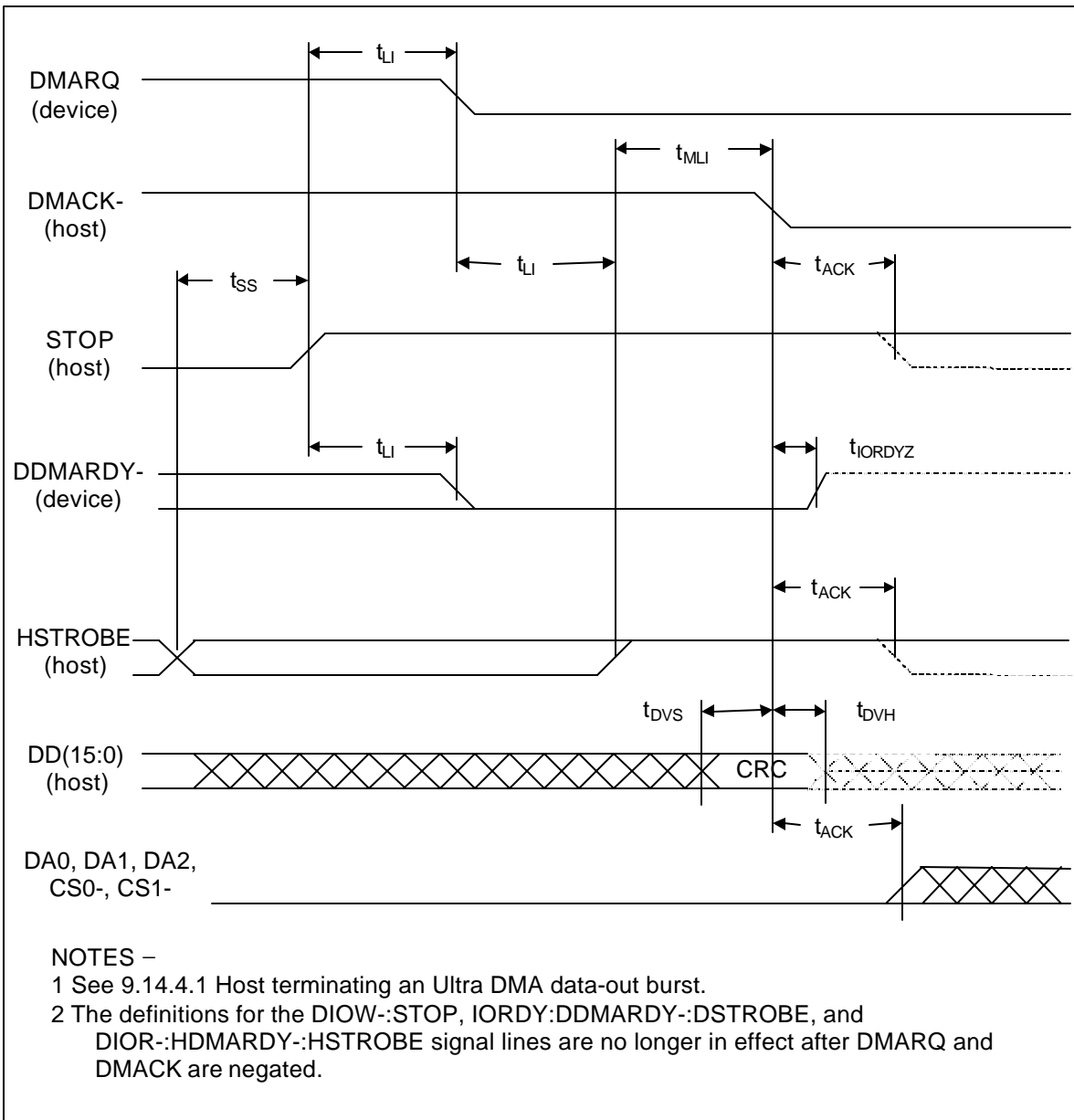


Figure 57 - Host terminating an Ultra DMA data-out burst



### 10.2.4.10 Device terminating an Ultra DMA data-out burst

The values for the timings for each of the Ultra DMA modes are contained in 10.2.4.

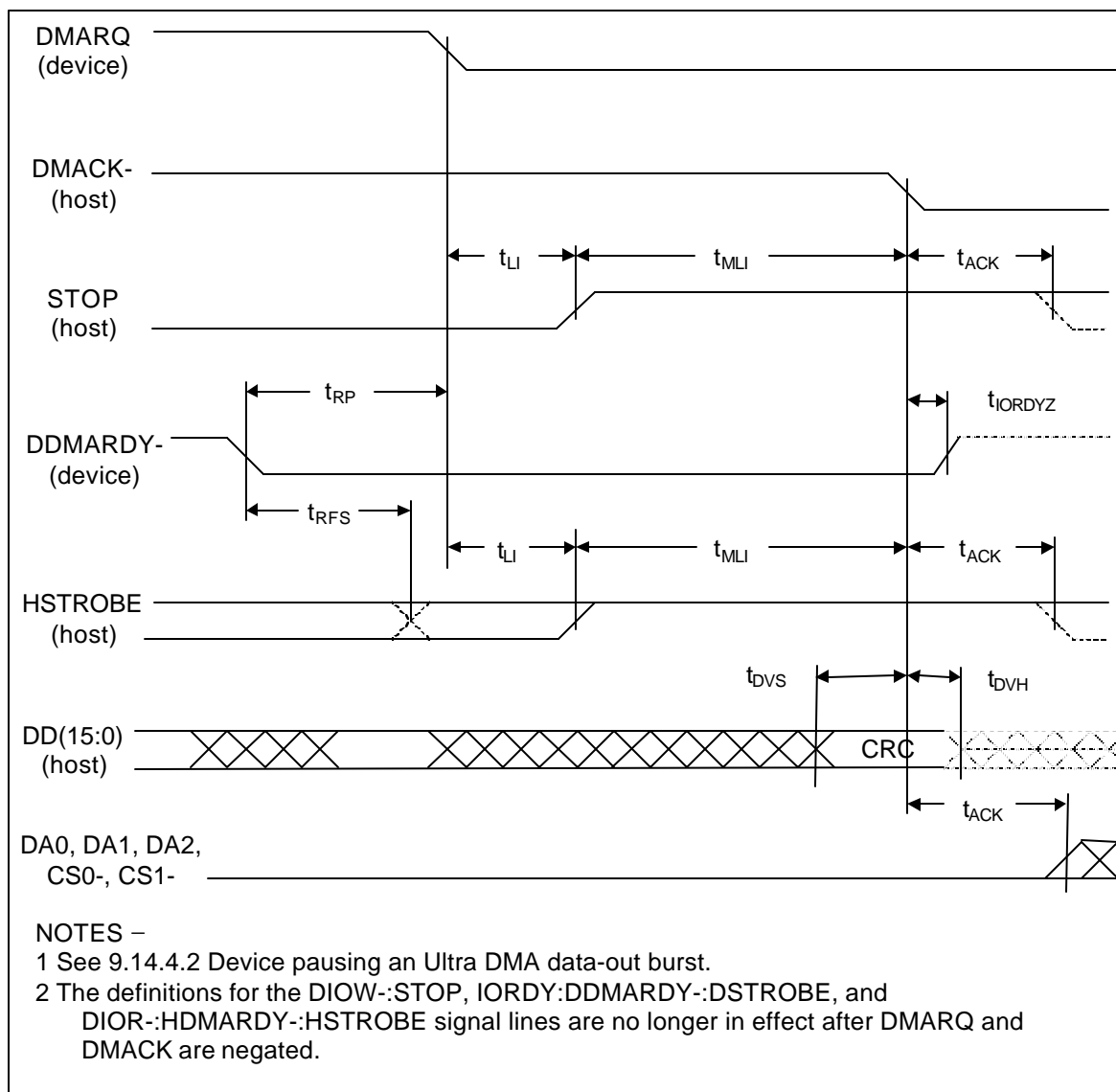


Figure 58 - Device terminating an Ultra DMA data-out burst

**Annex A**  
(normative)  
**Connectors and cable assemblies**

The device shall implement one of the connector options described in this annex.

**A.1 40-pin Connector**

The I/O connector is a 40-pin connector. The header mounted to a host or device is shown in figure A.1 and the dimensions are shown in table A.1. The connector mounted to the end of the cable is shown in figure A.2 and the dimensions are shown in table A.2. Signal assignments on these connectors are shown in table A.3.

The pin locations are governed by the cable plug, not the receptacle. The way in which the receptacle is mounted on the printed circuit board affects the pin positions, and pin 1 shall remain in the same relative position. This means the pin numbers of the receptacle may not reflect the conductor number of the plug. The header receptacle may or may not be polarized, and all the signals are relative to pin 20, which is keyed.

By using the plug positions as primary, a straight cable can connect devices. As shown in figure A.3, conductor 1 on pin 1 of the plug shall be in the same relative position no matter what the receptacle numbering looks like. If receptacle numbering was followed, the cable would have to twist 180 degrees between a device with top-mounted receptacles, and a device with bottom-mounted receptacles.

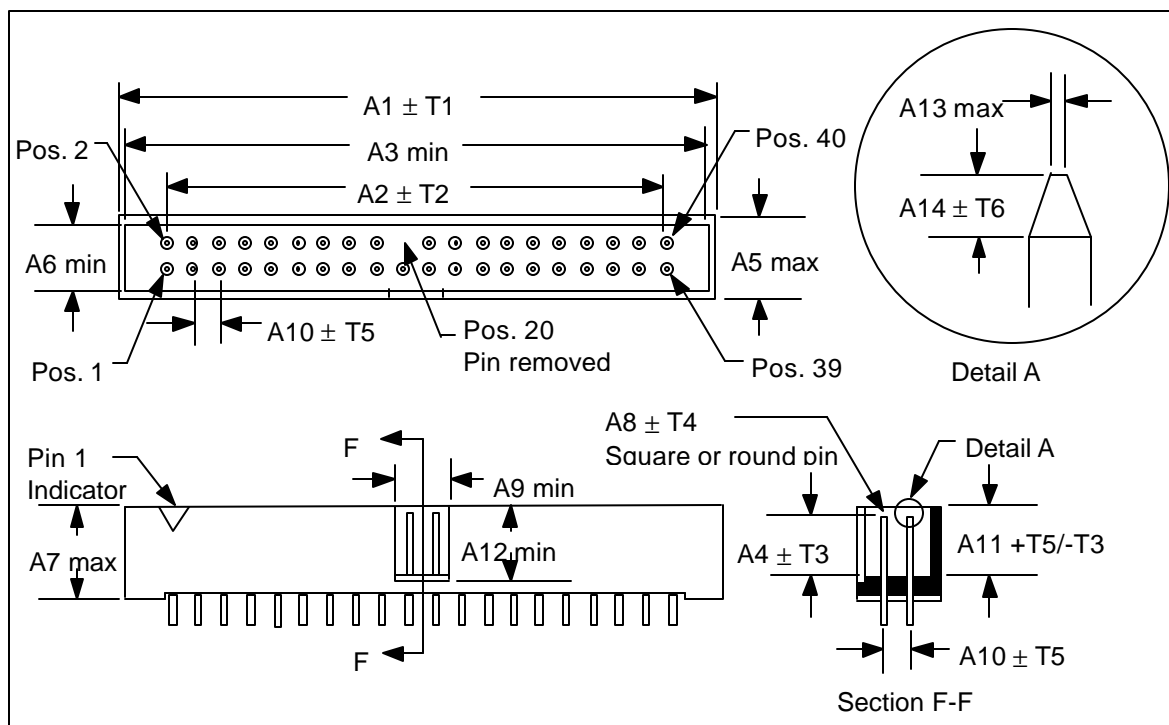
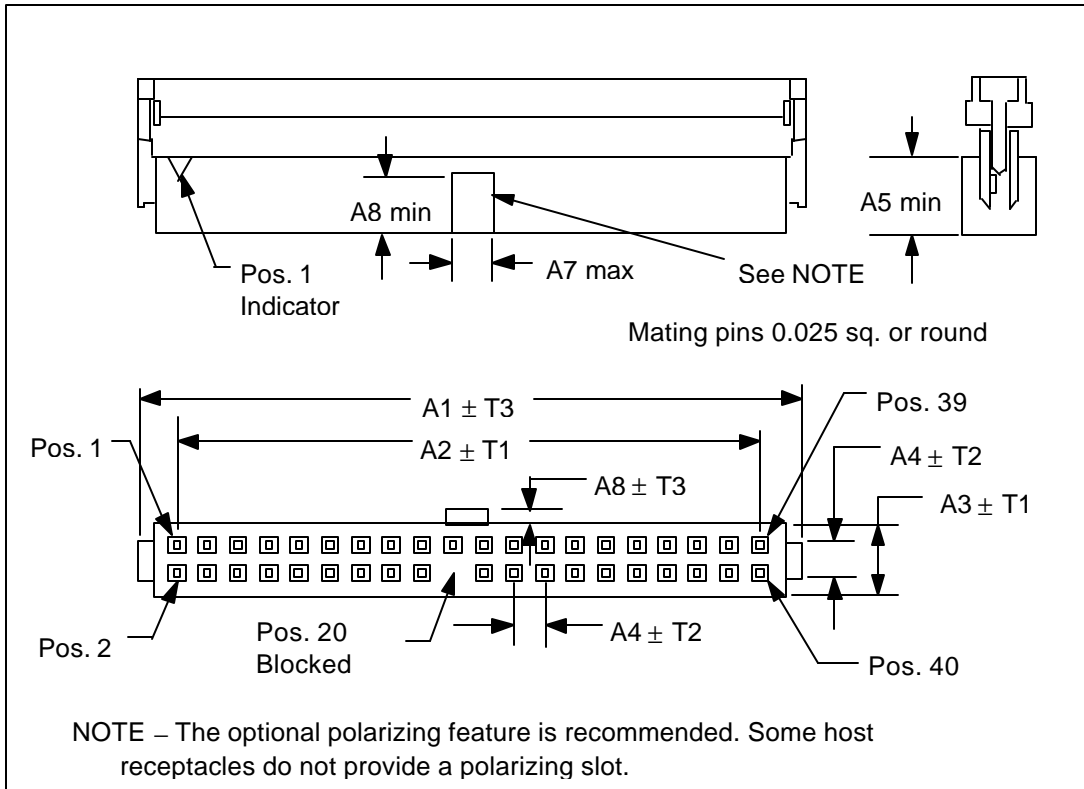


Figure A.1 - Host or device 40-pin I/O header

Table A.1 - Host or device 40-pin I/O header

| Dimension | Millimeters | Inches |
|-----------|-------------|--------|
| A 1       | 58.17       | 2.290  |
| A 2       | 48.26       | 1.900  |
| A 3       | 56.01       | 2.205  |
| A 4       | 5.84        | 0.230  |
| A 5       | 9.55        | 0.376  |
| A 6       | 6.22        | 0.245  |
| A 7       | 10.16       | 0.400  |
| A 8       | 0.64        | 0.025  |
| A 9       | 4.06        | 0.160  |
| A 10      | 2.54        | 0.100  |
| A 11      | 6.35        | 0.250  |
| A 12      | 6.48        | 0.255  |
| A 13      | 0.33        | 0.013  |
| A 14      | 0.58        | 0.023  |
| T 1       | 0.51        | 0.020  |
| T 2       | 0.13        | 0.005  |
| T 3       | 0.25        | 0.010  |
| T 4       | 0.03        | 0.001  |
| T 5       | 0.08        | 0.003  |
| T 6       | 0.18        | 0.007  |



**Figure A.2 - 40-pin I/O cable connector**

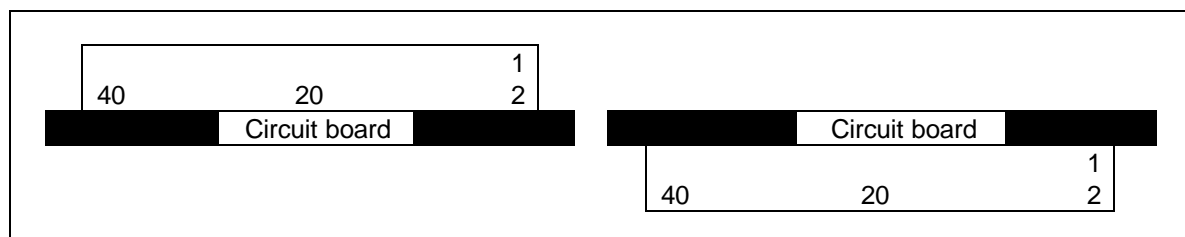
**Table A.2 - 40-pin I/O cable connector**

| Dimension | Millimeters | Inches |
|-----------|-------------|--------|
| A 1       | 55.37       | 2.180  |
| A 2       | 48.26       | 1.900  |
| A 3       | 6.10        | 0.240  |
| A 4       | 2.54        | 0.100  |
| A 5       | 6.48        | 0.255  |
| A 6       | 4.57        | 0.180  |
| A 7       | 3.81        | 0.150  |
| A 8       | 1.27        | 0.050  |
| T 1       | 0.13        | 0.005  |
| T 2       | 0.08        | 0.003  |
| T 3       | 0.25        | 0.010  |

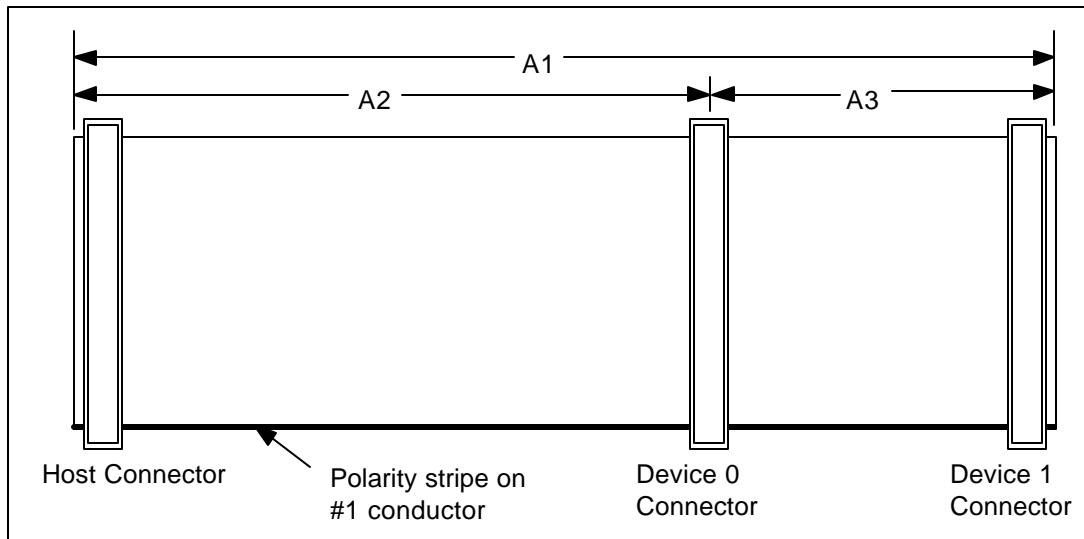
**Table A.3 - 40-pin I/O connector interface signals**

| Signal name                | Connector contact | Conductor |    | Connector contact | Signal name         |
|----------------------------|-------------------|-----------|----|-------------------|---------------------|
| RESET-                     | 1                 | 1         | 2  | 2                 | Ground              |
| DD7                        | 3                 | 3         | 4  | 4                 | DD8                 |
| DD6                        | 5                 | 5         | 6  | 6                 | DD9                 |
| DD5                        | 7                 | 7         | 8  | 8                 | DD10                |
| DD4                        | 9                 | 9         | 10 | 10                | DD11                |
| DD3                        | 11                | 11        | 12 | 12                | DD12                |
| DD2                        | 13                | 13        | 14 | 14                | DD13                |
| DD1                        | 15                | 15        | 16 | 16                | DD14                |
| DD0                        | 17                | 17        | 18 | 18                | DD15                |
| Ground                     | 19                | 19        | 20 | 20                | (keypin)            |
| DMARQ                      | 21                | 21        | 22 | 22                | Ground              |
| DIOW-:STOP                 | 23                | 23        | 24 | 24                | Ground              |
| DIOR-:HDMARDY-<br>:HSTROBE | 25                | 25        | 26 | 26                | Ground              |
| IORDY:DDMARDY-<br>:DSTROBE | 27                | 27        | 28 | 28                | CSEL                |
| DMACK-                     | 29                | 29        | 30 | 30                | Ground              |
| INTRQ                      | 31                | 31        | 32 | 32                | Obsolete (see note) |
| DA1                        | 33                | 33        | 34 | 34                | PDIAG-:CBLID-       |
| DA0                        | 35                | 35        | 36 | 36                | DA2                 |
| CS0-                       | 37                | 37        | 38 | 38                | CS1-                |
| DASP-                      | 39                | 39        | 40 | 40                | Ground              |

NOTE – Pin 32 was defined as IOCS16 in ATA-2, ANSI X3.279-1996.

**Figure A.3 - 40-pin I/O header mounting****A.1.1 40-conductor cable**

The 40-conductor cable assembly is shown in figure A.4 with dimensions in table A.4. Cable capacitance shall not exceed 35 pf.



**Figure A.4 - 40-conductor cable configuration**

**Table A.4 - 40-conductor cable configuration**

| Dimension | Millimeters              | Inches                 |
|-----------|--------------------------|------------------------|
| A 1       | 254.00 min<br>457.20 max | 10.00 min<br>18.00 max |
| A 2       | 127.00 min<br>304.80 max | 5.00 min<br>12.00 max  |
| A 3       | 127.00 min<br>152.40 max | 5.00 min<br>6.00 max   |

**A.1.2 80-conductor cable assembly using the 40-pin connector**

To provide better signal integrity, the optional 80-conductor cable assembly is specified for use with 40-pin connectors. Use of this assembly is mandatory for systems operating at Ultra DMA modes greater than 2. The mating half of the connector is as described in A.1. Every other conductor in the 80-conductor cable is connected to the ground pins in each connector.

The electrical requirements of the 80-conductor ribbon cable are shown in table A.5 and the physical requirements are described in figure A.5 and table A.6.

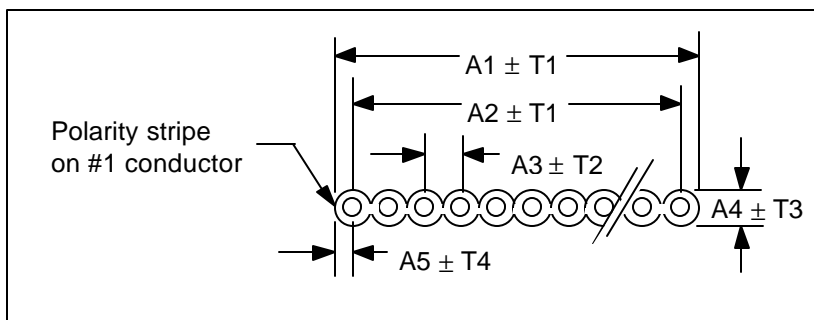
Figure A.6 and table A.7 describe the physical dimensions of the cable assembly. The connector in the center of the cable assembly labeled Device 1 Connector is optional. The System Board connector shall have a blue base and a black or blue retainer. The Device 0 Connector shall have a black base and a black retainer. The Device 1 Connector shall have a gray base and a black or gray retainer. The cable assembly may be printed with connector identifiers.

There are alternative cable conductor to connector pin assignments depending on whether the connector attaches all even or odd conductors to ground. Table A.8 shows the signal assignments for connectors that ground the even numbered conductors. Table A.9 shows the signal assignments for connectors that ground the odd numbered conductors. Only one connector type, even or odd, shall be used in a given cable assembly. Connectors shall be labeled as grounding the even or odd conductors as shown in figure A.7. Cable assemblies conforming to table A.8 are interchangeable with cable assemblies conforming to table A.9.

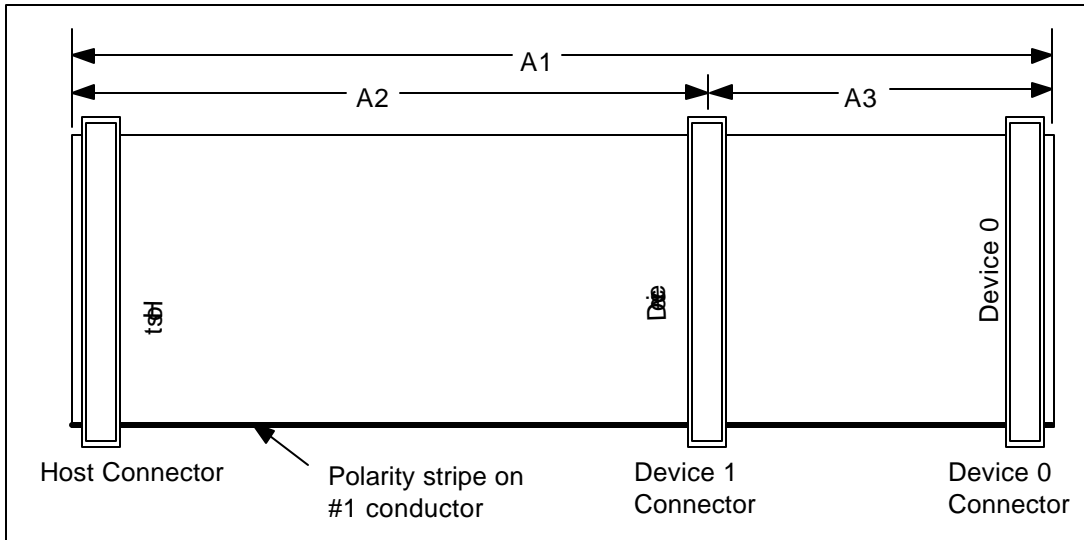
All connectors shall have position 20 blocked to provide keying. Pin 28 in Device 1 Connector shall not be attached to any cable conductor, the connector contact may be removed to meet this requirement (see 5.2.13.2). Pin 34 in the Host Connector shall not be attached to any cable conductor and shall be attached to Ground within the connector (see 6.7).

**Table A.5 - 80-conductor cable electrical requirements**

|                        |              |           |
|------------------------|--------------|-----------|
| Conductor              |              | 30 AWG    |
| Ground-signal-ground   |              |           |
| Single ended impedance | ( $\Omega$ ) | 70-90     |
| Capacitance            | (pF/ft)      | 13-22     |
|                        | (pF/m)       | 42-72     |
| Inductance             | ( $\mu$ H)   | 0.08-0.16 |
| Propagation delay      | (nsec/ft)    | 1.35-1.65 |
|                        | (nsec/m)     | 4.43-5.41 |

**Figure A.5 - 80-conductor ribbon cable****Table A.6 - 80-conductor ribbon cable**

| Dimension | Millimeters | Inches |
|-----------|-------------|--------|
| A 1       | 50.800      | 2.000  |
| A 2       | 50.165      | 1.975  |
| A 3       | 0.635       | 0.025  |
| A 4       | 0.6858      | 0.027  |
| A 5       | 0.3175      | 0.0125 |
| T 1       | 0.127       | 0.005  |
| T 2       | 0.0406      | 0.0016 |
| T 3       | 0.0508      | 0.002  |
| T 4       | 0.102       | 0.004  |



**Figure A.6 - 80-conductor cable configuration**

**Table A.7 - 80-conductor cable configuration**

| Dimension                                    | Millimeters | Inches    |
|--|-------------|-----------|
| A 1  | 457.20 max  | 18.00 max |
| A 2  | 127.00 min  | 5.00 min  |
| A 3  | 152.40 max  | 6.00 max  |
| A2 min shall be greater than or equal to A3. |             |           |



**Table A.8 - Signal assignments for connectors grounding even conductors**

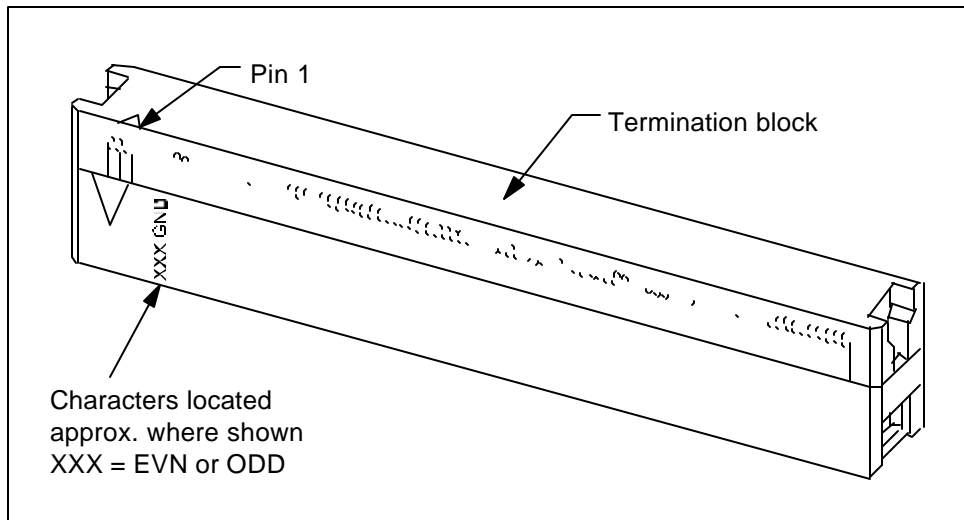
| Signal name | Connector contact | Conductor |    | Signal name |
|-------------|-------------------|-----------|----|-------------|
| RESET-      | 1                 | 1         | 2  | Ground      |
| Ground      | 2                 | 3         | 4  | Ground      |
| DD7         | 3                 | 5         | 6  | Ground      |
| DD8         | 4                 | 7         | 8  | Ground      |
| DD6         | 5                 | 9         | 10 | Ground      |
| DD9         | 6                 | 11        | 12 | Ground      |
| DD5         | 7                 | 13        | 14 | Ground      |
| DD10        | 8                 | 15        | 16 | Ground      |
| DD4         | 9                 | 17        | 18 | Ground      |
| DD11        | 10                | 19        | 20 | Ground      |
| DD3         | 11                | 21        | 22 | Ground      |
| DD12        | 12                | 23        | 24 | Ground      |
| DD2         | 13                | 25        | 26 | Ground      |
| DD13        | 14                | 27        | 28 | Ground      |
| DD1         | 15                | 29        | 30 | Ground      |
| DD14        | 16                | 31        | 32 | Ground      |
| DD0         | 17                | 33        | 34 | Ground      |
| DD15        | 18                | 35        | 36 | Ground      |
| Ground      | 19                | 37        | 38 | Ground      |
| (keypin)    | 20                | 39        | 40 | Ground      |
| DMARQ       | 21                | 41        | 42 | Ground      |
| Ground      | 22                | 43        | 44 | Ground      |
| DLOW-       | 23                | 45        | 46 | Ground      |
| Ground      | 24                | 47        | 48 | Ground      |
| DIOR-       | 25                | 49        | 50 | Ground      |
| Ground      | 26                | 51        | 52 | Ground      |
| IORDY       | 27                | 53        | 54 | Ground      |
| CSEL        | 28                | 55        | 56 | Ground      |
| DMACK-      | 29                | 57        | 58 | Ground      |
| Ground      | 30                | 59        | 60 | Ground      |
| INTRQ       | 31                | 61        | 62 | Ground      |
| Reserved    | 32                | 63        | 64 | Ground      |
| DA1         | 33                | 65        | 66 | Ground      |
| PDIAG-      | 34(see note)      | 67        | 68 | Ground      |
| DA0         | 35                | 69        | 70 | Ground      |
| DA2         | 36                | 71        | 72 | Ground      |
| CS0-        | 37                | 73        | 74 | Ground      |
| CS1-        | 38                | 75        | 76 | Ground      |
| DASP-       | 39                | 77        | 78 | Ground      |
| Ground      | 40                | 79        | 80 | Ground      |

NOTE – Pin 34 in the Host Connector shall not be attached to any cable conductor and shall be attached to Ground within the connector (see 6.7).

**Table A.9 - Signal assignments for connectors grounding odd conductors**

| Signal name | Conductor |    | Connector contact | Signal name |
|-------------|-----------|----|-------------------|-------------|
| Ground      | 1         | 2  | 1                 | RESET-      |
| Ground      | 3         | 4  | 2                 | Ground      |
| Ground      | 5         | 6  | 3                 | DD7         |
| Ground      | 7         | 8  | 4                 | DD8         |
| Ground      | 9         | 10 | 5                 | DD6         |
| Ground      | 11        | 12 | 6                 | DD9         |
| Ground      | 13        | 14 | 7                 | DD5         |
| Ground      | 15        | 16 | 8                 | DD10        |
| Ground      | 17        | 18 | 9                 | DD4         |
| Ground      | 19        | 20 | 10                | DD11        |
| Ground      | 21        | 22 | 11                | DD3         |
| Ground      | 23        | 24 | 12                | DD12        |
| Ground      | 25        | 26 | 13                | DD2         |
| Ground      | 27        | 28 | 14                | DD13        |
| Ground      | 29        | 30 | 15                | DD1         |
| Ground      | 31        | 32 | 16                | DD14        |
| Ground      | 33        | 34 | 17                | DD0         |
| Ground      | 35        | 36 | 18                | DD15        |
| Ground      | 37        | 38 | 19                | Ground      |
| Ground      | 39        | 40 | 20                | (keypin)    |
| Ground      | 41        | 42 | 21                | DMARQ       |
| Ground      | 43        | 44 | 22                | Ground      |
| Ground      | 45        | 46 | 23                | DIOW-       |
| Ground      | 47        | 48 | 24                | Ground      |
| Ground      | 49        | 50 | 25                | DIOR-       |
| Ground      | 51        | 52 | 26                | Ground      |
| Ground      | 53        | 54 | 27                | IORDY       |
| Ground      | 55        | 56 | 28                | CSEL        |
| Ground      | 57        | 58 | 29                | DMACK-      |
| Ground      | 59        | 60 | 30                | Ground      |
| Ground      | 61        | 62 | 31                | INTRQ       |
| Ground      | 63        | 64 | 32                | Reserved    |
| Ground      | 65        | 66 | 33                | DA1         |
| Ground      | 67        | 68 | 34 (see note)     | PDIAG-      |
| Ground      | 69        | 70 | 35                | DA0         |
| Ground      | 71        | 72 | 36                | DA2         |
| Ground      | 73        | 74 | 37                | CS0-        |
| Ground      | 75        | 76 | 38                | CS1-        |
| Ground      | 77        | 78 | 39                | DASP-       |
| Ground      | 79        | 80 | 40                | Ground      |

NOTE – Pin 34 in the Host Connector shall not be attached to any cable conductor and shall be attached to Ground within the connector (see 6.7).



**Figure A.7 - Connector labeling for even or odd conductor grounding**

## A.2 4-pin power connector

The power connector is a 4-pin connector. The header mounted to a device is shown in figure A.8 and the dimensions are shown in table A.10. The connector mounted to the end of the cable is shown in figure A.9 and the dimensions are shown in table A.11. Pin assignments for these connectors are shown in table A.12.

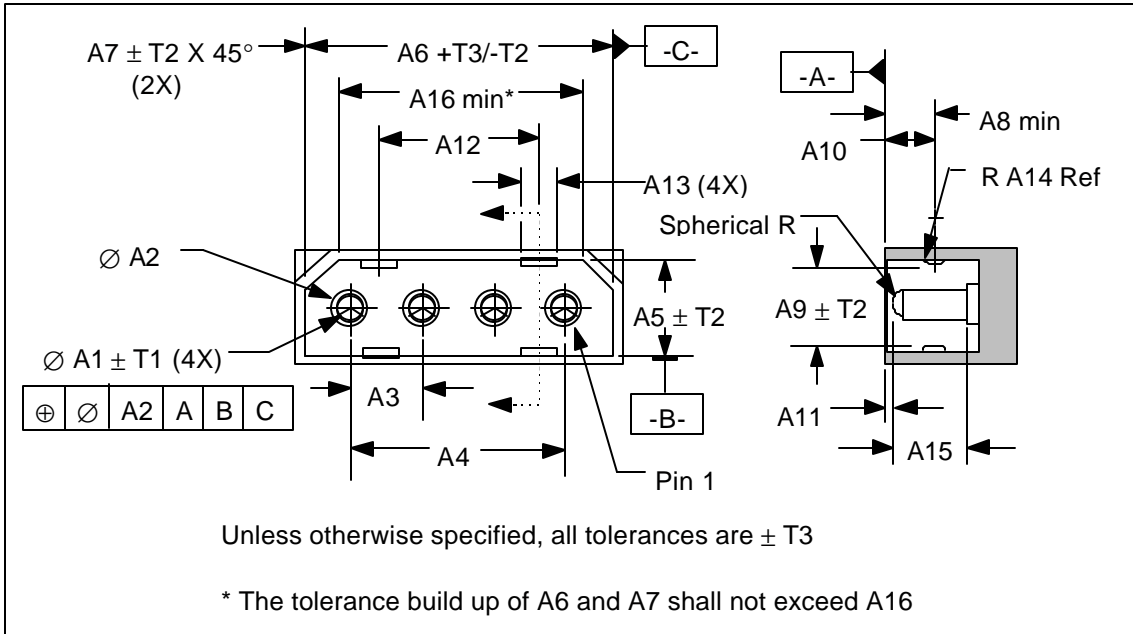


Figure A.8 - Device 4-pin power header

Table A.10 - Device 4-pin power header

| Dimension | Millimeters | Inches |
|-----------|-------------|--------|
| A 1       | 2.10        | 0.083  |
| A 2       | 3.50        | 0.138  |
| A 3       | 5.08        | 0.200  |
| A 4       | 15.24       | 0.600  |
| A 5       | 6.60        | 0.260  |
| A 6       | 21.32       | 0.839  |
| A 7       | 1.65        | 0.065  |
| A 8       | 7.50        | 0.295  |
| A 9       | 6.00        | 0.236  |
| A 10      | 4.95        | 0.195  |
| A 11      | 1.00        | 0.039  |
| A 12      | 11.18       | 0.440  |
| A 13      | 3.80        | 0.150  |
| A 14      | 3.00        | 0.118  |
| A 15      | 5.10        | 0.201  |
| A 16      | 17.80       | 0.701  |
| T 1       | 0.04        | 0.0016 |
| T 2       | 0.15        | 0.006  |
| T 3       | 0.25        | 0.010  |

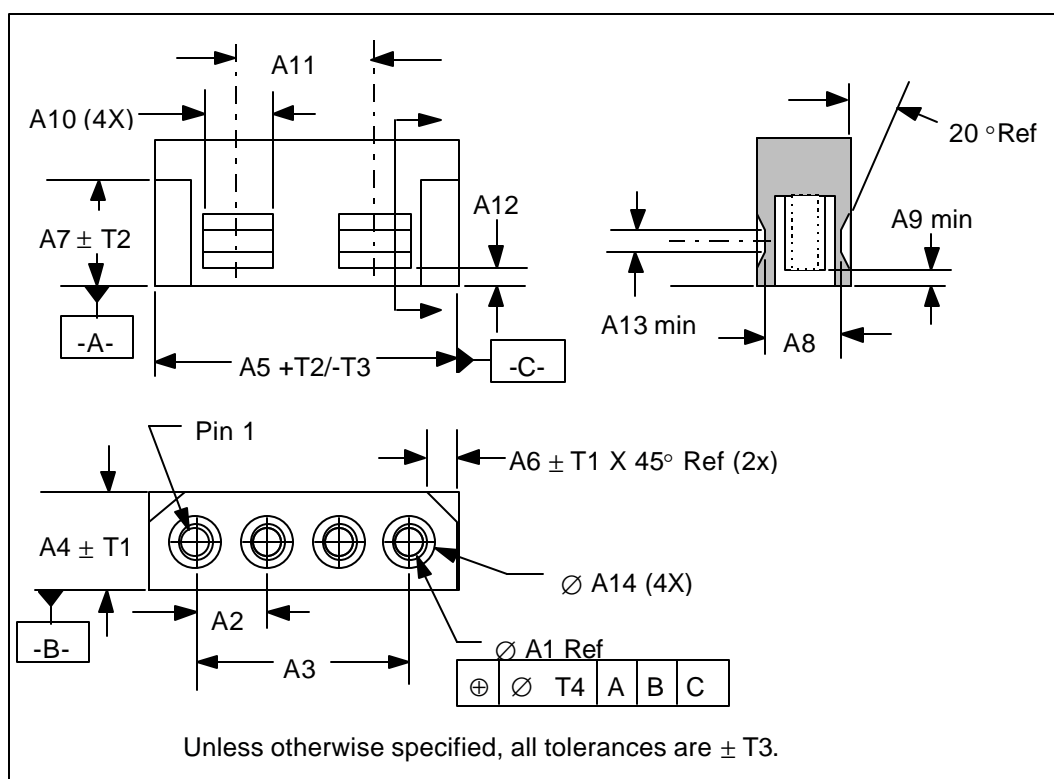


Figure A.9 - 4-pin power cable connector

Table A.11 - 4-pin power cable connector

| Dimension | Millimeters | Inches |
|-----------|-------------|--------|
| A 1       | 2.03        | 0.080  |
| A 2       | 5.08        | 0.200  |
| A 3       | 15.24       | 0.600  |
| A 4       | 6.35        | 0.250  |
| A 5       | 21.00       | 0.827  |
| A 6       | 1.78        | 0.070  |
| A 7       | 7.87        | 0.310  |
| A 8       | 5.51        | 0.217  |
| A 9       | 1.19        | 0.047  |
| A 10      | 5.08        | 0.200  |
| A 11      | 11.18       | 0.440  |
| A 12      | 1.19        | 0.047  |
| A 13      | 2.00        | 0.079  |
| A 14      | 4.06        | 0.160  |
| T 1       | 0.10        | 0.004  |
| T 2       | 0.15        | 0.006  |
| T 3       | 0.25        | 0.010  |
| T 4       | 0.60        | 0.024  |

Table A.12 - 4-pin power connector pin assignments

| Power line      | Pin |
|-----------------|-----|
| +12 volts       | 1   |
| +12 volt return | 2   |
| +5 volt return  | 3   |
| +5 volts        | 4   |

### A.2.1 Mating performance

Mating force should be 3.85 lbs (1.75 kg) maximum per contact.

Unmating force should be 0.25 lbs (113.5 g) minimum per contact.

### A.3 Unitized connectors

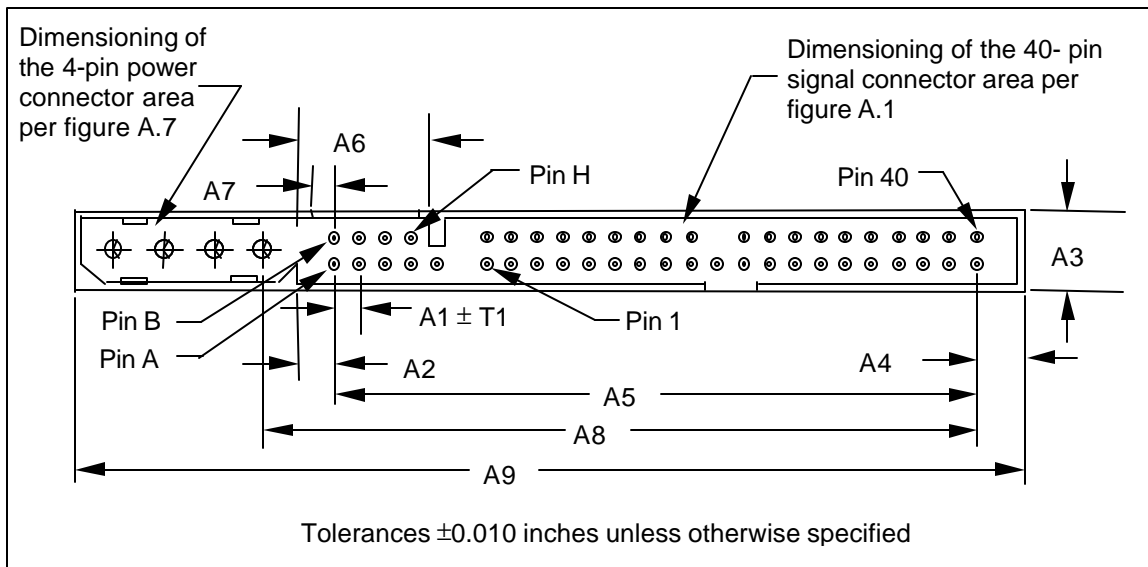
The 40-pin I/O signal header and the 4-pin power connector may be implemented in one of two unitized connectors that provide additional pins for configuration jumpers. The dimensioning of the 40-pin I/O signal area shall be as defined in figure A.1 and the dimensioning of the 4-pin power connector area shall be as defined in figure A.8 for both unitized connectors.

The first of the unitized connectors is shown in figure A.10 with dimensions as shown in table A.13. The jumper pins, A through I, have been assigned as follows:

- E-F - CSEL
- G-H - Master
- G-H and E-F - Master with slave present
- No jumper - Slave
- A through D - Vendor specific
- I - Reserved

The second of the unitized connectors is shown in figure A.11 with dimensions as shown in table A.14. The jumper pins, A through J, have been assigned as follows:

- A-B - CSEL
- C-D - Slave
- E-F - Master
- G through J - Vendor specific



**Figure A.10 - Unitized connector**



When a jumper is present between pins B and D, the device should respond to the CSEL signal to determine the device number.

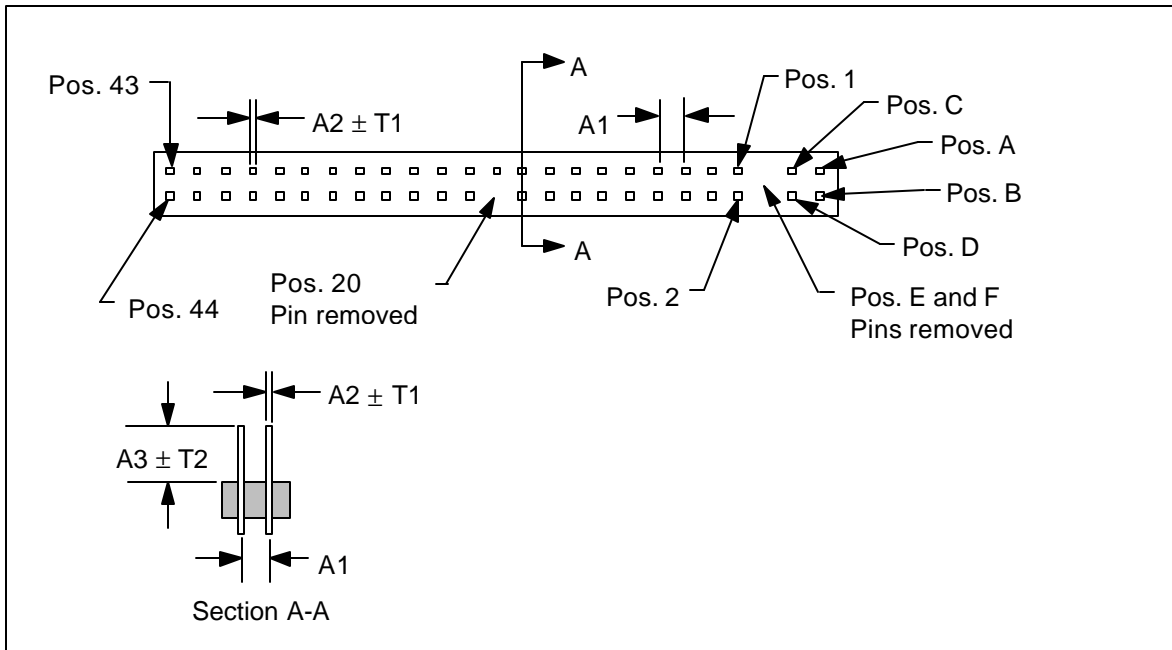


Figure A.12 - 50-pin connector

Table A.15 - 50-pin connector

| Dimension | Millimeters | Inches |
|-----------|-------------|--------|
| A 1       | 2.00        | 0.079  |
| A 2       | 0.50        | 0.020  |
| A 3       | 3.86        | 0.152  |
| T 1       | 0.05        | 0.002  |
| T 2       | 0.20        | 0.008  |



**Table A.16 - Signal assignments for 50-pin connector**

| Signal name   | Connector contact | Conductor |    | Connector contact | Signal name              |
|---|-------------------|-----------|----|-------------------|--------------------------|
| Option selection pins   | A                 |           |    | B                 | Option selection pins    |
| Option selection pins   | C                 |           |    | D                 | Option selection pins    |
| (keypin)  | E                 |           |    | F                 | (keypin)                 |
| RESET-  | 1                 | 1         | 2  | 2                 | Ground                   |
| DD7   | 3                 | 3         | 4  | 4                 | DD8                      |
| DD6   | 5                 | 5         | 6  | 6                 | DD9                      |
| DD5   | 7                 | 7         | 8  | 8                 | DD10                     |
| DD4   | 9                 | 9         | 10 | 10                | DD11                     |
| DD3   | 11                | 11        | 12 | 12                | DD12                     |
| DD2   | 13                | 13        | 14 | 14                | DD13                     |
| DD1   | 15                | 15        | 16 | 16                | DD14                     |
| DD0   | 17                | 17        | 18 | 18                | DD15                     |
| Ground  | 19                | 19        | 20 | 20                | (keypin)                 |
| DMARQ   | 21                | 21        | 22 | 22                | Ground                   |
| DIOW-:STOP  | 23                | 23        | 24 | 24                | Ground                   |
| DIOR-:HDMARDY-<br>:HSTROBE                                      | 25                | 25        | 26 | 26                | Ground                   |
| IORDY:DDMARDY-<br>:DSTROBE                                      | 27                | 27        | 28 | 28                | CSEL                     |
| DMACK-  | 29                | 29        | 30 | 30                | Ground                   |
| INTRQ   | 31                | 31        | 32 | 32                | Obsolete (see note)      |
| DA1   | 33                | 33        | 34 | 34                | PDIAG-                   |
| DA0   | 35                | 35        | 36 | 36                | DA2                      |
| CS0-  | 37                | 37        | 38 | 38                | CS1-                     |
| DASP-   | 39                | 39        | 40 | 40                | Ground                   |
| +5 V (logic)  | 41                | 41        | 42 | 42                | +5 V (motor)             |
| Ground(return)  | 43                | 43        | 44 | 44                | Reserved - no connection |
| NOTE – Pin 32 was defined as IOCS16 in ATA-2, ANSI X3.279-1996. |                   |           |    |                   |                          |

## A.5 68-pin PCMCIA connector

This clause defines the pinouts used for the 68-pin alternative connector for the AT Attachment Interface. This connector is defined in the PCMCIA PC Card Standard. This clause defines a pinout alternative that allows a device to function as an AT Attachment Interface compliant device, while also allowing the device to be compliant with PC Card ATA mode defined by PCMCIA. The signal protocol allows the device to identify the host interface as being 68-pin as defined in this standard or PC Card ATA.

To simplify the implementation of dual-interface devices, the 68-pin AT Attachment Interface maintains commonality with as many PC Card ATA signals as possible, while supporting full command and signal compliance with this standard.

The 68-pin pinout shall not cause damage or loss of data if a PCMCIA card is accidentally plugged into a host slot supporting this interface. The inversion of the RESET signal between this standard and PCMCIA interfaces prevents loss of data if the device is unable to reconfigure itself to the appropriate host interface.

### A.5.1 Signals

This specification relies upon the electrical and mechanical characteristics of PCMCIA and unless otherwise noted, all signals and registers with the same names as PCMCIA signals and registers have the same meaning as defined in PCMCIA.

The PC Card-ATA specification is used as a reference to identify the signal protocol used to identify the host interface protocol.

### **A.5.2 Signal descriptions**

Any signals not defined below shall be as described in this standard, PCMCIA, or the PC Card ATA documents.

Table A.15 shows the signals and relationships such as direction, as well as providing the signal name of the PCMCIA equivalent.

Table A.15 - Signal assignments for 68-pin connector

| Pin | Signal  | Hst | Dir | Dev  | PCMCIA          | Pin | Signal | Hst | Dir | Dev  | PCMCIA          |
|-----|---------|-----|-----|------|-----------------|-----|--------|-----|-----|------|-----------------|
| 1   | Ground  | x   | →   | x    | Ground          | 35  | Ground | x   | →   | x    | Ground          |
| 2   | DD3     | x   | ↔   | x    | D3              | 36  | CD1-   | x   | ←   | x    | CD1-            |
| 3   | DD4     | x   | ↔   | x    | D4              | 37  | DD11   | x   | ↔   | x    | D11             |
| 4   | DD5     | x   | ↔   | x    | D5              | 38  | DD12   | x   | ↔   | x    | D12             |
| 5   | DD6     | x   | ↔   | x    | D6              | 39  | DD13   | x   | ↔   | x    | D13             |
| 6   | DD7     | x   | ↔   | x    | D7              | 40  | DD14   | x   | ↔   | x    | D14             |
| 7   | CS0-    | x   | →   | x    | CE1-            | 41  | DD15   | x   | ↔   | x    | D15             |
| 8   |         |     | →   | i    | A10             | 42  | CS1-   | x   | →   | x(1) | CE2-            |
| 9   | SELATA- | x   | →   | x    | OE-             | 43  |        |     | ←   | i    | VS1-            |
| 10  |         |     |     |      |                 | 44  | DIOR-  | x   | →   | x    | IORD-           |
| 11  | CS1-    | x   | →   | x(1) | A9              | 45  | DIOW-  | x   | →   | x    | IOWR-           |
| 12  |         |     | →   | i    | A8              | 46  |        |     |     |      |                 |
| 13  |         |     |     |      |                 | 47  |        |     |     |      |                 |
| 14  |         |     |     |      |                 | 48  |        |     |     |      |                 |
| 15  |         |     | →   | i    | WE-             | 49  |        |     |     |      |                 |
| 16  | INTRQ   | x   | ←   | x    | READY/<br>IREQ- | 50  |        |     |     |      |                 |
| 17  | Vcc     | x   | →   | x    | Vcc             | 51  | Vcc    | x   | →   | x    | Vcc             |
| 18  |         |     |     |      |                 | 52  |        |     |     |      |                 |
| 19  |         |     |     |      |                 | 53  |        |     |     |      |                 |
| 20  |         |     |     |      |                 | 54  |        |     |     |      |                 |
| 21  |         |     |     |      |                 | 55  | M/S-   | x   | →   | x(2) |                 |
| 22  |         |     | →   | i    | A7              | 56  | CSEL   | x   | →   | x(2) |                 |
| 23  |         |     | →   | i    | A6              | 57  |        |     | ←   | i    | VS2-            |
| 24  |         |     | →   | i    | A5              | 58  | RESET- | x   | →   | x    | RESET           |
| 25  |         |     | →   | i    | A4              | 59  | IORDY  | o   | ←   | x(3) | WAIT-           |
| 26  |         |     | →   | i    | A3              | 60  | DMARQ  | o   | ←   | x(3) | INPACK-         |
| 27  | DA2     | x   | →   | x    | A2              | 61  | DMACK- | o   | →   | o    | REG-            |
| 28  | DA1     | x   | →   | x    | A1              | 62  | DASP-  | x   | ↔   | x    | BVD2/<br>SPKR-  |
| 29  | DA0     | x   | →   | x    | A0              | 63  | PDIAG- | x   | ↔   | x    | BVD1/<br>STSCHG |
| 30  | DD0     | x   | ↔   | x    | D0              | 64  | DD8    | x   | ↔   | x    | D8              |
| 31  | DD1     | x   | ↔   | x    | D1              | 65  | DD9    | x   | ↔   | x    | D9              |
| 32  | DD2     | x   | ↔   | x    | D2              | 66  | DD10   | x   | ↔   | x    | D10             |
| 33  |         | x   | ←   | x    | WP/<br>IOIS16   | 67  | CD2-   | x   | ←   | x    | CD2-            |
| 34  | Ground  | x   | →   | x    | Ground          | 68  | Ground | x   | →   | x    | Ground          |

## Key:

Dir = the direction of the signal between host and device.

x in the Hst column = this signal shall be supported by the Host.

x in the Dev column = this signal shall be supported by the device.

i in the Dev column = this signal shall be ignored by the device while in 68-pin mode.

o = this signal is Optional.

Nothing in Dev column = no connection should be made to that pin.

## NOTES –

1 The device shall support only one CS1- signal pin.

2 The device shall support either M/S- or CSEL but not both.

3 The device shall hold this signal negated if it does not support the function.

#### **A.5.2.1 CD1- (Card Detect 1)**

This signal shall be grounded by the device. CD1- and CD2- are used by the host to detect the presence of the device.

#### **A.5.2.2 CD2- (Card Detect 2)**

This signal shall be grounded by the device. CD1- and CD2- are used by the host to detect the presence of the device.

#### **A.5.2.3 CS1- (Device chip select 1)**

Hosts shall provide CS1- on both the pins identified in table A.15.

Devices shall recognize only one of the two pins as CS1-.

#### **A.5.2.4 DMACK- (DMA acknowledge)**

This signal is optional for hosts and devices.

If this signal is supported by the host or the device, the function of DMARQ shall also be supported.

#### **A.5.2.5 DMARQ (DMA request)**

This signal is optional for hosts.

If this signal is supported by the host or the device, the function of DMACK- shall also be supported.

#### **A.5.2.6 IORDY (I/O channel ready)**

This signal is optional for hosts.

#### **A.5.2.7 M/S- (Master/slave)**

This signal is the inverted form of CSEL. Hosts shall support both M/S- and CSEL though devices need only support one or the other.

Hosts shall assert CSEL and M/S- prior to applying VCC to the connector.

#### **A.5.2.8 SELATA- (Select 68-pin ATA)**

This pin is used by the host to select which mode to use, PC Card-ATA mode or the 68-pin mode defined in this standard. To select 68-pin ATA mode, the host shall assert SELATA- prior to applying power to the connector, and shall hold SELATA- asserted.

The device shall not re-sample SELATA- as a result of either a hardware or software reset. The device shall ignore all interface signals for 19 ms after the host supplies Vcc within the device's voltage tolerance. If SELATA- is negated following this time, the device shall either configure itself for PC Card-ATA mode or not respond to further inputs from the host.

### **A.5.3 Removability considerations**

This specification supports the removability of devices that use the protocol. As removability is a new consideration for devices, several issues need to be considered with regard to the insertion or removal of devices.

### **A.5.3.1 Device recommendations**

The following are recommendations to device implementors:

- CS0-, CS1-, RESET-, and SELATA- signals be negated on the device to prevent false selection during hot insertion.
- Ignore all interface signals except SELATA- until 19 ms after the host supplies VCC within the device's voltage tolerance. This time is necessary to de-bounce the device's power-on reset sequence. Once in the 68-pin mode as defined in this standard, if SELATA- is ever negated following the 19 ms de-bounce delay time, the device disables itself until VCC is removed.
- Provide a method to prevent unexpected removal of the device or media.

### **A.5.3.2 Host recommendations**

The following are recommendations to host implementors:

- Connector pin sequencing to protect the device by making contact to ground before any other signal in the system.
- SELATA- to be asserted at all times.
- All devices reset and reconfigured to the same base address each time a device at that address is inserted or removed.
- The removal or insertion of a device at the same address to be detected so as to prevent the corruption of a command.
- Provide a method to prevent unexpected removal of the device or media.

## **A.6 CompactFlash™ connector**

Device compliant with the CompactFlash™ Association Specification utilize the connector defined in that specification.

## Annex B

(normative)

### Device determination of cable type

#### B.1 Overview

This standard requires that, for systems using a cable assembly, an 80-conductor cable assembly shall be installed before a system may operate with Ultra DMA modes greater than 2. However, some hosts have not implemented circuitry to determine the installed cable type by detecting whether PDIAG-:CBLID- is connected to ground as mandated by this standard. The following describes an alternate method for using IDENTIFY DEVICE or IDENTIFY PACKET DEVICE data from the device to determine the cable type. It is not recommended that a host use the method described in this annex.

If a host uses IDENTIFY DEVICE or IDENTIFY PACKET DEVICE data from the device to determine the cable type, then a 0.047  $\mu\text{f}$  capacitor shall be installed from CBLID- to ground at the host connector. The tolerance on this capacitor is +/- 20% or less. After receiving an IDENTIFY DEVICE or IDENTIFY PACKET DEVICE command the device detects the presence or absence of the capacitor by asserting PDIAG-:CBLID- to discharge the capacitor, releasing PDIAG-, and sampling PDIAG-:CBLID- before the installed capacitor could recharge through the 10 k $\Omega$  pull-up resistor(s) on PDIAG-:CBLID- at the device(s).

If the host system has a capacitor on PDIAG-:CBLID- and a 40-conductor cable is installed, the rise time of the signal will be slow enough that the device will sample PDIAG-:CBLID- while the signal is still below  $V_{IL}$ . Otherwise, if PDIAG-:CBLID- is not connected from the host connector to the devices in an 80-conductor cable assembly, the device will detect that the signal is pulled above  $V_{IH}$  through the resistor(s) on the device(s). The capacitor test results will then be reported to the host in the IDENTIFY DEVICE or IDENTIFY PACKET DEVICE data. The host will use the data to determine the maximum transfer rate of which the system is capable and use this information when setting the transfer rate using the SET FEATURES command.

#### B.2 Sequence for device detection of installed capacitor

The following is the sequence for a host using IDENTIFY DEVICE or IDENTIFY PACKET DEVICE data from the device to determine the cable type:

- 1) the host issues an IDENTIFY DEVICE or IDENTIFY PACKET DEVICE command (according to device type) first to Device 1 and then to Device 0 after every power-on or hardware reset sequence (the command is issued to Device 1 first to ensure that Device 1 releases PDIAG-:CBLID- before Device 0 is selected. Device 0 will be unable to distinguish a discharged capacitor if Device 1 is driving the line to its electrically low state. Issuing the command to Device 1 forces it to release PDIAG-:CBLID-);
- 2) the selected device asserts PDIAG-:CBLID- for at least 30  $\mu\text{s}$  after receipt of the IDENTIFY DEVICE or IDENTIFY PACKET DEVICE command but before transferring data for the command;
- 3) the device releases PDIAG-:CBLID- and samples it between two and thirteen  $\mu\text{s}$  after release;
- 4) if the device detects that PDIAG-:CBLID- is below  $V_{IL}$ , then the device returns a value of zero in bit 13 of word 93 in its IDENTIFY DEVICE or IDENTIFY PACKET DEVICE data (if the host system has a capacitor on that signal and a 40-conductor cable is installed, the rise time of the signal will be slow enough that it will be sampled by the device while it is still below  $V_{IL}$ );
- 5) if the device detects that the signal is above  $V_{IH}$ , then the device returns a value of one in bit 13 of word 93 in its IDENTIFY DEVICE or IDENTIFY PACKET DEVICE data (this signal is not connected between the host and the devices in an 80-conductor cable assembly, thus, the sampling device will see this signal pulled above  $V_{IH}$  through the 10 k $\Omega$  resistor(s) installed on the device(s));
- 6) the host then uses its knowledge of its own capabilities and the content of words 88 and 93 to determine the Ultra DMA modes of which the system is capable;
- 7) the host then uses the SET FEATURES command to set the transfer mode.

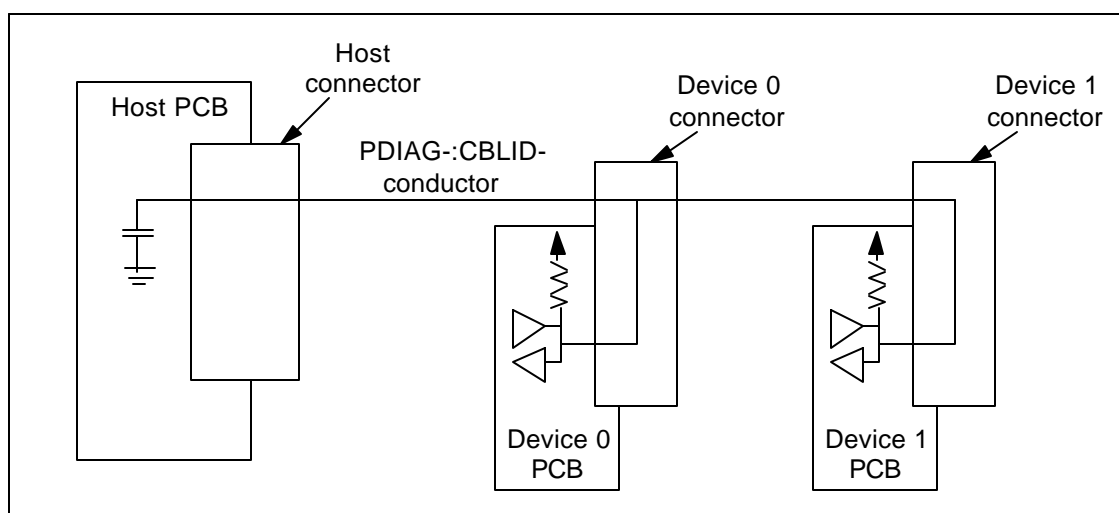


Figure B.1 – Example configuration of a system where the device detects a 40-conductor cable

Table B.1 – Device detection of installed capacitor

| Cable assembly type | Device 1 releases PDIAG- ID data by device | Value reported in ID data by device | Device-determined cable type | Determination correct? |
|---------------------|--|-------------------------------------|------------------------------|------------------------|
| 40-conductor        | Yes  | 0                                   | 40-conductor                 | Yes                    |
| 80-conductor        | Yes  | 1                                   | 80-conductor                 | Yes                    |
| 40-conductor        | No   | 0                                   | 40-conductor                 | Yes                    |
| 80-conductor        | No   | 0                                   | 40-conductor                 | No (see note)          |

NOTE – Ultra DMA modes 3 or 4 will not be set even though the system supports them.

Table B.2 – Results of device based cable detection if the host does not have the capacitor installed

| Cable assembly type | Device 1 releases PDIAG- ID data by device | Value reported in ID data by device | Device-determined cable type | Determination correct? |
|---------------------|--|-------------------------------------|------------------------------|------------------------|
| 40-conductor        | Yes  | 1                                   | 80-conductor                 | No (see note 1)        |
| 80-conductor        | Yes  | 1                                   | 80-conductor                 | Yes                    |
| 40-conductor        | No   | 0                                   | 40-conductor                 | Yes                    |
| 80-conductor        | No   | 0                                   | 40-conductor                 | No (see note 2)        |

NOTES –

- 1 Ultra DMA mode 3 or 4 may be set incorrectly resulting in ICRC errors.
- 2 Ultra DMA modes 3 or 4 will not be set even though the system supports them.

### B.3 Using the combination of methods for detecting cable type

Determining the cable assembly type may be done either by the host sensing the condition of the PDIAG-:CBLID- signal, by relying on information from the device, or a combination of both methods. Table B.3 describes the results of using both host and device cable detection methods.

**Table B.3 – Results of using both host and device cable detection methods**

| Cable assembly type | Device 1 Releases PDIAG- | Electrical state of CBLID- at host | Value reported in ID data by device | Determined cable type | Determination correct? |
|---------------------|--------------------------|------------------------------------|-------------------------------------|-----------------------|------------------------|
| 40-conductor        | Yes                      | 1                                  | 0                                   | 40                    | Yes                    |
| 80-conductor        | Yes                      | 0                                  | 1                                   | 80                    | Yes                    |
| 40-conductor        | No                       | 0                                  | 0                                   | 40                    | Yes (see note)         |
| 80-conductor        | No                       | 0                                  | 0                                   | 40                    | No (see note)          |

NOTE – The “0,0” result is independent of cable type and indicates that Device 1 is incorrectly asserting PDIAG-. When the host determines this result, it shall not operate with Ultra DMA modes greater than 2 and it may respond in several ways:

- report that Device 1 is incompatible with Ultra DMA modes higher than 2 and should be used on a different port in order to use those modes on the port being detected;
- report that Device 1 is not allowing the cable type to be properly detected;
- do not notify the user of any problem but detect the cable as a 40-conductor.

The Table B.4 below illustrates intermediate results for all combinations of cable, device, and host, for hosts that support Ultra DMA modes greater than 2.

**Table B.4 – Results for all combinations of device and host cable detection methods**

| Design options               |                               |                           | Intermediate actions and results       |                                    |                            |                    |                         |                               | Results                   |
|------------------------------|-------------------------------|---------------------------|--|------------------------------------|----------------------------|--------------------|-------------------------|-------------------------------|---------------------------|
| 80-conductor cable installed | Device supports UDMA modes >2 | Host senses PDIAG-:CBLID- | Host uses ID data, capacitor installed | Host capacitor connected to device | Device tests for capacitor | Capacitor detected | ID word 93 Bit 13 value | Host checks ID word 93 bit 13 | Host may set UDMA mode >2 |
| No                           | No                            | Yes                       | No                                     | No                                 | No                         | No                 | 0                       | No                            | No                        |
| No                           | Yes                           | Yes                       | No                                     | No                                 | Yes                        | No                 | 1                       | No                            | No                        |
| Yes                          | No                            | Yes                       | No                                     | No                                 | No                         | No                 | 0                       | No                            | No                        |
| Yes                          | Yes                           | Yes                       | No                                     | No                                 | Yes                        | No                 | 1                       | No                            | Yes                       |
| No                           | No                            | No                        | Yes                                    | Yes                                | No                         | No                 | 0                       | Yes                           | No                        |
| No                           | Yes                           | No                        | Yes                                    | Yes                                | Yes                        | Yes                | 0                       | Yes                           | No                        |
| Yes                          | No                            | No                        | Yes                                    | No                                 | No                         | No                 | 0                       | Yes                           | No                        |
| Yes                          | Yes                           | No                        | Yes                                    | No                                 | Yes                        | No                 | 1                       | Yes                           | Yes                       |



## **Annex C**

(informative)

### **Identify device data for devices with more than 1024 logical cylinders**

#### **C.1 Definitions and background information**

The original IBM PC BIOS (Basic Input/Output System) imposed several restrictions on the support of devices, and these have been incorporated into many higher level software products. One such restriction limits the capacity of a device. BIOS software cannot support a device with more than 1,024 cylinders, 16 heads, and 63 sectors per track without translating an input logical geometry to a different output logical geometry. The maximum addressable capacity of a device that does not require BIOS translation is 1,032,192 sectors.

These rules allow BIOSes using bit shifting translation to access 15,481,935 (16,383\*15\*63) sectors, and BIOSes using LBA assisted translation to access 16,450,560 (1024\*255\*63) sectors. Extended BIOS functionality is defined in the ANSI Technical Report Enhanced BIOS Services for Disk Drives, which describes new services provided by BIOS firmware to support ATA hard disks up to 16 mega-terra-sectors.

#### **C.2 Cylinder, head, and sector addressing**

BIOSs and other software that operate a device in CHS translation employ a combination of IDENTIFY DEVICE data words 1, 3, 6, words 53-58, and words 60-61 to ascertain the appropriate translation to use and determine the capacity of a device.

Maximum compatibility is facilitated if the following guidelines are used. These guidelines limit the values placed into words 1, 3, 6, 53-58, and 60-61. Accessing beyond 15,481,935 sectors should be performed using LBA.

##### **C.2.1 Word 1**

For devices with a capacity less than or equal to 1,032,192 sectors, if IDENTIFY DEVICE data word 1 (Default Cylinders) does not specify a value greater than 1,024, then no guideline is necessary.

If a device is greater than 1,032,192 sectors, but less than or equal to 16,514,064 sectors, the maximum value that can be placed into this word is determined by the value in word 3 as shown in table C.1.

If a device is greater than 15,481,935 sectors and supports CHS, this word should contain 16,383 (3FFFh).

The INITIALIZE DEVICE PARAMETERS command does not change this value.

The value in this word is changed by the SET MAX ADDRESS command.

**Table C.1 - Word 1 value for devices between 1,032,192 and 16,514,064 sectors**

| Value in word 3 |     | Maximum value in word 1 |       |
|-----------------|-----|-------------------------|-------|
| 1               | 1h  | 65,535                  | FFFFh |
| 2               | 2h  | 65,535                  | FFFFh |
| 3               | 3h  | 65,535                  | FFFFh |
| 4               | 4h  | 65,535                  | FFFFh |
| 5               | 5h  | 32,767                  | 7FFFh |
| 6               | 6h  | 32,767                  | 7FFFh |
| 7               | 7h  | 32,767                  | 7FFFh |
| 8               | 8h  | 32,767                  | 7FFFh |
| 9               | 9h  | 16,383                  | 3FFFh |
| 10              | Ah  | 16,383                  | 3FFFh |
| 11              | Bh  | 16,383                  | 3FFFh |
| 12              | Ch  | 16,383                  | 3FFFh |
| 13              | Dh  | 16,383                  | 3FFFh |
| 14              | Eh  | 16,383                  | 3FFFh |
| 15              | Fh  | 16,383                  | 3FFFh |
| 16              | 10h | 16,383                  | 3FFFh |

**C.2.2 Word 3**

IDENTIFY DEVICE data word 3 (Default Heads) does not specify a value greater than 16. If the device has less than or equal to 8,257,536 sectors, then set word 3 to 16 heads. If the device has more than 16,514,064 sectors, then set word 3 to 15 heads. If this value is set to 16 when the device has more than 16,514,064 sectors, some systems will not boot some operating systems.

The INITIALIZE DEVICE PARAMETERS command does not change this value.

**C.2.3 Word 6**

If the device is above 1,032,192 sectors then the value should be 63. This value does not exceed 63 (3Fh).

The INITIALIZE DEVICE PARAMETERS command does not change this value.

**C.2.4 Use of words 53 through 58**

Devices with a capacity over 1,032,192 sectors implement words 53-58. Devices with a capacity less than or equal to 1,032,192 sectors may also implement these words. These words define the address range for all sectors accessible in CHS mode under 16,514,064. The product of word 54, word 55, and word 56 must not exceed 16,514,064.

**C.2.5 Words 60-61**

IDENTIFY DEVICE data words 60-61 contain a 32-bit value that is equal to the total number of sectors that can be accessed using LBA. If the device is less than or equal to 15,481,935 sectors, this value should be the product of words 1, 3, and 6. Setting the total number of LBA sectors in this manner reduces the probability of conflicting device capacities being calculated by different operating systems.

### C.3 Orphan sectors

The sectors, if any, between the last sector addressable in CHS mode and the last sector addressable in LBA mode are known as "orphan" sectors. A device may or may not allow access to these sectors in CHS addressing mode.

The values in words 1, 3, and 6 are selected such that the number of orphan sectors is minimized. Normally, the number of orphan sectors should not exceed ( [word55] x [word56] - 1 ). However, the host system may create conditions where there are a larger number of orphans sectors by issuing the INITIALIZE DEVICE PARAMETERS command with values other than the values in words 3 and 6. If the recommendation in C.2.5 is followed, there will be no orphan sectors and problems associated with new operating systems calculating a different device size from older operating systems will be minimized.

## **Annex D**

(informative)

### **Signal integrity and UDMA implementation guide**

#### **D.1 Introduction**

The ATA bus (also called the IDE bus) is a storage interface originally designed for the ISA Bus of the IBM PC/AT™. With the advent of faster host systems and devices, the definition of the bus has been expanded to include new operating modes. Each of the PIO modes, numbered zero through four, is faster than the one before (higher numbers translate to faster transfer rates). PIO modes 0, 1, and 2 correspond to transfer rates for the interface as was originally defined with maximum transfer rates of 3.3, 5.2, and 8.3 megabytes per second (MB/s), respectively. PIO mode 3 defines a maximum transfer rate of 11.1 MB/s, and PIO mode 4 defines a maximum rate of 16.7 MB/s. Additionally, Multiword DMA and Ultra DMA modes have been defined. Multiword DMA mode 0, 1, and 2 have maximum transfer rates of 4.2, 13.3, and 16.7 MB/s, respectively. Ultra DMA modes 0, 1, 2, 3 and 4 have maximum transfer rates of 16.7, 25, 33.3, 44.4, and 66.6 MB/s, respectively.

Ultra DMA features such as increased frequencies, double-edge clocking, and non-interlocked signaling require improved signal integrity on the bus relative to that required by PIO and Multiword DMA modes. For Ultra DMA modes 0, 1 and 2 this is achieved by the use of partial series termination and controlled slew rates. For modes 3 and 4 an 80-conductor cable assembly is required in addition to partial series termination and controlled slew rates. This cable assembly has ground lines interspersed between all signal lines on the bus in order to control impedance and reduce crosstalk, eliminating many of the signal integrity problems inherent to the 40-conductor cable assembly. However, many of the design considerations and measurement techniques required for the 80-conductor cable assembly are different from those used for the 40-conductor assembly. Hosts and devices intended to be used with 40- or 80-conductor cables may be designed to meet all requirements for operation with both types. Unless otherwise stated, 40- and 80-conductor cables are assumed to be 18" long, the maximum allowed by this standard. Timing and signal integrity issues as discussed apply to this length cable.

#### **D.2 The issues**

The following issues and design challenges are discussed along with suggestions for implementation: timing, crosstalk between signals, ground bounce, and ringing.

##### **D.2.1 Timing**

Two of the features Ultra DMA introduced to the bus are double-edge clocking and non-interlocked (also known as source-synchronous) signaling. Double-edge clocking allows a word of data to be transferred on each edge of STROBE (this is HSTROBE for an Ultra DMA data out transfer and DSTROBE for a data in transfer), resulting in doubling the data rate without increasing the fundamental frequency of signaling on the bus. Non-interlocked signaling means that DATA and STROBE are both generated by the sender during a data transfer. In addition to signal integrity issues such as clocking the same data twice due to ringing on the STROBE signal and delay-limited interlock timings on the bus, non-interlocked signaling makes settling time and skew between different signals on the bus critical for proper Ultra DMA operation.

###### **D.2.1.1 Cabling**

The 80-conductor cable assembly adds 40 ground lines to the cable interspersed between the 40 signal lines defined for the 40-conductor cable assembly. These added ground lines are connected inside each connector on the cable assembly to the seven ground pins defined for the 40-conductor cable assembly. These additional ground lines allow the return current for each signal line to follow a much lower impedance path to the outgoing current than was allowed by the grounding scheme in the 40-conductor cable assembly. This results in greatly reduced crosstalk on the data bus. The controlled impedance and reduced crosstalk of the 80-conductor cable assembly results in much improved behavior of electrical signals on the bus and reduces the data settling time to effectively zero regardless of switching conditions. Thus, the signal at the recipient is monotonic, such that

the first crossing of the input threshold is considered final. Reducing the time allowed for data settling from greater than 25 ns in Ultra DMA mode 2, to 0 ns with the 80-conductor cable assembly allows nominal cycle time to be reduced from 60 ns for mode 2, to 30 ns for mode 4.

### D.2.1.2 Skew

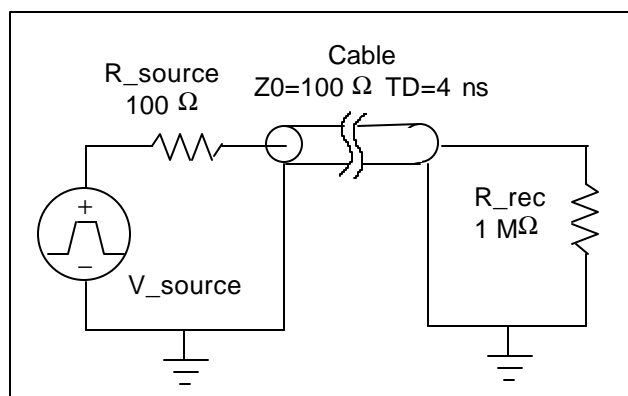
Skew is the difference in total propagation delay between two signals as they transit the bus. Propagation delay is the amount of time required for a single input signal at one part of the system to cause a disturbance to be observed at another part of the system in a system containing continuously distributed capacitance and inductance. Propagation delay is determined by the velocity of light within the dielectric materials containing the electric fields in the system. For systems with uniform properties along their length, propagation delay is often specified as seconds per foot or seconds per meter.

Skew will be positive or negative depending on which signal is chosen as the reference. All skews in the Ultra DMA timing derivations are defined as STROBE delay minus data delay. A positive skew is a STROBE that is delayed more than the data.

Skew corresponds to the reduction in setup and hold times that occurs between the sender and the recipient. In order to insure that data is clocked correctly, the maximum allowable skew in each direction in a system is less than the difference between the setup or hold time produced by the sender and required by the recipient. Skew between signals will increase as they transit the bus based on differences in the electrical characteristics of the paths followed by each signal. An understanding of the origins of skew and its importance to Ultra DMA requires an explanation of the nature of signal propagation on a ground-signal-ground cable.

### D.2.1.3 Source-terminated bus

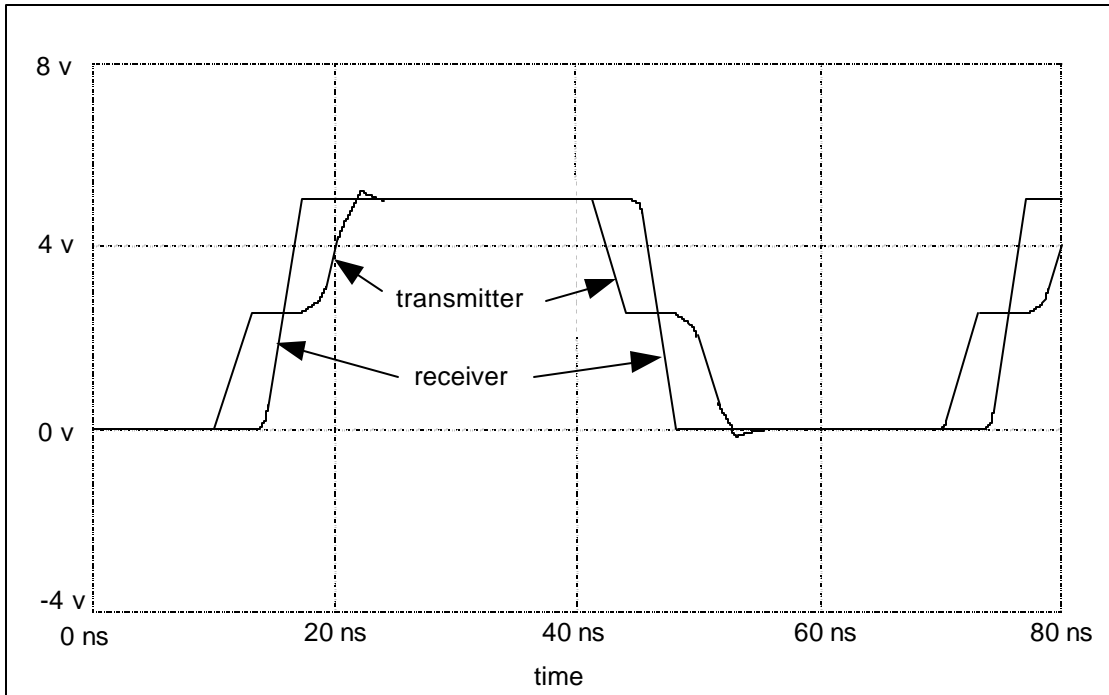
The bus operates as a “source-terminated” bus, meaning that the only low-impedance connection to ground is via the source impedance of the drivers in the sender.



**Figure D.1 - A transmission line with perfect source termination**

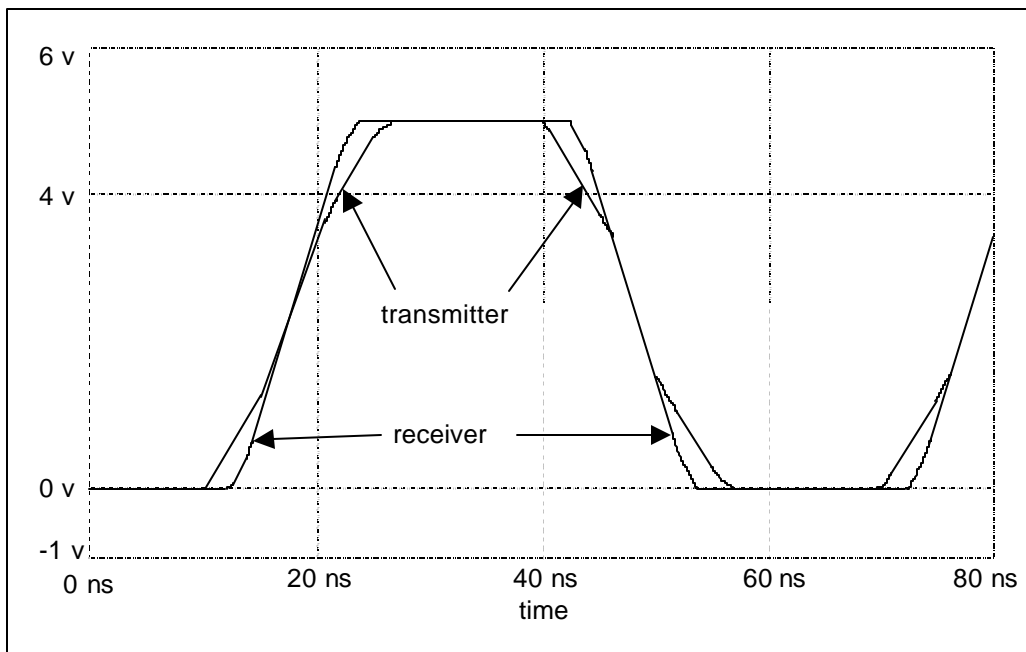
On a source-terminated transmission line, the initial voltage level produced at the source propagates through the system until it reaches the receiving end that, by definition, is an open circuit or at least has high impedance relative to the characteristic impedance of the transmission line. This open circuit produces a reflection of the original step with the same polarity and amplitude as the original step but travelling in the opposite direction. The reflected step adds to the first step to raise the voltage throughout the system to two times the original step voltage. In a perfectly terminated system (see figure D.1),  $R_{source}$  matches the cable impedance resulting in an initial step voltage on the transmission line equal to fifty percent of  $V_{source}$ , and the entire system has reached a steady state at  $V_{source}$  once the reflection returns to the source.

The waveforms that are measured on the bus as a result of this behavior depend on the ratio of the signal rise time to the propagation delay of the system. If the rise time is shorter than the one-way propagation delay, the initial voltage step will be visible at the sender. At the recipient the incoming voltage step is instantaneously doubled as it reflects back to the sender and no step is observed (see figure D.2).



**Figure D.2 – Waveforms on a source-terminated bus with rise time less than  $T_{prop}$**

If the rise time is longer than the propagation delay, the sender waveform changes, but the same behavior still occurs: the reflected step adds to the initial step at the sender while a delayed doubling of the initial step is observed at the recipient. Because the rising edges of the two steps overlap when measured at the sender, there is a temporary increase in slew rate instead of a step seen at the sender while the rising edge of the reflection adds to the edge still being generated by the sender (see figure D.3).



**Figure D.3 – Waveforms on a source-terminated bus with rise time greater than  $T_{prop}$**

In figure D.4, the source impedance is perfectly matched to the cable impedance with the result that, after the first reflection returns to the source, there are no further reflections, and the system is at a steady state. In a system that is not perfectly terminated, there are two possibilities. The first possibility is when the source

impedance is less than the characteristic impedance of the transmission line, the initial step is greater than fifty percent of  $V_{OH}$ , and the system is at a voltage higher than  $V_{OH}$  when the first reflection returns to the recipient (see figure D.4). In this case another reflection occurs at the source to reduce the system to a voltage below  $V_{OH}$  but closer to  $V_{OH}$  than the initial peak. Reflections continue but are further reduced in amplitude each time they reflect from the termination at the source.

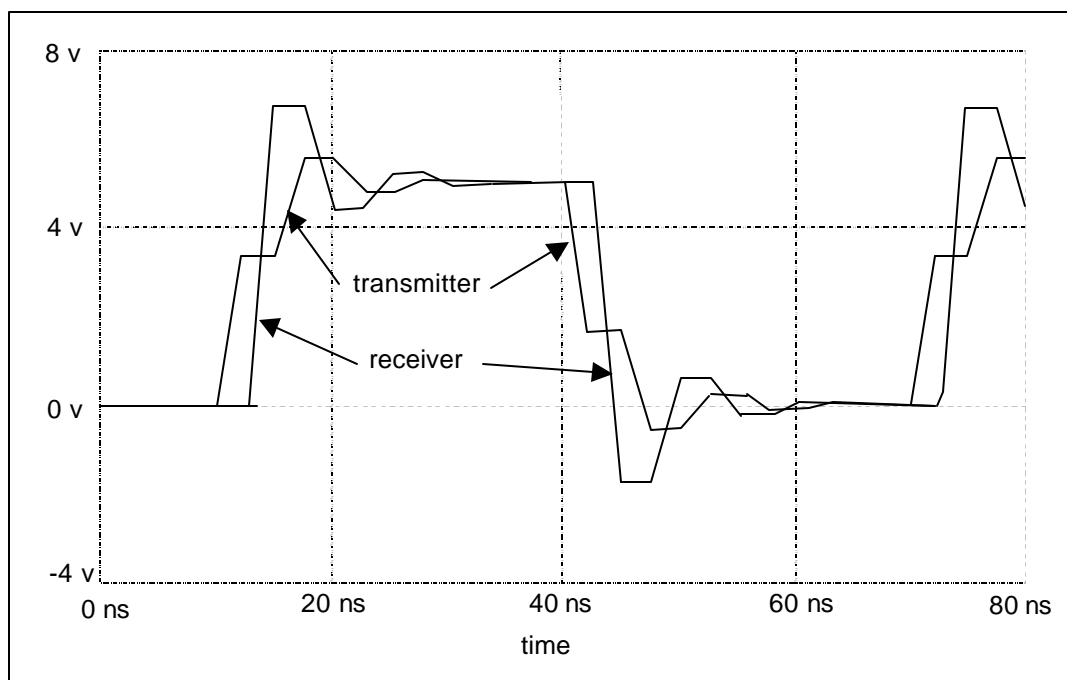


Figure D.4 – Waveforms on a source-terminated bus with  $R_{source}$  less than cable  $Z_0$

The second possibility is when the source impedance is higher than the characteristic impedance, the initial step is less than fifty percent of  $V_{OH}$ , and multiple reflections back and forth on the bus will be required to bring the whole system up to a steady state at  $V_{OH}$  (see figure D.5).

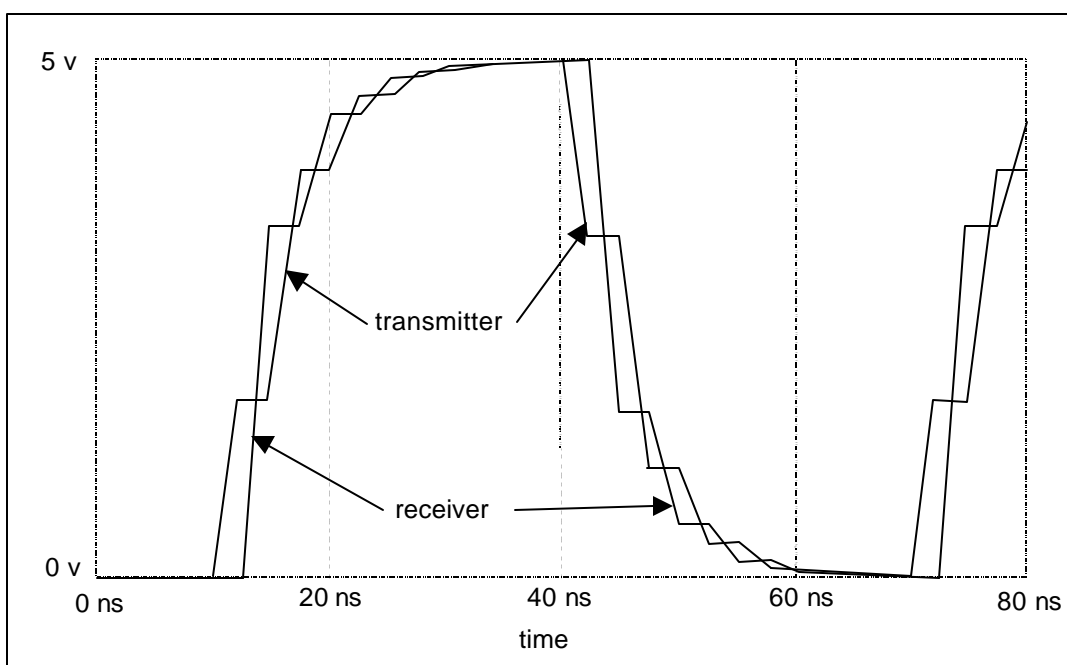
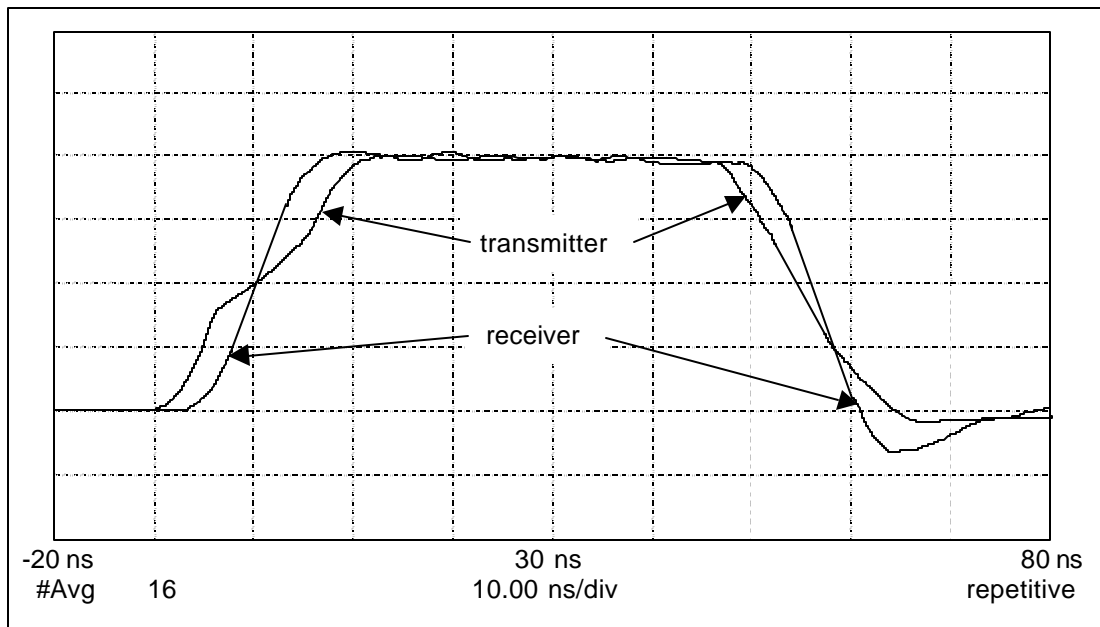


Figure D.5 – Waveforms on a source-terminated bus with  $R_{source}$  greater than cable  $Z_0$

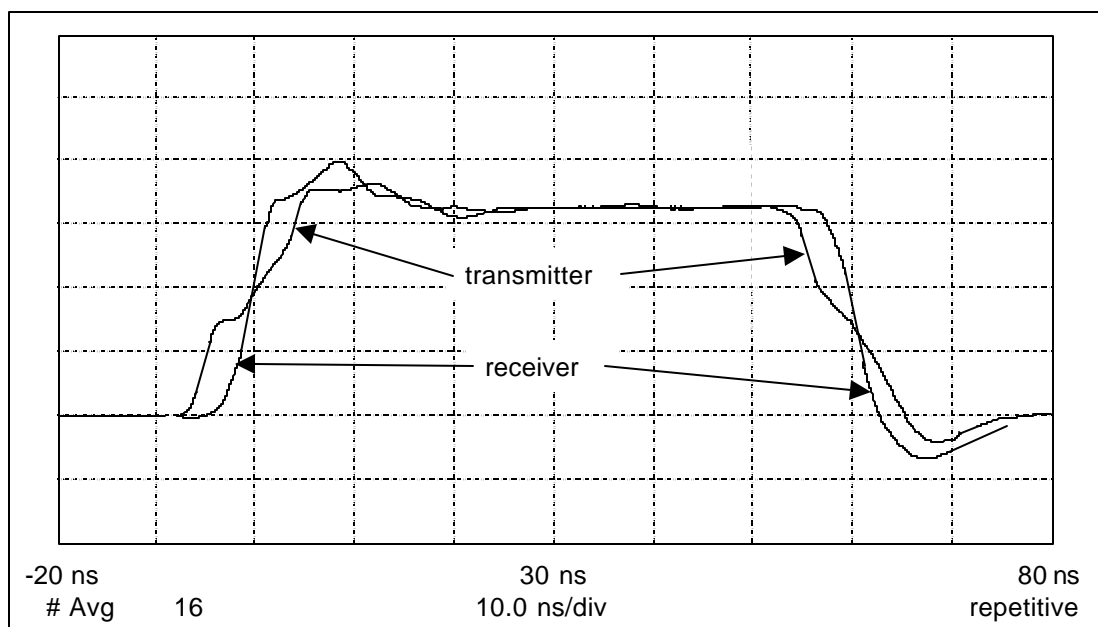
Note that falling edges exhibit the same transmission line behavior as rising edges. The only difference between the edges is that  $V_{oH}$  and  $V_{oL}$  are reversed. In actual systems output impedance and slew rate of the drivers are often different between rising and falling edges, resulting in different step voltages and waveform shapes.

For typical implementations using  $33\ \Omega$  series termination, the effective driving impedance of a sender's component I/O viewed from the cable connector ranges from  $50$  to  $90\ \Omega$ . The component I/O is the combined input and/or output circuitry, bond wire, and pin on an IC that is responsible for receiving and/or sending data on a particular conductor within the bus. The initial voltage step produced when an edge is driven onto the cable will be equal to the driver's open-circuit  $V_{oH}$  divided by the effective output impedance and the input impedance of the cable (typically  $82\ \Omega$ ), or a  $50$  to  $60\ \Omega$  printed circuit board trace in the case of hosts. This step voltage will fall in the range from  $50$  to  $70$  percent of  $V_{oH}$ . For example, for a theoretical source with zero output impedance using  $33\ \Omega$  termination driving an  $82\ \Omega$  cable the resulting step voltage is not greater than  $100 * (82 \div (33 + 82)) = 71.3$  percent of  $V_{oH}$ . Because the thresholds of an input are not centered with respect to the high and low voltages, the initial voltage step produced by a driver will often cross the recipient's input threshold on a rising edge but not on a falling edge. However, since the signal received at the end of the bus is a doubled version of the initial output from the sender, it will cross the switching thresholds for any reasonably low output impedance. Because of this the main voltage step only affects skew and delay for signals received at devices that are not at the end of the cable. The greater the distance a device is from the device end of the cable (i.e., closer to the host), the longer the duration of the step observed (see figures D.6 and D.7).



**Figure D.6 – Typical step voltage seen in ATA systems using an 80-conductor cable (measured at drive and host connectors during read)**





**Figure D.7 – Typical step voltage seen in ATA systems using an 80-conductor cable (measured at host and drive connectors during write)**

In addition to the step produced by the initial voltage driven onto the bus and the subsequent reflection, smaller steps are produced each time the propagating signal encounters a change in the bus impedance. The major impedance changes that occur in a system are: 1) at the connections between the cable and the printed circuit boards (PCBs) of the hosts and devices, 2) along the traces of the PCBs as the result of changing layers, and 3) at the connection between a motherboard and a backplane.

The transmission line behavior of the 80-conductor cable assembly adds skew to the received signal in two ways: First, impedance differences along one line versus another will result in different amounts of delay and attenuation on each line due to reflections on the bus. This produces a time difference between the two signals' threshold crossings at the recipient. Secondly, signals received at the device that is not at the end of the cable may cross the threshold during the initial voltage step or after the reflection from the end of the cable is received, depending on the supply voltage, series termination, output impedance,  $V_{OH}$ , and PCB trace characteristics of the host.

Factors other than cable characteristics also contribute to skew. Differences in the capacitive loading between the STROBE and DATA lines on devices attached to the bus will delay propagating signals by differing amounts. Differences in slew rate or output impedance between drivers when driving the  $82\ \Omega$  load will result in skew being generated as the signal is sent at the sender. Differences between the input RC delays on STROBE and DATA lines will add skew at the recipient.

The fundamental requirement for minimizing skew in the entire system is to make the STROBE and DATA lines as uniform as possible throughout the system. Methods of achieving this are described in D.1.10.

#### **D.2.1.4 Timing measurements for the 80-conductor cable assembly**

The reflections that are present in a system make it difficult to measure skew and delays accurately. For the received signal at a device, the propagation delay from the device connector to the device integrated circuit (IC) connector pin is about 300 ps for typical PCBs and trace lengths. The IC is the entire component (die and package) that contains the ATA bus interface circuitry.

This delay introduces an error of plus or minus 300 ps in timing measurements made at the device connector since rising edges and falling edges will be measured before and after the step respectively. When comparing two signals, this results in an error in measured skew of plus or minus 600 ps due to the measurement

position. This error is small enough relative to the total timing margin of an Ultra DMA system that it may be ignored in most cases.

Since the trace length on host PCBs are often much longer than those on devices, the propagation time for a signal from the host connector to the host IC may be as high as 2 ns. This results in a plus or minus 2 ns accuracy in the measurement of a single signal and a plus or minus 4 ns accuracy for skew between two signals. These errors are not removed by adding or subtracting an allowance for PCB propagation delay depending on rising or falling edges because characteristics of the PCB and termination will affect the step levels and skew that occur at the component I/Os. As a result of this, accurate measurements of skew in signals received at the host are made either at pins of the host IC, or at points on the PCB traces as close to the IC pins as possible. Test pads, headers, or unconnected vias in PCB layouts may be designed allowing connection to DATA, STROBE, and ground for this purpose.

It is important to note that the timing specifications for Ultra DMA in the standard are based on measuring signals at the interface connector.

#### **D.2.1.5 Simulations for the 80-conductor cable assembly**

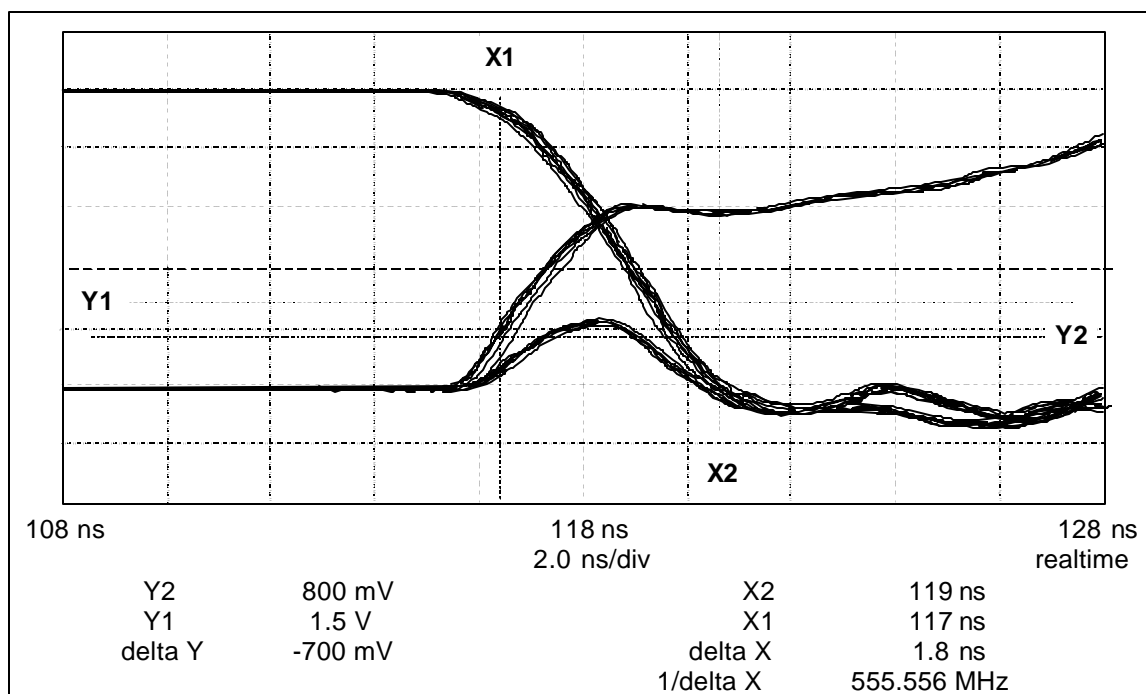
The difficult nature of measuring skew in actual systems makes simulations a more important tool in determining the effect on skew of design decisions regarding component I/Os, PCB layout, cable lengths, and other aspects of system design. Because of the well-controlled impedance of the 80-conductor cable assembly, single line transmission line models provide accurate predictions of the delay through the bus based on a given design choice for a given set of conditions on the bus. To be certain of the system-wide consequences of particular design choices, a large number of simulations encompassing many different combinations of parameters were used to determine the timing specifications for Ultra DMA mode 4. Results of these simulations are also the basis of the guidelines that follow.

Output skew is measured at the connector of the sender into capacitive loads to ground of 15 pf and 40 pf. An alternate loading arrangement is to measure the signal produced at the end of an 18-inch 80-conductor cable assembly into typical device and host loads of 20 pf or 25 pf that are held uniform across STROBE and DATA lines. Skew is measured at the crossing of the 1.5 volt threshold. All combinations of rising and falling edges on the signals involved are used when skew is measured.

Minimizing output skew is the best assurance of reliable signaling across the full range of cable loading and recipient termination conditions that will occur in systems.

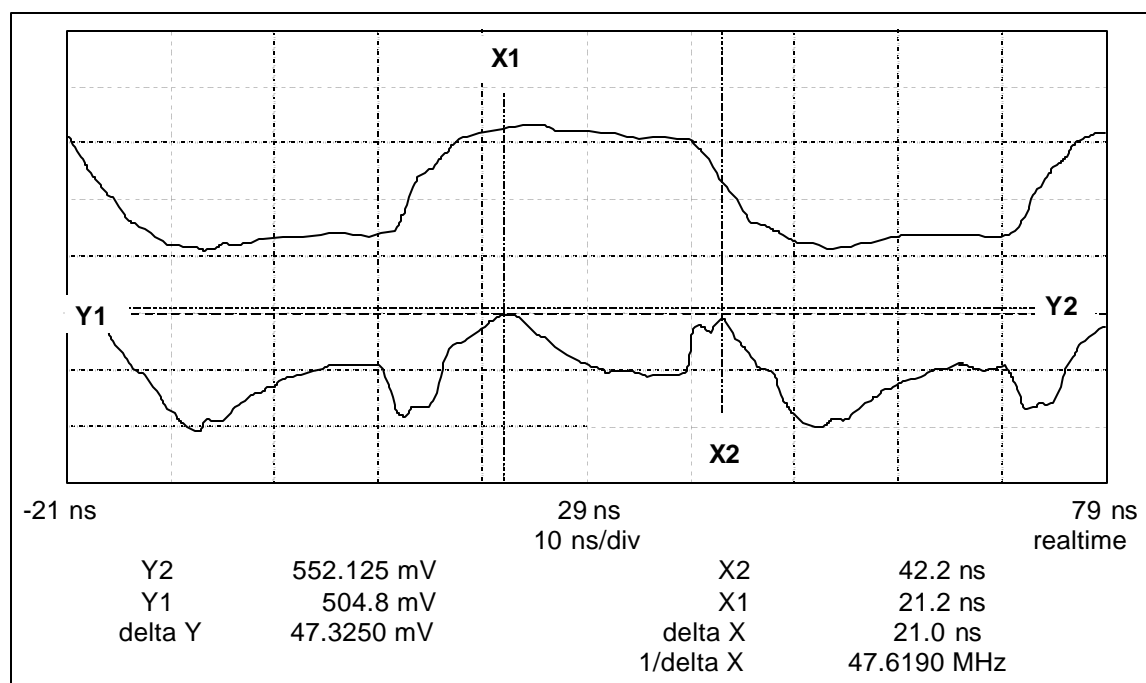
#### **D.2.2 Crosstalk**

Although the ground-signal-ground configuration of the 80-conductor cable assembly greatly reduces coupling between wires on the cable, the host and device connectors generate a large amount of crosstalk because they still use the original ground configuration with no ground lines separating the 16 signals of the data bus. In addition, crosstalk between traces on the PCB may reach high levels in systems with long traces or with tight spacing between traces. Cumulative crosstalk plus ground bounce measured at the connector of the recipient in typical systems using the 80-conductor cable ranges from 400 mV to 1 V peak, in short pulses with a frequency content equivalent to the frequency content of the edge rates of the drivers being used. Although this level of total crosstalk may seem like a hazard to reliable signaling, crosstalk exceeding 800 mV detected at the recipient does not affect the setup or hold times when it occurs during the interval when other signals are switching (see figure D.8). This figure was generated using the first falling STROBE edge for a trigger and showing a middle data signal staying low while all other lines switch high to low. With infinite persistence, the pattern was then changed to all lines switching low to high for the same STROBE edge. The crosstalk that occurs on the line staying low while all others switch high to low is in excess of 800 mV but has more hold and setup time margin than data lines that are switching and therefore it does not reduce setup or hold time margin.



**Figure D.8 – Positive crosstalk pulse during a falling edge (does not affect data setup or hold time)**

A larger signal integrity hazard exists when crosstalk extends into the middle of the cycle when data could be clocked. This may result from a high level of reverse crosstalk detected at the recipient as the reflected signal propagates from the recipient input back to the sender output in the switching lines.



**Figure D.9 – Reverse crosstalk waveform from reflected edge (seen at the receiver in the middle of a cycle – marker X1)**

Reducing a system's creation of and susceptibility to forward and reverse crosstalk requires an understanding of how crosstalk is generated and propagates through the system. Crosstalk results from coupling between signals in the form of either a capacitance from one signal conductor to another or inductors in the path of each

signal with overlapping magnetic fields. The capacitive and inductive coupling are easiest to understand if treated as separate effects.

### D.2.2.1 Capacitive coupling

Capacitive coupling in its simplest form consists of a capacitor connecting together two transmission lines somewhere along their length. When a change in voltage occurs on one line (called the “aggressor” line), a pulse on the non-switching signal (called the “victim” line) is produced with a peak amplitude proportional to the rate of change of voltage (dV/dt) on the aggressor line. The pulse on the victim line propagates both forward and backward from the point of coupling and has the same sign in both directions. Forward and backward are defined relative to the direction that the aggressor signal was propagating. Forward means that the propagation is in the same direction that the aggressor signal was propagating. Backward means that propagation is opposite the direction that the aggressor signal was propagating. Figure D.10 is a schematic of a model for capacitive coupling. Figure D.11 shows waveforms resulting from capacitive coupling at the sender and recipient component I/Os of the aggressor and victim lines.

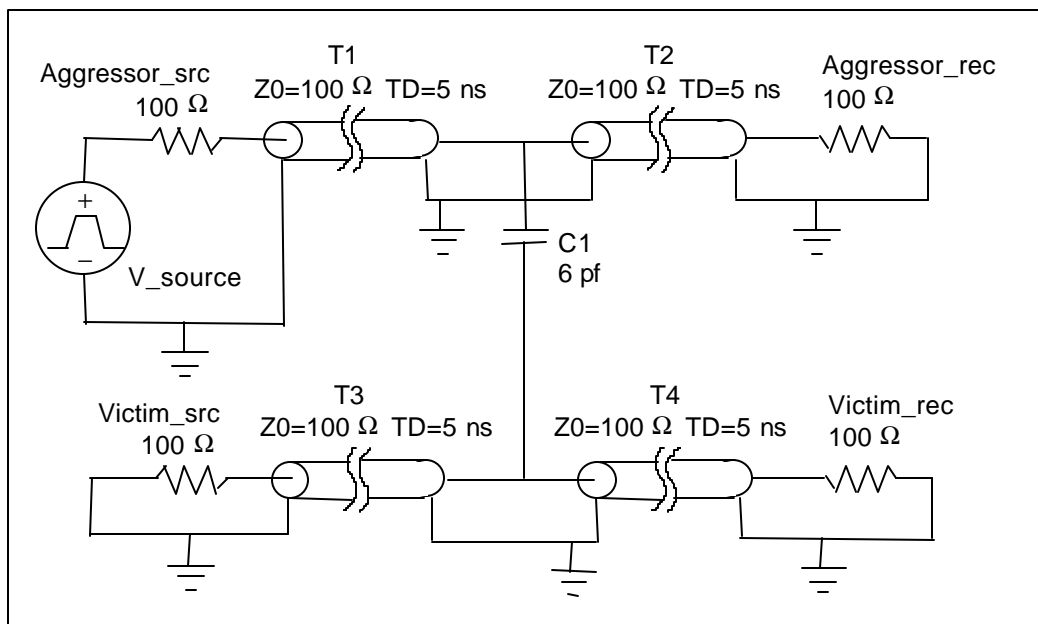
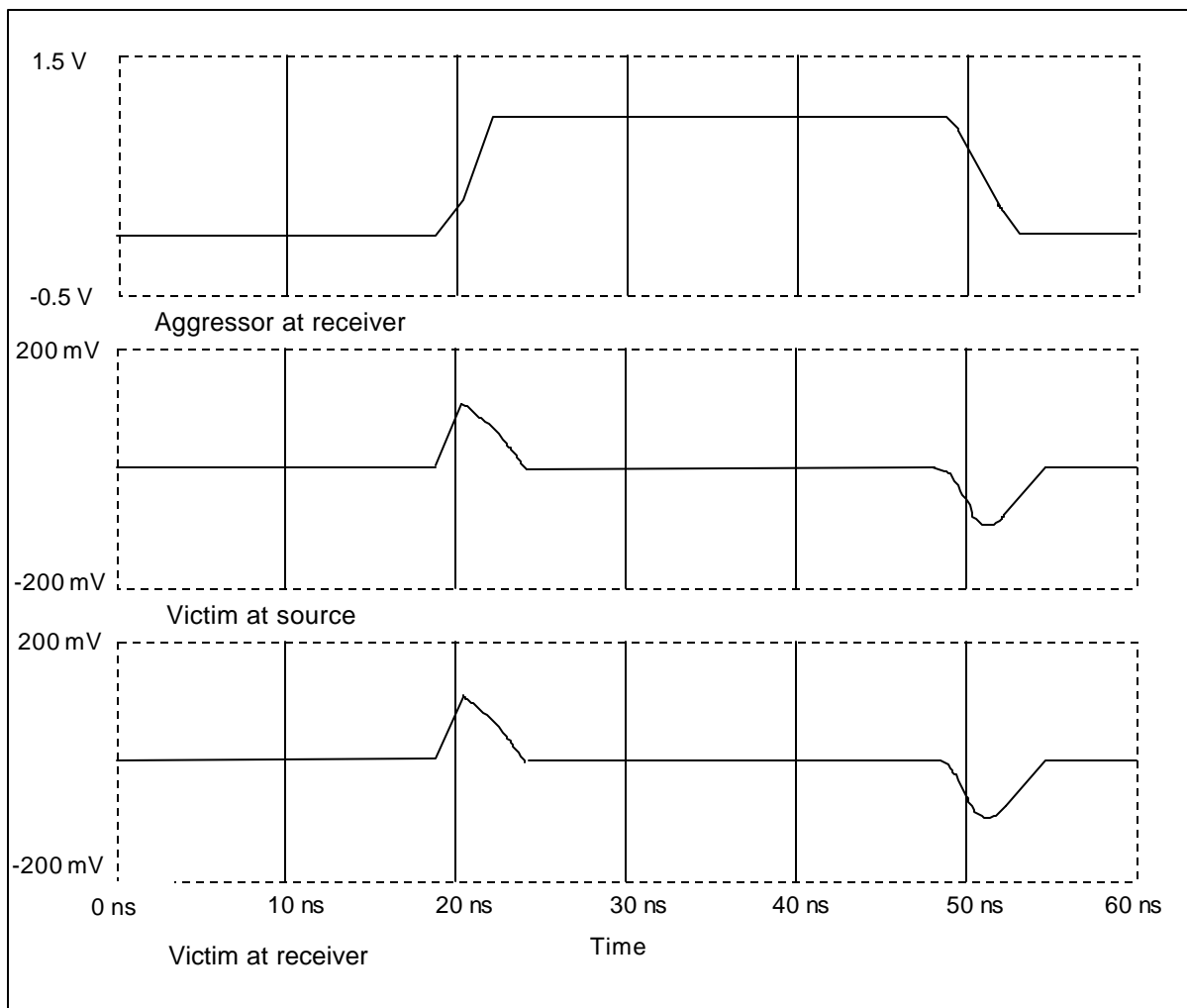


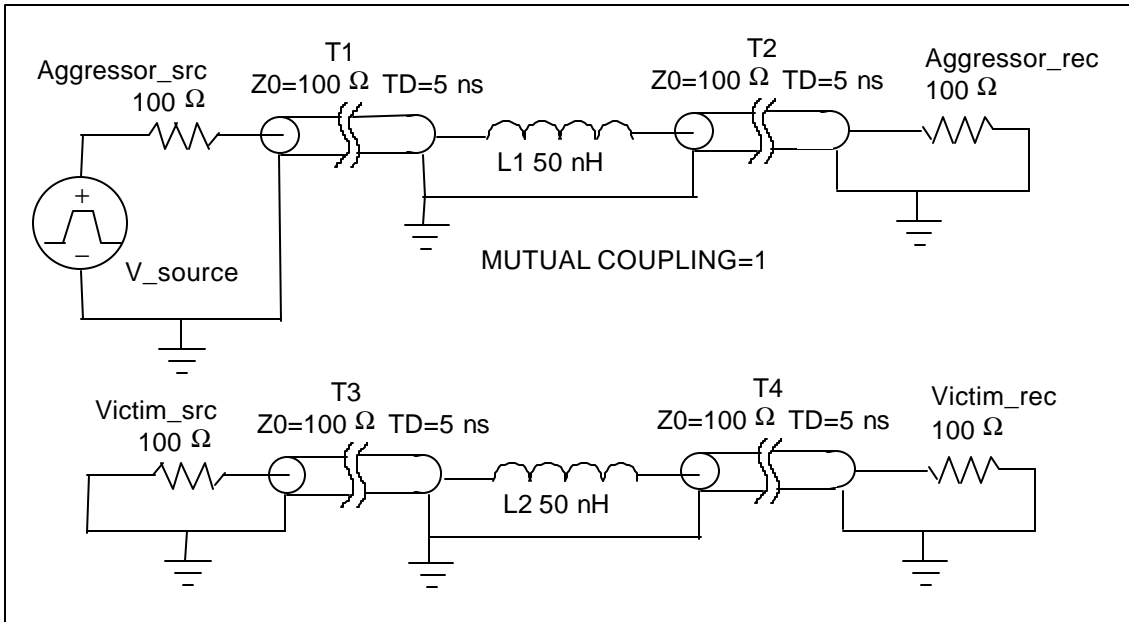
Figure D.10 – Model of capacitive coupling



**Figure D.11 – Waveforms resulting from capacitive coupling (at transmitter and receiver of aggressor and victim lines)**

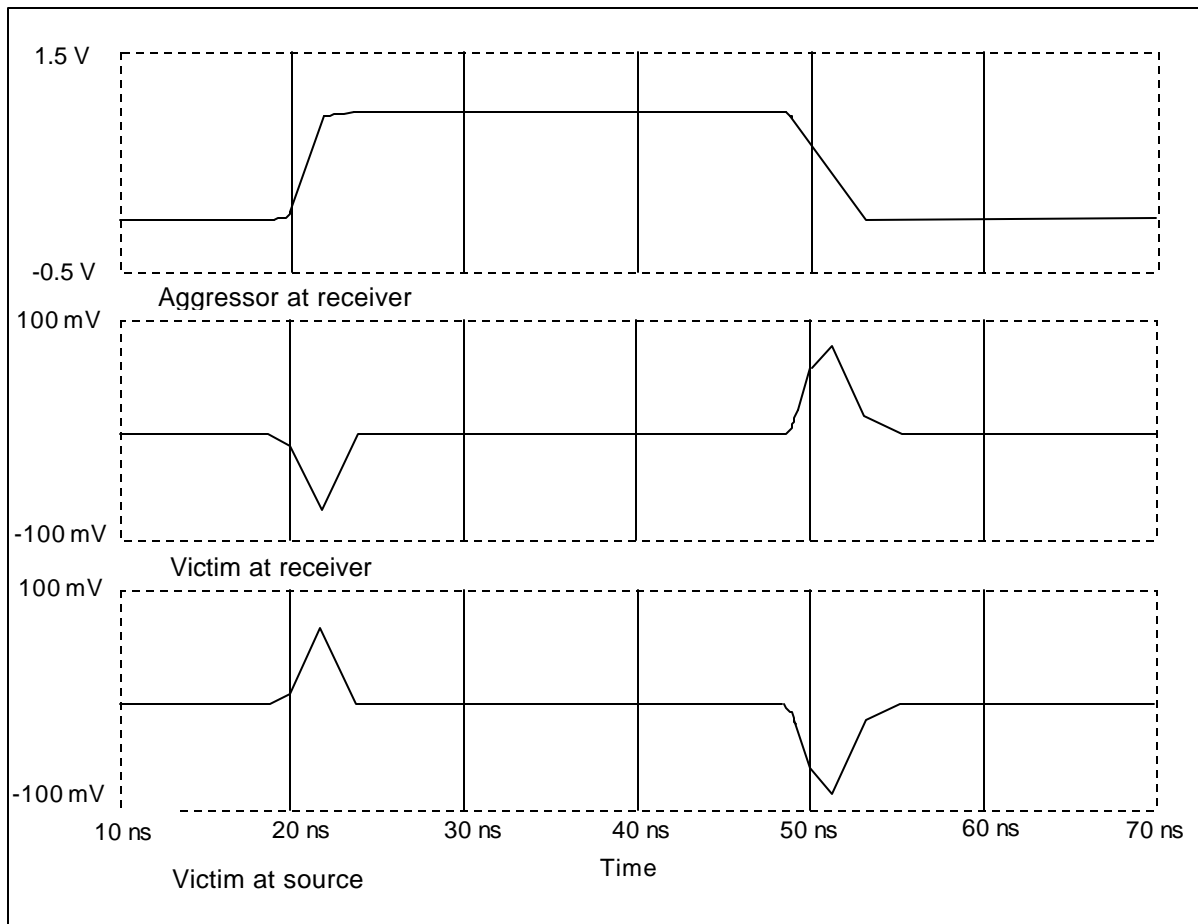
### D.2.2.2 Inductive coupling

In the following inductive coupling is modeled as an inductor in series with each signal, with some coupling factor  $K$  representing the extent to which the inductors' magnetic fields overlap. In effect these two inductors constitute a transformer, creating a stepped-down version of the aggressor signal on the victim line. The amplitude of the signal produced on the victim line is proportional to the rate of change in current ( $di/dt$ ) on the aggressor line. Since the impedance of a transmission line is resistive, for points in the middle of a transmission line  $di/dt$  will be proportional to  $dV/dt$ . Because the crosstalk signal produced across the inductance in the victim line is in series with the transmission line, it has a different sign at each end of the inductor. Because the current in an inductor always opposes the magnetic field that produced it, the polarity of the crosstalk signal is reversed from the polarity of the  $di/dt$  on the aggressor line that produced it. As a result of these two facts, inductive crosstalk creates a pulse of forward crosstalk with polarity opposite to the edge on the aggressor, and a pulse of reverse crosstalk with the same polarity as the aggressor edge. Figure D.12 is a schematic of a model for inductive coupling. Figure D.13 shows waveforms resulting from inductive coupling at the sender and recipient component I/Os of the aggressor and victim lines.



**Figure D.12 – Model of inductive coupling**

Note that the box in this figure, figure D.14, and figure D.18 between L1, L2 and K2 is a PSPICE element representing the inductive coupling between L1 and L2 having the coupling value listed in the figure.



**Figure D.13 – Waveforms resulting from inductive coupling (at transmitter and receiver of aggressor and victim lines)**

### D.2.2.3 Mixed capacitive and inductive coupling

Most occurrences of electromagnetic coupling involve both capacitive and inductive coupling. In this case the forward and reverse crosstalk contributions of the capacitance and inductance add together. Because the forward inductive crosstalk and the forward capacitive crosstalk have opposite signs, they tend to cancel, while the reverse crosstalk from both effects have the same sign and add together. Depending on the ratio of inductive to capacitive coupling, the forward crosstalk may sum to zero when both effects are added together. Figure D.14 is a schematic of a model for mixed capacitive and inductive coupling. Figure D.15 shows waveforms resulting from mixed capacitive and inductive coupling at the sender and recipient component I/Os of the aggressor and victim lines.

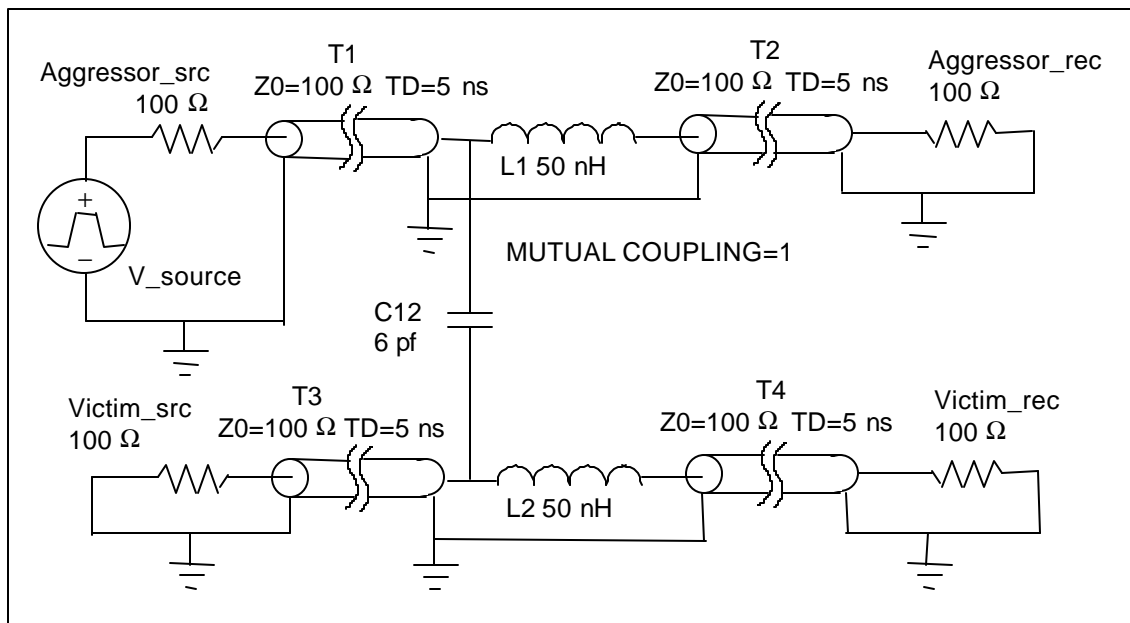
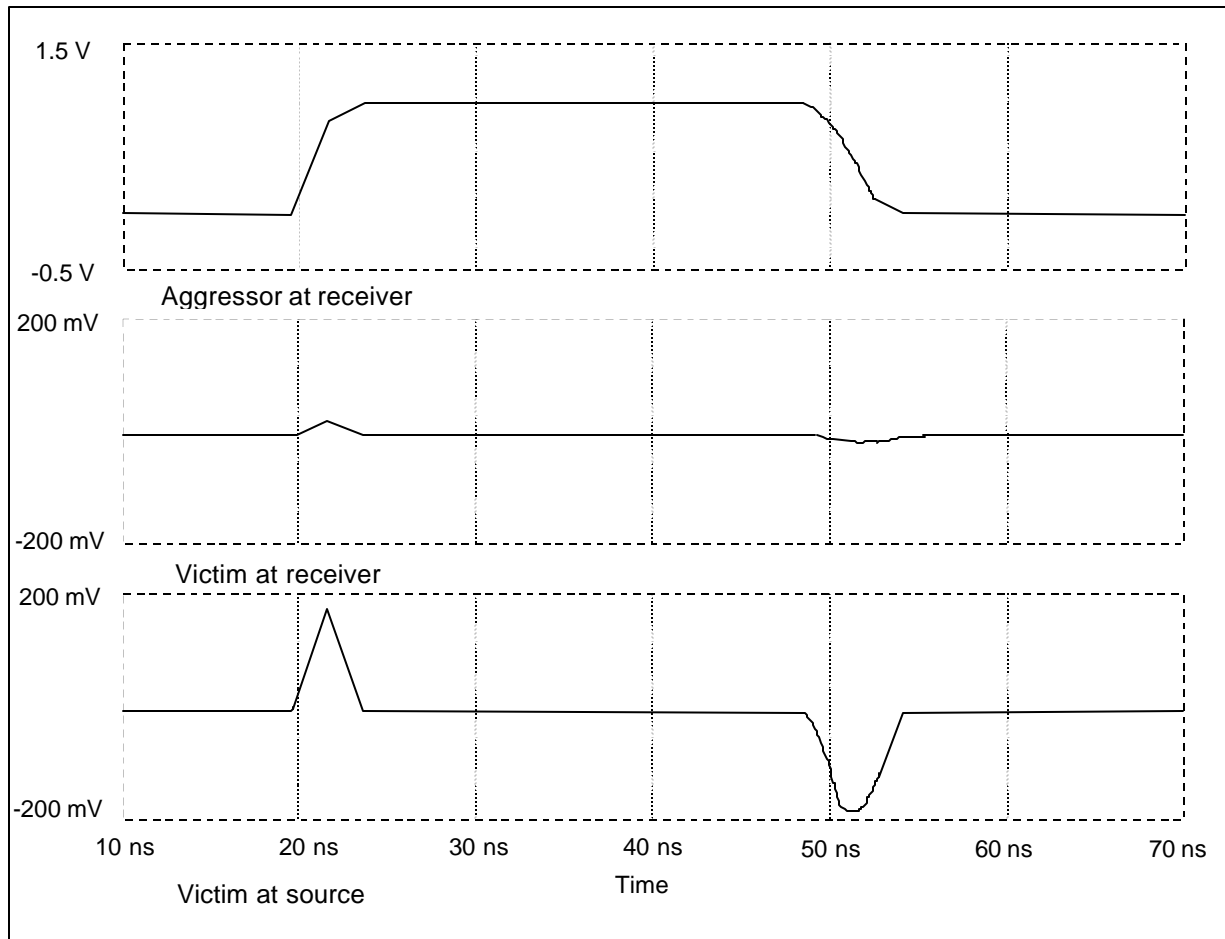


Figure D.14 – Model of capacitive and inductive coupling

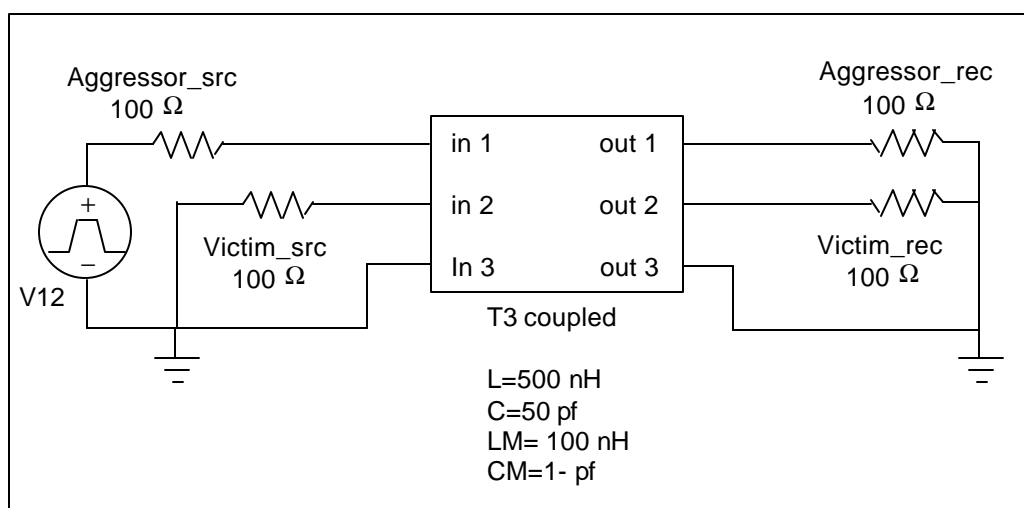


**Figure D.15 – Waveforms resulting from mixed capacitive and inductive coupling (at transmitter and receiver of aggressor and victim lines)**

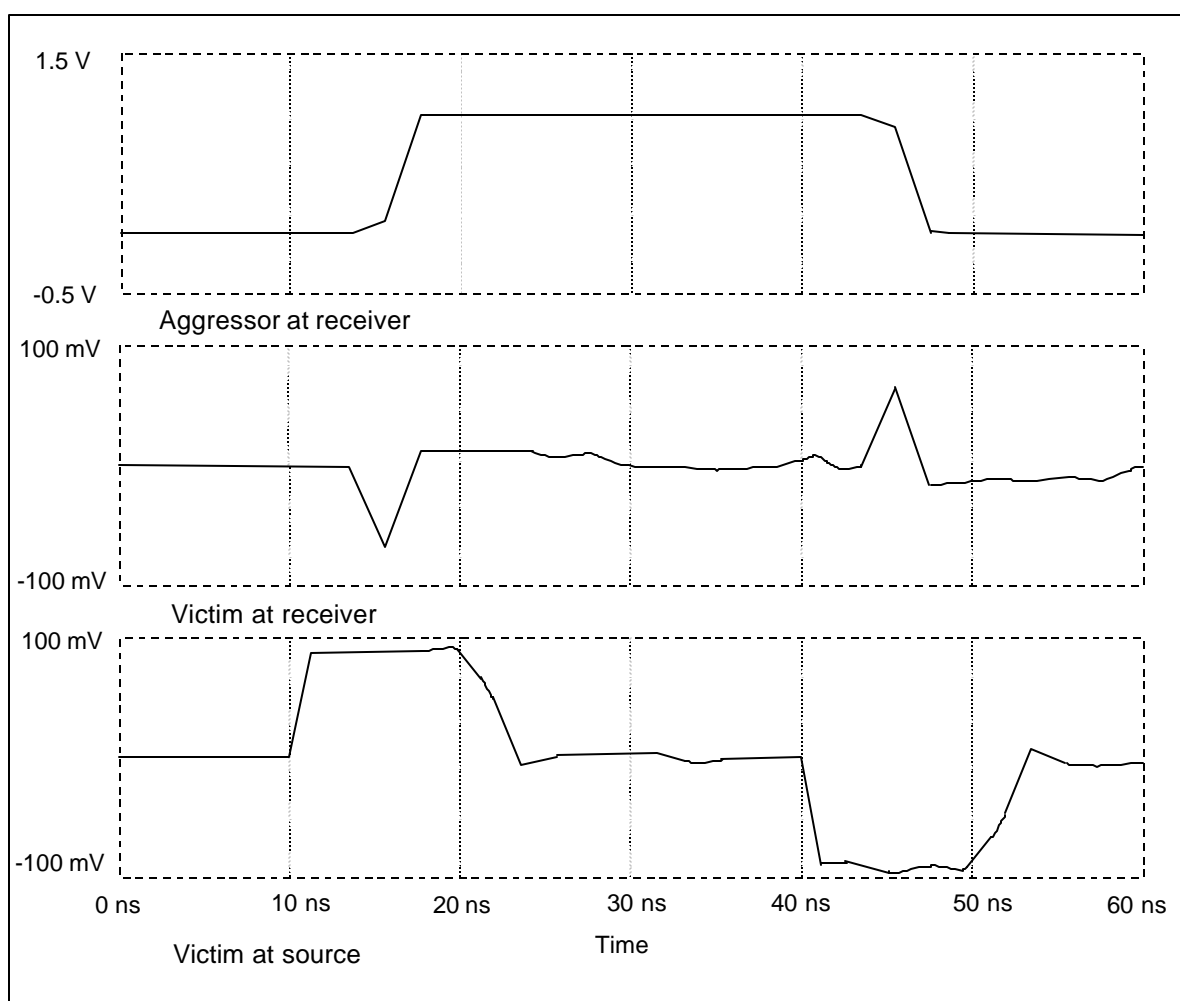
#### D.2.2.4 Crosstalk from distributed coupling

When transmission lines are placed parallel with and in close proximity to each other, as is the case for PCB traces, wires in a ribbon cable, etc., the coupling that occurs is continuous along the length of the transmission lines. To find the crosstalk waveforms at the source and recipient, divide the transmission lines into segments and treat each segment as an instance of capacitive and inductive coupling. Each segment produces forward and reverse crosstalk as the aggressor edge goes by. Sum the contributions from each of these segments, delaying their arrival at the ends according to the segment's position along the transmission line. Doing this shows that the forward crosstalk contributions all add together and arrive simultaneously with the aggressor edge, while the reverse crosstalk is spread out along the length of the transmission line and produces a long flat pulse travelling back toward the source. Figure D.16 shows a schematic model for a transmission line with three coupled conductors, connected as two signal wires and a ground return. The waveform at the source end of the victim line in figure D.17 shows that the reverse crosstalk pulse begins when the edge is driven onto the aggressor line and continues to be observed at the source until one system delay after the end of the edge is terminated at the recipient on the aggressor line. The waveform at the victim recipient's component I/O shows that the forward crosstalk arrives simultaneously with the edge on the aggressor line, or even slightly before, due to the fact that the energy in the crosstalk pulse has been subtracted from the edge on the aggressor, reducing its rise time at the recipient.





**Figure D.16 – Model of distributed coupling**



**Figure D.17 – Waveforms resulting from distributed coupling (at transmitter and receiver of aggressor and victim lines)**

The above simulation results of figures D.11, D.13, D.15, and D.17 are simplified by the assumption that all transmission lines are perfectly terminated at both ends. In actual systems only the sender end of the bus has a low-impedance termination to ground, and this termination is seldom perfect. The consequences of this help to explain some characteristics of crosstalk in a system:

- 1) Crosstalk is produced by both the initial and reflected edges on the aggressor lines. Forward crosstalk produced by the initial edge as it propagates from the sender to the recipient arrives at the same time as the edge that produced it. The edge on the aggressor signals reflects from the high impedance at the recipient input (or at the end of the cable) and returns back to the sender. Reverse crosstalk produced as this reflected edge propagates back to the sender is observed on the victim line at the recipient.
- 2) If reverse crosstalk from the initial edge is not perfectly terminated at the sender's component I/O it will be reflected (with reduced amplitude) back towards the recipient. The quality of the sender's component I/O termination depends on the instantaneous output impedance of drivers as they are switching, as well as the "on" resistance of the drivers in the high or low state once they have completed switching. Since the source impedance is made up of the driver output impedance in series with the termination resistors, the most accurate source termination is achieved by using drivers with low output impedance combined with high value series resistors, creating a total output impedance near 75  $\Omega$ .
- 3) Crosstalk is observed with doubled amplitude at the high-impedance endpoint of the system (at the host input during READ operations and at the device input at the device end of the cable during WRITE operations) due to the reflection. Since crosstalk occurs as a pulse rather than a step, the initial and reflected portions of the pulse only sum at the endpoint while the pulse is reflecting, and not at other points along the bus.
- 4) Series termination resistors at the receiving end of the bus serve to attenuate the amplitude of crosstalk observed at the receiving component I/Os. Because the component I/O impedance is predominantly capacitive, its impedance decreases at high frequencies. At the frequency where the impedance of the component I/O equals the impedance of the series termination resistor, the crosstalk pulse amplitude observed at the IC input will be about half of the amplitude measured at the connector. The formula for determining this frequency is  $F = 1 \div (2 * \pi * R * C)$  where F is the frequency, R is the value of the series termination resistor, and C is the input capacitance of the recipient's component I/O. So when crosstalk levels are high enough to be a serious concern, the best place to make measurements of the crosstalk is at the component I/O or on the IC side of the termination resistor. In design of systems, this filtering effect is used to reduce a system's susceptibility to crosstalk by increasing the value of series termination resistors and placing them close to the connector to maximize the amount of capacitance on the IC side of the resistor.

In systems using the 80-conductor cable the largest contributors to crosstalk are the connector at the sender, and the PCB traces in systems with long traces or a large amount of coupling between traces. The connector at the receiving end of the system generates less crosstalk than the one at the sending end because the net current flow through the aggressor lines is less at the receiving end. This is because the load on the IC side of the recipient's connector is the PCB trace and a small capacitance inside the component I/O; only enough current flows through the connector to charge this total capacitance. At the sending end of the system, the instantaneous value of current through the connector is determined by the input impedance of the cable, and this amount of current flows for a length of time sufficient to charge the entire system including the cable and all attached devices up to the sender's  $V_{OH}$ .

Crosstalk in the connectors is almost entirely inductive. It is produced in both directions from the connector but not necessarily in equal amplitudes. The highest amplitude crosstalk is generated by many switching lines coupling into a small number of victim lines, that lowers the effective source impedance of the crosstalk, making it approximate a voltage source. This voltage source is in series with the transmission line impedance on each side of the connector on the victim line. As a result, the crosstalk voltage is divided between the two directions proportional to the impedance seen in each direction. Figure D.18 shows the schematic of a model that demonstrates this. The PCB and cable on the victim line have been replaced with resistors to simplify the resulting waveforms. Figure D.19 shows the current through the inductor on the aggressor line and the crosstalk voltage produced on the victim line into the resistors representing the PCB and cable impedance. The waveforms indicate that the crosstalk voltage divides in the expected ratio. In this example the PCB receives  $(50 \div (82 + 50)) * 100 \% = 37.9 \%$  of the total voltage across the inductor, while the cable receives the remaining 62.1%. In an actual system, the crosstalk at the source is terminated by the driver impedance. The

crosstalk measured at the recipient's component I/O on the victim line is double the value of the crosstalk pulse initially produced into the cable impedance.

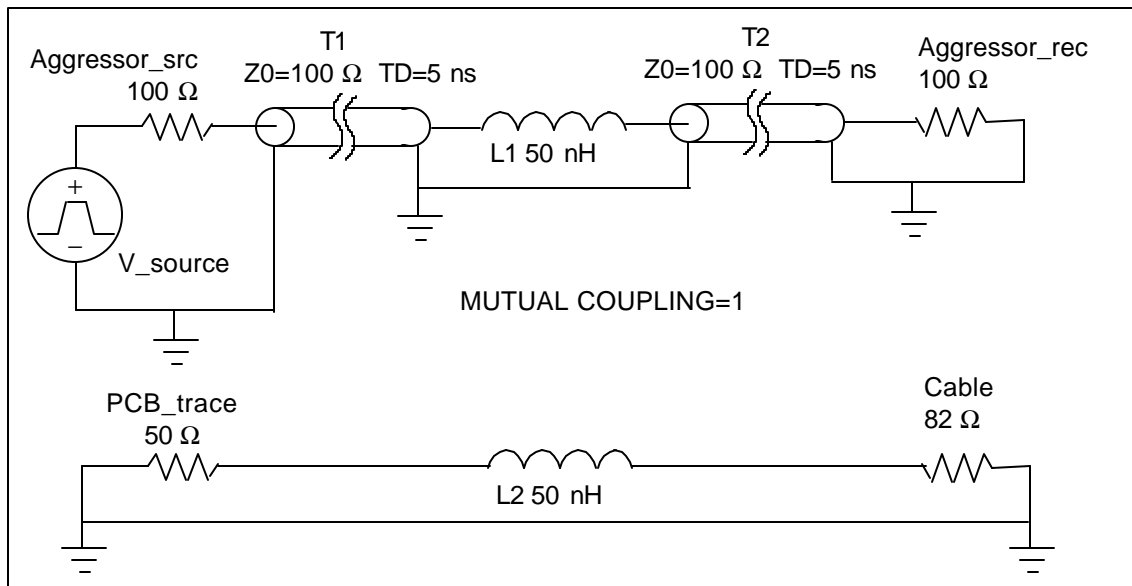


Figure D.18 – Model of voltage divider for connector crosstalk formed by PCB and cable

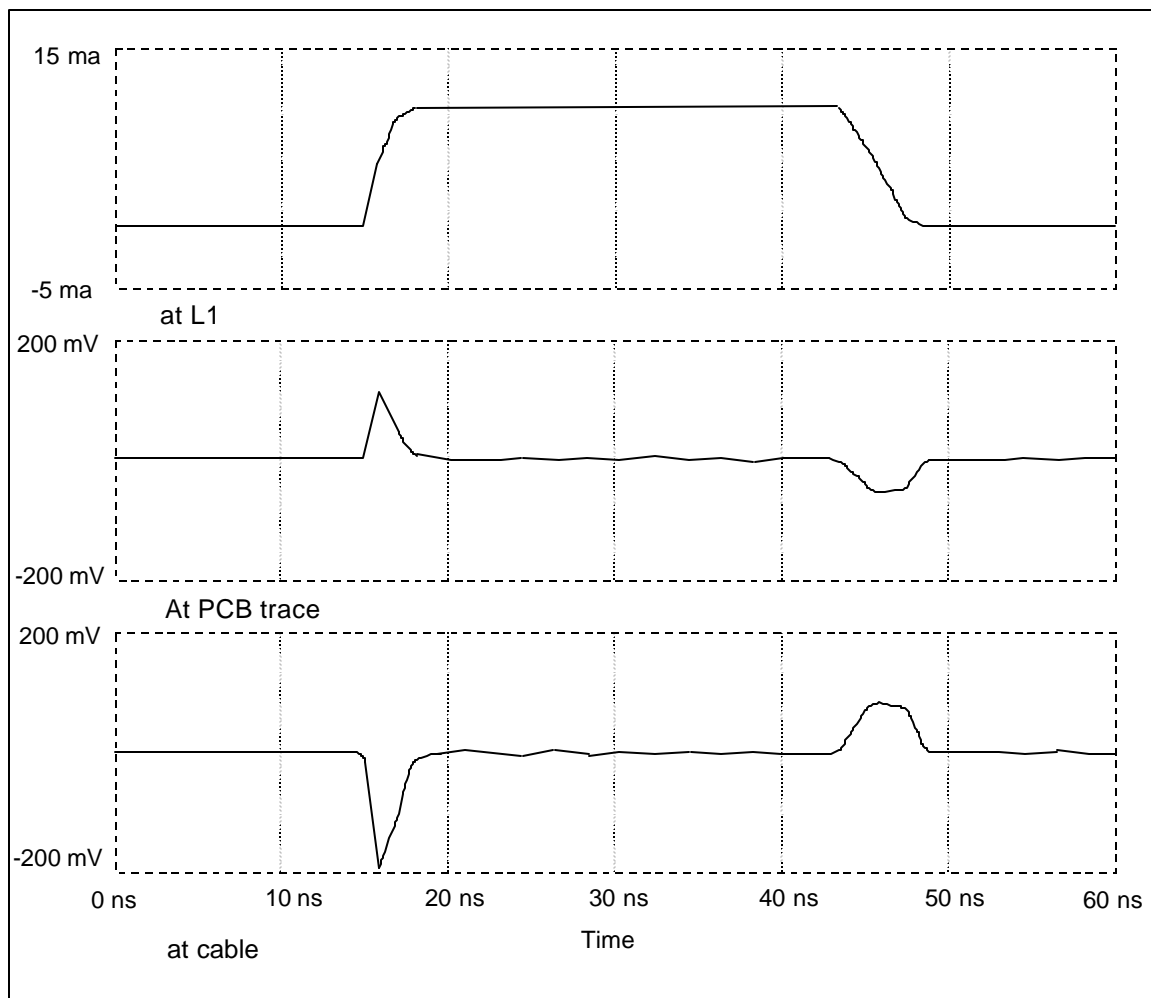


Figure D.19 – Waveforms showing connector crosstalk dividing between PCB and cable

For each edge on the bus four crosstalk pulses are created on non-switching victim lines due to the combined crosstalk in the PCB, connector, and cable:

- 1) Forward crosstalk from the initial edge has the same sign as the edge and is seen at the recipient as a pulse that arrives with the edge. The amplitude of the pulse is doubled at the recipient's component I/O, however because it occurs during the interval when the data is changing it may decrease the signal's setup or hold time but it presents a minor risk to data integrity overall.
- 2) Reverse crosstalk from the initial edge travels back towards the driver as a flat pulse with a width equal to the transition time of the driver. Based on the degree of mismatch between the driver's output impedance and the cable impedance, this pulse may be reflected back towards the recipient with reduced amplitude. Because it continues to arrive at the recipient well after the driver has completed switching, it creates a risk of incorrect data at the recipient in the middle of the cycle. However, it is unlikely to ever create a high enough amplitude at the recipient to cause a problem.
- 3) Forward crosstalk from the reflected edge arrives back at the driver simultaneously with the reflected edge on the aggressor lines. Depending on the impedance mismatch at the source, the edge will be reflected back towards the recipient with reduced amplitude and arrives in the middle of the cycle, however this edge will seldom create a high enough amplitude at the recipient to cause problems.
- 4) Reverse crosstalk from the reflected edge on the aggressor lines will be created travelling back toward the recipient and arrives there in the middle of the cycle. In host systems where the termination resistors are not placed next to the connector a larger portion of the crosstalk created in the connector will be reverse crosstalk on the cable side because of the divider formed by the 50 to 60  $\Omega$  PCB and the 82  $\Omega$  cable impedance. The pulse will be seen with doubled amplitude by the device at the end of the cable and presents a serious hazard to data integrity if its amplitude at the recipient's component I/O exceeds 800 mV.

#### **D.2.2.5 Measuring crosstalk in a system**

To measure the total crosstalk in a system set up a data pattern in which one line in the middle of the data bus is held low while all other lines are asserted simultaneously. Measure the low line at the recipient connector or component I/O. This measurement includes ground bounce at the sender IC discussed in D.2.3 as well as the contributions to crosstalk of the PCBs, connectors, and cables. Determining the exact sources of the different features of the crosstalk measured by this technique is difficult. An effective method to isolate the crosstalk produced into a victim line in a given portion of the system is to sever the line before and after the feature being tested. Terminate the isolated segment to ground at the breaks with resistors equivalent to the transmission line impedance that is normally seen at those points. Measuring the crosstalk voltage across the termination resistors will indicate the raw quantity of crosstalk into the victim line produced by that portion of the system, independent of reflections due to impedance mismatches and attenuation due to capacitance along the bus. Adjusting for impedance mismatches and delays will allow the crosstalk from that portion to be identified in the total crosstalk of the system, and adjusting the impedance changes through the system may allow the impact of that crosstalk to be minimized.

#### **D.2.2.6 System design considerations to minimize crosstalk**

Because all crosstalk throughout the system is proportional to edge rate, a major factor in controlling crosstalk is controlling the output slew rate of the drivers. Another major factor is the impedance match of sources to the cable including the value and placement of termination resistors. Source impedance matching is important to prevent reverse crosstalk from reflecting off the source and out to the recipient. Drivers, PCB layout, and termination resistors are selected to provide a good source termination for crosstalk and the reflected signal edge. Ideal termination at each connector is when the impedance seen looking back toward the source matches the cable impedance in the forward direction. For devices, this means that the sum of driver output impedance and termination resistance match the cable impedance (typically 80 to 85  $\Omega$ ), minus five to ten percent to allow for attenuation due to the capacitive loading of other devices on the cable. Because the PCB traces on a device are short, they have little effect on the device's output impedance

Due to other design constraints, many hosts PCB traces are so long that, for high-frequency crosstalk, the impedance at the host connector is determined by the PCB trace impedance and termination resistors (if they

are located at the connector), rather than by the driver's output impedance. Because of this, there are two options for hosts with longer traces to ensure an ideal source termination:

- 1) Place the termination resistors near the sender's component I/O and use a PCB trace impedance that matches the source impedance of the sender's component I/O plus termination resistor. This ideal impedance is slightly less than the cable impedance. In this case, trace impedance of 70 to 75  $\Omega$  with a large enough trace spacing to keep crosstalk (especially reverse crosstalk) between PCB traces to a minimum is ideal.
- 2) Place the termination resistors near the connector and select PCB trace impedance and termination resistance to sum to the cable impedance or slightly less. In this case, matching the sender's component I/O source impedance to the PCB trace impedance rather than the cable impedance is ideal, since that is the load that it is immediately driving.

Option 2 is desirable for backward compatibility with older systems using the 40-conductor cable because placing the resistor near the connector helps to damp the ringing that occurs with that cable. In addition, 50 to 60  $\Omega$  traces are easier to implement and produce less crosstalk than higher impedance traces making the second option a better choice in most cases.

In either case, matching the total output impedance to the cable impedance under all conditions of steady-state or switching, or experiencing over or undershoot conditions is the best solution.

### D.2.3 Ground/Power Bounce

Supply bounce is a form of crosstalk that results from changes in current through power and ground pins of IC packages. For single-ended drivers, the return current for all signals flows through the power and ground leads, with the result that any voltage drop across these pins is imposed on all signals equally. Voltage drops across these pins occur due to both resistance and inductance whenever there is a net current flow into or out of the signal pins of the IC, though inductance has the greatest effect. In terms of the voltage seen at the recipient's component I/O, crosstalk due to supply bounce is indistinguishable from inductive crosstalk, with a sign opposite the polarity of the edge on the aggressor signal(s). See figure D.20 for a model of ground bounce in an IC package. See figure D.21 for waveforms resulting from ground bounce at the sender's and recipient's component I/O of the aggressor and victim signals.

In order to measure supply bounce in a functioning system, it is necessary to remove all other sources of crosstalk (especially reverse crosstalk from points later in the system). To remove the other sources of crosstalk, disconnect the component I/O pin on which the measurement is being taken from the PCB and measure the voltage at the component I/O while all other lines are switching. The initial and the reflected edges on the switching lines will produce supply bounce. Measurements with the victim line in a high state show power bounce and with the victim line in a low state show ground bounce. The ground inside the IC will "bounce" and produce crosstalk on a low victim line when many lines are switching from high to low and sinking current through the ground pins. The power inside the IC will "bounce" and produce crosstalk on a high victim line when many lines are switching from low to high, and drawing current through the power pins.

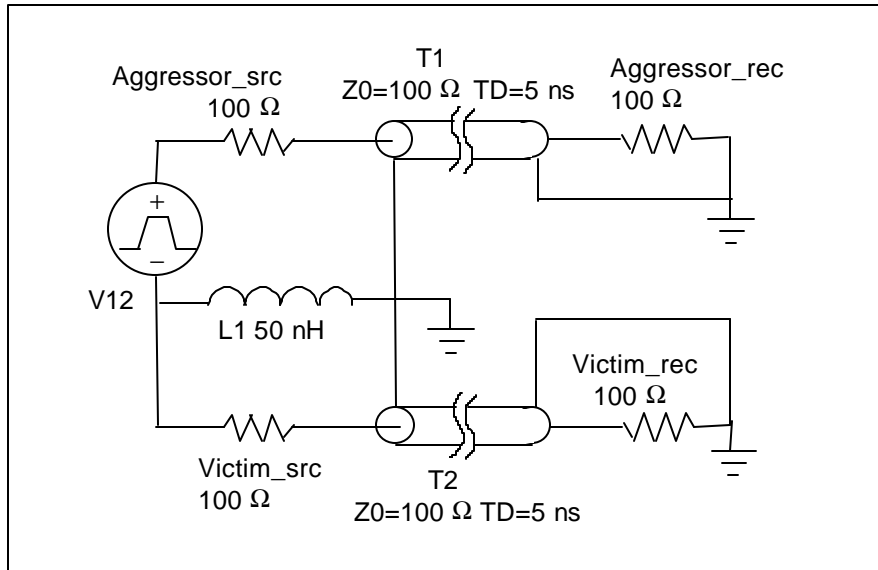


Figure D.20 – Model of ground bounce in IC package

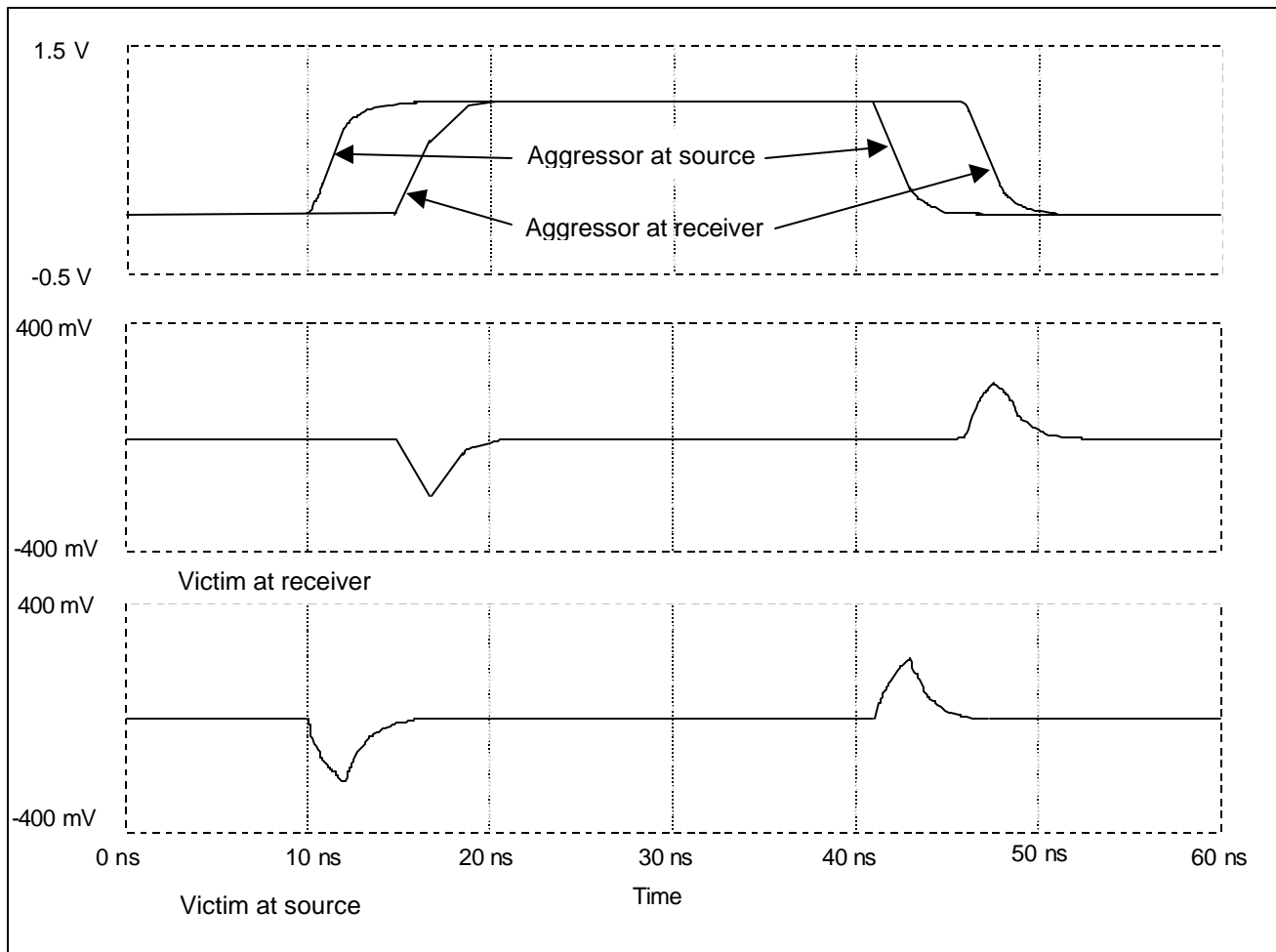


Figure D.21 – Waveforms resulting from ground bounce (at transmitter and receiver of aggressor and victim lines)

### D.2.4 Ringing and data settling time (DST) for the 40-conductor cable assembly

High amplitude ringing may occur for some data patterns in systems using the 40-conductor cable assembly. The sixteen data lines (DD 15:0) in a 40-conductor cable assembly are adjacent to each other and have only one ground on each side of the data lines. There are only seven ground lines present in the entire cable assembly. This lack of ground return paths has three negative effects on data signal integrity:

- 1) Crosstalk between data lines is very high due to inductive coupling.
- 2) Conductors in the center of the set of data lines (e.g., DD 11) exhibit very high inductance because the distance from these signal lines to the current return path is large and the ground return path is shared with many other signal lines.
- 3) Conductors in the center of the set of data lines are shielded from ground by the other data lines around them. When these lines are switching in the same direction there is no potential difference and therefore no effective capacitance between lines.

This combination of factors results in the impedance of the conductors in the center of the set of data lines rising from 110 to 150  $\Omega$  (measured when a single line is asserted or negated) to an almost purely inductive 300 to 600  $\Omega$  when all lines are asserted or negated simultaneously in the same direction. Measured impedance varies with data pattern, edge rate, cable length, loading, and distance from chassis ground.

Unlike the 40-conductor cable, the 80-conductor cable has the additional 40 ground lines making all signals ground-signal-ground. This makes the 80-conductor cable impedance relatively constant with respect to pattern. Matching impedance and controlling PCB trace geometry as discussed in D.2.2 will result in well damped ringing and crosstalk in victim lines that remains below 800 mV.

In the following simplified model of the 40-conductor cable assembly with all data lines switching, a conductor in the center of the set of data lines is described as a pure inductor, forming a series RLC resonant circuit with the capacitance of the component I/O and PCB traces, and the combined resistance of the driver source impedance and source series termination resistor (see figure D.22). The voltage across C will ring sinusoidally in response to an input pulse at  $V_{\text{source}}$ , exponentially decaying over time towards a steady state value. The formula for determining the frequency of this ringing is  $F = 1 / (2\pi * \text{SQRT}(LC))$  where F is the frequency, R is the value of the series termination resistor, and C is the input capacitance of the recipient's component I/O. The rate of decay is proportional to R/L. Figure D.23 shows the output of a simple RLC model with the waveforms as seen at the connectors of the sender and recipient.

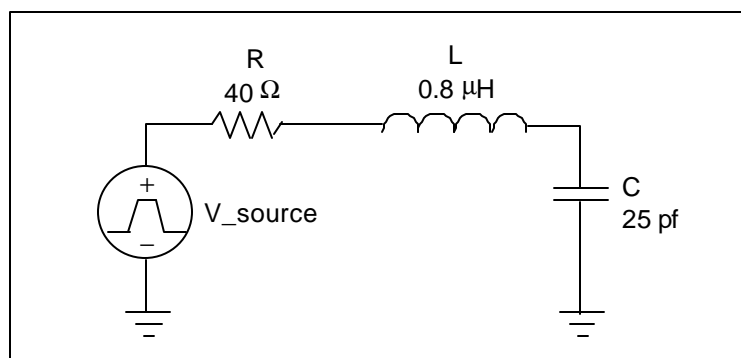
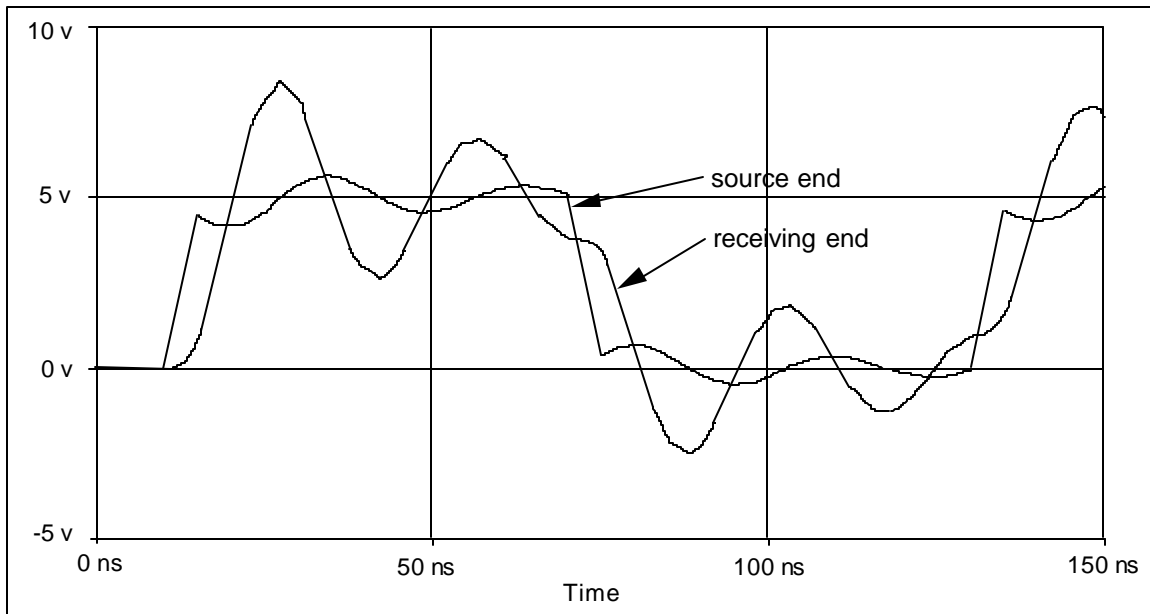


Figure D.22 – Simple RLC model of 40-conductor cable with all data lines switching



**Figure D.23 – Output of Simple RLC model: waveforms at source and receiving connectors**

Data settling time (DST) is defined as the portion of cycle time required for ringing to decrease in amplitude until a signal reaches the threshold of 2.0 volts ( $V_{iH}$ ) or 800 mV ( $V_{iL}$ ). The worst-case situation for most systems occurs when all data lines are switching except for one line near the middle of the bus that is being held low (see figure D.24).

In this situation crosstalk creates a pulse on the signal line being held low that rings with a frequency and damping determined by the effective RLC parameters of the system. The DST value is the duration of time between the nominal beginning of the cycle (i.e., when the switching lines cross the 1.5 volt threshold) and the time when the ringing on the line drops below  $V_{iL}$  for the last time as measured at the recipient's component I/O.



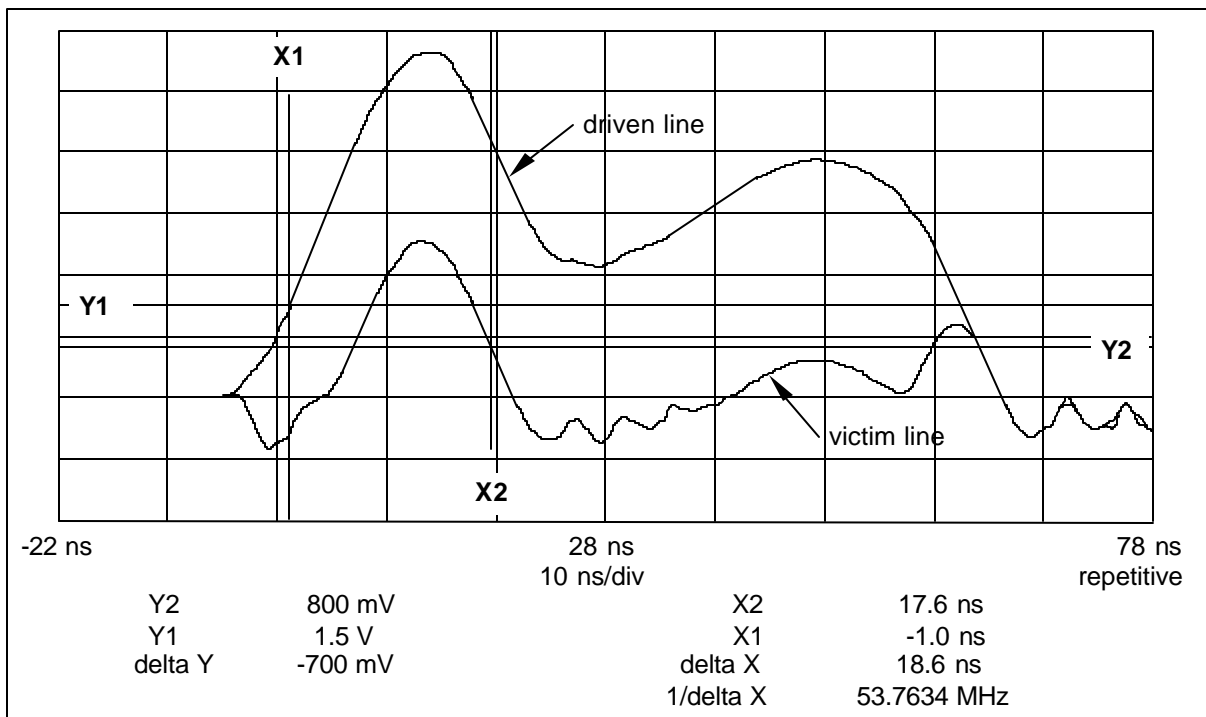


Figure D.24 – DST measurement for a line held low while all others are switching high (ch1 on DD3 at rec., ch2 on DD11 at rec.)

The same situation also occurs with reversed signal polarity (e.g., one line staying high while others are switching). Another case arises when all lines are switching simultaneously and the voltage on conductors in the center of the set of data lines rings back across the switching threshold (see figure D.25). This is normally only a problem in the high state as low side ringing is greatly reduced by the substrate diode clamp to ground that is inherent in CMOS logic.

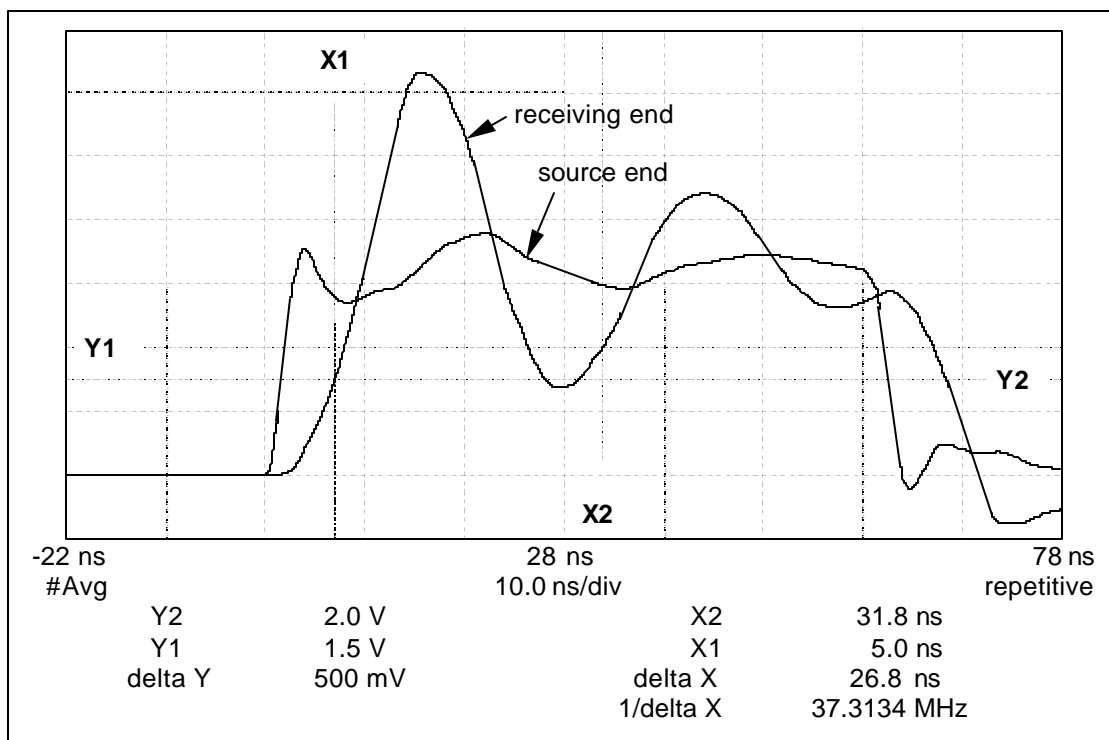
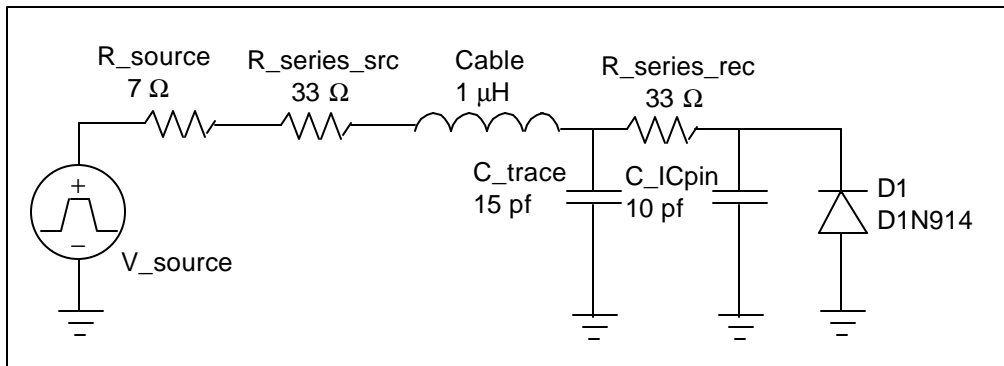


Figure D.25 – DST measurement for all lines switching (ch1 at source, ch2 at rec.)

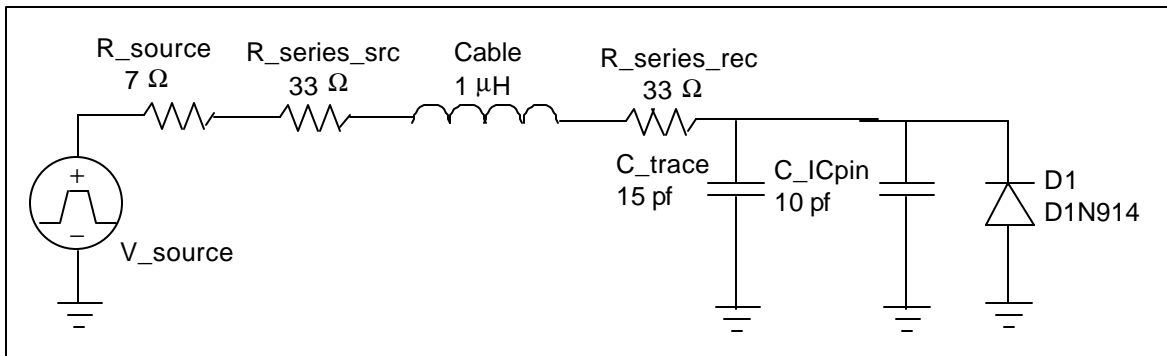
As seen in figure D.25, use of 3.3 volt signaling removes the high side voltage margin provided by the asymmetric threshold of the recipient input. Consequently it is important to use slew rate controlled drivers to control ringing.

**D.2.4.1 Controlling ringing on a 40-conductor cable assembly**

An improved RLC model allows comparison between different termination schemes (see figures D.26 and D.27). These models include separate capacitors to represent trace and component I/O capacitance at the recipient's component I/O, as well as a clamping diode, representing the substrate diode in CMOS logic. Because this single-line simplified model does not include crosstalk between lines in the data bus, it is not used to predict DST for a particular design and combination of parameters. However, it does indicate the direction of changes in ringing frequency and damping in response to changes in system parameters.

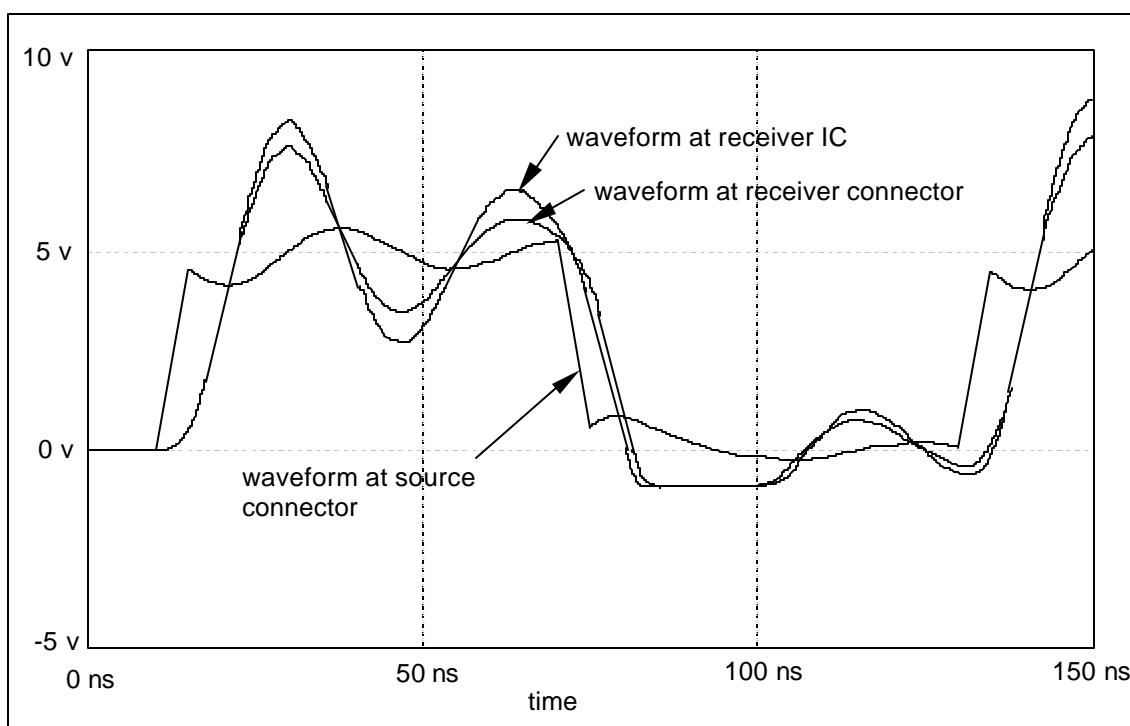


**Figure D.26 – Improved model of 40-conductor cable ringing with termination at IC**



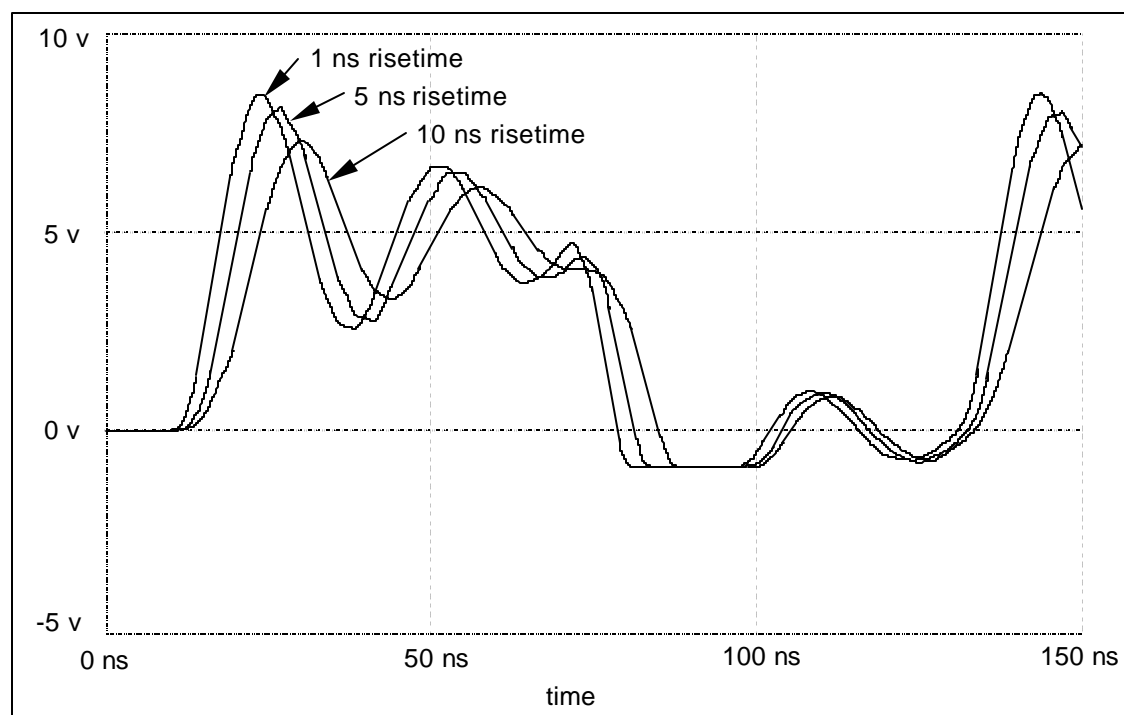
**Figure D.27 – Improved model of 40-conductor cable ringing with termination at connector**

Comparing the results (figure D.28) given by these models for recipient termination resistors located at the IC versus the connector shows that greater damping is provided when termination is near the connector.



**Figure D.28 – Results of improved 40-conductor model with termination at IC vs. connector**

These simple models are used in a similar way to determine the effects of changing slew rate, termination resistor value, output impedance, PCB trace length, or the length of the cable.



**Figure D.29 – Results of improved 40-conductor model with source rise time of 1,5,and 10ns**

As the results in figure D.29 show, increasing the rise time to above 5 ns results in a large decrease in the amplitude of the ringing. Drivers with control over the shape of rising and falling edges are used to reduce ringing even more.

Figures D.28 and D.29 show that, although the diode clamps the voltage at the recipient at one diode drop below ground, a ringback pulse appears at around 100 ns. This pulse occurs because the combined series resistance of the termination resistor and diode is much lower than the impedance of the LC circuit that is ringing. In addition the diode only clamps the voltage across part of the capacitance involved in the ringing. A higher-resistance clamping diode would be more effective at dissipating energy from the resonant circuit but would be less effective at clamping the input voltage.

#### **D.2.4.2 STROBE lines on the 40-conductor cable**

Although the data bus on the 40-conductor cable has such a high level of crosstalk that transmission line effects are barely perceptible, the STROBE lines on the 40-conductor cable have a more controlled impedance of about 115  $\Omega$  because they are in a ground-signal-ground configuration. Although the STROBE lines are well shielded against crosstalk from each other and from the data bus, some devices using drivers with fast edge rates and no source termination resistors have experienced problems with overshoot and ringback on the STROBE lines. Ringing will occur when a large impedance mismatch exists between the driver output impedance and the 115  $\Omega$  transmission line. If the ringback on a falling edge exceeds 800 mV, STROBE may cross the threshold multiple times and cause extra words to be clocked at the recipient. After these problems were experienced almost all device and host manufacturers began using series termination resistors on the STROBE lines at both the sender and the recipient.

With current component I/O technology and the requirement for series termination resistors, ringing on the STROBE lines is seldom a problem for current systems. However, it is important to keep in mind that these are high speed edge triggered signals, and the possibility of double crossing of input thresholds due to noise, ringing, or transmission line reflections still exists. Because of this it is important that all hosts and devices implement some amount of hysteresis on STROBE inputs in addition to glitch filtering by digital logic after the inputs.

### **D.3 System Guidelines for Ultra DMA**

This is a summary of recommendations for device, system, and chipset designers. These guidelines are not strict mandates, but are intended as tools for developing compatible, reliable, high-performance systems.

#### **D.3.1 System capacitance**

All hosts and devices are required in the body of the standard to meet maximum values of capacitance as measured at the connector. These values are specified to be 25 pf at the host and 20 pf at the device. With typical interface IC and PCB manufacturing technology, this limits host trace length to four to six inches. It is recommended that capacitance be measured at 20 MHz as this is representative of typical ringing frequencies on an 18-inch 40-conductor cable assembly.

PCB traces up to 12 inches long may be used if the following conditions are met:

1. The host chipset uses 3.3 volt signaling,
2. The host chipset allows timing margin for the additional propagation delay in all delay-limited interlocks,
3. Termination resistors are chosen to minimize input and output skew and are placed near the connector,
4. Total capacitance of traces, additional components, and host component I/Os is held to the minimum possible, and
5. An 80-conductor cable is installed for operation at Ultra DMA modes 2 and higher.

In this case capacitance at the connector will exceed the maximum value specified. As a result of this, systems may not operate reliably with a 40-conductor cable assembly in any Ultra DMA mode above mode 1 (22.2 megabytes per second). Under these conditions it is advisable that a host not set mode 2 or above without insuring that an 80-conductor cable assembly is installed in the system.

### D.3.2 Pull up and pull down resistors

Pull up and pull down resistors having a value below the specified minimum will increase skew. Use of a higher resistor value on IORDY (such as 2.0 k $\Omega$  or 3.3 k $\Omega$  will reduce skew and increase noise margin when IORDY is negated).

Placement of pull up and pull down resistors on the source side of the series termination minimizes loss of DC margin due to pull up/pull down current through the series termination resistors.

### D.3.3 Cables and connectors

Do not exceed the required 18 inch maximum cable length.

Space device connectors six inches apart on 40- and 80-conductor cable assemblies from twelve to eighteen inches in length. For cable assemblies shorter than twelve inches, place the connector on the cable for the device that is not at the end at the center of the cable.

Exceeding a spacing of six inches between device connectors on an 80-conductor cable will cause increased skew when signaling to or from the device not at the end of the cable. As spacing between the devices decreases on a 40-conductor cable, the capacitance of the two devices (or the host and the device not at the end of the cable) act in parallel, resulting in decreased ringing frequency and increased DST. Device connector spacing closer than six inches with an 80-conductor cable may be done.

In systems using a 40-conductor cable assembly, provide a continuous electrical connection from ground on the device chassis through the system chassis to the ground plane on the host PCB. Routing the cable in close contact with the chassis will reduce data settling time, as long as it is done without significantly increasing the cable length.

### D.3.4 PCB and IC design

As has been stated, matching the total output impedance of hosts and devices to the cable impedance is ideal to minimize reflections and reverse crosstalk due to the impedance mismatch between the PCB and cable. The impedance of the 80-conductor cable is specified to fall within the range of 70 to 90  $\Omega$  and is between 80 and 85  $\Omega$  for typical cables with solid wire and PVC insulation.

Keeping the ratio of PCB trace spacing to height above ground plane high helps to control crosstalk between traces.

Controlling PCB trace characteristics to minimize differences in propagation delay between STROBE and all DATA lines limits the skew. Factors that affect the delay are:

- 1) Trace length;
- 2) Additional capacitance due to stubs, routing on inner layers, pads, and external components such as pull up resistors and clamping diodes; and
- 3) Additional inductance due to vias, series components such as termination resistors, and routing across a break in the ground plane, over areas with no ground plane, or at a larger height above the ground plane.

In systems using an 80-conductor cable to support Ultra DMA modes 3 and higher, design drivers and series termination together to provide a stable output impedance matching the cable impedance across switching conditions and process and temperature variation.

Place series termination resistors as close as possible to the cable header or connector.

Choose series termination values to equalize input RC delays for the STROBE and DATA lines. For typical host IC implementations the same type of component I/O is used on all signals and therefore all termination resistors at both STROBE and DATA may have the same value.

Use sufficient ground and power pins on interface ICs to control supply bounce when many lines are switching at the same time.

### **D.3.5 Sender and recipient component I/Os**

The 80-conductor cable assembly impedance is less than half that of the typical 40-conductor cable assembly impedance when multiple lines are switching at the same time. For some types of drivers this will result in more than double the current draw during switching and as a consequence the amplitude of ground bounce will also double.

As is required in this standard, design drivers to have a slew rate of 1.25 V/ns or less across the full range of loading conditions, process, and temperature.

Design component I/Os to produce output setup and hold times at the connector as specified in this standard across the full range of loading conditions, process, and temperature. Provide margin to allow for skew introduced between the IC and the connector. Design device PCB traces and component I/Os to present similar loading between STROBE and DATA at the connector to minimize additional skew added to signaling between other devices on the bus.

Use hysteresis on both data and STROBE inputs. Initial voltage steps on the bus are at undefined levels and may be near the thresholds, causing slow slew rates through the threshold that result in high sensitivity to noise if hysteresis is not used.

Test drivers as well as host and device output characteristics at the connector with the following loading conditions:

- 1) 0 pf to ground (open circuit, minimize test fixture capacitance)
- 2) 15 pf to ground
- 3) 40 pf to ground
- 4) 470  $\Omega$  to ground, switching low to high
- 5) 470  $\Omega$  to  $V_{CC}$ , switching high to low

All tests (except open circuit) are conducted with the intended series termination resistance in place. Output skew and slew rates are measured between the series termination and the load.

## **D.4 Ultra DMA timing assumptions**

### **D.4.1 System delays and skews**

- Source Termination Resistor Delays:

Min rising source transition delay = 0.34 ns  
Min falling source transition delay = 0.23 ns  
Max falling source transition delay = 2.61 ns

- Recipient Termination Resistor Delays

Max rising recipient transition delay = 0.12 ns  
Max falling recipient transition delay = 0.12 ns

- transmission skews and delays

All skews are the STROBE delay minus the data delay. Maximum negative skew is the minimum STROBE delay minus the maximum data delay for a worst-case system configuration. Maximum positive skew is the maximum STROBE delay minus the minimum data delay for a worst-case system configuration. The worst case system configurations were determined through simulation and include all possible system configurations that meet the requirements of the standard. Included in these values is skew due to PCB trace length variation, PCB trace impedance variation, recipient component I/O capacitance variation, sender and recipient series termination variation, pattern variation, and common mode capacitance variation. Unless otherwise noted, timings are at 1.5 V.

Sender's component I/O to recipient's component I/O actual thresholds max negative skew = -5.99 ns  
 Sender's component I/O to recipient's connector max negative skew = -3.98 ns

Sender's component I/O to recipient's component I/O actual thresholds max positive skew = 5.38 ns  
 Sender's component I/O to recipient's connector max positive skew = 3.42 ns

Sender's component I/O to recipient's component I/O maximum delay = 6.2 ns

For Ultra DMA modes 0, 1, and 2 using a 40-conductor cable, an additional -22 ns is included in the two max negative skews listed above to account for long data settle time present on that cable due to crosstalk and ringing. The max positive skew values are not affected by this since the crosstalk and ringing in the STROBE is not sufficient to increase its settle time.

#### D.4.2 IC and PCB timings, delays, and skews

It is recommended that the timings shown in this clause be met but they are only an example of timings that result in a system that meets all requirements for Ultra DMA specified in the body of the standard. A system that does not meet one or more of the timings below may be able to meet all timing requirements by producing other timings tighter than shown below. It is advisable that a designer take all the timings that are achieved for that design and re-derive the worst case timings to determine if all are still met.

- Possible clocks for bus timing and their characteristics

All frequencies are assumed to have 60 / 40 % asymmetry (worst case)

25 MHz (supports modes 0 and 1)

Typical Period = 40 ns

Clock variation = 1 %

33 or 30 MHz clocks (supports modes 0, 1, and 2)

Typical Period = 30 or 33.3 ns

Clock variation = 1 %

50 MHz (supports modes 0, 1, 2, and 3)

Typical Period = 20 ns

Clock variation = 3.5 %

66 MHz (supports modes 0, 1, 2, 3, and 4)

Typical Period = 15 ns

Clock variation = 3.5 %

- PCB Traces

Max PCB trace skew = 0.1 ns

Max PCB trace delay = 2.1 ns

– IC inputs

Input delay includes bond wire, buffer, routing, and logic component delays between the component I/O and the flip-flop that first latches the data. Input delay is measured from 1.5 V and includes the delay between 1.5 V and the input's threshold.

Input skew is either positive or negative depending on the directions of the STROBE and data transitions. It is the difference in STROBE signal delay from the input switching threshold to the internal flip-flop that first latches data and data delay from the input switching threshold to the same flip-flop. The routing component of skew that accounts for about 30 % of the value listed here is systematic (i.e., always the same polarity in a system implementation) and could be either positive or negative.

Min input slew rate for testing = 0.4 V/ns

Max input delay = 5.5 ns

Max input skew = 2.45 ns

Max input skew from 1.5 V to actual thresholds = 1.75 ns

– IC outputs

Output delay is from the internal active clock edge that generates an output transition until the time that the transition crosses 1.5 V the associated component I/O of the IC.

Max output disable delay is from the internal enable negation of an I/O output until the time that the signal is released at the component I/O.

Single component I/O output skew is the difference in delay of rising and falling edges on a single output. This single component I/O skew does include skew due to noise that may be present on the signal in a functional system. It may be positive or negative depending on the direction of the STROBE and data transitions.

Output skew is the difference in the output delay of the active STROBE and the output delay of any data transition that occurs within cycle time before or after the STROBE transition. This timing is met under all expected loading conditions and starting voltages. This timing is the combination of:

- single component I/O output skew,
- skew due to output routing differences between all data and STROBE signals,
- skew due to process, temperature, and voltage variation between all data and STROBE signals at the moments when transitions are generated,
- skew due to clock routing to all data and STROBE logic that generates output transitions, and
- skew due to supply bounce differences that may occur between the transitions being compared.

As with the single component I/O output skew, this skew may be positive or negative depending on the direction of the STROBE and data transitions. Some of the components of this skew (e.g., differences in routing) may be systematic and could be either positive or negative.

Max output delay = 14 ns

Max output disable delay = 10 ns

Max single component I/O output skew = 2.5 ns

Max output skew = 5.4 ns

Max output skew to support modes 0 and 1 with a 25 MHz clock = 5.0 ns

Max output skew to support modes 0, 1, and 2 with a 50 MHz clock = 5.2 ns

Max output skew to support mode 4 with a 30 or 33 MHz clock = 2.8 ns

Up to 3 ns of additional output delay may be needed for data compared to STROBE in cases that use 30 and 33 MHz clocks to support Ultra DMA modes 0, 1, and 2. With these clocks, the data is held by a half



cycle, and a minimum half cycle is not sufficient to meet the output hold time given the output skews listed above. An additional delay on data would insure that the required hold time is met even with a short half clock cycle. Alternatively, improvements in output skew beyond those listed above could also allow the output hold time to be met with a short half clock cycle.

– IC flip-flops

The setup and hold times listed here are intended to represent only the flip-flop inside an IC that latches data. Timing is assumed from the inputs of the flip-flop.

Min flip-flop setup time = 0.5 ns

Min flip-flop hold time = 0.5 ns

## D.5 Ultra DMA timing parameters

System timings for Ultra DMA are measured at the connector of the sender or receiver to which the parameter applies. Internally the IC accounts for input and output delays and skews associated with all signals getting from the connector to the internal flip-flop of the IC and from the flip-flop of the IC to the connector.

Timings as listed in the body of the specification were derived using the formulas listed below and the timing assumptions give above in D.4. All applicable clocks were evaluated for each timing parameter and the worst case value was used in the body of the standard. It is recommended that the system designer re-derive all timings based on the specific characteristics of the internal clock, IC, and PCB that are to be used to confirm that timing requirements are met by that implementation.

### D.5.1 Typical average two-cycle time ( $t_{2CYCTYP}$ )

This is the typical sustained average time of STROBE for the given transfer rate from rising edge to rising edge or falling edge to falling edge measured at the recipient's connector.

### D.5.2 Cycle time ( $t_{CYC}$ )

This is the time allowed for STROBE from rising edge to falling edge or falling edge to rising edge measured at the recipient's connector. This timing accounts for STROBE and internal clock variation. The formula for the minimum value is:

$$+ (\text{Number of clock cycles to meet minimum typical cycle time with a minimum cycle time due to clock variation}) * (\text{clock cycle time})$$

$$- \text{Max single component I/O output skew}$$

### D.5.3 Two-cycle time ( $t_{2CYC}$ )

This is the time for STROBE for the given transfer rate from rising edge to rising edge or falling edge to falling edge measured at the recipient's connector. Since this timing is measured from falling edge to falling edge or rising edge to rising edge of STROBE, asymmetry in rise and fall time has no affect on the timing. Clock variation is the only significant contributor to  $t_{2CYC}$  variation. The formula for the minimum values is:

$$+ (2 * (\text{Number of clock cycles to meet minimum typical cycle time with a minimum cycle time due to clock variation percent}) * (\text{clock cycle time}))$$

### D.5.4 Data setup time ( $t_{DS}$ )

This is the data setup time at the recipient. Since timings are measured at the connector and not at the component I/O, consider the effect of the termination resistors and traces when generating this number. Depending on the direction of the data signal and STROBE transitions, the skew between the two changes in

both the positive and negative directions. A longer data signal delay will reduce the setup time, and a longer STROBE delay will increase the setup time.

In order to meet the input skews given above in D.4.2, minimize the number of buffers or amount of logic between the incoming signals and the input latch or flip-flop. This may require the data input buffers to be routed directly to the input latch with no delay elements and the STROBE signal to be routed directly from its input buffer to the input latch clock with no delay elements.

The internal latch or flip-flop has a non-zero setup and hold time.  $t_{DS}$  is sufficient to insure that the setup time of the flip-flop is met. The minimum setup required at the threshold of the component I/O is:

- + Max input skew
- + Min flip-flop setup time

The formula for the value at the recipient's component I/O based on the timings given in D.4 is:

- + (Number of clock cycles to meet typical cycle time with a minimum cycle time due to clock variation) \* (clock cycle time)
- (Number of clock cycles used to hold data with a minimum cycle time due to clock variation or with a minimum cycle symmetry if a half cycle is used) \* (clock cycle time)
- Max output skew
- + Sender's component I/O to recipient's component I/O actual thresholds max negative skew

In order to meet both setup and hold times over process, temperature, and voltage, clock edges rather than gate delays are used to generate the hold time. The assumption is made that one 50 or 66.7 MHz clock cycle or half of a 33 MHz or slower clock cycle has been used to hold data within the sender IC.

After it is shown that the sender is producing setup time that meets the requirement of the recipient, the specification for setup time at the recipient connector produced by the sender is determined as follows. The  $t_{DS}$  values in the specification were based on the results of the following formula using all possible clocks for the modes they support.

- + (Number of clock cycles to meet typical cycle time with a minimum cycle time due to clock variation) \* (clock cycle time)
- (Number of clock cycles used to hold data with a minimum cycle time due to clock variation or with a minimum cycle symmetry if a half cycle is used) \* (clock cycle time)
- Max output skew
- + Sender's component I/O to recipient connector max negative skew

#### D.5.5 Data hold time ( $t_{DH}$ )

This is the data hold time at the recipient. This time is sufficient to insure that the hold time of the internal flip-flop is met. The longest STROBE delay and shortest data delay is the worst case for hold time. The analysis is similar to the one for  $t_{DS}$  above. The minimum hold required at the component I/O at its threshold is:

- + Maximum input skew
- + Minimum flip-flop hold time

The formula for the value at the recipient's component I/O based on the timings given in 0 is:

- + (Number of clock cycles used to hold data with a minimum cycle time due to clock variation or with a minimum cycle symmetry if a half cycle is used) \* (clock cycle time)
- Max output skew
- Sender's component I/O to recipient's component I/O actual thresholds max positive skew

After it is shown that the sender is producing hold time that meets the requirement of the recipient, the specification for hold time at the recipient connector produced by the sender is determined as follows. The  $t_{DH}$  values in the specification were based on the results of the following formula using all possible clocks for the modes they support.

- (Number of clock cycles used to hold data with a minimum cycle time due to clock variation or with a minimum cycle symmetry if a half cycle is used) \* (clock cycle time)
- Max output skew
- Sender's component I/O to recipient connector max positive skew

#### D.5.6 Data valid setup time ( $t_{DVS}$ )

This is the data valid setup time measured at the sender's connector. This timing is measured using a test load with no cable or recipient. This is the timing that, if met by the sender, will insure that the data setup time is met at the recipient. It is important that this timing be met using capacitive loads from 15 to 40 pf to insure reliable operation for any system configuration that meets specification.

In the case of Ultra DMA modes 0, 1, and 2, the data settle time may be long due to crosstalk in the cable and on the PCB, and the ringing frequency of the system. For modes above 2, there is little or no margin for ringing on the cable. For these modes, the 80-conductor cable assembly that reduces the crosstalk between signals is required so that crosstalk and ringing are reduced to a level that does not cross the input switching thresholds during data setup or hold times. Modes 3 and 4 timing requirements were derived so that they are met with the same input and output timing characteristics as a system supporting Ultra DMA mode 2. Since it may be shown using the formulas presented in D.5.4 that sufficient setup time is produced with the system timings given in D.4, using those same timings in the formula below will produce  $t_{DVS}$  values that also represent sufficient timing for the system. An achievable value for  $t_{DVS}$  is calculated as follows:

- + (Number of clock cycles to meet minimum typical cycle time at the minimum cycle time due to clock variation) \* (clock cycle time)
- (Number of clock cycles used to hold data at the minimum cycle time due to clock variation or at the minimum cycle symmetry if a half cycle is used) \* (clock cycle time)
- Max output skew
- Max PCB trace skew
- Max falling source transition delay
- + Min rising source transition delay

#### D.5.7 Data hold time ( $t_{DVH}$ )

This is the data valid hold time measured at the sender's connector. This timing is measured using a test load with no cable or recipient. This is the timing that, if met by the sender, will insure that data hold time at the recipient is met. It is important that this timing be met using capacitive loads from 15 to 40 pf to insure reliable operation for any system configuration that meets specification.

Since it may be shown using the formulas presented in D.5.5 that sufficient hold time is produced with the system timings given in D.4, using those same timings in the formula below will produce  $t_{DVH}$  values that also represent sufficient timing for the system. An achievable value for  $t_{DVH}$  is calculated as follows:

- + (Number of clock cycles used to hold data at the minimum cycle time due to clock variation or at the minimum cycle symmetry if a half cycle is used) \* (clock cycle time)
- Max output skew
- Max PCB trace skew
- Max falling source transition delay
- + Min rising source transition delay

### D.5.8 First DSTROBE time ( $t_{FS}$ )

This is the time for the device to first negate DSTROBE to clock the first word of data after the device has detected that the host has negated STOP and asserted HDMARDY– at the beginning of a data in burst. This parameter is measured from the time that STOP and HDMARDY– are in the appropriate states at the device connector until the first falling DSTROBE edge at the device connector.

This timing is used only for the beginning of a read command from the STOP negation and/or HDMARDY– assertion to first DSTROBE (all falling edges). The device detects that these two control signals from the host have changed. Timing is started from the point that both signals have changed to the appropriate state. Synchronization may be done with two flip-flops. After synchronization is achieved, data is driven on to the bus and internal clock cycles counted off to meet the minimum setup time before generating the first STROBE edge. In order for an IC based on a 25, 30, or 33 MHz clock to meet  $t_{FS}$ , data needs to be driven onto the bus no later than 2.5 clock cycles after the control signal transitions. This could be done by synchronizing with both edges of the system clock or by using only one edge to synchronize and then driving data onto the bus on the next inactive edge of the clock after the signals are detected at the output of the second synchronization flip-flop. With a 50 MHz clock, the first word of data needs to be driven out no later than three cycles after the control transitions and with a 66 MHz clock, it may be four cycles. The formula for the maximum  $t_{FS}$  timing is as follows:

- + Max falling recipient transition delay
- + Max PCB trace delay
- + Max input delay
- + Min flip-flop setup time
- + The time for two, three, or four clock cycles at the maximum period due to frequency variation to synchronize the control signals and start the data transfer cycle. For 25, 30 and 33 MHz based systems, the data would be driven out one half cycle after the incoming signal is synchronized since data is held one half cycle when using these clock frequencies and therefore sent on a half cycle.
- + The time for as many cycles as required to meet the  $t_{DVS}$  minimum timing for the first word of data at the maximum period due to frequency variation.
- + Max output buffer delay
- + Max PCB trace delay
- + Max falling source transition delay

### D.5.9 Limited interlock time ( $t_{LI}$ )

The time is for limited interlock from sender to recipient or recipient to sender. This is the interlock time in this protocol that has a specified maximum.

The value of  $t_{LI}$  needs to be large enough to give a recipient of the signal enough time to respond to an input signal from the sender of the signal. The derivation of  $t_{LI}$  is similar to that of  $t_{FS}$  since both involve the recipient of the signal responding to the control signal of the sender of the signal. As with  $t_{FS}$ , the number of internal clock cycles that an IC may take to respond is dependent on the frequency of the clock being used. For a 25, 30 MHz clock, the maximum time to respond is three cycles, for 33 MHz clock it is four, for a 50 MHz clock it is five, and for a 66 MHz clock it is seven cycles maximum for modes 0 through 2. Modes 3 and 4 require a faster response time. For a 30 or 33MHz clock it is two cycles, for a 50 MHz clock it is three cycles and for a 66 MHz clock it is four clock cycles maximum. The formula for the values of  $t_{LI}$  is as follows:

- + Max falling recipient transition delay or max rising recipient transition delay
- + Max PCB trace delay
- + Max input delay
- + Min flip-flop setup time
- + The time for two, three, four, five, or seven clock periods (depending on clock used and modes supported) at the maximum period due to frequency variation to synchronize the signals to the internal clock and respond appropriately.

- + Max output buffer delay
- + Max PCB trace delay
- + Max falling source transition delay

#### D.5.10 Limited interlock time with minimum ( $t_{MLI}$ )

The time is for the minimum limited interlock from sender to recipient.

This timing insures that some control signals are in their proper state before  $DMACK-$  is negated. It is important that STROBE and the control lines are in their proper states because all signals revert to their non-Ultra DMA definitions at the negation of  $DMACK-$ . If the signals are not in their proper state, the selected device or another device may see a false read or write STROBE or data request. All control signals need to be in their proper state and detectable at the device before  $DMACK-$  is negated so  $t_{MLI}$  has to overcome the following:

- + Sender's component I/O to recipient's component I/O maximum delay
- + Max input delay
- + Min flip-flop setup time

The value calculated by the formula above for  $t_{MLI}$  for all modes is under 14 ns. The specified value for this timing allows for additional margin.

#### D.5.11 Unlimited interlock time ( $t_{UI}$ )

This interlock timing is measured from an action of a device to a reaction by the host. In order to allow the host to indefinitely delay the start of a read or write transfer, this value has no maximum. The reason for this parameter is to ensure that one event occurs before another, for this reason the minimum is set to 0. In practice the host will take some non-zero positive time to respond to the incoming signal from the device.

#### D.5.12 Maximum driver release time ( $t_{AZ}$ )

This is the maximum time that an output driver has to make the transition from being asserted or negated to being released. During data bus direction turn around, the driver of the bus is required to release the data. For the beginning of a read burst, the host releases the data bus before or on the same internal clock cycle that it asserts  $DMACK-$ . For the end of a read burst, the device releases the data bus before or on the same clock cycle that it negates  $DMARQ$ . If the same clock is used, the maximum delay is calculated using the following formula:

- + Max output skew
- Min falling source transition delay

The value calculated by the formula above for  $t_{AZ}$  for all modes is under 6 ns. The specified value for this timing allows for additional margin.

#### D.5.13 Minimum delay time ( $t_{ZAH}$ )

This is the minimum time that the host waits after the negation of  $DMARQ$  at the termination of a data in transfer to begin driving data onto the bus for purpose of transferring the CRC word to the device. In this case the device is allowed to continue driving the bus for a maximum of  $t_{AZ}$  after the  $DMARQ$  negation. The host is required to wait  $t_{ZAH}$  after the  $DMARQ$  negation to drive the data. Skew on the cable is the major factor to consider here and a longer data delay than  $DMARQ$  delay (i.e., max negative skew) is the worst case. For modes using a 40-conductor cable, the component of maximum negative skew associated with data settle time as listed in D.4.1 should not be included since the bus is being released for this timing. To avoid bus contention, this value is calculated using the following formula:

- + Max specified  $t_{AZ}$

- Sender's component I/O to recipient's component I/O actual thresholds max negative skew

The value calculated by the formula above for  $t_{ZAH}$  is under 17 ns in all cases. The specified value for this timing allows for additional margin.

#### D.5.14 Minimum driver assert/negate time ( $t_{ZAD}$ )

This is the minimum time after STOP is negated or HDMARDY $-$  is asserted (whichever comes later) that a device drives the data bus at the initiation of a read operation. This is when the data bus is changed from host driving or released to device driving.

The use of STOP negated and HDMARDY $-$  asserted guarantees that a system failure has not occurred leaving the host in a Multiword DMA mode and the device in an Ultra DMA mode. STOP is the same signal line as DLOW $-$ , and HDMARDY $-$  is the same signal line as DIOR $-$ . Multiword DMA mode never asserts both DLOW $-$  and DIOR $-$  at the same time. The negation of STOP and assertion of HDMARDY $-$  is equivalent to both DLOW $-$  and DIOR $-$  being asserted. Since the device requires both signals to be in this state before driving the bus, it insures that the host is in Ultra DMA mode, not Multiword DMA, and has released the data bus.

The STOP negation and HDMARDY $-$  assertion are required by the standard to meet  $t_{ENV}$  timing. The  $t_{ENV}$  timing is a minimum of 20 ns from the point where the host releases the bus, no additional delay is necessary based on the  $t_{ZAH}$  evaluation that is applicable to the conditions of this timing also.

Even though  $t_{ZAD}$  is 0 ns minimum for all modes, in practice, most devices will take two flip-flop delays to synchronize the incoming STOP and HDMARDY $-$  transitions making  $t_{ZAD}$  time dependant on the clock frequency used by the device. Since the data is driven long enough before the first STROBE to meet the setup time requirement, this synchronization time has been taken into account in the  $t_{FS}$  derivation of D.5.8.

#### D.5.15 Envelope time ( $t_{ENV}$ )

This time is from which the host asserts DMACK $-$  until it negates STOP and asserts HDMARDY $-$  at the beginning of a data in burst, and the time from which the host asserts DMACK $-$  until it negates STOP at the beginning of a data out burst. Since  $t_{ENV}$  only applies to outputs from the host, the timings are synchronous with the host clock. Based on an argument similar to the one for  $t_{MLI}$  in D.5.10, the minimum for  $t_{ENV}$  is 20 ns. This insures that all control signals at all the devices are in their proper (non-Ultra DMA mode) states before DMACK $-$  is asserted and are sensed as changing only after DMACK $-$  has been asserted. The 20 ns accounts for cable and gate skew between DMACK $-$  and the control signals on device inputs. Since  $t_{ENV}$  involves synchronous events only and an increase in  $t_{ENV}$  reduces the performance of the specification, a maximum is specified.

Enough internal clock cycles are used between the assertion of DMACK $-$  and the other control signals to insure  $t_{ENV}$  minimum is met. For a 25, 30, or 33 MHz clock this is a single cycle, for 50 or 66 MHz clocks this is two cycles. The following formula is used to verify that the minimum  $t_{ENV}$  value of 20 ns is met by any particular system implementation:

- + (One or two host clock cycles (depending on frequency used) at the minimum period due to frequency variation to delay control signals inside the IC) \* (clock cycle time)
- Max output skew
- PCB trace skew
- Max falling source transition delay
- + Min falling source transition delay

Using the number of clock cycles specified above for each possible frequency, the minimum is met. Based on the number of clock cycles needed to meet the minimum, reasonable maximums for  $t_{ENV}$  are determined. Rather than limiting the possible cycles to generate  $t_{ENV}$ , the following assumption was made: for a 25 or 30 MHz clock a single cycle is used; for a 33 or 50 MHz clock a maximum of two cycles is used; and with a 66

MHz clock a maximum of three clock cycles is used. Using these numbers of cycles, the formula to determine the maximum  $t_{ENV}$  is as follows:

- + (One, two, or three cycles (depending on frequency used) at the maximum period due to frequency variation to delay control signals inside the IC) \* (clock cycle time)
- + Max output skew
- + PCB trace skew
- + Max falling source transition delay
- Min falling source transition delay

It may be possible that fewer or more clock cycles are used with some frequencies given reduced output skew. If the timing characteristics of D.4 are just met, the following number of clock cycles for the internal IC delay to meet  $t_{ENV}$  minimum and maximum values are used.

- 1) with 25 MHz, delay is one cycle
- 2) with 30 MHz, delay is one cycle
- 3) with 33 MHz, delay is one or two cycles
- 4) with 50 MHz, delay is two cycles
- 5) with 66 MHz, delay is two or three cycles

#### D.5.16 STROBE to DMARDY– time ( $t_{SR}$ )

If DMARDY– is negated before this maximum time after a STROBE edge, then the recipient will not receive more than one additional STROBE (i.e., one more word of valid data). This timing is applicable only to modes 0, 1, and 2 because the transfer rate of modes 3 and 4 is too high to insure that only one additional STROBE will be sent after DMARDY– is negated.

#### D.5.17 DMARDY– to final STROBE time ( $t_{RFS}$ )

This is the maximum time after DMARDY– is negated after which the sender will not transmit any more STROBE edges (i.e., no additional valid data words). This timing gives the sender time to detect the negation of DMARDY– and respond by not sending any more STROBES. The  $t_{RFS}$  time may affect the number of words transferred.

Since  $t_{RFS}$  involves a response to a request for a pause, the sender needs to stop sending data as soon as practical. An example of an input synchronization method is to use two flip-flops where the first is clocked on the active edge of the internal clock and the second on the unused (inactive) edge of the clock. The action to stop the STROBE signal would be taken on the next active clock edge (i.e., if there had been a STROBE scheduled for that edge it would not be sent). In this example a half cycle of the clock gives adequate time to avoid metastability while synchronizing the signal. The following timing diagram shows one possible case:

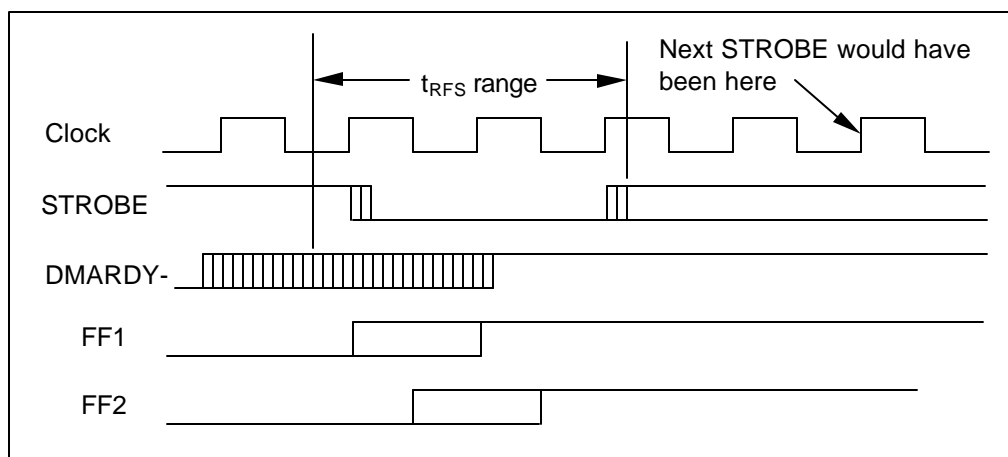


Figure D.30 – DMARDY– to final STROBE  $t_{RFS}$  synchronization

The diagram above shows the range of possible STROBE to DMARDY– transition relationships and the possible synchronization flip-flop responses. When a 66 MHz or higher clock frequency is used, two clock periods may be used to synchronize the data as long as no STROBE edge is sent on the subsequent clock edges until the transfer is resumed.

The  $t_{RFS}$  time may be the longest when the DMARDY– transition occurs before an internal clock cycle, but, due to skews and missed setup time, the transition is not clocked into the first flip-flop until the next clock (the dotted line transition on FF1 and later on FF2). When this happens one clock cycle before a STROBE transition is generated (as shown by the left  $t_{RFS}$  range marker near the middle of the DMARDY– transition range in the diagram above), the next STROBE transition will occur (as shown in dotted lines). For all other cases, the  $t_{RFS}$  time will be shorter. The maximum  $t_{RFS}$  is calculated using the following formula:

- + Max rising recipient transition delay
- + Max PCB trace delay
- + Max input delay
- + Min flip-flop setup time
- + (One or two clock cycles at the maximum system clock period due to frequency variation for synchronization) \* (clock cycle time)
- + Max output delay
- + Max PCB trace delay
- + Max falling source transition delay

#### D.5.18 DMARDY– to pause time ( $t_{RP}$ )

This is the minimum time after DMARDY– is negated after which the recipient may assert STOP or negate DMARQ–. After this time the recipient will not receive any more STROBE edges (i.e., no additional valid data words). STROBE edges may arrive at the recipient until this time. Since this time parameter applies to the recipient only (as the recipient waits for STROBES), the parameter is measured at the recipient connector. Because of this, the output delay of DMARDY– from inside the IC to the connector and the input delay of a STROBE edge from the connector to the associated internal IC flip-flop are considered.

There are two ways to determine the  $t_{RP}$  minimum. One method is to consider how long it will take from the negation of DMARDY– at the recipient for the sender to see the negation and become paused. This would involve synchronizing DMARDY– as it is done for  $t_{RFS}$ , and then taking one more system clock cycle to change the state of the state machine to a paused state. Using this method, the minimum time is calculated using the following formula:

- + Sender's component I/O to recipient's component I/O maximum delay
- + Max input delay
- + Min flip-flop setup time
- + (Two or three clock cycles (depending on clock used) at the maximum period due to clock frequency variation) \* (clock cycle time)

A second method to calculate this value is to consider how long it might be for the last STROBE to be detected after negating DMARDY–, and make sure  $t_{RP}$  is long enough so that the internal assertion of STOP occurs after the last STROBE has latched the last word of data. This method is applied in the following formula:

- + Sender's component I/O to recipient's component I/O maximum delay
- + Maximum  $t_{RFS}$  for mode
- + Sender's component I/O to recipient's component I/O maximum delay
- + Max input delay
- + Min flip-flop setup time

Using both of the above, it may be shown that  $t_{RP}$  is met given the  $t_{RFS}$  requirement and is sufficient to receive the last STROBE for all modes with all clock frequencies. All of the numbers are measured at the connector,



and the time to wait internal to the IC will be longer than the value of  $t_{RP}$ . For higher frequency clocks, the internal delay may need to be more than one clock cycle longer than the value of  $t_{RP}$  in order to account for total output and input delays.

#### D.5.19 Maximum IORDY release time ( $t_{IORDYZ}$ )

This is the maximum time allowed for the device to release IORDY:DDMARDY–:DSTROBE at the end of a burst. The  $t_{IORDYZ}$  time allows IORDY to be asserted immediately after DMACK– is asserted. DMACK– being asserted may be used to enable the IORDY output. As soon as the DMACK– is negated, the component I/O cell will be released. For this implementation, the following formula determines the maximum  $t_{IORDYZ}$ :

- + Max falling recipient transition delay
- + Max PCB trace delay
- + Max in delay (in this case to enable IORDY)
- + Max output disable delay
- + Max trace delay

#### D.5.20 Minimum IORDY assert time ( $t_{ZIORDY}$ )

This is the minimum time allowed for the device to assert IORDY:DDMARDY–:DSTROBE when the host asserts DMACK– at the beginning of a burst.

When STOP is negated and HDMARDY– is asserted, it is important that the IORDY:DDMARDY–:DSTROBE signal be electrically high (DSTROBE asserted or DDMARDY– negated). This could be achieved by the IORDY:DDMARDY–:DSTROBE signal being driven by the device but it also occurs when this signal is released by the device because of the pull up at the host required by the standard. Since the correct state of IORDY:DDMARDY–:DSTROBE occurs when it is released, no maximum  $t_{ZIORDY}$  is required. As with some other timings having no maximum defined, the signal will eventually change state as governed by other timing parameters.

For Ultra DMA, DDMARDY–:DSTROBE is only driven during a data burst. At the initiation of a data in burst, the device may wait until the time to generate the first DSTROBE and enable DSTROBE in a negated state. The device may wait  $t_{ZIORDY}$  then assert DSTROBE and, for the first data transfer, the device would negate DSTROBE. In both cases the host sees a negation for the first DSTROBE. The first STROBE of a burst is never a low-to-high transition. At the initiation of a data out burst, the device waits until ready before asserting DDMARDY–. If the device does not use this implementation, it waits  $t_{ZIORDY}$  then negates DDMARDY– (i.e., drive it electrically high). Then, to signal that the device is ready to receive data, the device may negate DDMARDY–. Both implementations are equivalent since the negated state of this signal will appear the same to the host as the released state.

Since this timing was defined for the sole purpose of requiring DMARDY– to be asserted before IORDY is driven, the minimum value for this timing in all modes is 0 ns.

### D.5.21 Setup and hold before DMACK– time ( $t_{ACK}$ )

The  $t_{ACK}$  value is defined for the setup and hold times before assertion and after negation of DMACK–. It is applied to all control signals generated by the host related to an Ultra DMA burst. These signals are STOP, HDMARDY–, HSTROBE and the address lines. The burst begins with the assertion of DMACK– and ends with the negation of DMACK–. For this burst period, all control signals start, remain, and end in specific states as defined by the protocol. Since there may be some skew between signals from the host to the device due to transmission and component I/O circuitry affects, the host is required to set up all the control signals before asserting DMACK–. This insures that by the time all the signals reach the device, they will all be in the proper state when DMACK– is asserted. Using  $t_{ACK}$  as the hold time for the signals after the negation of DMACK– insures that at the termination of the burst, the control signals as seen by the device are in the proper states. This avoids any device state machine confusion. Based on timing analysis (the same as the analysis used for  $t_{MLI}$  in D.5.10), the minimum for  $t_{ACK}$  is 20 ns.

### D.5.22 STROBE to DMARQ/STOP time ( $t_{SS}$ )

This is the minimum time after a STROBE edge before a device as a sender negates DMARQ or a host as a sender asserts STOP to terminate a transfer. This time is to allow at least one recipient clock cycle between the last STROBE and the termination signal to avoid the possibility of a race condition between the two events and ensure the last word is seen as valid by the recipient. The formula used to determine  $t_{SS}$  minimum is:

- + Sender's component I/O to recipient's component I/O actual thresholds max positive skew
- + Max input skew
- + (One recipient clock cycle at the maximum period due to frequency variation) \* (clock cycle time)

For modes 0 and 1, a 25 MHz recipient clock is assumed and for all other modes a 30 MHz recipient clock is assumed. While the value specified could have been lower for modes using 30 MHz or higher clock frequencies,  $t_{SS}$  is specified to be the same value for all modes for extra margin.

## D.6 Ultra DMA Protocol Considerations

### D.6.1 Recipient pauses

Ultra DMA protocol allows the recipient to pause a burst at any point in the transfer. The clauses below discuss some of the issues and design considerations associated with the Ultra DMA recipient pausing protocol.

#### D.6.1.1 DMARDY– minimum negation time

An Ultra DMA recipient pause is initiated through the recipient's negation of DMARDY–. Once DMARDY– is negated, the protocol allows for additional words to be transferred. Pausing is typically done for two reasons. One is that the recipient's input FIFO or buffer is almost full and would overflow if the burst continued. The second is that the recipient is preparing to terminate the burst. Normally the case of pausing to free space in the FIFO or buffer would lead to DMARDY– being negated for at least a few transfer cycles. However, there is no minimum time for the negation of DMARDY–. The recipient does not have to wait for possible additional words or for any minimum time from when the recipient negates DMARDY– until it re-asserts DMARDY–. If, after negating DMARDY–, the recipient becomes ready, it may immediately reassert DMARDY–. Based on the implementation of the sender, a negation and immediate re-assertion of DMARDY– may cause a subsequent STROBE to be delayed. It is recommended that some hysteresis be used in the FIFO trigger points for assertion and negation of DMARDY– to avoid DMARDY– being negated after every word or two.

#### D.6.1.2 Number of additional words from sender

An Ultra DMA burst may be paused with zero, one, or two additional data transfers as seen at the recipient connector for modes 0, 1 and 2, and up to three additional transfers for modes 3 and 4. This does not imply that the sender is allowed to send up to two or three more STROBES after it detects the negation of DMARDY–. In most cases it would be a violation of  $t_{RFS}$  to do so. Rather than counting words after detecting the negation

of DMARDY $\bar{}$ , under all conditions the sender stops generating STROBE edges within  $t_{RFS}$  of the recipient negating DMARDY $\bar{}$ . Even in cases where  $t_{RFS}$  is met and less than the maximum number of words are sent, it is still possible for the recipient to see the maximum number of STROBE edges after it negates DMARDY $\bar{}$ . This is due to the delay of the signals through the cable. An example of this is explained below and shown in figure D.31.

In mode 2 when the STROBE time is 60 ns and signal delays add up to 6 ns, both STROBE from sender to recipient and DMARDY $\bar{}$  from recipient to sender experience a cable delay of 6 ns. While the recipient negates DMARDY $\bar{}$  after the sender toggles STROBE, it does not receive the STROBE transition until after the DMARDY $\bar{}$  negation. This would account for the first word received. By the time the sender detects the DMARDY $\bar{}$  negation, there are only 49 ns until the next STROBE. This STROBE is within  $t_{RFS}$  so the sender may send STROBE without violating the protocol. To the recipient, this would be the second transfer after it has negated DMARDY $\bar{}$ , but to the sender it would be the first and only allowable STROBE transition after detecting the DMARDY $\bar{}$  negation.

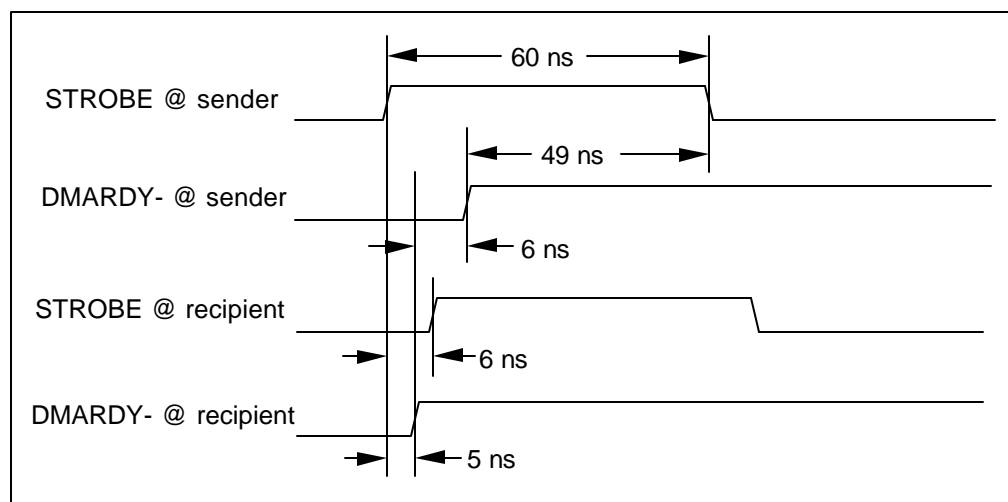


Figure D.31 – STROBE and DMARDY $\bar{}$  at sender and recipient

### D.6.1.3 Sender output data handling during

In most cases of a recipient pause, a sender stops toggling STROBE in less than one transfer cycle time after DMARDY $\bar{}$  negates at its input in order to meet  $t_{RFS}$ . Since the incoming DMARDY $\bar{}$  negation is asynchronous with the sender's internal clock, following synchronous logic design rules the incoming DMARDY $\bar{}$  signal should be synchronized with the internal clock. In this condition data may be gated or latched to the bus but never strobed.

If an output register is used when data is transferred from memory for presentation on the bus, no assumptions are made that that data has been or will be transferred. If a pointer in memory is incremented or the data is cleared from memory when it is sent to the output register, data may be lost unless some recovery mechanism is present to decrement the pointer or restore the data if it is never strobed due to a burst termination after a pause. During a pause, other bus activity (like a Status register read) might occur. A design using an output register would have data in that register overwritten during this other activity. Other designs may involve similar considerations. It is most important to remember that data on the bus is not sent and is not to be treated as sent until there is a valid STROBE edge.

### D.6.1.4 Additional words at recipient

After DMARDY $\bar{}$  is negated, the recipient may receive additional words. There will be some output delay of DMARDY $\bar{}$  from the logic that first generates it inside the IC to the connector, and there will be input delay of STROBE from the connector to inside the IC. In addition to this, data may be pipelined before the FIFO and there may be logic delays between triggering a "near full" condition in the FIFO and generating the DMARDY $\bar{}$

negation. The depth of the recipient's input FIFO where it triggers a condition to negate DMARDY– to avoid an overflow is therefore dependent on the particular design approach. Consider all FIFO near full trigger threshold to DMARDY– negation delays, the cable delay,  $t_{RFS}$  time, input delays, input data pipelining, and the minimum cycle time for the mode supported when determining the FIFO trigger point.

The recipient may receive STROBE edges until  $t_{RP}$  after it negates DMARDY–. The receipt of two or three words by the recipient after a pause has been initiated is not an indication that the sender has paused. The recipient waits until  $t_{RP}$  after the pause was initiated before taking any other action (e.g., terminating the burst). Waiting  $t_{RP}$  allows for cable delays between the recipient and sender and allows the sender time to complete its process of transitioning to a paused state. The process of switching to a paused state may take additional system clocks after the sender has sent its last STROBE transition.

Since the recipient's and sender's clocks are asynchronous with respect to each other, there is not a single fixed number of words that the recipient will receive after negating DMARDY–. Every time a recipient begins a pause, a sender may send from zero to the maximum number of words allowed by the protocol. The Ultra DMA protocol does not give the recipient any means of pausing or stopping on an exact, predetermined boundary.

### D.6.2 CRC calculation and comparison

For each STROBE transition used for data transfer, both the host and device calculate a new CRC value. Only words successfully transferred in the transfer phase of the burst are used to calculate CRC. This includes words transferred after a pause has been requested. Words put on the bus but never strobed are not to be used for CRC calculation. In addition, if STROBE is negated at the end of a pause and then the burst is terminated, the protocol requires STROBE to be re-asserted after DMARQ is negated or STOP is asserted. No data is transferred on this STROBE edge and any data on the bus that was not strobed during the transfer phase of the burst is not used in the CRC calculation on this re-assertion of STROBE.

It is not advisable to use STROBE to clock the CRC generator. Noise on the STROBE signal could cause the recipient's CRC generator to see a glitch and double clock the generator on a single edge. At the same time, the glitch seen by the CRC generator may not affect the data input portion of the logic. This type of implementation has led to CRC errors on systems where data is properly received but the wrong CRC value is determined. Using different versions of STROBE to clock the CRC generator and to clock data into the FIFO or buffer may also lead to a fatal error. Noise, lack of setup or hold time, race conditions in the logic, or other problems could result in the wrong data being clocked into the FIFO or buffer. At the same time the correct data may be clocked into the CRC generator since it is using a different instance of STROBE. In this case, the resultant CRC value is correct when the data in the recipient is not. This fatal error has been seen on an implementation of the Ultra DMA protocol.

Most designs will internally generate a delayed version of STROBE that is synchronous with the recipient clock. This synchronized version of the STROBE is then used to place data into the FIFO or buffer. It is advisable for the recipient to use the same clock that places data into its FIFO or buffer to clock data into its CRC generator. Following this design approach will maximize the probability of clocking the same data into both the CRC generator and FIFO or buffer and clocking both the same number of times.

This standard includes the equations that define the XOR manipulations to make on each bit and the structure required to perform this calculation using a clock generated from STROBE. Through the given equations, the correct CRC is calculated by using a small number of XOR gates, a single 16-bit latch, and a word clock (one clock per STROBE edge). The equations define the value and order of each bit, and the order of each bit is mapped to the same order lines of the bus. The CRC register is pre-set to 4ABAh. This requires pre-setting the latch (CRCOUT) to 4ABAh before the first word clock occurs. After that, CRCIN15 to the latch is tied through to CRCOUT15. When the burst is terminated CRCOUT15 is the final CRC bit 15 that is sent or received on DD15. This direct matching of bit order is true for all CRC bits. The proper use of the data sent on the bus bits DD0 through DD15 during the burst transfer is defined in the equations. The DD15 on the bus has the same value as bit DD15 in the equations to calculate CRC. This direct mapping is true for all bits strobed on the bus during a burst.

Once the burst is terminated and the host sends the CRC data to the device (the host always sends the CRC independent of whether the burst was a data in or data out transfer), the device compares this to the CRC it has calculated. While other CRC validation implementations may be possible, a CRC input register may be used on the device in combination with a digital comparator to verify that the CRC value in the input register matches the value in its own CRC calculation register.

### D.6.3 The IDENTIFY DEVICE command

A device communicates its Ultra DMA capabilities and current settings to the host in the data returned by the device as a result of an IDENTIFY DEVICE command.

For the PIO and Multiword DMA protocols, only the host generates data STROBES so the minimum cycle times reported for those protocols in the IDENTIFY DEVICE data are used by the host for both data in and data out transfers to insure that the device's capabilities are not exceeded. For the Ultra DMA protocol, both the host and device strobe data depending on the direction of the transfer. The host determines a mode setting based on both the device's capabilities and its own. The sender may send data (toggle STROBE) at a minimum period of  $t_{CYC}$ . A recipient receives data at the minimum  $t_{CYC}$  for the currently active mode. If the device indicates that it is capable of an Ultra DMA mode, it receives at the minimum time for that mode, no additional cycle time information is required.

### D.6.4 STROBE minimums and maximums

The Ultra DMA protocol does not define a maximum STROBE time. The sender may strobe as slowly as it chooses independent of the mode that has been set, though it has to meet the specified setup and hold times for the mode that has been set. The sender is also not required to maintain a consistent cycle time throughout the burst. It would not be a violation of protocol for the cycle time to change on every cycle so long as all cycles are longer than or equal to the minimum cycle time for the mode that is set. An upper timing bound or PLL is not used by the recipient to qualify the STROBE signal. Regardless of the frequency of the STROBE, the recipient has to be able to meet the setup and hold times of the received signal specified for the mode that has been set. The limit on the maximum STROBE time is determined by the Ultra DMA device driver or BIOS time-out. This time out is typically on the order of a few seconds. If a device begins to strobe once every ten seconds during a data in burst, this would not be in violation of the protocol. However, this could cause a software driver to determine that the device is not responding and perform a recovery mechanism. The recovery will often be a hardware reset to the device.

Unlike a recipient pause where the recipient has to wait  $t_{RP}$  after negating DMARDY– before the pause is complete. The sender may consider the burst paused as soon as it meets the data hold time  $t_{VH}$ . The implication of this is that data to the recipient may stop on any word. After each word, the recipient waits (with exception of pauses or stops) but never requires an additional word before allowing the burst to be terminated.

### D.6.5 Typical STROBE cycle timing

Neither minimum nor typical cycle times are required to be used by the sender. Other cycle times may be used by systems that do not have internal clocks that provide a frequency to generate signals at those cycle times. The typical mode 1 cycle time of 80 ns will not be met using a common system clock rate of 66.7 MHz. Instead a STROBE cycle time of 90 ns for mode 1 is used and is not a violation of the specification. A typical cycle time of 90 ns reflects 22.2 megabytes per second.

### D.6.6 Holding data to meet setup and hold times

Following are three examples of holding data in an attempt to meet the setup and hold times. The first method is to use the same clock edge to change data and the STROBE but delay the data through some gates. The second method is to use one edge of the clock to change the STROBE and then the next opposite edge to change data (half cycle). The third method is to use one active edge of the clock to change STROBE and the next to change data.

Using gate delays to hold data may lead to large variations in hold time over process, temperature, and supply voltage. Meeting Ultra DMA mode 4 timings with gate delays to hold data is not advisable and could lead to timing violations under some conditions. Mode 4 hold time may be met by a single 66.6MHz clock cycle with all timings being met. With a slower 25, 30, or 33 MHz clock, a half cycle rather than full cycle hold would be required in order to still meet the setup time requirements for the higher modes. If the data transitions are not at the middle of a mode 4 cycle, either the setup or hold time margin will be reduced.

### D.6.7 Opportunities for the host to delay the start of a burst

After a device has asserted DMARQ, the host has one opportunity to delay the start of the burst indefinitely for a data in burst and two opportunities for a data out burst. For both a data in and a data out burst, the first opportunity that the host has to delay the burst is by delaying the assertion of DMACK $\bar{}$ . This delay has no specified maximum limit. This is necessary for cases of overlap in system bus access that may cause a delay in the time it takes for the host to become ready to receive data from a device after sending a data in command. For a data out burst, the host may delay the first STROBE signal. The difference in overhead between delaying and not delaying may seem small but may still be used to optimize for a faster overall system data transfer rate. The device does not delay its STROBE indefinitely since the device controls the signal that starts the transfer process (DMARQ).

Note that it is a violation of the protocol to terminate the burst unless at least one word has been transferred. After asserting DMACK $\bar{}$  the host sends or receives at least one word of data before terminating a burst.

### D.6.8 Maximums on all control signals from the device

The timings for all signals from the device used to perform burst initiation, pause, and burst termination have maximum values. This is to bound the time it takes to perform burst initiation, pause, and termination so the host always knows in advance how long tasks performed by the device may take. Rather than waiting a few seconds for a command or burst to time-out, the host determines that a problem exists if activity is not detected within the specified maximums and sets time-outs for functions performed by the device. For instance, the longest the initiation of a data in burst may take from the host assertion of DMACK $\bar{}$  to the first STROBE is  $t_{ENV} \text{ max}$  plus  $t_{RS} \text{ max}$ . Also, the host may require a burst to terminate in a timely manner in order to service some other device on the bus or the system depending on the chip set design.

**Annex E**  
(informative)  
**Bibliography**

AT Attachment Interface with Extensions (ATA-2), ANSI X3.279-1996  
AT Attachment - 3 (ATA-3), ANSI X3.298-1997  
AT Attachment with Packet Interface Extension (ATA/ATAPI-4), ANSI NCITS.317-1998  
BIOS Enhanced Disk Drive Specification (EDD), NCITS TR-21  
Address Offset Reserved Area Boot, T13/1407DT  
ATA Packet Interface (ATAPI) for Streaming Tape, QIC-157<sup>1</sup>  
Suite of 2.5" Form Factor Specifications, SFF-8200, SFF-8201<sup>2</sup>  
Suite of 3.5" Form Factor Specifications, SFF-8300, SFF-8301, SFF-8302<sup>2</sup>

1) QIC documents are published by:  
Quarter-Inch Cartridge Drive Standards, Inc.  
311 East Carrillo Street  
Santa Barbara, CA 93101  
Tel: 805-963-3853  
Fax: 805-962-1541

2) SFF documents are published by:  
SFF  
14426 Black Walnut Court, Saratoga, California 95070  
FaxAccess: 408 741-1600

SFF documents may be obtained from:  
Global Engineering  
15 Inverness Way East  
Englewood, CO 80112-5704  
Tel: 303-792-2181 or 800-854-7179  
Fax: 303-792-2192

## Annex F (informative) Command set summary

The following four tables are provided to facilitate the understanding of the command set. Table F.1 provides information on which command codes are currently defined. Table F.2 provides a list of all of the commands in order of command code. Table F.3 provides a summary of all commands with the protocol, required use, command code, and registers used for each. Table F.4 shows the status and error bits used by each command.

**Table F.1 - Command matrix**

|           | x0 | x1 | x2 | x3 | x4 | x5 | x6 | x7 | x8 | x9 | xA | xB | xC | xD | xE | xF |
|-----------|----|----|----|----|----|----|----|----|----|----|----|----|----|----|----|----|
| <b>0x</b> | C  | R  | R  | C  | R  | R  | R  | R  | C  | R  | R  | R  | R  | R  | R  | R  |
| <b>1x</b> | O  | E  | E  | E  | E  | E  | E  | E  | E  | E  | E  | E  | E  | E  | E  | E  |
| <b>2x</b> | C  | O* | O  | O  | R  | R  | R  | R  | R  | R  | R  | R  | R  | R  | R  | R  |
| <b>3x</b> | C  | O* | O  | O  | R  | R  | R  | R  | C  | R  | R  | R  | O  | R  | R  | R  |
| <b>4x</b> | C  | O* | R  | R  | R  | R  | R  | R  | R  | R  | R  | R  | R  | R  | R  | R  |
| <b>5x</b> | O  | R  | R  | R  | R  | R  | R  | R  | R  | R  | R  | R  | R  | R  | R  | R  |
| <b>6x</b> | R  | R  | R  | R  | R  | R  | R  | R  | R  | R  | R  | R  | R  | R  | R  | R  |
| <b>7x</b> | C  | E  | E  | E  | E  | E  | E  | E  | E  | E  | E  | E  | E  | E  | E  | E  |
| <b>8x</b> | V  | V  | V  | V  | V  | V  | V  | F  | V  | V  | V  | V  | V  | V  | V  | V  |
| <b>9x</b> | C  | C  | C  | R  | E  | E  | E  | E  | E  | E  | V  | R  | R  | R  | R  | R  |
| <b>Ax</b> | C  | C  | C  | R  | R  | R  | R  | R  | R  | R  | R  | R  | R  | R  | R  | R  |
| <b>Bx</b> | C  | R  | R  | R  | R  | R  | R  | R  | A  | A  | A  | A  | A  | A  | A  | A  |
| <b>Cx</b> | F  | V  | V  | V  | C  | C  | C  | C  | C  | O* | C  | O* | C  | C  | R  | R  |
| <b>Dx</b> | R  | R  | R  | R  | R  | R  | R  | R  | R  | R  | C  | E  | E  | E  | C  | C  |
| <b>Ex</b> | C  | C  | C  | C  | C  | C  | C  | C  | C  | E  | R  | R  | C  | C  | O  | C  |
| <b>Fx</b> | V  | C  | C  | C  | C  | C  | C  | V  | C  | C  | V  | V  | V  | V  | V  | V  |

**Key:**

C = a defined command.

R = Reserved, undefined in current specifications.

V = Vendor specific commands.

O = Obsolete.

E=a retired command.

F=If the device does not implement the CFA feature set, this command code is Vendor specific.

A=Reserved for assignment by the CompactFlash™ Association

\* indicates that the entry in this table has changed from ATA/ATAPI-4, NCITS 317-1998.



Table F.2 - Commands sorted by command value

| Command name                     | Command code |
|----------------------------------|--------------|
| NOP                              | 00h          |
| CFA REQUEST EXTENDED ERROR CODE  | 03h          |
| DEVICE RESET                     | 08h          |
| READ SECTOR(S)                   | 20h          |
| WRITE SECTOR(S)                  | 30h          |
| CFA WRITE SECTORS WITHOUT ERASE  | 38h          |
| READ VERIFY SECTOR(S)            | 40h          |
| SEEK                             | 70h          |
| CFA TRANSLATE SECTOR             | 87h          |
| EXECUTE DEVICE DIAGNOSTIC        | 90h          |
| INITIALIZE DEVICE PARAMETERS     | 91h          |
| DOWNLOAD MICROCODE               | 92h          |
| PACKET                           | A0h          |
| IDENTIFY PACKET DEVICE           | A1h          |
| SERVICE                          | A2h          |
| SMART                            | B0h          |
| CFA ERASE SECTORS                | C0h          |
| READ MULTIPLE                    | C4h          |
| WRITE MULTIPLE                   | C5h          |
| SET MULTIPLE MODE                | C6h          |
| READ DMA QUEUED                  | C7h          |
| READ DMA                         | C8h          |
| WRITE DMA                        | CAh          |
| WRITE DMA QUEUED                 | CCh          |
| CFA WRITE MULTIPLE WITHOUT ERASE | CDh          |
| GET MEDIA STATUS                 | DAh          |
| MEDIA LOCK                       | DEh          |
| MEDIA UNLOCK                     | DFh          |
| STANDBY IMMEDIATE                | E0h          |
| IDLE IMMEDIATE                   | E1h          |
| STANDBY                          | E2h          |
| IDLE                             | E3h          |
| READ BUFFER                      | E4h          |
| CHECK POWER MODE                 | E5h          |
| SLEEP                            | E6h          |
| FLUSH CACHE                      | E7h          |
| WRITE BUFFER                     | E8h          |
| IDENTIFY DEVICE                  | ECh          |
| MEDIA EJECT                      | EDh          |
| SET FEATURES                     | EFh          |
| SECURITY SET PASSWORD            | F1h          |
| SECURITY UNLOCK                  | F2h          |
| SECURITY ERASE PREPARE           | F3h          |
| SECURITY ERASE UNIT              | F4h          |
| SECURITY FREEZE LOCK             | F5h          |
| SECURITY DISABLE PASSWORD        | F6h          |
| READ NATIVE MAX ADDRESS          | F8h          |
| SET MAX ADDRESS                  | F9h          |

Table F.3 - Command codes and parameters

| proto | Command                        | typ | PKT<br>fea | Command<br>code | Parameters used |    |    |    |    |
|-------|--------------------------------|-----|------------|-----------------|-----------------|----|----|----|----|
|       |                                |     |            |                 | FR              | SC | SN | CY | DH |
| ND    | CFA ERASE SECTORS              | O   | N          | C0h             |                 | y  | y  | y  | y  |
| ND    | CFA REQUEST EXTENDED ERROR     | O   | N          | 03h             |                 |    |    |    | D  |
| PI    | CFA TRANSLATE SECTOR           | O   | N          | 87h             |                 |    | y  | y  | y  |
| PO    | CFA WRITE MULTIPLE W/OUT ERASE | O   | N          | CDh             |                 | y  | y  | y  | y  |
| PO    | CFA WRITE SECTORS W/OUT ERASE  | O   | N          | 38h             |                 | y  | y  | y  | y  |
| ND    | CHECK POWER MODE               | M   | M          | E5h             |                 | y  |    |    | D  |
| DR    | DEVICE RESET                   | O   | M          | 08h             |                 |    |    |    | D  |
| PO    | DOWNLOAD MICROCODE             | O   | N          | 92h             | y               | y  | y  | y  | D  |
| DD    | EXECUTE DEVICE DIAGNOSTIC      | M   | M          | 90h             |                 |    |    |    | D* |
| ND    | FLUSH CACHE                    | M   | M          | E7h             |                 | y  | y  | y  | y  |
| ND    | GET MEDIA STATUS               | O   | O          | DAh             |                 |    |    |    | D  |
| PI    | IDENTIFY DEVICE                | M   | N          | ECh             |                 |    |    |    | D  |
| PI    | IDENTIFY PACKET DEVICE         | N   | M          | A1h             |                 |    |    |    |    |
| ND    | IDLE                           | M   | O          | E3h             |                 | y  |    |    | D  |
| ND    | IDLE IMMEDIATE                 | M   | M          | E1h             |                 |    |    |    | D  |
| ND    | INITIALIZE DEVICE PARAMETERS   | M   | N          | 91h             |                 | y  |    |    | y  |
| ND    | MEDIA EJECT                    | O   | O          | EDh             |                 |    |    |    | D  |
| ND    | MEDIA LOCK                     | O   | O          | DEh             |                 |    |    |    | D  |
| ND    | MEDIA UNLOCK                   | O   | O          | DFh             |                 |    |    |    | D  |
| ND    | NOP                            | O   | M          | 00h             |                 |    |    |    | D  |
| P     | PACKET                         | N   | M          | A0h             | y               | y  | y  | y  | D  |
| PI    | READ BUFFER                    | O   | N          | E4h             |                 |    |    |    | D  |
| DM    | READ DMA                       | M   | N          | C8h             |                 | y  | y  | y  | y  |
| DMO   | READ DMA QUEUED                | O   | N          | C7h             | y               | y  | y  | y  | y  |
| PI    | READ MULTIPLE                  | M   | N          | C4h             |                 | y  | y  | y  | y  |
| ND    | READ NATIVE MAX ADDRESS        | O   | N          | F8h             |                 |    |    |    | D  |
| PI    | READ SECTOR(S)                 | M   | N          | 20h             |                 | y  | y  | y  | y  |
| ND    | READ VERIFY SECTOR(S)          | M   | N          | 40h             |                 | y  | y  | y  | y  |
| PO    | SECURITY DISABLE PASSWORD      | O   | O          | F6h             |                 |    |    |    | D  |
| ND    | SECURITY ERASE PREPARE         | O   | O          | F3h             |                 |    |    |    | D  |
| PO    | SECURITY ERASE UNIT            | O   | O          | F4h             |                 |    |    |    | D  |
| ND    | SECURITY FREEZE                | O   | O          | F5h             |                 |    |    |    | D  |
| PO    | SECURITY SET PASSWORD          | O   | O          | F1h             |                 |    |    |    | D  |
| PO    | SECURITY UNLOCK                | O   | O          | F2h             |                 |    |    |    | D  |
| ND    | SEEK                           | M   | N          | 70h             |                 |    | y  | y  | y  |
| P     | SERVICE                        | N   | O          | A2h             |                 | y  | y  | y  | D  |
| ND    | SET FEATURES                   | M   | M          | EFh             | y               |    |    |    | D  |
| ND    | SET MAX ADDRESS                | O   | N          | F9h             |                 | y  | y  | y  | y  |
| ND    | SET MULTIPLE MODE              | M   | N          | C6h             |                 | y  |    |    | D  |
| ND    | SLEEP                          | M   | M          | E6h             |                 |    |    |    | D  |
| ND    | SMART DISABLE OPERATIONS       | O   | O          | B0h             | y               |    |    | y  | D  |
| ND    | SMART ENABLE/DISABLE AUTOSAVE  | O   | O          | B0h             | y               | y  |    | y  | D  |
| ND    | SMART ENABLE OPERATIONS        | O   | O          | B0h             | y               |    |    | y  | D  |
| ND    | SMART EXECUTE OFF_LINE         | O   | O          | B0h             | y               |    |    | y  | D  |
| PI    | SMART READ DATA                | O   | O          | B0h             | y               |    |    | y  | D  |
| PI    | SMART READ LOG SECTOR          | O   | O          | B0h             | y               | y  | y  | y  | D  |
| ND    | SMART RETURN STATUS            | O   | O          | B0h             | y               |    |    | y  | D  |
| PO    | SMART WRITE LOG SECTOR         | O   | O          | B0h             | y               | y  | y  | y  | D  |

(continued)



**Table F.4 - Register functions and selection addresses except PACKET and SERVICE commands**

| Addresses   |      |     |     |     | Functions                      |                |
|---|------|-----|-----|-----|--------------------------------|----------------|
| CS0-  | CS1- | DA2 | DA1 | DA0 | Read (DIOR-)                   | Write (DIOW-)  |
| N   | N    | x   | x   | x   | Released                       | Not used       |
|   |      |     |     |     | <b>Control block registers</b> |                |
| N   | A    | N   | x   | x   | Released                       | Not used       |
| N   | A    | A   | N   | x   | Released                       | Not used       |
| N   | A    | A   | A   | N   | Alternate Status               | Device Control |
| N   | A    | A   | A   | A   | Obsolete(see note)             | Not used       |
|   |      |     |     |     | <b>Command block registers</b> |                |
| A   | N    | N   | N   | N   | Data                           | Data           |
| A   | N    | N   | N   | A   | Error                          | Features       |
| A   | N    | N   | A   | N   | Sector Count                   | Sector Count   |
| A   | N    | N   | A   | A   | Sector Number                  | Sector Number  |
| A   | N    | A   | N   | N   | Cylinder Low                   | Cylinder Low   |
| A   | N    | A   | N   | A   | Cylinder High                  | Cylinder High  |
| A   | N    | A   | A   | N   | Device/Head                    | Device/Head    |
| A   | N    | A   | A   | A   | Status                         | Command        |
| A   | A    | x   | x   | x   | Released                       | Not used       |
| Key:<br>A = signal asserted                      N = signal negated                      x = don't care<br>NOTE – This register is obsolete. It is recommended that a device not respond to a read of this address. |      |     |     |     |                                |                |

**Table F.5 - Register functions and selection addresses for PACKET and SERVICE commands**

| Addresses   |      |     |     |     | Functions                      |                 |
|---|------|-----|-----|-----|--------------------------------|-----------------|
| CS0-  | CS1- | DA2 | DA1 | DA0 | Read (DIOR-)                   | Write (DIOW-)   |
| N   | N    | x   | x   | x   | Released                       | Not used        |
|   |      |     |     |     | <b>Control block registers</b> |                 |
| N   | A    | N   | x   | x   | Released                       | Not used        |
| N   | A    | A   | N   | x   | Released                       | Not used        |
| N   | A    | A   | A   | N   | Alternate Status               | Device Control  |
| N   | A    | A   | A   | A   | Obsolete(see note)             | Not used        |
|   |      |     |     |     | <b>Command block registers</b> |                 |
| A   | N    | N   | N   | N   | Data                           | Data            |
| A   | N    | N   | N   | A   | Error                          | Features        |
| A   | N    | N   | A   | N   | Interrupt reason               |                 |
| A   | N    | N   | A   | A   |                                |                 |
| A   | N    | A   | N   | N   | Byte count low                 | Byte count low  |
| A   | N    | A   | N   | A   | Byte count high                | Byte count high |
| A   | N    | A   | A   | N   | Device select                  | Device select   |
| A   | N    | A   | A   | A   | Status                         | Command         |
| A   | A    | x   | x   | x   | Released                       | Not used        |
| Key:<br>A = signal asserted                      N = signal negated                      x = don't care<br>NOTE – This register is obsolete. A device should not respond to a read of this address. |      |     |     |     |                                |                 |