

**WORKING
DRAFT**

**X3T10
1228D**

Revision 2.0
July 17, 1997

INFORMATION TECHNOLOGY - SCSI-3 Multimedia Commands

This is a draft proposed American National Standard of Accredited Standards Committee X3. As such this is not a completed standard. The X3T10 Technical Committee may modify this document as a result of comments received during public review and its approval as a standard. Use of the information contained herein is at your own risk.

Permission is granted to members of X3, its technical committees, and their associated task groups to reproduce this document for the purposes of X3 standardization activities without further permission, provided this notice is included. All other rights are reserved. Any commercial or for-profit replication or republication is prohibited.

MMC-2 Technical Editor:

Ron Roberts
SIERRA-PAC TECHNOLOGY
PO Box 2389
Shingle Springs, CA 95682
Tel. (916) 677-5714
Fax (916) 677-1218
E-mail: rkroberts@aol.com

Reference number
ISO/IEC ***** :199X
ANSI X3.*** :199X
Printed July 8, 1997

POINTS OF CONTACT:

X3T10 Chair

John B. Lohmeyer
Symbios Logic, Inc.
4420 ArrowsWest Drive
Colo. Spgs, CO 80907-3444
Tel: (719) 533-7560
Fax: (719) 533-7036
Email: john.lohmeyer@symbios.com

X3T10 Vice-Chair

Lawrence J. Lamers
Adaptec Inc.
691 S. Milpitas Blvd.
Milpitas, Ca. 95035
Telephone: (408) 957-7817
Facsimile: (408) 957-7193
Email: ljlammers@aol.com

X3 Secretariat

X3 Secretariat
1250 Eye Street, NW Suite 200
Washington, DC 20005

Telephone: 202-737-8888
Facsimile: 202-638-4922
e-mail: X3@itic.nw.dc.us

SCSI Reflector

Internet address for subscription to the SCSI reflector:
Internet address for distribution via SCSI reflector:

majordomo@symbios.com
scsi@symbios.com

MMC-2 Reflector

Internet address for subscription to the MMC Reflector
Internet address for distribution via MMC Reflector

majordomo@dt.wdc.com
mmc@dt.wdc.com

SCSI Bulletin Board

719-533-7950

Document Distribution

Global Engineering
15 Inverness Way East
Englewood, CO 80112-5704

Telephone: 303-792-2181 or
800-854-7179
Facsimile: 303-792-2192

ABSTRACT

This working draft standard defines the SCSI-3 command set extensions to access multimedia features for all classes of SCSI-3 devices. The applicable clauses of this standard when used in conjunction with the SCSI Primary Commands specification, SCSI-3 Block Commands, and other applicable command set documents pertaining to the subject device class, define the full standard set of commands available for that device in the SCSI-3 environment.

PATENT STATEMENT

The developers of this standard have requested that holder's of patents that may be required for the implementation of the standard, disclose such patents to the publisher. However neither the developers nor the publisher have undertaken a patent search in order to identify which if any patents may apply to this standard.

No position is taken with respect to the validity of any claim or any patent rights that may have been disclosed. Details of submitted statements may be obtained from the publisher concerning any statement of patents and willingness to grant a license under these rights on reasonable and non-discriminatory terms and conditions to applicants desiring to obtain such a license.

REVISION HISTORY

Revision 0.0 Initial draft of the document

Table of Contents

REVISION HISTORY.....	iii
Foreword.....	xv
Introduction	xvi
1. Scope	1
2. Normative References.....	2
2.1. Approved references.....	2
2.2. References under development	2
2.3. Other references.....	2
3. Definitions, abbreviations and symbols.....	4
3.1. Definitions of terms	4
3.2. Abbreviations and symbols.....	8
3.3. Conventions.....	8
3.4. Keywords.....	8
4. C/DVD Models	9
4.1. General	9
4.1.1. CD address reporting formats (MSF bit)	9
4.1.2. Logical Blocks	9
4.1.3. RESETS	10
4.1.3.1. Power On Reset.....	10
4.1.3.2. Hard Reset.....	10
4.1.3.3. Device Reset.....	10
4.1.3.4. Mapping of reset functions	11
4.1.4. Error reporting	11
4.1.5. Deferred Errors.....	12
4.1.6. Time-out Model.....	12
4.1.7. Removable medium	13
4.2. CD Device Model.....	14
4.2.1. CD media organization.....	14
4.2.2. CD Physical Data Format	17
4.2.3. Frame Format for Audio	17
4.2.4. Sector Format for Data	18
4.2.4.1. Multi Session Format	19
4.2.5. Supported Block Sizes	19
4.2.6. Frame format for audio.....	19
4.2.7. Q sub-channel information formats.....	20
4.2.7.1. Q sub-channel Mode-1	20
4.2.7.2. Q sub-channel Mode-2	21
4.2.7.3. Q sub-channel Mode-3	22
4.2.7.4. Q sub-channel Mode-5	23
4.2.8. CD Audio error reporting	23
4.2.9. CD ready condition/not ready condition.....	24
4.2.10. Sensing support for CD-audio commands.	25
4.3. DVD Model	26
4.3.1. DVD Media Organization.....	26
4.3.2. Track Structure.....	26
4.3.3. Header Layout	28
4.3.4. Lead-in Contents	29
4.3.5. Sector Layout.....	29
4.3.6. Control Area Data	30
4.3.7. Control Area Sector Descriptions.....	30

4.3.8. DVD Ready Condition/Not Ready Condition	31
4.3.9. DVD Copy Protection	31
4.4. Changer Model	32
4.4.1. Side definition	32
4.4.1.1. Side Changing Only Logical Unit	33
4.4.1.2. Attention Conditions for Sided Discs	33
4.4.1.3. Error Conditions for Sided Discs	33
4.4.1.4. Initialization	34
4.4.2. Changer Addressing	34
4.4.3. Automatic Load and Unload Operations	34
4.4.4. Delayed Disc load operation	35
4.4.5. Prevent / Allow processing	36
4.4.6. Error Reporting for Changers	36
5. Features and Profiles	37
5.1. Introduction	37
5.2. Feature Definitions	38
5.2.1. Core Device Feature	38
5.2.2. Microcode Upgrade Feature	39
5.2.3. Random Readable Block Device Feature	39
5.2.4. Random Writable Block Device Feature	39
5.2.5. FORMAT Feature	39
5.2.6. Power Management Feature	40
5.2.7. S.M.A.R.T. Feature	40
5.2.8. Event Notification Feature	41
5.2.9. Embedded Changer Feature	41
5.2.10. Removable Medium Feature	42
5.2.11. CD-Audio Analog Output Feature	43
5.2.12. CD-Audio Digital Output Feature	43
5.2.13. CD READ Feature	44
5.2.14. C/DVD-R Feature	44
5.2.15. RESTRICTED OVERWRITE Feature	44
5.2.16. DVD READ Feature	44
5.2.17. RANDOM WRITABLE Feature	45
5.2.18. DVD-CSS Feature	45
5.2.19. AV Streaming	45
5.2.20. User input feature	45
5.3. Profile Definitions	46
5.3.1. Disk Drive Profiles	46
5.3.1.1. 1394 Simple Hard Disk Drive Profile	46
5.3.1.2. 1394 Removable Medium Disk Drive Profile	46
5.3.2. CDROM Profiles	47
5.3.2.1. 1394 CDROM Profile	47
5.3.2.2. ATAPI CDROM Profile	47
5.3.2.3. SCSI CDROM Profile	48
5.3.3. CDR Profiles	48
5.3.3.1. 1394 CDR Profile	48
5.3.3.2. ATAPI CDR Profile	48
5.3.3.3. SCSI CDR Profile	49
5.3.4. CDRW Profiles	49
5.3.4.1. 1394 CDRW Profile	49
5.3.4.2. ATAPI CDRW Profile	49
5.3.4.3. SCSI CDRW Profile	50
5.3.5. DVD-ROM Profiles	50
5.3.5.1. 1394 DVD-ROM Profile	50

5.3.5.2. ATAPI DVD-ROM Profile	50
5.3.5.3. SCSI DVD-ROM Profile	50
5.3.6. DVD-R Profiles	51
5.3.6.1. 1394 DVD-R Profile.....	51
5.3.6.2. ATAPI DVD-R Profile	51
5.3.6.3. SCSI DVD-R Profile	51
5.3.7. DVD-RAM Profiles	51
5.3.7.1. 1394 DVD-RAM Profile.....	51
5.3.7.2. ATAPI DVD-RAM Profile	51
5.3.7.3. SCSI DVD-RAM Profile	51
5.3.8. Tape Profiles	51
5.3.8.1. 1394 Tape Profile	51
5.3.8.2. ATAPI Tape Profile	51
5.3.8.3. SCSI Tape Profile.....	51
6. Command Descriptions for All Logical Units	52
6.1. C/DVD Commands	53
6.1.1. BLANK Command.....	56
6.1.2. CLOSE TRACK/SESSION Command.....	58
6.1.3. FORMAT UNIT command.....	60
6.1.4. GET EVENT STATUS NOTIFICATION.....	63
6.1.5. LOAD/UNLOAD MEDIUM Command.....	64
6.1.6. MECHANISM STATUS Command	66
6.1.7. PAUSE/RESUME Command.....	69
6.1.8. PLAY AUDIO(10) Command.....	70
6.1.8.1. Play Audio with Immediate Packet Commands.....	70
6.1.9. PLAY AUDIO(12) Command.....	72
6.1.10. PLAY AUDIO MSF Command	73
6.1.11. PLAY CD Command (Obsolete).....	74
6.1.12. READ BUFFER CAPACITY Command (Obsolete).....	76
6.1.13. READ CD Command	78
6.1.13.1. Description of Sub-Channels R-W	85
6.1.14. READ CD MSF Command.....	87
6.1.15. READ C/DVD RECORDED CAPACITY Command (Obsolete).....	88
6.1.16. READ DISC INFORMATION Command.....	90
6.1.17. READ DVD STRUCTURE Command.....	95
6.1.18. READ HEADER Command (Obsolete).....	101
6.1.19. READ MASTER CUE Command (Obsolete).....	103
6.1.20. READ RZONE INFORMATION Command.....	105
6.1.21. READ SUB-CHANNEL Command	106
6.1.21.1. Sub-Channel Data Header	106
6.1.21.2. Sub-Channel Data Format (01h), CD current position	107
6.1.21.3. Sub-Channel Data Format (02h), Media Catalogue Number	109
6.1.21.4. Sub-Channel Data Format (03h), Track International Standard Recording Code	110
6.1.22. READ TOC/PMA/ATIP Command	113
6.1.22.1. READ TOC Response parameter list, general definition.....	114
6.1.22.2. TOC/PMA/ATIP Response Data Format 0000b.....	115
6.1.22.3. TOC/PMA/ATIP Response Data Format 0001b.....	116
6.1.22.4. TOC/PMA/ATIP Response Data Format 0010b.....	117
6.1.22.5. TOC/PMA/ATIP Response Data Format 0011b.....	120
6.1.22.6. TOC/PMA/ATIP Response Data Format 0100b.....	121
6.1.23. READ TRACK INFORMATION Command	123
6.1.24. REPAIR RZONE Command	129
6.1.25. REPAIR TRACK command (Obsolete).....	130
6.1.26. REPORT CONFIGURATION Command	131

6.1.27. REPORT KEY Command.....	135
6.1.28. RESERVE TRACK Command	136
6.1.29. RESERVE RZONE Command.....	138
6.1.30. SCAN Command.....	139
6.1.31. SEND CUE SHEET Command.....	142
6.1.31.1. CUE SHEET FORMAT	142
6.1.31.2. Information of the absolute disc location.....	143
6.1.31.3. Data Form of Sub-Channel	148
6.1.31.4. Absolute Time.....	148
6.1.31.5. Session Format.....	148
6.1.31.6. Pre-gap.....	149
6.1.31.7. Post-gap	149
6.1.31.8. Catalog Number	149
6.1.31.9. ISRC	150
6.1.32. SEND KEY Command	151
6.1.33. SEND OPC INFORMATION Command	153
6.1.34. SET C/DVD SPEED Command (Obsolete).....	155
6.1.35. SET READ AHEAD Command.....	156
6.1.36. STOP PLAY/SCAN Command.....	157
6.1.37. SYNCHRONIZE CACHE Command.....	159
6.1.38. WRITE Command.....	160
7. Parameters for all Logical Unit types.....	163
7.1. Mode Pages.....	163
7.1.1. CD Audio Control Parameters Page.....	164
7.1.2. C/DVD Capabilities and Mechanical Status Page	166
7.1.3. C/DVD Time-out & Protect Page.....	169
7.1.4. Fault / Failure Reporting Control Page.....	170
7.1.5. Power Condition Page.....	171
7.1.6. Read/Write Error Recovery Parameters Page	172
7.1.7. Write Parameters Mode Page	174
7.1.8. Verify error recovery parameters.....	178
7.2. Parameters for CD devices	178
7.2.1. Diagnostic parameters	178
7.2.2. Log parameters.....	179
7.2.3. Mode parameters	179
7.2.3.1. CD Capabilities and Mechanical Status Page.....	182
7.3. Write Parameters	193
7.3.1. Mode Select/Sense Parameters.....	193
7.3.2. Feature Set Support & Version Page	195
7.3.2.1. CD Audio Control parameters	196
7.3.2.2. CD device parameters.....	197
7.3.2.3. Read error recovery parameters	198
Annex A Additional Sense Codes for CD (normative).....	200
A.1. Error Reporting.....	200
Annex B ATAPI Compliance (normative).....	212
B.1. Introduction.....	212
B.2. General	212
B.2.1. Terms	212
B.2.2. Supported Block Sizes.....	212
B.2.3. CD Audio error reporting.....	212
B.2.4. Multi-Initiator Environment.....	212
B.2.5. Command Packet Padding.....	212
B.3. ATAPI CD Commands.....	213

6.1.24. REPAIR RZONE Command	Error! Bookmark not defined.
B.4. Parameters for CD devices.....	215
B.4.1. Mode parameters.....	215
B.4.2. CD Audio Control parameters	215
B.4.3. Write Parameters Mode Page	215
Annex C Command Play/Scan Operation (normative).....	216
Annex N Command Listings (Informative).....	217
6.1.24. REPAIR RZONE Command	218
6.1.35. SET READ AHEAD Command.....	218
6.1.24. REPAIR RZONE Command	220
Annex O - Event/Status Notification Functions (Informative).....	224
Annex P - Power Management Functions (Informative).....	225

List of Tables

Table 1 - MSF Address format	9
Table 2 - Example Reset Function Mapping in ATAPI and SCSI	11
Table 3 - Sense key responses for error reporting.....	11
Table 4 - Example of Mixed Mode CD Disc Layout.....	15
Table 5 - Block Sizes for Read.....	19
Table 6 - ISRC 6 bit character codes (in hexadecimal).....	23
Table 7 - Not Ready Error Reporting (by command).....	24
Table 8- Control Area Definition.....	30
Table 9 - Physical Format Definition	30
Table 10 - Recorded Area Allocation Definition	31
Table 11 - Commands that may cause delayed loads to occur.....	35
Table 12 - Commands that will cause delayed loads to occur	35
Table 13 - Commands that should not cause delayed loads to occur.....	36
Table 14 - Error Conditions and Sense Keys for Changer Mechanisms.....	36
Table 15 - Features.....	38
Table 16 - Core Device Commands	38
Table 17 - Microcode Upgrade Command	39
Table 18 - Random Readable Block Device Commands.....	39
Table 19 - Random Writable Block Device Commands.....	39
Table 20 - FORMAT Feature.....	39
Table 21 - Power Management Commands.....	40
Table 22 - Power Management Mode Parameters	40
Table 23 - S.M.A.R.T. Mode Parameters	41
Table 24 - Event Notification Commands	41
Table 25 - Embedded Changer Command	41
Table 26 - Removable Medium Commands	42
Table 27 - CD-Audio Analog Output Commands	43
Table 28 - CD-Audio Analog Output Mode Pages	43
Table 29 - CD-Audio Digital Output Commands.....	43
Table 30 - CD-Audio Digital Output Mode Pages.....	43
Table 31 - CD READ Commands.....	44
Table 32 - C/DVD-R Commands.....	44
Table 33 - RESTRICTED OVERWRITE Feature	44
Table 34 - DVD READ Commands.....	44
Table 35 - RANDOM WRITABLE Feature Commands.....	45
Table 36 - DVD-CSS Feature Commands.....	45
Table 37 - 1394 Simple Hard Disk Drive Profile.....	46
Table 38 - Power Management Mode Parameters	46
Table 39 - 1394 Removable Medium Disk Drive Profile	46
Table 40 - 1394 CDROM Profile	47
Table 41 - ATAPI CDROM Profile	47
Table 42 - SCSI CDROM Profile.....	48
Table 43 - 1394 CDR Profile	48
Table 44 - ATAPI CDR Profile.....	48
Table 45 - SCSI CDR Profile.....	49
Table 46 - 1394 CDRW Profile.....	49
Table 47 - 1394 DVD-ROM Profile.....	50
Table 48 - ATAPI DVD-ROM Profile	50
Table 49 - SCSI DVD-ROM Profile	51
Table 50 - Multimedia Commands Specific to C/DVD Devices	53
Table 51 - BLANK Command Descriptor Block.....	56
Table 52 - Blanking Types	57
Table 53 - Recommended errors for BLANK Command.....	57

Table 54 - CLOSE TRACK/SESSION Command Descriptor Block	58
Table 55 - Session and Track Bits Definitions	58
Table 56 - Recommended errors for CLOSE TRACK/SESSION Command	59
Table 57 - Format Unit Command.....	60
Table 58 - Format Unit Parameter List	60
Table 59 - Format List Header.....	61
Table 60 - Initialization Descriptor.....	61
Table 61 - CD-RW Format Descriptor	61
Table 62 - Recommended errors for FORMAT UNIT Command	62
Table 63 - LOAD/UNLOAD MEDIUM command.....	64
Table 64 - Load/Unload Operations.....	64
Table 65 - Recommended errors for LOAD/UNLOAD MEDIUM operation	65
Table 66 - MECHANISM STATUS Command Descriptor Block	66
Table 67 - Mechanism Status Parameter List.....	67
Table 68 - Mechanism Status Header.....	67
Table 69 - Changer State Field	67
Table 70 - Mechanism State Field	68
Table 71 - Slot Table Response Format.....	68
Table 72 - Recommended errors for Mechanism Status command	68
Table 73 - PAUSE/RESUME Command Descriptor Block	69
Table 74 - Recommended errors for PAUSE/RESUME command	69
Table 75 - PLAY AUDIO(10) Command Descriptor Block	70
Table 76 - Recommended errors for PLAY AUDIO(10) Command	71
Table 77 - PLAY AUDIO(12) Command Descriptor Block	72
Table 78 - Recommended errors for PLAY AUDIO(12) Command	72
Table 79 - PLAY AUDIO MSF Command Descriptor Block	73
Table 80 - Recommended errors for PLAY AUDIO MSF Command	73
Table 81 - PLAY CD Command Descriptor Block.....	74
Table 82 - Expected Sector type field bit definitions	74
Table 83 - PLAY CD Field definition.....	75
Table 84 - Recommended errors PLAY CD Command	75
Table 85 - READ BUFFER CAPACITY Command Descriptor Block	76
Table 86 - READ BUFFER CAPACITY data.....	76
Table 87 - Recommended errors for READ BUFFER CAPACITY Command	77
Table 88 - READ CD Command Descriptor Block	78
Table 89 - Header Code field definition	79
Table 90 - READ CD, Error field definition	79
Table 91 - READ CD, Sub-channel Data Selection Field definition.....	80
Table 92 - Formatted Q sub-channel response data.....	80
Table 93 - Number of Bytes Returned Based on Data Selection Field.....	81
Table 94 - Recommended errors for READ CD command	83
Table 95 - CD-DA (Digital Audio) Data Block Format.....	83
Table 96 - R-W RAW data format	83
Table 97 - P-W Data de-interleaved and error corrected	84
Table 98 - Sub-channel R-W; Allowed mode/item combinations	86
Table 99 - READ CD MSF Command Descriptor Block.....	87
Table 100 - Recommended errors for READ CD MSF Command.....	87
Table 101 - READ C/DVD RECORDED CAPACITY Command Descriptor Block	88
Table 102 - READ CD RECORDED CAPACITY data format	88
Table 103 - Recommended errors for READ CD RECORDED CAPACITY Command.....	89
Table 104 - READ DISC INFORMATION Command Descriptor Block	90
Table 105 - Disc Information Block.....	91
Table 106 - Disc Status.....	92
Table 107 - State of Last Session	92

Table 108 - Disc Type Field - PMA	93
Table 109 - OPC Table Entry	93
Table 110 - Recommended errors for READ DISC INFORMATION Command	94
Table 111 - READ DVD STRUCTURE Command	95
Table 112 - Format Code definitions for READ DVD STRUCTURE command.....	96
Table 113 - READ DVD STRUCTURE Data Format (Format field = 00h).....	96
Table 114 - Layer Descriptor(s).....	97
Table 115 - READ DVD STRUCTURE Data Format (Format field = 01h).....	98
Table 116 - READ DVD STRUCTURE Data Format (Format field = 02h).....	99
Table 117 - READ DVD STRUCTURE Data Format (Format field = 03h).....	99
Table 118 - READ DVD STRUCTURE Data Format (Format field = 04h).....	100
Table 119 - READ HEADER Command Descriptor Block	101
Table 120 - READ HEADER LBA data format	101
Table 121 - CD Data Mode field.....	102
Table 122 - READ HEADER MSF data format	102
Table 123 - Recommended errors for READ HEADER command	102
Table 124 - READ MASTER CUE Command Descriptor Block.....	103
Table 125 - Sheet Number Values	103
Table 126 - Master CD response data format.....	103
Table 127 - Recommended errors for READ MASTER CUE Command.....	104
Table 128 - READ SUB-CHANNEL Command Descriptor Block	106
Table 129 - Sub-channel parameter list codes.....	106
Table 130 - Sub-Q Channel Data Header Format.....	107
Table 131 - Audio status codes	107
Table 132 - CD current position data format.....	107
Table 133 - ADR Q sub-channel field.....	108
Table 134 - Q sub-channel control field.....	108
Table 135 - Media Catalogue Number data format.....	109
Table 136 - MCN Format of Data Returned.....	109
Table 137 - Track International Standard Recording Code data format.....	110
Table 138 - ISRC Format of Data Returned	111
Table 139 - Recommended errors for READ SUB-CHANNEL command.....	112
Table 140 - READ TOC/PMA/ATIP Command Descriptor Block	113
Table 141 - Format Field.....	113
Table 142 - READ TOC/PMA/ATIP parameter list, general definition.....	114
Table 143 - READ TOC/PMA/ATIP response data (Format = 0000b)	115
Table 144 - READ TOC/PMA/ATIP response data (Format = 0001b)	116
Table 145 - READ TOC/PMA/ATIP response data (Format = 0010b)	117
Table 146 - TOC Track Descriptor Format, Q sub-channel.....	118
Table 147 - POINT Field.....	118
Table 148 - Disc Type Byte Format	119
Table 149 - READ TOC/PMA/ATIP response data (Format = 0011b)	120
Table 150 - READ TOC/PMA/ATIP response data (Format = 0100b)	121
Table 151 - Lowest CLV Recording Speeds.....	122
Table 152 - Highest CLV Recording Speeds.....	122
Table 153 - Recommended errors for READ TOC/PMA/ATIP Command.....	122
Table 154 - READ TRACK INFORMATION Command Descriptor Block	123
Table 155 - Track Number/LBA Field definition	123
Table 156 - Track Information Block.....	124
Table 157 - Write Parameter Restrictions due to Track State	125
Table 158 - Track Status Indications	126
Table 159 - Data Mode.....	126
Table 160 - Next Writable Address Definition.....	127
Table 161 - Recommended errors for READ TRACK INFORMATION Command	128

Table 162 - REPAIR TRACK Command Descriptor Block.....	130
Table 163 - Recommended errors for REPAIR TRACK Command.....	130
Table 164 - REPORT CONFIGURATION Command Descriptor Block	131
Table 165 - Report Configuration Parameter List	132
Table 166 - Report Configuration Header	132
Table 167 - Medium Type Codes.....	133
Table 168 - Feature Set Table Response Format	133
Table 169 - Feature Set Code definition.....	134
Table 170 - RESERVE TRACK Command Descriptor Block	136
Table 171 - Track reservation sizing.....	136
Table 172 - Recommended errors for RESERVE TRACK Command	137
Table 173 - SCAN Command Descriptor Block.....	139
Table 174 - Type field bit definitions.....	140
Table 175 - Scan starting address field format-logical blocks.....	140
Table 176 - Scan Starting Address format - MIN, SEC, FRAME format.....	140
Table 177 - Scan Starting Address Format-Track Number (TNO)	140
Table 178 - Recommended errors for SCAN operation	141
Table 179 - SEND CUE SHEET Command Descriptor Block.....	142
Table 180 - Cue Sheet format	142
Table 181 - Sample CUE SHEET	143
Table 182 - Cue Sheet Data	144
Table 183 - CTL/ADR byte	144
Table 184 - Control Field	144
Table 185 - ADR Field.....	145
Table 186 - Data Form Byte	145
Table 187 - SCMS Byte.....	145
Table 188 - CD-DA Data format (1 Sample)	146
Table 189 - Data Form of Sub-channel	148
Table 190 - Catalog Number (N1..N13).....	149
Table 191 - ISRC (I1..I12).....	150
Table 192 - Recommended Sense Key, ASC and ASCQ SEND CUE SHEET Command.....	150
Table 193 - SEND KEY Command.....	151
Table 194 - Key Format Code definitions for SEND KEY command	151
Table 195 - SEND KEY Parameter List (KEY Format field =000001b).....	152
Table 196 - SEND KEY Parameter List (KEY Format field =000011b).....	152
Table 197 - SEND OPC INFORMATION Command Descriptor Block	153
Table 198 - SEND OPC INFORMATION Parameter List.....	153
Table 199 - Recommended errors for SEND OPC INFORMATION Command	154
Table 200 - SET C/DVD SPEED Command Descriptor Block.....	155
Table 201 - Recommended errors for SET C/DVD SPEED Command.....	155
Table 202 - STOP PLAY/SCAN Command Descriptor Block.....	157
Table 203 - Recommended errors for STOP PLAY/SCAN Command.....	157
Table 204 - SYNCHRONIZE CACHE Command	159
Table 205 - Recommended errors for SYNCHRONIZE CACHE Command	159
Table 206 - WRITE command.....	160
Table 207- LBA to MSF translation	161
Table 208 - Recommended errors for WRITE Command.....	162
Table 209- Mode Page Codes for C/DVD	163
Table 210 - CD Audio Control Mode Page Format	164
Table 211 - CDDA Output Port Channel Selection Codes.....	165
Table 212 - Attenuation Levels for Audio.....	165
Table 213 - CD Capabilities and Mechanical Status Page.....	166
Table 214 - C/DVD Time-out & Protect Page.....	169
Table 215 - Fault/ Failure Reporting Control Page.....	170

Table 216 - Method of Reporting Fault/Failure Reporting Field.....	171
Table 217 - Power Condition Mode Page Format.....	172
Table 218 - Read/Write Error Recovery Parameters Page Format	173
Table 219 - Write Parameters Mode Page.....	175
Table 220 - Write Type Field.....	176
Table 221 - Multi-session Field Definition.....	176
Table 222 - Data Block Type Codes.....	177
Table 223 - Session Format Codes.....	178
Table 224 - Diagnostic page codes.....	178
Table 225 - Log page codes	179
Table 226 - CD medium type codes	179
Table 227 - CD device specific parameter.....	180
Table 228 - CD Density codes	180
Table 229 - Mode page codes	181
Table 230 - CD Capabilities and Mechanical Status Page.....	182
Table 231 - Loading Mechanism Type.....	186
Table 232 - Data Rate Examples.....	187
Table 233 - Verify error recovery parameters page	187
Table 234 - CD Devices, error recovery description.....	189
Table 235- Mode Parameter List.....	193
Table 236- Mode Page Codes for C/DVD	193
Table 237 - Mode Page Format.....	194
Table 238 - Mode Parameter Header.....	194
Table 239 - Block Descriptor Block Sizes for Read.....	195
Table 240 - Feature Set Support & Version Page Format.....	195
Table 241 - CD Audio Control parameters page	196
Table 242 - Output port channel selection	197
Table 243 - CD parameters page	197
Table 244 - Inactivity timer multiplier values	198
Table 245 - Read error recovery parameters page	198
Table 246 - Error Recovery Parameter Bit Settings.....	199
Table A.1 - CD Device Sense Key, ASC and ASCQ Assignments	201
Table A.2 - CD General Errors.....	207
Table A.3 - CD Media Access Errors.....	209
Table A.4 - CD Write Errors	211
Table A.5 - CD Fixation Errors	211
Table B.1. - ATAPI CD Commands	213
Table B.2 - Mode page codes.....	215
Table C.1 - Commands That Will Stop a Play or Scan Operation	216
Table N.1 - Multimedia Commands - Alphabetically.....	217
Table N.2 - Multimedia Commands - by OpCode	218
Table N.3 - Commands Common to all SCSI Devices	219
Table N.4 (cont.) - Commands Common to all SCSI Devices	220

List of Figures

Figure 1 - Small Frame layout and definition.....	17
Figure 2 - CD-ROM Sector Formats.....	18
Figure 3 - CD-R/RW Disc Layout.....	19
Figure 4 - Q sub-channel Information Block.....	20
Figure 5 - Q sub-channel Mode-1 Format recorded in lead-in.....	20
Figure 6 - Q sub-channel Mode-1 Format recorded in Program Area and lead-out.....	20
Figure 7 - Q sub-channel Mode-2 Format.....	22
Figure 8 - Q sub-channel, Mode-3 Format.....	22
Figure 9 - Parallel Track Path Description.....	27
Figure 10 - Opposite Track Path Description.....	27
Figure 11 - Header Layout.....	28
Figure 12 - Lead-in Contents.....	29
Figure 13 - Sector Layout.....	29
Figure 14 - Media Changer Mechanism Model.....	32
Figure 15 - Changer State Diagram.....	34
Figure 16 - Read CD Sub-Channel, R-W (100b).....	85
Figure 17 - CD (CD-DA).....	146
Figure 18 - CD-ROM mode 1.....	146
Figure 19 - CD-ROM XA, CD-I.....	147
Figure 20 - CD-ROM Mode 2.....	147
Figure 21 - Location of Sub-channel Data.....	148
Figure 22 - Stop Play/Play Audio/Audio Scan/Pause/Resume Sequencing.....	158

Foreword

The Multimedia Command Set standard at present consists of seven clauses and three normative annexes. In addition there are three informative annexes. This standard now describes the CD, CD-R/RW, DVD-ROM, DVD-R, and DVD RAM devices. Also included Magnetic Disks, Tape Drives, that implement a serial bus attachment via the Serial Bus Protocol version 2. All other clauses will be applicable to any device class described in this document unless explicitly stated otherwise.

Clause 1 is the scope.

Clause 2 enumerates the normative references that apply to this standard.

Clause 3 describes the definitions, symbols and abbreviations used in this standard.

Clause 4 describes an overview of models of included device classes and the conventions used in this standard.

Clause 5 describes and identifies Feature Sets that specify the device command and status implementation.

Clause 6 describes all of the commands applicable to the included device classes.

Clause 7 describes the various parameters and mode pages used in control of device features and error recovery

Annex A describes additional sense codes for all included device classes (normative).

Annex B contains a requirements for ATAPI Compliance (normative).

Annex C contains listing of commands and behavior during Play/Scan Operation for C/DVD device classes(normative).

Annex M contains listings of commands used by Serial Magnetic Disks (informative)

Annex N contains listings of commands used by C/DVD device classes (informative).

Annex O describes the Event/Status Notification functions (informative)

Annex P describes the Power management functions for all included device classes (informative)

Other industry standards were reviewed and consulted by the committee in the development of this standard. These standards and specifications are directly related to CD-ROMs, CD-R devices, CD-R/RW devices, DVD-ROM devices, DVD-R devices, and DVD-RAM devices. The documents included Compact Disc CD-DA (RED BOOK), Compact Disc CD-ROM (YELLOW BOOK), Compact Disc CD-R, Recordable CD Systems (ORANGE BOOKS Part II and Part III), Compact Disc CD-XA, Compact Disc CD-DA Enhanced Audio CD Ver 1.0, and Multi-Session Compact Disc. Where practical, this standard is consistent with the accepted industry standards that were consulted.

Introduction

This MMC-2 command set is defined independently of the physical and signaling protocol to enable its implementation in a number of environments. The X3T10 technical committee has seen the need to address the unique requirements for the SCSI support of multimedia in this document. This provides a central reference for both multimedia implementors and implementors of the SCSI-3 standard.

The physical transports currently being defined for SCSI-3 command sets include SCSI Parallel Interface (SPI), Serial Storage Architecture (SSA), Fibre Channel FC-4, and IEEE 1394 described in Serial Bus Protocol -2(SBP-2). Implementors may assure architectural coherency across multiple environments by implementing the applicable clauses contained within the SCSI-3 Architectural Model Specification (X3.270-199x0)(SAM).

It is anticipated that this standard may be updated periodically in response to technological advances.

All standard updates are subject to the X3 policies and procedures accredited by ANSI and involve a public review period and balloting process.

With any technical document there may arise questions of interpretation as new products are implemented. The X3 Committee has established procedures to issue technical opinions concerning the standards developed by the X3 organization. These procedures may result in SCSI Technical Information Bulletins being published by X3.

These Bulletins, while reflecting the opinion of the Technical Committee that developed the standard, are intended solely as supplementary information to other users of the standard. This standard, X3T10/1048D, as approved through the publication and voting procedures of the American National Standards Institute, is not altered by these bulletins. Any subsequent revision to this draft standard may or may not reflect the contents of these Technical Information Bulletins.

Current X3 practice is to make Technical Information Bulletins available through:

Global Engineering
15 Inverness Way East
Englewood, CO 80112-5704

Telephone: 303-792-2181 or
800-854-7179
Facsimile: 303-792-2192

1. Scope

This standard defines the multimedia command set extensions for all classes of SCSI devices. The commands specified within this standard define standard access and control to those features of the device that are used in multimedia applications (audio, video, animation). The entire standard command set available for a subject device is fully specified by the clause/clauses of this standard pertaining to that device, the applicable clauses of SCSI-3 Primary Commands, and any additional command set standards pertaining to the subject device.

The SPC command set and these extensions are transport independent and may be implemented across a wide variety of environments for which a SCSI-3 command mapping and delivery vehicle has been defined. To date these include Fibre Channel, SCSI Parallel Interface, High Performance Serial Bus, and Serial Storage Architecture.

The objective of this command set is to provide for the following:

- 1) To provide a definition of the command format and functionality independent of delivery, protocol/signaling or transport mechanism. Architectural constraints regarding command function across the various transports are addressed in the SCSI-3 Architectural Model and the document specific to the physical transport.
- 2) To provide standardized access to common features of SCSI-3 devices employed in multimedia applications.
- 3) To provide host computer software/firmware with device independence within a class of devices. Thus, different tape drives, optical media drives, and other devices can be added to host computers without requiring modifications to generic system hardware and software. Provision is made for the addition of special features and functions through the use of vendor-specific options. Reserved opcodes are provided for future standardization.
- 4) To provide compatibility such that properly conforming SCSI-2 devices may inter-operate with SCSI-3 devices given that the systems engineering is correctly done. SCSI-3 protocol extensions are designed to be permissive of rejections by conforming SCSI-2 devices and thus allow the SCSI-2 device to continue operation without requiring the use of the extension.

2. Normative References

The following standards contain provisions which, through reference in the text, constitute provisions of this standard. At the time of publication, the editions indicated were valid. All standards are subject to revision, and parties to agreements based on this standard are encouraged to investigate the possibility of applying the most recent editions of the standards listed below.

Copies of the following documents can be obtained from ANSI: Approved ANSI standards, approved and draft international and regional standards (ISO, IEC, CEN/CENELEC, ITUT), and approved and draft foreign standards (including BSI, JIS, and DIN). For further information, contact ANSI Customer Service Department at 212-642-4900 (phone), 212-302-1286 (fax) or via the World Wide Web at <http://www.ansi.org>.

Additional availability contact information is provided below as needed.

2.1. Approved references

The following approved ANSI standards, approved international and regional standards (ISO, IEC, CEN/CENELEC, ITUT), may be obtained from the international and regional organizations who control them.

ISO/IEC 10149, Information Technology-Data Interchange on Read-only 120 mm Optical Data Discs (CD-ROM).

IEC 908:1987, Compact Disc Digital Audio System

Members of IEC and ISO maintain registers of currently valid International Standards.

2.2. References under development

At the time of publication, the following referenced standards were still under development. For information on the current status of the document, or regarding availability, contact the relevant standards body or other organization as indicated.

SCSI-3 Parallel Interface (SPI)	[X3.253]
SCSI-3 Interlocked Protocol (SIP)	[X3T10/0856-D]
SCSI-3 Serial Bus Protocol (SBP)	[X3.268]
SCSI-3 Primary Commands (SPC)	[X3T10/0995-D]
SCSI-3 Block Commands (SBC)	[X3T10/0996-D]
SCSI-3 Medium Changer Commands (SMC)	[X3T10/0999-D]
SCSI-3 MultiMedia Command Set (MMC-1)	[X3T10/1048D]
IEEE P1394a High Performance Serial Bus	

For more information on the current status of the above documents, contact (Secretariat). To obtain copies of these documents, contact Global Engineering or (Secretariat).

2.3. Other references

The following standards and specification were also consulted.

Compact Disc Digital Audio (CD-DA), specified in the System Description Compact Disc Digital Audio ("Red Book"), N.V. Philips and Sony Corporation. See also IEC 908:1987, Compact Disc Digital Audio System

Compact Disc Read Only Memory (CD-ROM), specified in the System Description Compact Disc Read Only Memory ("Yellow Book"), N.V. Philips and Sony Corporation. See also ISO/IEC 10149, Information Technology-Data Interchange on Read-only 120 mm Optical Data Discs (CD-ROM).

Compact Disc Interactive (CD-I), specified in the CD-I Full Functional Specification ("Green Book"), N.V. Philips and Sony Corporation.

Compact Disc Read Only Memory eXtended Architecture (CD-ROM XA), specified in the System Description CD-ROM XA, N.V. Philips and Sony Corporation.

Compact Disc Write Once (CD-WO), specified in the System Description Recordable Compact Disc Systems, part II: CD-WO (Orange Book part II), N.V. Philips and Sony Corporation

Compact Disc Rewritable (CD-RW), specified in the System Description Recordable Compact Disc Systems, part III: CD-RW (Orange Book part III), N.V. Philips and Sony Corporation

Multisession Compact Disc, specified in the Multisession Compact Disc Specification, N.V. Philips and Sony Corporation.

3. Definitions, abbreviations and symbols

Certain words and terms used in this standard have a specific meaning beyond the normal English meaning. These words and terms are defined either in the glossary or in the text where they first appear. Lower case is used for words having the normal English meaning.

Fields containing only one bit are referred to as the “named” bit instead of the “named” field.

3.1. Definitions of terms

- 3.1.1. **Absolute MSF field** - See MSF address definition.
- 3.1.2. **algorithm type** - Refers to various copy protection techniques.
- 3.1.3. **appendable disc** - A disc in which the last session has a pointer to the next possible session.
- 3.1.4. **ATA (AT Attachment)** - ATA defines the physical, electrical, transport, and command protocols for the internal attachment of block storage devices.
- 3.1.5. **ATAPI (AT Attachment Packet Interface)** - A device which complies with ANSI X3.***-199x, the AT Attachment Packet Interface. In this document such devices are referred to as devices implementing the Packet command feature set.
- 3.1.6. **ATIP** - Absolute Time In Pre-groove
- 3.1.7. **AGID (Authentication Grant ID)** - A value used for resource control during key management. Individual key management threads are identified through the use of AGID.
- 3.1.8. **bcd** - binary coded decimal - The number system used on the physical CD media. Numbers that use this notation have the 'bcd' suffix attached. A byte has two four-bit values each of which can have a value from 0 to 9. The maximum value is 99 bcd (99 decimal).
- 3.1.9. **Block** - The term “Block” refers to data sent to/from the host. The block is data addressed by a Logical Block Address (LBA). Generally the amount of data in a block is controlled by the command.
- 3.1.10. **Bootable CD** - a CD that is capable of providing boot records.
- 3.1.11. **BCA (Burst cutting area)** - Provides a unique physical identification mark for individual DVD medium. This area is not directly addressable by the user.
- 3.1.12. **C/DVD Media** - Term that is used when referring to media that conform either to the CD or DVD specifications.
- 3.1.13. **Challenge key** - Data used during an authentication key exchange process.
- 3.1.14. **CDB (Command Descriptor Block)** - The structure used to communicate commands from a host to C/DVD.
- 3.1.15. **command packet** - “Command Packet” is a structure used to communicate commands from a host to a C/DVD drive. See Command Descriptor Block.
- 3.1.16. **complete session** - A session that contains a written lead-in and lead-out.
- 3.1.17. **CD-DA (Compact Disc-Digital Audio)** - The standard for storing digital audio information. See IEC 908:1987.
- 3.1.18. **CD (Compact Disc)** - A family of related optical storage media or Logical Units.
- 3.1.19. **CD-ROM (Compact Disc - Read Only Memory)** - A standard for storing digitized audio and digital data. CD-ROM is used to describe media with digital data rather than discs that encode audio only.

- 3.1.20. **CD control field** - A four bit field in the Q sub-channel data indicating the type of information encoded on the current track. Indicates audio versus data and the type of audio encoding, etc. The control field is also found in the Table of Contents entries.
- 3.1.21. **CD data mode** - A byte in the header of CD data sectors. This indicates if data is present and if layered error correction information is present.
- 3.1.22. **CD-RW (CD Rewritable)** - A CD that can be re-written.
- 3.1.23. **CD-R (CD Recordable)** - A CD that can be written only once.
- 3.1.24. **CD R/RW** - either a CD-R, or a CD-RW, or both.
- 3.1.25. **CIRC (Cross Interleaved Reed-Solomon Code)** - The error detection and correction technique used on a CD. The CIRC bytes are present in all CD modes. The error correction procedure which uses the CIRC bytes is referred to as the CIRC based algorithm.
- 3.1.26. **Defect Management** - A method for providing error free media.
- 3.1.27. **Disc Key** - A value used during the scrambling process of the title key data on DVD media.
- 3.1.28. **Double Sided** - A medium with two independently addressed sides.
- 3.1.29. **Dual Layer** - Two surfaces that can be accessed from the same side. On dual layer Discs the data is recorded using either OTP or PTP.
- 3.1.30. **DVD** - A family of related optical storage media and Logical Units.
- 3.1.31. **DVD Control Area** - The DVD Control area is comprised of 192 ECC blocks in the Lead-in Area of a DVD medium. The content of 16 sectors in each block is repeated 192 times. This area contains information concerning the disc.
- 3.1.32. **DVD Disc Manufacturing Information** - The DVD Disc Manufacturing Information is recorded in the DVD Control Area and contains information supplied by the disc manufacturer.
- 3.1.33. **DVD ECC-Block** - A self-contained block of data and error correction codes that are grouped into a sequential series of 16 DVD sectors.
- 3.1.34. **DVD-R (DVD Recordable)** - A CD that can be re-written.
- 3.1.35. **DVD-RAM (DVD-Random Access Memory)** - A CD that can be re-written.
- 3.1.36. **DVD-ROM (DVD-Read Only Memory)** - A standardized medium defined by the DVD specification for recording digital data, including digital video movie data.
- 3.1.37. **EAN (European Article Number)** - Controlled by the EAN Council located at Rue des Colonies, 54-BTE8, 1000 Brussels, Belgium.
- 3.1.38. **ECC (Error Correction Code)** - A code for detecting and correcting errors.
- 3.1.39. **EDC (Error Detection Code)** - A code for detecting an error.
- 3.1.40. **field** - A Field is a group of two or more contiguous bits.
- 3.1.41. **Fixed Packet Track** - a track that contains a TDB indicating that the track is a fixed track, and has user packets of a fixed size specified in the TDB.
- 3.1.42. **format** - The arrangement or layout of information on a medium.
- 3.1.43. **frame** - A sector on CD media. Also the F field unit of a MSF CD address. The smallest addressable unit.
- 3.1.44. **hold track state** - When a C/DVD device enters the hold track state the optical pick-up is maintained at an approximately constant radial position on the media.
- 3.1.45. **ID** - A four byte field in the header of DVD sectors which contains sector information and a physical sector number.

- 3.1.46. IED (ID Error Detection)** - A code for detecting errors in an ID field.
- 3.1.47. incomplete session** - A session without lead-in and lead-out written.
- 3.1.48. index** - An index is a subdivision of a track.
- 3.1.49. Layer** - The recorded information is in layers as seen from one side of a DVD Disc. There are single and dual layer Discs.
- 3.1.50. lead-in** - On CD media it is the area that contains the TOC data and precedes each program area. The main channel in the lead-in area contains audio or data null information. This area is coded as track zero. The Q sub-channel in this area is coded with the Table of Contents information.
The DVD Lead-in area is the area comprising physical sectors 1.2 mm wide or more adjacent to the inside of the Data area. The area contains the Control data and precedes the Data area.
- 3.1.51. lead-out** - On CD media it is the area that follows each program area. The main channel in the lead-out area contains audio or data null information. This area is coded as track AA h. The READ CD CAPACITY data is the first logical block address of this area minus one.
The DVD Lead-out area is the area comprising physical sectors 1.0 mm wide or more adjacent to the outside of the data area in single layered disc for PTP (Parallel Track Path) disc, or area comprising physical sectors 1.2 mm wide or more adjacent to the inside of the data area in layer 1 of OTP (Opposite Track Path) disc.
- 3.1.52. L-EC (Layered Error Correction)** - The second level of error correction used on CD data.
- 3.1.53. Logical Block** - A host addressable unit of data.
- 3.1.54. LBA (Logical Block Address)** - The LBA defines a mapping mode to a linear address space.
- 3.1.55. Logical Unit** - A physical or virtual peripheral device addressable through a target.
- 3.1.56. LUN (Logical Unit Number)** - The address of a Logical Unit.
- 3.1.57. Medium** - A single Disc.
- 3.1.58. Middle Area** - Area comprising physical sectors 1.0 mm wide or more adjacent to the outside of the Data Area in OTP (Opposite Track Path) disc on both layers of DVD media.
- 3.1.59. MSF address (Minute/Second/Frame)** - The physical address, expressed as a sector count relative to either the beginning of the medium (absolute) or to the beginning of the current track (relative). As defined by the CD standards, each F field unit is one sector; each S field unit is 75 F field units; each M field unit is 60 S field units. Valid contents of F fields are binary values from 0 through 74. Valid contents of S fields are binary values from 0 through 59. Valid contents of M fields are binary values from 0 through 74.
- 3.1.60. OPC (Optimum Power Calibration)** - a procedure performed by the device to calibrate laser power. Values from this calibration are used for subsequent write operation.
- 3.1.61. OTP (Opposite Track Path)** - A dual layer disc that has a Lead in, two separated user areas, Lead-out, and a Middle area. The physical sector number (PSN) of layer 0 increases to the Lead-out and the one of layer 1 that is complement of layer 0 address increases from the Lead-out to Lead-in.
- 3.1.62. output port** - A means for connecting to data ports other than the Initiator interface.
- 3.1.63. PTP (Parallel Track Path)** - A dual layer disc that has a Lead in, user area and Lead-out in each layer respectively. The ID sector number of both layers increases to the Lead-out in parallel.
- 3.1.64. Packet** - a set of recorded link, run-in, data, and run-out blocks. Typical packet:
- | | | | | | | | |
|------------|----------------|----------------|----------------|----------------|-------------|-----------------|-----------------|
| Link Block | Run-in Block 1 | Run-in Block 2 | Run-in Block 3 | Run-in Block 4 | Data Blocks | Run-out Block 1 | Run-out Block 2 |
|------------|----------------|----------------|----------------|----------------|-------------|-----------------|-----------------|
- 3.1.65. packet size** - is the number of Data Blocks in the packet.

- 3.1.66. **packet track** - a track written as a concatenation of a pre-gap, written as one or two packets, and some non-zero number of user packets.
- 3.1.67. **Physical Sector Number** - A unique address assigned to a physical location and is not modifiable.
- 3.1.68. **post-gap** - A transition area at the end of a data track.
- 3.1.69. **pre-gap** - A transition area at the beginning of a data track.
- 3.1.70. **Program Area(s)** - a logical address space.
- 3.1.71. **PMA (Program Memory Area)** - Contains information about the recordings on a recordable disc.
- 3.1.72. **Regional Code** - A value used to identify one or more regions of the world. Currently there are only six regions defined.
- 3.1.73. **relative MSF field** - See MSF address definition.
- 3.1.74. **Scramble Flag** - An indication that there is scrambled data on the media.
- 3.1.75. **Sector** - In case of CD media, "Sector" refers to the data contained in one frame. In the CD-ROM standard (IEC/ISO 10149) the term block is used for this unit.
In the case of DVD media, Sector is the smallest user addressable part of the media. The user data contained within a sector is 2048 bytes.
- 3.1.76. **Session** - A contiguous area of a Disc that contains a lead-in, a Program Area, and a lead-out.
- 3.1.77. **Single Layer** - The single layer has singular layer per read-out side.
- 3.1.78. **Single Sided** - DVD disc structure is that the two transparent substrates joined together such that the recorded layers are on the inside. Single sided disc has one recorded side and one unrecorded side.
- 3.1.79. **small frame** - 1/98 of a frame.
- 3.1.80. **sub-channel** - CD media have a main channel and a sub-channel. The sub-channel area has eight parts called P, Q, R, S, T, U, V, and W. The Q sub-channel contains information useful to the controller and drive, such as the control field and MSF addresses. The data rate of each sub-channel (P, Q, etc.) is 1/192nd of that of the main channel.
- 3.1.81. **TOC Table of Contents** - The TOC has information on the type of session and the starting address of the tracks. This information is encoded in the Q sub-channel in the lead-in area.
- 3.1.82. **Title Key** - A value used during the scrambling process of movie data on DVD media.
- 3.1.83. **Track Descriptor Block (TDB)** - Contains information on the attributes of the current track.
- 3.1.84. **track** - A logical sub-division of the CD media.
- 3.1.85. **Track at Once** - When a track, including its pre-gap, is written as a single packet.
- 3.1.86. **track relative logical address** - The value used to address logical blocks relative to the beginning of a track.
- 3.1.87. **transition area** - Sectors at the beginning or end of tracks e.g. Pause Area, Pre-Gap, lead-out, Post -Gap.
- 3.1.88. **UPC (Uniform Product Code)** - Controlled by the UPC Council, located at 8163 Old Yankee Road, Suite J, Dayton, Ohio 45459.
- 3.1.89. **user packet** - a packet that contains only user data blocks as the data blocks. User data blocks consist of data transferred to the device during a write command.
- 3.1.90. **writable disc** - A disc that is blank, appendable, or contains an incomplete session.
- 3.1.91. **Yellow book** - ISO/IEC 10149, Information Technology-Data Interchange on Read-only 120 mm Optical Data Discs (CD-ROM).

3.2. Abbreviations and symbols

Numbers that are not immediately followed by lowercase “b,” “h,” or “bcd” are decimal values.

Numbers immediately followed by lowercase “b” (xxb) are binary values.

Numbers immediately followed by lowercase “h” (xxh) are hexadecimal values.

Numbers immediately followed by lowercase “bcd” (xxbcd) are binary coded decimal values.

3.3. Conventions

Various conventions are used through-out this standard and are identified in this sub-clause.

3.3.1. Recommended error code tables defined within each command sub-clause uses the following:

Errors shown in mixed case indicate all errors in that class are valid.

Errors shown in uppercase refer to the identified specific error condition.

3.4. Keywords

Several keywords are used to differentiate between levels of requirements and options, as listed below.

3.4.1. expected - A keyword used to describe the behavior of the hardware or software in the design models assumed by this standard. Other hardware and software design models may also be implemented.

3.4.2. may - A keyword that indicates flexibility of choice with no implied preference.

3.4.3. shall - A keyword indicating a mandatory requirement. Designers are required to implement all such mandatory requirements to ensure interpretability with other standard conforming products.

3.4.4. should - A keyword indicating flexibility of choice with a strongly preferred alternative. Equivalent to the phrase “it is recommended.”

3.4.5. obsolete - A keyword indicating items that were defined in prior version of this standard. These items shall be removed from future version of this standard.

3.4.6. mandatory - A keyword indicating items required to be implemented as defined by this standard.

3.4.7. optional - A keyword that describes features which are not required to be implemented as defined by this standard. However, if any optional feature defined by the standard is implemented, it shall be implemented as defined by the standard.

3.4.8. reserved - A keyword referring to bits, bytes, words, fields and code values that are set aside for future standardization. Their use and interpretation may be specified by future extensions to this or other standards. A reserved bit, byte, word, or field shall be set to zero, or in accordance with future extension to this standard. The recipient shall not check reserved bits, bytes, words or fields. Receipt of reserved code values in defined fields shall be treated as an error.

4. C/DVD Models

4.1. General

4.1.1. CD address reporting formats (MSF bit)

Several CD commands can report addresses either in logical block address or in MSF format (see Table 1). The READ HEADER, READ SUB-CHANNEL, and READ TOC/PMA/ATIP commands have this feature.

Table 1 - MSF Address format

Bit Byte	7	6	5	4	3	2	1	0
0	Reserved							
1	M field							
2	S field							
3	F field							

An MSF bit of zero requests that the logical block address format be used for the CD absolute address field or for the offset from the beginning of the current track expressed as a number of logical blocks in a CD-ROM track relative address field. This track relative logical block address (TRLBA) value is reported as a negative value in twos-complement notation for transition areas that have decreasing MSF encoded relative addresses.

An MSF bit of one requests that the MSF format be used for these fields. In certain transition areas, the relative MSF addresses are decreasing positive values. The absolute MSF addresses are always increasing positive values.

The M, S, and F fields are expressed as binary numbers. The values match those on the media, except for the encoding.

NOTE: For a logical block size of 512 bytes, the MSF address returned is that for the physical block containing the specified logical blocks.

4.1.2. Logical Blocks

Blocks of data are stored on the medium along with additional information that the controller uses to manage the storage and retrieval. The format of the additional information is unique and is hidden from the Host during normal read or write operations. This additional information is often used to identify the physical location of the blocks of data and the address of the logical block, and to provide protection against the loss of the user data.

The address of the first logical block is zero. The address of the last logical block is [n-1], where [n] is the number of logical blocks available on the medium. A READ C/DVD RECORDED CAPACITY command may be issued to determine the value of [n-1]. If a command is issued that requests access to a logical block not within the capacity of the medium, the command is terminated with CHECK CONDITION.

The number of bytes of data contained in a logical block is known as the block length. Each logical block has a block length associated with it. The block length shall not be different for each logical block on the medium. The block descriptor in the MODE SENSE data describes the block length that is used on the medium. Note that the block descriptor will not be present for an ATAPI C/DVD Logical Unit. In addition the Block Descriptor for ATAPI Logical Units has been made Obsolete in this specification.

The location of a logical block on the medium does not have a relationship to the location of any other logical block. However, in a typical Logical Unit the logical blocks are located in an ascending order. The time to access the logical block at address [x] and then the logical block at address [x+1] need not be less than time to access [x] and then [x+100].

4.1.3. RESETS

Within this specification there are three resets defined. These resets will use the following names:

- Power On Reset
- Hard Reset
- Device Reset

These resets will be used differently in each physical interface used. For more information on the use in ATA/ATAPI and SCSI see the sections on implementation notes.

4.1.3.1. Power On Reset

When power is applied, the device executes a series of electrical circuitry diagnostics, resets Logical Unit specific parameters (mode pages) to default values, and if media is present, may spin up and make the logical unit ready for use. In addition power management and key management are reset to their default states.

4.1.3.2. Hard Reset

For each physical interface the detection of Hard Reset is different. The detection of Hard Reset for ATA/ATAPI and SCSI is defined in the implementation sections of this specification. The device executes a series of electrical circuitry diagnostics, resets Logical Unit specific parameters (mode pages) to default values, and if media is present, may spin up and make the logical unit ready for use. In addition power management and key management are reset to their default states. The behavior of the logical unit when Hard Reset is received is the same as for Power On Reset.

Hard Reset is used to reset devices or even a whole interface bus, not individual logical units.

4.1.3.3. Device Reset

For each physical interface the detection of Device Reset is different. The detection of Device Reset for ATA/ATAPI and SCSI is defined in the implementation sections of this specification. The Device Reset is used to bring a hung Logical Unit into a operable state. Device Reset is different from Power On or hard Reset. With the Device Reset the parameters being used by the Logical Unit are not set to the defaults. In some cases this may not be possible and the Logical Unit may need to reset to the default conditions. If a reset to default conditions occurs as a result of a Device Reset, a Unit Attention and Power Management Event Notification shall be generated. Logical Unit should:

- Reset host interface circuitry.
- Perform hardware initialization and device-internal diagnostics only if necessary.
- Do not revert to default conditions, including ATAPI master/slave address, SCSI Device Number, Logical Unit Number or TOC information.
- Stay in the current Power State.
- Persistent Prevent state is unchanged.
- Key management shall be reset to the default state.

4.1.3.4. Mapping of reset functions

Table 2 shows how the different reset functions specified in the various ATAPI and SCSI specifications are used in this specification. Note that this table is not intended to show all possible resets or their mapping.

Table 2 - Example Reset Function Mapping in ATAPI and SCSI

Reset Type	ATAPI	SCSI
Power-On Reset	Same as Power-On Reset	Same as Power-On Reset
Hard Reset	Hard Reset	TARGET RESET task management function
	ATA SRST. This is a channel reset and as such is treated as a Hard Reset. However the SRST shall not reset any mode parameters to the default state.	SAM Reset events. Note that this is SCSI protocol dependent.
		SPI Reset Signal
Device Reset	Device Reset in ATA/ATAPI-4	ABORT TASK SET task management function
	ATAPI Soft Reset in SFF8020	CLEAR TASK SET task management function

4.1.4. Error reporting

If any of the conditions in Table 3 occur during the execution of a command, the target shall return CHECK CONDITION status. The appropriate sense key and additional sense code should be set. The following list illustrates some error conditions and the applicable sense keys. The list does not provide an exhaustive enumeration of all conditions that may cause the CHECK CONDITION status.

Table 3 - Sense key responses for error reporting

Condition	Sense Key
Invalid Logical Block Address	ILLEGAL REQUEST
Unsupported option requested	ILLEGAL REQUEST
Attempt to read a blank block	ILLEGAL REQUEST
Attempt to play a data block as audio	ILLEGAL REQUEST
Target reset or medium change since last command	UNIT ATTENTION
Self diagnostic failed	HARDWARE ERROR
Unrecovered read error	MEDIUM ERROR/HARDWARE ERROR
Recovered read error	RECOVERED ERROR
Overrun or other error that might be resolved by repeating the command	ABORTED COMMAND

In the case of an invalid logical block address, the sense data information field shall be set to the logical block address of the first invalid address.

In the case of an attempt to read a blank or previously unwritten block, the sense data information field shall be set to the logical block address of the first blank block encountered. The data read up to that block shall be transferred.

There are other special error situations for CD devices. In the following cases the sense key shall be set to ILLEGAL REQUEST and the additional sense code set to END OF USER AREA ENCOUNTERED ON THIS TRACK:

- a) a pre-gap area is encountered (i.e. a block with index equal to 0).
- b) a post-gap area is encountered.
- c) The information type (data vs. audio) changes.

When the command is other than an audio playback operation, the command shall be terminated with CHECK CONDITION status if the Logical Block Address requested is not within a data track. The sense key shall be set to

ILLEGAL REQUEST and the additional sense code set to ILLEGAL MODE FOR THIS TRACK. This applies to audio-combined and audio media.

4.1.5. Deferred Errors

Error code 70h indicates that the CHECK CONDITION status returned is the result of an error or exception condition on the I/O process that returned the CHECK CONDITION status. This includes errors generated during execution of the command by the actual execution process. It also includes errors not related to any command that are first observed during execution of a command. Examples of this latter type of error include disk servo mechanism, off track errors, and power-up test errors.

Error code 71h (deferred error) indicates that the CHECK CONDITION status returned is the result of an error or exception condition that occurred during execution of a previous command for which GOOD status has already been returned. Such commands are associated with use of the immediate bit, with some forms of caching, and with multiple command buffering. C/DVD Logical Units that implement these features are required to implement deferred error reporting.

The deferred error may be indicated by returning CHECK CONDITION status to the Host Computer as described below. The subsequent execution of a REQUEST SENSE command shall return the deferred error sense information.

If an I/O Command terminates with CHECK CONDITION status and the subsequent sense data returns a deferred error, that I/O command shall not have been executed. After the C/DVD Logical Unit detects a deferred error condition on a Logical Unit, it shall return a deferred error according to the rules described below:

1. If a deferred error can be recovered with no external system intervention, a deferred error indication shall not be posted unless required by the error handling parameters of the MODE SELECT command. The occurrence of the error may be logged if statistical or error logging is supported.
2. If a deferred error can be associated with a particular function or a particular subset of data, and the error is either unrecovered or required to be reported by the mode parameters, a deferred error indication shall be returned to the Host Computer.

Deferred errors may indicate that an operation was unsuccessful long after the command performing the data transfer returned GOOD status. If data that cannot be replicated or recovered from other sources is being stored using buffered write operations, synchronization commands should be performed before the critical data is destroyed in the host computer. This is necessary to be sure that recovery actions can be taken if deferred errors do occur in the storing of the data.

4.1.6. Time-out Model

ED NOTE: make this a feature set section---possible normative annex.

It is difficult for an operating system to determine a correct time-out value to use when issuing commands to a Logical Unit. Specifically, in instances of commands that may take a long time complete, but usually complete in a relatively short time. An example would be a read command after the Logical Unit has entered a low power state, and the media must spin up before completing the request. This model allows for a method for the Logical Unit to complete the request with an error that indicates to the host operating system that the request should be retried, but with a longer time-out.

The Logical Unit will specify two time-out parameters in the C/DVD Time-out & Protect Page. The first parameter is the minimum time-out that an operating system must use for all commands in Group 1. The second parameter is the mini-mum time-out that an operating system must use for all commands in Group 2.

For commands in Group 1, the Logical Unit shall start an internal timer when the command is received. If the command is unable to complete before the time specified in the Group 1 Time-out field C/DVD Time-out & Protect Page, bytes 6 and 7), the Logical Unit may terminate the command, at any time before the Group 1 Time-out expires, with a Check Condition (Sense Key 06, UNIT ATTENTION, ASC 2Eh, ASCQ 00 INSUFFICIENT TIME FOR OPERATION) Additionally, the Logical Unit shall set the COMMAND SPECIFIC INFORMATION sense bytes (BYTES 8-11) to the value in seconds that corresponds to the minimum time-out that the host should use when retrying this command. Upon receiving this Check Condition, the operating system shall retry the command with the requested time-out.

Note: a Logical Unit may return this check condition at any point after the command is received, it may even return prior to initiating command.

All commands in Group 2 are commands that may not be able to complete successfully if they are retried. Thus, the Host must ensure that it uses a time-out that is large enough to allow the command to complete under worst case scenarios. This time-out is specified by the Logical Unit in the Group 2 Time-out parameter of the C/DVD Time-out & Protect Page (Bytes 8-9).

For a complete list of command groupings see "Table 7 - Not Ready Error & Time-out Unit Attention Reporting (by Command)" on page 51.

4.1.7. Removable medium

A disc has an attribute of being mounted or de-mounted on a suitable transport mechanism. A disc is mounted when the C/DVD Logical Unit is capable of performing read operations to the medium. A mounted disc may not be accessible by a host if it is reserved by another Host. A disc is de-mounted at any other time (e.g. during loading, unloading, or storage).

A host may check whether a disc is mounted by issuing a TEST UNIT READY command. In addition there now exists the MEDIA STATUS NOTIFICATION feature. This allows the host to prevent the removal of any media, as well as sensing requests from the user to remove media.

The PREVENT ALLOW MEDIUM REMOVAL command allows a host to restrict the un-mounting of the disc. This is useful in maintaining system integrity. If the C/DVD Logical Unit implements cache memory, it must ensure that all logical blocks of the medium contain the most recent data prior to permitting un-mounting of the disc. If the Host issues a

START STOP UNIT command to eject the disc, and the is prevented from un-mounting by the PREVENT ALLOW MEDIUM REMOVAL command, the START STOP unit command is rejected by the C/DVD Logical Unit.

4.2. CD Device Model

CD devices permit reading data from a removable rotating media. Data transfer can begin with any of the consecutively numbered logical blocks. Some CD devices support a separate information stream (e.g. audio and/or video but referred to as audio in this clause) transmitted via a connection other than the attached physical interface. This standard defines commands for controlling these other information streams.

C/DVD drives are designed to work with any disc that meets IEC. Many new drives read C/DVD data discs, digital audio discs, and audio-combined discs (i.e. some tracks are audio, some tracks are data).

The writing of a CD-R/RW disc requires the Initiator read a set of parameters from the Logical Unit, selecting the parameters to be used, setting those parameters in the write parameters of the Logical Unit and then using the normal SCSI-3 Write Command. Once the write process has begun, data is streamed from the initiator to the Logical Unit.

4.2.1. CD media organization

The formats written on the CD and CD-DA (Digital Audio) media require special interfacing considerations.

Note: This sub-clause contains a number of terms that have special meanings peculiar to CD technology or that may be unfamiliar to many readers of this standard. The glossary, sub-clause 3.1., defines these terms.

Discs may contain either audio, data or a mixture of the two. Table 4 gives an example of a mixed mode disc to illustrate the relationship between the logical block addresses reported in SCSI and the MSF address encoded on the media.

NOTE: The term frame is used in two different ways in the CD media standard. The intended meaning can only be determined from the context. Whenever possible, this description replaces the larger data unit with the more familiar term sector. The primary exception to this policy is the use of frame when referring to the MSF address. In the MSF context, one frame (F field unit) equals one sector. On a typical two channel CD-DA media, each frame (F field unit) is played in 1/75th of a second.

The physical format defined by the CD media standards provides 2352 bytes per sector. For usual computer data applications, 2048 bytes are used for user data, 12 bytes for a synchronization field, 4 bytes for a sector address tag field and 288 bytes - the auxiliary field - for L-EC (CD data mode 1). In less critical applications, the auxiliary field may also be used for user data (CD data mode 2). The user data portion of a CD sector contains 2048, 2332, 2340, or 2352 bytes.

Table 4 - Example of Mixed Mode CD Disc Layout

Block Description	Logical Address (Decimal)	Track Relative logical address	Absolute M/S/F Address ¹	Track / Index	Track Relative M/S/F Address	Sector Contains Info or Pause	Mode Audio or Data	CD Data Mode ²
Lead-in Area	---	---	---	0/-	---	---	Audio	---
Pre-gap	---	---	00/00/00	1/0	00/02/00 ⁷	Pause	Data	Null
1st Track data	0000 ⁴	0	00/02/00 ⁵	1/1	00/00/00	Info	Data	L-EC
2nd track data	6000 ⁴	0	01/22/00 ⁵	2/1	00/00/00	Info	Data	L-EC
	7500	1500	01/42/00	2/2	00/20/00	Info	Data	L-EC
Post gap	9000	3000	02/02/00	2/3	00/40/00	Pause	Data	Null
Pause-silence	9150	-150 ⁶	02/04/00	3/0	00/02/00 ⁷	Pause	Audio	---
3rd track audio	9300 ⁸	0	02/04/00 ⁹	3/1	00/00/00	Info	Audio	---
	1400	2250	02/34/00	3/2	00/03/00	Info	Audio	---
4th track audio	21975 ⁸	0	04/53/00 ⁹	4/1	00/00/00	Info	Audio	---
Pre-gap part 1	30000	-225 ⁶	06/40/00	5/0	00/03/00 ⁷	Pause	Audio	---
Pre-gap part 2	300075	-150	06/41/00	5/0	00/02/00 ⁷	Pause	Data	Null
5th track data	30225	0	06/43/00	5/1	00/00/00	Info	Data	L-EC
Last Information	263999 ¹⁰	233 774	58/39/74	5/1	51/56/74	Info	Data	L-EC
Post-gap	---	233 775	58/40/00	5/2	51/57/00	Pause	Data	Null
Lead-out area	264000 ¹¹	0	58/42/00	AA/- ¹³	00/00/00	Pause	Audio	---

Notes:

1. Absolute MSF address repeated in the header field of data blocks.
2. The CD data mode is stored in the header of data tracks. This indicates that the block is part of a data pre-gap or post gap (null), that this is a data block using the auxiliary field for L-EC symbols (ECC-CD data mode one), or that this is a data block using the auxiliary field for user data (CD data mode 2.)
3. Table of Contents information is stored in the sub-channel of lead-in area. The lead-in area is coded as track zero. Track zero and the initial 150 sector pre-gap (or audio pause) are not accessible with logical addressing.
4. Exact value returned by READ TOC/PMA/ATIP Command.
5. Value stored in Table of Contents with zero tolerance.
6. Track relative logical addresses are negative in the pre-gap areas.
7. Track relative MSF value decreases to 0 in the pre-gap areas.
8. Value returned by READ TOC/PMA/ATIP Command plus or minus 75 blocks.
9. Value stored in Table of Contents plus or minus 75 sectors.
10. Minimum value returned by READ C/DVD RECORDED CAPACITY: exact value depends on encoding of this track and the lead-out track and whether this is derived from the TOC data.
11. Value returned by READ TOC/PMA/ATIP Command; exact if lead-out track is encoded as data, or plus or minus 75 blocks if encoded as audio.
12. Value stored in Table of Contents; exact if lead-out track is coded as data, or plus or minus 75 blocks if coded as audio.
13. Lead-out track number field is defined as AAh.

For data and mixed mode media (those conforming to ISO/IEC 10149), logical block address ZERO shall be assigned to the block at MSF address 00/02/00. For audio media (those conforming only to IEC 908), logical block address ZERO shall be assigned to the actual starting address of track 1. This may be approximated by using the starting address of track 1 contained in the table of contents (TOC) or by assigning logical block address ZERO to the block at MSF address 00/02/00.

Logical addressing of CD information may use any logical block length. When the specified logical block length is an exact divisor or integral multiple of the selected number of bytes per C/DVD sector, the device shall map (one to one) the bytes transferred from C/DVD sectors to the bytes of logical blocks. For instance, if 2048 bytes are transferred from each C/DVD sector, and the logical block length is 512 bytes, then each C/DVD sector shall map to exactly four logical blocks. This standard does not define the mapping of logical block lengths which do not evenly divide or are not exact multiples of the selected number of bytes per CD-ROM sector.

A track may be viewed as a partition of the CD address space. A CD media contains from one to ninety-nine tracks. All information sectors of a track are required to be of the same type (audio or data) and mode. Each change in the type of information on the disc requires a change in track number. A disc containing both audio and data would have at least two tracks, one for audio and one for data.

The tracks of a CD media are numbered consecutively with values between 1 and 99. However, the first information track may have a number greater than 1. Tracks have a minimum length of 300 sectors plus any transition area that is part of a track.

The CD media standards require transition areas between tracks encoded with different types of information. In addition, transition areas may be used at the beginning or end of any track. For audio tracks the transition areas are called pause areas. For data tracks, transition areas are called pre-gap and post-gap areas. See Table 1 for an example. The IEC 908 and ISO/IEC 10149 standards specify minimum time duration for these areas. Maximum time duration's are not specified.

Transition areas are formatted and the logical address continues to increment through transition areas. Some media (i.e. discs with only one track) may not have transition areas. The means to determine the location of the transition areas is vendor or application-specific and is addressed by other standards (e.g. ISO 9660).

C/DVD is a unique logical unit in the respect that some logical blocks on a disc may not be accessible by all commands. SEEK commands may be issued to any logical block address within the reported capacity of the disc. READ commands cannot be issued to logical blocks that occur in some transition areas. Audio commands cannot be issued to logical blocks within a data track.

CD media have lead-in and lead-out areas. These areas are outside of the user-accessible area as reported in the READ C/DVD RECORDED CAPACITY data. The lead-in area of the media is designated track zero. The lead-out area is designated track AAh. The Q sub-channel in the lead-in track contains a Table of Contents (TOC) of the disc.

NOTE: The READ C/DVD RECORDED CAPACITY command returns the logical block address of the last block prior to the lead-out area. This location may be in a transition area and therefore not a valid address for read operations.

The Table of Contents gives the absolute MSF location of the first information sector of each track. Control information (audio/data, method of audio encoding, etc.) for each track is also contained in the TOC. However, the TOC does not distinguish between the different modes of data tracks (i.e. CD data mode 1 vs. CD data mode 2).

The MSF locations pointing to the start of data tracks in the TOC are required to be accurate. However, the TOC values for audio tracks have a tolerance of plus or minus 75 sectors. Information from the TOC can be used to reply to a READ CD RECORDED CAPACITY command. When this is done, the device implementor should consider the possible tolerances and return a value that allows access to all information sectors.

An index is a partition of a track. Pre-gap areas are encoded with an index value of zero. Pause areas at the beginning of audio tracks are also encoded with an index value of zero. The first information sector of a track has an index value of one. Consecutive values up to 99 are permitted. Index information is not contained in the TOC. Not all sectors are encoded with the index value in the Q sub-channel data (the requirement is 9 out of 10). A sector without an index value is presumed to have the same index as the preceding sector.

Tracks and indexes are not defined to be any particular length, (except for a minimum track length of 300 sectors.) A CD disc may be created with a single information track that has a single index; or with 99 information tracks, each with 99 indexes.

The sub-channel information which is part of each sector includes a track relative MSF location value giving the distance from the first information sector of the track. On the media, this value decreases during the pre-gap area (sectors with index values of 0) and increases for the rest of the track. The data, returned by the READ SUB-CHANNEL command with MSF bit set to zero, converts this to a track relative logical block address (TRLBA). The TRLBA is

continually increasing over the whole track, and pre-gap areas shall return negative values. When the MSF bit in the read sub-channel command is set to one, the MSF track relative location value from the media is reported without change.

4.2.2. CD Physical Data Format

The physical format of CD-ROM and CD-DA media uses a smaller unit of synchronization than the more familiar magnetic or optical recording systems. The basic data stream synchronization unit is a small frame. This is not the same large frame (sector) as referred to in the MSF unit. Each small frame consists of 588 bits (see Figure 1). A sector on CD media consists of 98 small frames.

1 synchronization pattern (24 + 3 bits)	1 byte of sub-channel data (14 + 3 bits)	12 bytes of data (12 x (14 + 3) bits)	4 bytes of CIRC code (4 x (14 + 3) bits)	12 bytes of data (12 x (14 + 3) bits)	4 bytes of CIRC code (4 x (14 + 3) bits)
588 bits					

Figure 1 - Small Frame layout and definition

Data, sub-channel and CIRC bytes are encoded with an 8-bit to 14-bit code; then three merging bits are added. The merging bits are chosen to provide minimum low-frequency signal content and optimize phase lock loop performance.

4.2.3. Frame Format for Audio

Each small frame of an audio track on a two-channel CD-DA or CD-ROM media consists of six digitized 16-bit samples of each audio channel. These 24 bytes of data are combined with a synchronization pattern, CIRC bytes and a sub-channel byte to make a frame. Each frame takes approximately 136.05 μ s to play. This gives a sampling rate of 44.1 kHz for each channel. The sub-channel information creates the higher level sector grouping for audio tracks.

4.2.4. Sector Format for Data

The data bytes of 98 small frames comprise the physical unit of data referred to as a sector. See Figure 2. (98 small frames times 24 bytes per small frame equals 2352 bytes of data per sector.)

The physical format defined by the CD-ROM media standard provides 2352 bytes per sector. For usual computer data applications, 2048 bytes are used for user data, 12 bytes for a synchronization field, 4 bytes for a sector address tag field and 288 bytes - the auxiliary field - for L-EC (CD-ROM data mode 1). In less critical applications, the auxiliary field may also be used for user data (CD-ROM data Mode 2/Form 2).

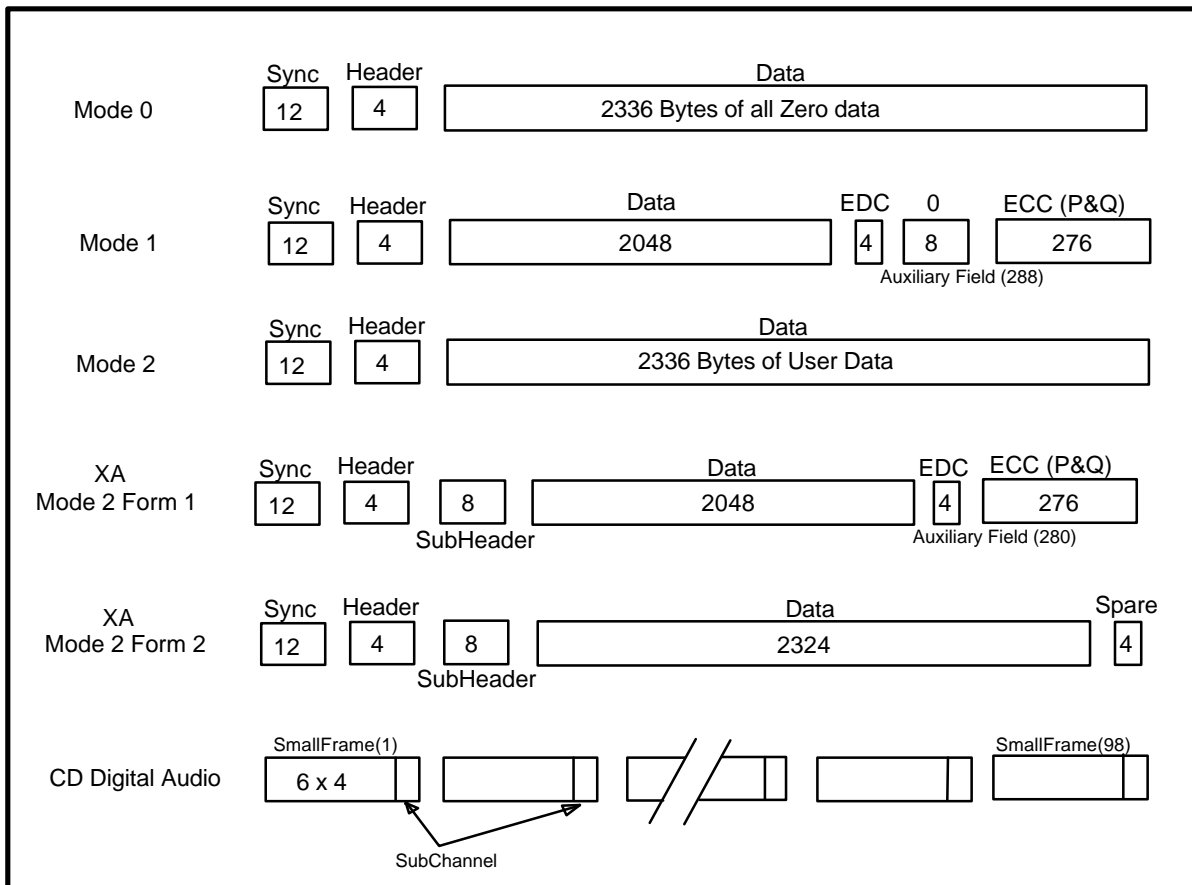


Figure 2 - CD-ROM Sector Formats

A CD physical sector size is 2048, 2052, 2056, 2324, 2336, 2340, or 2352 bytes per sector. These values correspond to the user data plus various configurations of header, sub-header and EDC/ECC.

NOTE: Many drives are capable of returning CD-ROM data Mode 1 data in a CD-ROM data Mode 2 format. This allows the user to investigate the error detection and error correction codes. However data encoded as CD-ROM data Mode 2 cannot be read as CD-ROM data Mode 1 data.

4.2.4.1. Multi Session Format

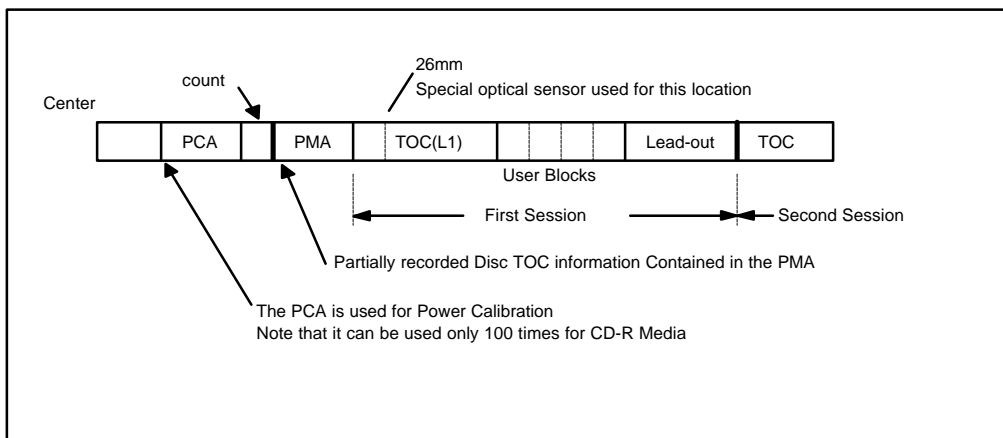


Figure 3 - CD-R/RW Disc Layout

4.2.5. Supported Block Sizes

Supported block sizes (see Table 5) include 2048, 2056, 2324, 2332, 2352, 2368, and 2448 bytes. Table 5 shows the implementation of the various block sizes. These definitions apply for reading with the Read commands.

Table 5 - Block Sizes for Read

Size	Readable block types
2048	Mode 1 or Mode 2 Form 1.
2332	Mode 2, form 1 or 2 data. The drive shall operate as specified for 2048 byte blocks except: Both forms send 2332 byte blocks. Form 1 blocks return the third layer ECC with the user data.
2336	Mode 2 data The drive shall operate as specified for 2048 byte blocks lengths. This mode will include all data, including Yellow Book Mode 2 sectors and Form 1 and Form 2.
2352	Audio or raw blocks. The drive shall operate as specified for 2048 byte blocks. Reads of data mode sectors shall return descrambled data.
2448 or 2368	Audio or raw blocks with raw sub-channel. The drive shall not perform the data descrambling operation.

4.2.6. Frame format for audio

Each small frame of an audio track on a two-channel CD-DA or CD-ROM media consists of six digitized 16-bit samples of each audio channel. These 24 bytes of data are combined with a synchronization pattern, CIRC bytes and a sub-channel byte to make a frame. Each frame takes approximately 136.05 μs (1/75th of a second) to play. This gives a sampling rate of 44.1 kHz for each channel. The sub-channel information creates the higher level sector grouping for audio tracks.

4.2.7. Q sub-channel information formats

Q sub-channel has a higher level of structure. All the Q sub-channel bits of a sector define the Q sub-channel information block. (For audio tracks, decoding the Q sub-channel is the only way to distinguish sector boundaries.)

The Control, ADR, DATA-Q, and CRC fields contain 96 bits of information defined in Figure 4.

Field name	Definitions
S0, S1	Sub-Channel Synchronization
CONTROL	The Control Field has 4 bits that define the type of information within a track: 00x0b = 2 audio channels without pre-emphasis 00x1b = 2 audio channels with pre-emphasis of 50/15 μ s 10x0b = audio channels without pre-emphasis (reserved in CD-R/RW) 10x1b = audio channels with pre-emphasis of 50/15 μ s (reserved in CD-R/RW) 01x0b = Data track, recorded uninterrupted 01x1b = Data track, recorded incremental 11xxb = reserved xx0xb = digital copy prohibited xx1xb = digital copy permitted The bits of the control field (except for the copy bit) can change during an actual pause (X=00) of at least 2 seconds and during the lead-in area only.
ADR	4 bits of control for DATA-Q.
DATA Q	72 bits of data
CRC	A 16 bit CRC for the Control, ADR, and DATA-Q Fields. On the disc the parity bits are inverted. The remainder has to be checked at zero. Polynomial = $P(X)=X^{16}+X^{12}+X^5+1$

Figure 4 - Q sub-channel Information Block

Three codes are defined for DATA-Q: MODE-1, MODE-2, and MODE-3.

4.2.7.1. Q sub-channel Mode-1

ADR = 1 (0001b)

Mode-1 occupies at least 9 out of 10 successive sub-coding blocks. Two different data formats are possible in Mode-1. The data format during the lead-in track is shown in Figure 5.

ADR	DATA-Q								
0001	TNO	POINT	MIN	SEC	FRAME	ZERO	PMIN	PSEC	PFRAME

Figure 5 - Q sub-channel Mode-1 Format recorded in lead-in

The format during the data and audio and lead-out tracks on a disc is shown in Figure 6.

ADR	DATA-Q								
0001	TNO	INDEX	MIN	SEC	FRAME	ZERO	AMIN	ASEC	AFRAME

Figure 6 - Q sub-channel Mode-1 Format recorded in Program Area and lead-out

TNO (Track number) on the media is expressed in 2 BCD digits.

00bcd	Lead-in. The end of the lead-in is at the starting diameter of the program area.
01 - 99bcd	Track numbers. A track can be preceded by a pause with the same track number. The track numbering once set, shall increment by one.
AAh	Lead-out . The lead-out starts at the end of the last track on a disc, without a preceding pause encoding.

The INDEX (Index to TNO) on the media is 2 BCD digits.

00bcd	Pause encoding.
01 - 99bcd	Sub-division numbers. During the lead-out track INDEX is 01. Within an audio track (TNO = 01 - 99 and X not equal to 00) the first value of INDEX is 01. The value of INDEX can only be incremented by one. In a data track it shall have a value of 01.

The ZERO field contains a value of ZERO. (00000000 b)

Min, Sec, Frame fields contain the running time within a track expressed in 6 BCD digits. Min, Sec, and Frame are each two digits. The time is set to zero at the start of a track. Time increases in the track and decreases in the pause/pregap, ending with the value zero at the end of the pause/pregap. In the lead-in and the lead-out tracks the time increases.

The minutes are stored in Min, the seconds in Sec. One second is subdivided into 75 Frames (running from 00 to 74).

AMIN, ASEC, AFRAME fields contain the absolute address expressed in 6 BCD digits. AMIN, ASEC, and AFRAME are each two digits. At the starting diameter of the program area the running time is set to zero and TNO takes the value of the first track on the disc.

The minutes are stored in AMIN, the seconds in ASEC. One second is subdivided into 75 AFRAMEs (running from 00 to 74).

Bytes in the Q-sub-channel that contains bcd contents may also contain illegal BCD values. Then values start with 0A0h and continue to 0FFh. No conversion of these to hex for transmission to/from the initiator is performed. Refer to Table 146 for more information.

The POINT, PMIN, PSEC, and PFRAME contain the Table of Contents during the lead-in. This Table of Contents is continuously repeated in the lead-in (TNO = 0). In each Table of Contents, the individual items are repeated three times. At the end of the lead-in, the Table of Contents can be ended with any value of point.

The value of PMIN, PSEC, and PFRAME gives the starting point of the track number pointed to by POINT. These values give the start position of the track on the absolute time scale (AMIN, ASEC, and AFRAME) with an accuracy of +/- one second. The start position of a track is the first position with the new track number and X not equal to 00.

If POINT = A0h, the value of PMIN gives the track number of the first piece of audio on the disc, PSEC and PFRAME are zero.

If POINT = A1h, the value of PMIN gives the track number of the last track on the disc, PSEC and PFRAME are zero.

If POINT = A2h, PMIN, PSEC, and PFRAME contains the starting point of the lead-out.

4.2.7.2. Q sub-channel Mode-2

ADR = 2(0010b)

If Mode-2 is present, and occupies at least 1 out of 100 successive sub-coding blocks. Mode-2 data format is shown in Figure 7 - Q sub-channel Mode-2 Format.

ADR	DATA-Q														
0010	N1	N2	N3	N4	N5	N6	N7	N8	N9	N10	N11	N12	N13	ZERO	AFRAME

Figure 7 - Q sub-channel Mode-2 Format

The DATA-Q field is 52 bits long and is defined as:

N1 - N13 is the Catalog number of the disc expressed in 13 BCD digits. Used in the UPC/EAN coding. The catalog number does not change on a disc. In case no catalog number is encoded according to the UPC/EAN code, N1 - N13 are all zero, or Mode-2 can be deleted from the disc.

The ZERO field contains 12 bits of zero. (000000000000b)

AFRAME is defined in Q sub-channel Mode-1 (two BCD digits running from 00 to 74). During the lead-in (TNO = 00), these 8 bits are zero.

4.2.7.3. Q sub-channel Mode-3

ADR = 3 = (0011b)

If Mode-3 is present, it occupies at least 1 out of 100 successive sub-coding blocks. Mode-3 is used to give a unique number to a audio track, This is done by means of the International Standard Recording Code (ISRC). The ISRC, as recorded on the media, is defined in **Error! Reference source not found.** If no ISRC is used, Mode-3 must be deleted. During the lead-in and lead-out, Mode-3 is not present on the disc. The ISRC can only change immediately after the track number (TNO) has been changed. The Mode-3 data format is shown in Figure 8.

ADR	DATA-Q															
0011	I1	I2	I3	I4	I5	0	0	I6	I7	I8	I9	I10	I11	I12	ZERO	AFRAME

Figure 8 - Q sub-channel, Mode-3 Format

I1 - I12 define the ISRC, and is 60 bits in length.

The Country-Code is given in fields I1 through I2, the owner-code in fields I3 - I5, The year of recording in fields I6 - I7 and the I8 through I12 contain the serial number of the recording. The characters I1 - I5 are formatted as shown in Table 6. The characters I6 - I12 are coded in 4 bit BCD numbers.

The ZERO field contains 4 bits of zero. (0000b)

AFRAME is defined in Q sub-channel Mode-1 (two BCD digits running from 00 to 74). During the lead-in area (TNO = 00), these 8 bits are zero.

The 6 bit character coding map is shown in Table 6.

Table 6 - ISRC 6 bit character codes (in hexadecimal)

CHAR	CODE	CHAR	CODE	CHAR	CODE
0	00	G	17	W	27
1	01	H	18	X	28
2	02	I	19	Y	29
3	03	J	1A	Z	2A
4	04	K	1B		
5	05	L	1C		
6	06	M	1D		
7	07	N	1E		
8	08	O	1F		
9	09	P	20		
A	11	Q	21		
B	12	R	22		
C	13	S	23		
D	14	T	24		
E	15	U	25		
F	16	V	26		

4.2.7.4. Q sub-channel Mode-5

ADR = 5 = (0101b)

4.2.8. CD Audio error reporting

PLAY commands with the immediate bit set in the audio control mode return status as soon as the command has been validated (which may involve a seek to the starting address). The playback operation continues and may complete without notification to the initiator. Error termination of audio operations shall be reported to the initiator by returning immediate CHECK CONDITION status to the next command (except for REQUEST SENSE and INQUIRY). The deferred error sense data (reference SCSI Block Commands standard) is used to indicate that the error is not due to the current command.

The status of the play operation may be determined by issuing a REQUEST SENSE command. The sense key is set to NO SENSE and the audio status (see Table 131) is reported in the additional sense code qualifier field.

4.2.9. CD ready condition/not ready condition

The ready condition occurs after a disc is inserted and the drive has performed its initialization tasks. These tasks may include reading the Table of Contents from the media. Table 7 defines the Not Ready Error reporting for each command. A not ready condition shall occur only for the following reasons:

- a) There is no medium mounted.
- b) The drive is unable to load or unload the medium.
- c) The drive is unable to recover the Table of Contents.
- d) The controller cannot select the drive.

Table 7 - Not Ready Error Reporting (by command)

Command Name	Operation Code	Return Ready Status	Time-out	Comment
BLANK	A1h	Yes	Group 2	Recordable only
CHANGE DEFINITION	40h	No	Not Allowed	SCSI only
CLOSE AREA/SESSION	5Eh	Yes	Group 2	Recordable only
COMPARE	39H	Yes		SCSI only
COPY	18h	Yes	Group 2	SCSI only
COPY AND VERIFY	3Ah	Yes	Group 2	SCSI only
FLUSH CACHE	36h	Yes		
FORMAT UNIT	04h	Yes	Group 2	Recordable only
GET EVENT/STATUS NOTIFICATION	4Ah	Yes	Not Allowed	
INQUIRY	12h	No	Not Allowed	
LOAD/UNLOAD CD	A6h	Yes	Group 1	
LOCK/UNLOCK CACHE	38h	No	Group 2	SCSI only
LOG SELECT/SENSE	4Ch,4Dh	No	Group 1	SCSI only
MECHANISM STATUS	BDh	Yes	Group 1	
MODE SELECT	55h, 15h	No	Group 1	
MODE SENSE	5Ah, 1Ah	No	Group 1	
PAUSE/RESUME	4Bh	Yes	Group 1	
PLAY AUDIO (10)	45h	Yes	Group 1	
PLAY AUDIO (12)	A5h	Yes	Group 1	
PLAY AUDIO MSF	47h	Yes	Group 1	
PLAY CD	BCh	Yes	Group 1	
PREFETCH	34h	Yes	Group 1	
PREVENT/ALLOW MEDIUM REMOVAL	1Eh	No	Group 1	
READ (10)	28h	Yes	Group 1	
READ (12)	A8h	Yes	Group 1	
READ BUFFER	3Ch	No	Group 1	SCSI only
READ C/DVD RECORDED CAPACITY	25h	No	Group 1	
READ CD	BEh	Yes	Group 1	
READ CD MSF	B9h	Yes	Group 1	
READ DISC INFORMATION	51h	Yes	Group 1	
READ DVD STRUCTURE	A0h	Yes	Group 1	
READ FORMATTED CAPACITY	23h	No	Group 1	
READ HEADER	44h	Yes	Group 1	
READ LONG	3Eh	Yes	Group 1	SCSI only
READ SUB-CHANNEL	42h	Yes	Group 1	

Table 6 (cont.) - Not Ready Error Reporting (by command)

Command Name	Operation Code	Return Ready Status	Time-out	Comment
READ TOC/PMA/ATIP	43h	Yes	Group 1	
READ TRACK INFORMATION	52h	Yes	Group 1	
RECEIVE DIAGNOSTIC RESULTS	1Ch	No	Not Allowed	SCSI only
RELEASE	17h, 57h	No	Special	SCSI only
REPORT KEY	AAh	Yes	Group 1	
REPORT LUNS	A0h	No	Group 1	SCSI only
REQUEST SENSE	03h	No	Not Allowed	
RESERVE	16h, 56h	No	Special	SCSI only
RESERVE TRACK	53h	Yes	Group 2	Recordable only
REZERO	01h	Yes	Group 1	SCSI only
SCAN	BAh	Yes	Group 1	
SEEK	2Bh	Yes	Group 1	
SEND DIAGNOSTICS	1Dh	No	Not Allowed	SCSI only
SEND KEY	A3H	Yes	Group 1	
SEND UPC INFORMATION	54h	No	Group 1	Recordable only
SET C/DVD SPEED	B8h, BBh	No	Group 1	SCSI only
SET READ AHEAD	A7h	Yes	Group 1	
START/STOP UNIT	1Bh	Yes	Group 1	
STOP PLAY/SCAN	4Eh	Yes	Group 1	
TEST UNIT READY	00h	Yes	Group 1	
VERIFY (12)	A2h	Yes	Group 1	
WRITE (10)	2Ah	Yes	Group 2	Recordable only
WRITE (12)		Yes	Group 2	Recordable only
WRITE AND VERIFY (12)	A7h	Yes	Group 2	Recordable only

NOTE: The references to SCSI only in the table are to indicate that these commands are currently only defined in the SCSI SPC, SBC and MMC standards. As these commands are not defined in this specification the usage and actual operation of these commands is specified elsewhere, their reference here are only recommendations to provide better compatibility.

For information on the Time-out groups see section "4.15 Time-out Model" on page 54.

4.2.10. Sensing support for CD-audio commands.

If any commands related to audio operations are implemented, then the PLAY AUDIO command shall be implemented to allow a method for the initiator to determine if audio operations are supported. A target responding to a PLAY AUDIO command which has a transfer length of zero, with CHECK CONDITION status, and setting the sense key to ILLEGAL REQUEST does not support audio play operations.

4.3. DVD Model

Like CD Logical Units/Media there are three types of DVD Logical Unit/Media, Read Only (DVD-ROM), Write only Once (DVD-R) and Write Multiple times (DVD-RAM). The capacity of each of these media may be different. In addition each of these media also have the possibility of multiple layers and single or double sides.

A DVD Logical Unit may be capable of reading CD-ROM, CD-R and possibly CD-R/RW media.

Support for DVD-ROM, DVD-R, and DVD-RAM is defined by a Feature Set.

4.3.1. DVD Media Organization

The DVD media is currently specified by the Physical section of DVD Book.

- DVD Media can contain information on one side (Single Sided) or on both sides (Double Sided).

- DVD-ROM disc has two types of layer structure, single layer and double layer.

- Each Layer on either side contains a spiral track. This track contains a Lead-in, Main area, an optional Middle Area and a Lead-out.

- double layer discs have two types of track path, parallel track path and opposite track path. In the case of the Parallel Track Path, there each layer is treated separately.

- The primary Logical Block size is 2048 bytes.

- One ECC-BLOCK, having 37856 bytes, contains 16 logical blocks, ECC, headers, and parity bytes.

- There is no TOC or Sub-channel data as defined for CD function.

- Addressing used is LBA (Logical Block Address) only.

- The smallest logical block size for READ & WRITE commands is 2048 Bytes.

4.3.2. Track Structure

There are two types of track path for double layer discs, either parallel or opposite. When the path is parallel each track is treated separately and has its own lead-in and lead-out.

ED NOTE: the concept of "tracks" in CD and DVD world are different and needs to be cleared up.

There are two addresses used in the DVD system, the Block address contained in the sector headers (Physical Sector Number), and the address used to reference the blocks from the host system (LBA). The address used from the host starts at Logical Block Address 0 and progresses up through the end of the recorded information on the disc. LBA 0 shall correspond with the sector address of 030000h on the DVD media. Only the User Area is addressable using an LBA address.

ED NOTE: change "Physical Sector Number" to "Physical Block Number."

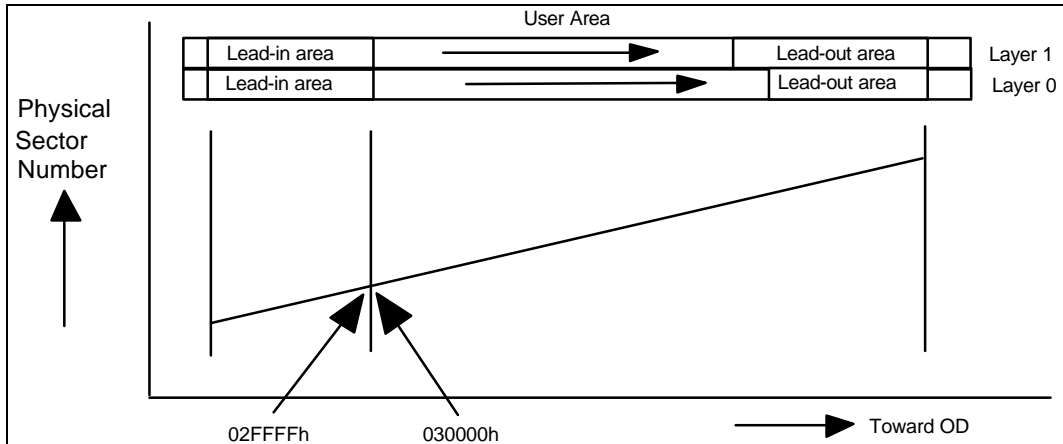


Figure 9 - Parallel Track Path Description

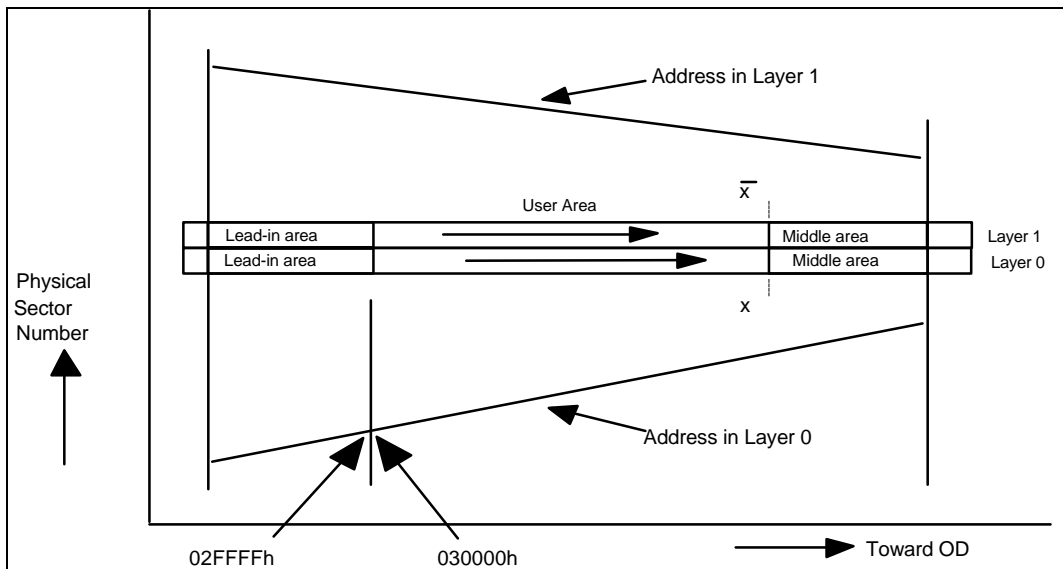


Figure 10 - Opposite Track Path Description

4.3.3. Header Layout

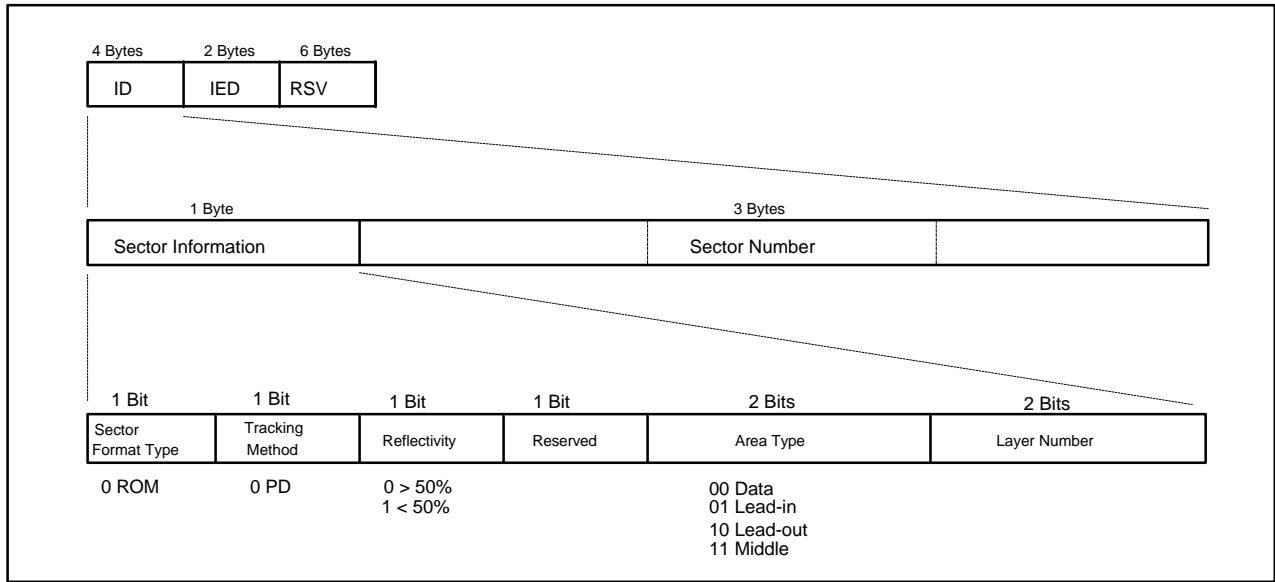


Figure 11 - Header Layout

4.3.4. Lead-in Contents

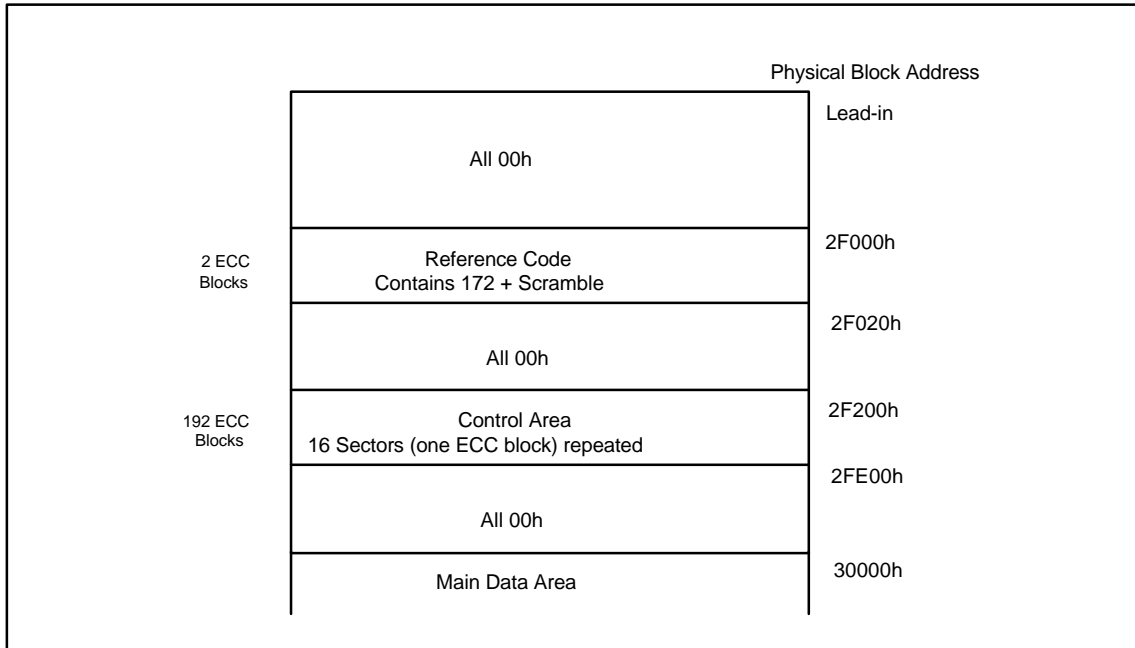


Figure 12 - Lead-in Contents

4.3.5. Sector Layout

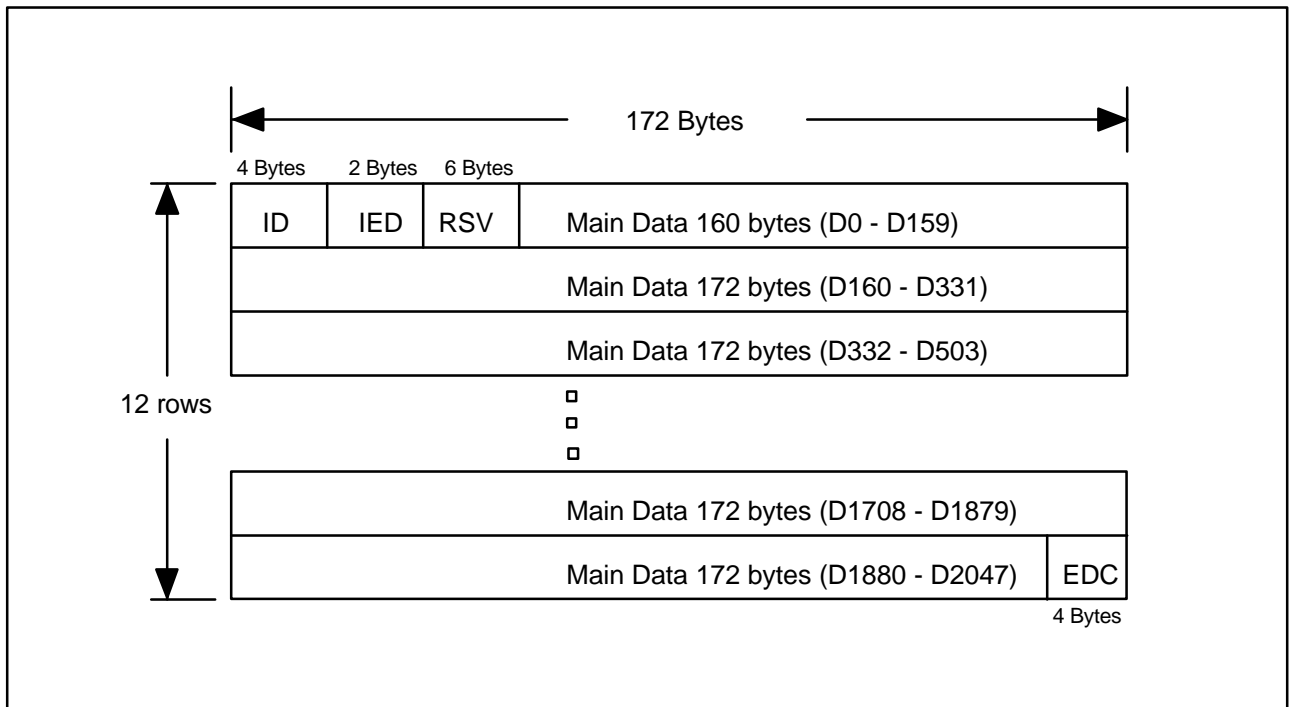


Figure 13 - Sector Layout

4.3.6. Control Area Data

Contains 192 ECC Blocks. Each of the ECC Blocks (16) Sectors contain one of three distinct type of data.

Table 8- Control Area Definition

Sector Number	Description
0	Physical Format Information
1	Disc Manufacturing Information
2	Copyright Information
:	
:	
14	
15	

4.3.7. Control Area Sector Descriptions

Table 9 - Physical Format Definition

Bit Byte	7	6	5	4	3	2	1	0
0	Book Type				Book Version			
1	Disc Size				Minimum Rate			
2	Reserved		Number of Layers		Track Path	Layer Type		
3	Linear Density				Track Density			
4	Recorded area allocation							
5								
:								
:								
14								
15								

Table 10 - Recorded Area Allocation Definition

Byte	Single Layer	Parallel Track Path	Opposite Track Path
4	00h	00h	00g
5	Starting sector number of main data (030000h)	Starting sector number of main data (030000h)	Starting sector number of main data (030000h)
6			
7			
8	00h	00h	00h
9	End sector of main data	End sector of main data	End sector of main data
10			
11			
12	00h	00h	00h
13	000000h	000000h	End sector number in Layer 0
14			
15			

4.3.8. DVD Ready Condition/Not Ready Condition

The ready condition occurs after a disc is inserted and the Logical Unit has performed its initialization tasks. These may include reading the lead-in information from the media. A check condition status will be returned for the not ready condition only for commands that require or imply a disc access.

A not ready condition may occur for the following reasons:

1. There is no disc mounted, See “Removable medium” on page 52.
2. The Logical Unit is unable to load or unload the disc.

The Logical Unit shall spin up and make the disc ready for media accesses when a new disc is detected. Any media access that occurs when the Logical Unit is not spinning shall spin the Logical Unit up and not generate an error.

4.3.9. DVD Copy Protection

Any read by the host to a sector with a Title Key present in the sector, when the Authentication Success Flag (ASF) is set to zero shall be terminated with a CHECK CONDITION.

For information on the authentication process, See “Device Key Exchange and Authentication State Diagram” on page 152. For more information on the Authentication Success Flag, See “Authentication Flag Sequence” on page 153.

4.4. Changer Model

The changer is a feature of a C/DVD device. It shall support two (2) additional commands, MECHANISM STATUS (BDh) and LOAD/UNLOAD CD (A6h).

A changer device provides a storage area for more than one CD Disc. This storage area contains multiple areas called slots. Each slot can contain just one disc. Once a disc has been placed into a given slot, it becomes locked in that position. This standard provides no capability to move a disc from one slot to another. Thus when a Disc has been moved from a given slot into the playing position, it can only be moved back into the slot that it came from. This shall be followed even if power is lost while a Disc is in the playing position or while it was being moved.

There are two basic types of changer mechanisms, one that has individually addressable eject and load capability and another that uses a cartridge to hold the discs. In the former, individual discs can be changed, while in the latter all the stored discs must be changed at one time.

Any time a disc or cartridge is removed or installed from the changer, the device shall generate an Unit Attention Condition. After the initiator detects the unit attention on a known changer device, the initiator may issue a MECHANISM STATUS Command. This will provide the initiator with information on what disc is present or was changed.

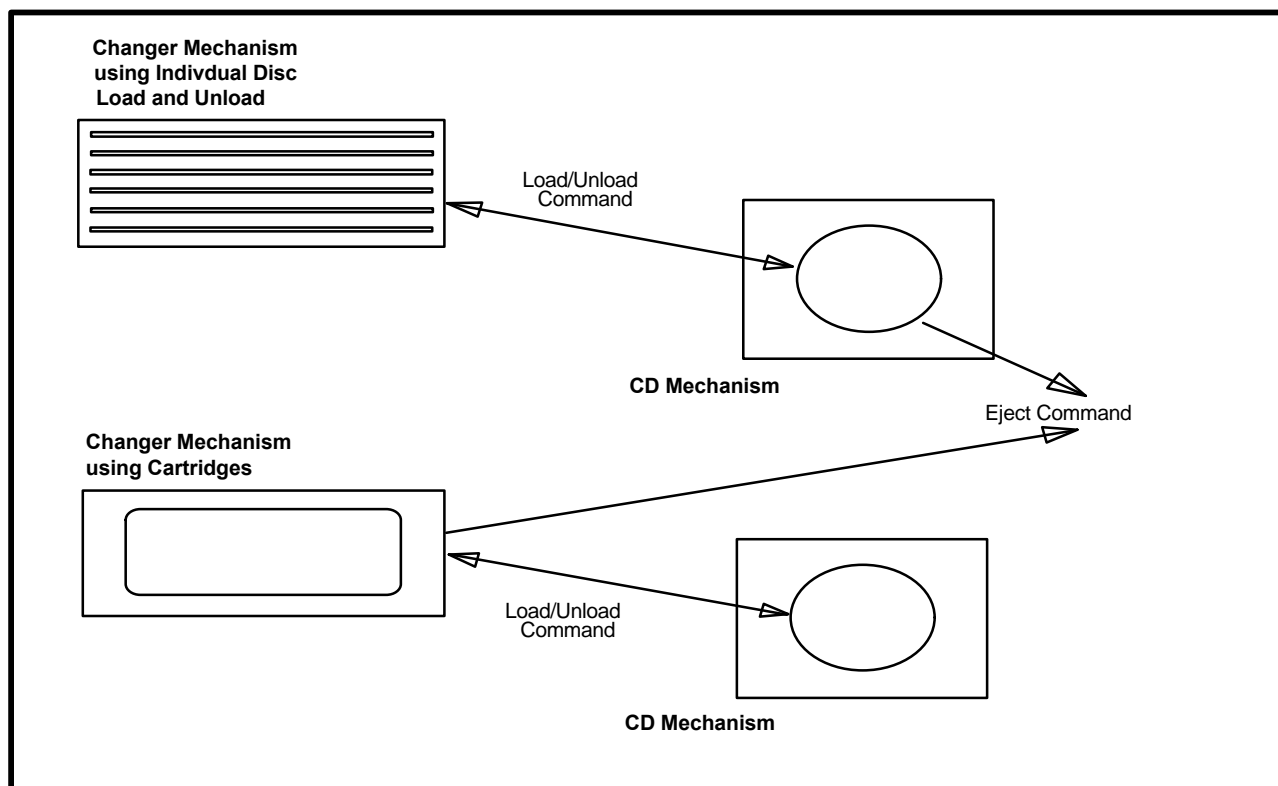


Figure 14 - Media Changer Mechanism Model

4.4.1. Side definition

As part of the DVD specifications, there is a type of media supported that includes data on more than one side of the Disc. This will allow devices that can automatically change sides to come into existence. Thus for C/DVD Devices, there is an optional capability to select each side of the Disc. Although this would not normally be thought of as a changer type of operation, the two sides to the Disc are independent and changer like functions are a good match for selecting sides. When the Logical Unit supports this functionality, each physical slot will have two logical slots. For example referencing slot 0 would be one side of the Disc, and slot 1 would then be the other side.

There are two fundamental techniques used to select each side of DVD media. The first is the most space efficient. It simply moved the Pick Up (laser unit used to read the disc) to the other side. This does add complexity to the laser

mechanism to be able to position it on either the bottom or top of the media. The second approach is to actually flip the media over. This type does not exist today, although it is possible. This type of Logical Unit will pose some problems making sure that the correct side is selected after a power on or hard reset condition. Some way to remember which side was selected when the power was removed would be needed.

For a Logical Unit that supports changing sides (see section 9.1.8.7, "C/DVD Capabilities and Mechanical Status Page", on page 126, "Side Change Capable"), the number of Slots reported shall be even, and every other slot shall be an alternating side.

4.4.1.1. Side Changing Only Logical Unit

There can exist a Logical Unit that is capable of changing the side of the Disc, but does not have separate Slots from the playing position. This type of Logical Unit reports that it has a Mechanism type that is not a changer, but also reports Side Change Capable. This style of Logical Unit will still make use of the LOAD/UNLOAD C/DVD command to change the currently selected side. This style Logical Unit shall report two slots available (see section Table 52 -, "Mechanism Status Header", on page 104).

A side effect of a Logical Unit that only has the capability to change sides is that when unloading a Disc does not actually perform any action. This will appear to the host as a Logical Unit with Delayed Load type of operation (See section 6.5, "Delayed Disc load operation", on page 70).

Note that a DVD Logical Unit that supports changing sides will not be able to report if there is actually data on both sides until each side has been read.

4.4.1.2. Attention Conditions for Sided Discs

Devices that support changing sides shall only report Unit Attention Conditions for changes that involve movement of a Disc in/out of the Logical Unit. Changes of side shall not generate Unit Attention Conditions.

4.4.1.3. Error Conditions for Sided Discs

Devices that support changing sides of a Disc shall use the NO REFERENCE POSITION FOUND, Sense Key 02h NOT READY, ASC/ASCQ 06/00 to report when the currently selected side does not contain valid data.

4.4.1.4. Initialization

The Changer shall perform its initialization routine at power on or receipt of a hardware reset from the initiator.

“Initializing Changer” is a process that refers to gathering the information that is necessary to respond to the MECHANISM STATUS Command. If a changer is in the process of initializing when it receives a MECHANISM STATUS Command, it will respond immediately and provide no slot table information (Only the Header).

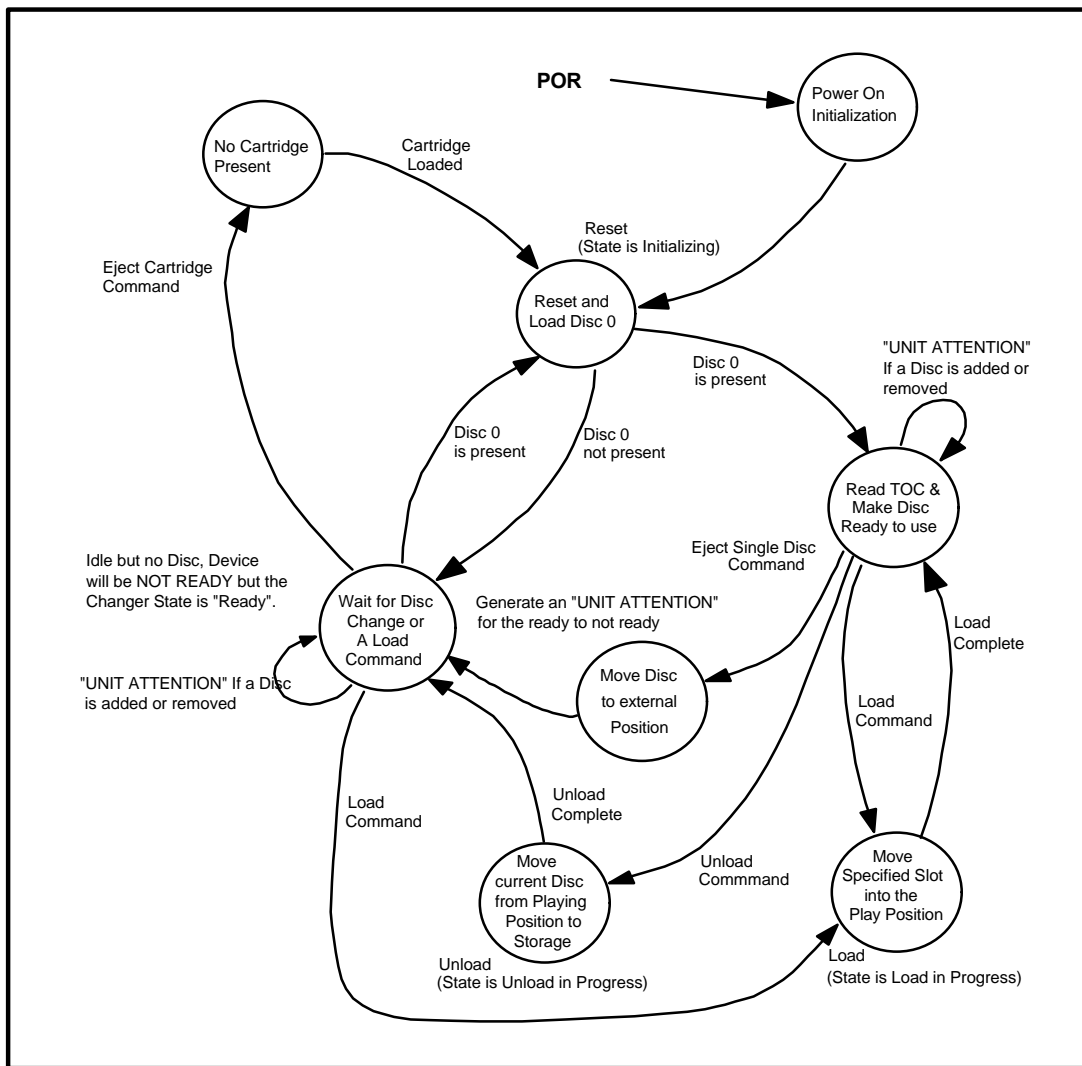


Figure 15 - Changer State Diagram

4.4.2. Changer Addressing

Several Changer specific commands use addresses called “Slots.”

If any commands related to Changer operations are implemented, then all the Changer commands shall be implemented. To determine if a drive is a changer type device, the Loading Mechanism Type field in the Capabilities page will contain one of the two changer type code (See **Table 230 - CD Capabilities** and Mechanical Status Page) for individual disc or cartridge implementations.

4.4.3. Automatic Load and Unload Operations

After initialization is complete the changer shall have Disc 0 loaded into the play position. This enables drivers which are not changer aware to work with a changer device as if it were a normal single CD device. This also ensures

compatibility with a Bootable CD. In support of this goal the changer shall also load and unload (Eject) default Disc 0 if the changer supports loading and unloading (Ejecting) individual Discs unless otherwise commanded by the use of one of the changer specific Load/Unload commands.

When a LOAD Command is received and a Disc is present in the Playing position, it shall be unloaded automatically before the specified Load operation is performed.

4.4.4. Delayed Disc load operation

CD Changer Devices may either move a disc into the playing position immediately upon receipt of a LOAD command, or delay the loading of the disc until a media access command is received. It is recommended that the device not load discs into the playing position until data from a disc that is not cached is requested from the initiator.

Note that Initiator drivers should expect to encounter load mechanism delays on media accesses in addition to the spin up and seek delays normally introduced with these commands.

If the device supports delayed loading and the selected disc is not in the play position, then the commands listed in Table 11 shall move the selected disc into the play position when data that has not been cached has been requested by the initiator:

Table 11 - Commands that may cause delayed loads to occur

Command
Play Audio (10)
Play Audio MSF
Play CD
Read (10)
Read (12)
Read CD
Read CD MSF
Read CD-ROM Capacity
Read Header
Read Sub-Channel
Read TOC
Scan

If the device supports delayed loading and the selected disc is not in the play position, then the following commands shall load the selected disc into the play position before execution of the command. (See Table 12)

Table 12 - Commands that will cause delayed loads to occur

Command
Seek
Start/Stop Unit (LoEj=1)

If the device supports delayed loading and the selected disc is not in the play position, then the following commands shall not move the selected disc into the play position. (See Table 13)

Table 13 - Commands that should not cause delayed loads to occur

Command
Stop Play/Scan
Start/Stop Unit (LoEj=0)
Test Unit Ready
Inquiry
Mechanism Status
Mode Select
Mode Sense
Prevent/Allow Medium Removal
Request Sense
Set CD Speed

4.4.5. Prevent / Allow processing

There are two techniques for Prevent / Allow: either all the discs shall be prevented from being ejected by the user or each disc individually shall be prevented. If the device reports support for Software Slot Selection, then each slot shall be individually controlled by the Prevent / Allow command. Note that changer devices that use a Cartridge and not individually controlled slots should not report the Software Slot Selection capability.

4.4.6. Error Reporting for Changers

If any of the following conditions occur during the execution of a command, the Changer shall return CHECK CONDITION status. The appropriate sense key and additional sense code shall be set. Table 14 below list some error conditions and the applicable sense keys. The list does not provide an exhaustive enumeration of all conditions that may cause the CHECK CONDITION status.

Table 14 - Error Conditions and Sense Keys for Changer Mechanisms

Condition	Sense Key
Invalid Slot Number	ILLEGAL REQUEST
Unsupported option requested	ILLEGAL REQUEST
Load or Unload to invalid slot or no Disc in source location	ILLEGAL REQUEST
CD-ROM Drive reset or medium change since last command	UNIT ATTENTION
Self diagnostic failed	HARDWARE ERROR

In the case of an invalid Slot number, the sense data information field shall be set to the Slot number of the first invalid address.

Attempts to eject a Disc if the changer type is cartridge and there is a Disc in the playing position shall be rejected with a Sense Key 05, (ILLEGAL REQUEST) Sense Code 01 (MECHANICAL POSITIONING OR CHANGER ERROR).

5. Features and Profiles

5.1. Introduction

A feature is a set of commands, mode parameters and behaviors that specify the capabilities of a logical unit and its associated medium - one or more features may be supported by a particular logical unit. In general, features associated with device capabilities are static while features associated with medium capabilities are dynamic. While features are optional, the commands and mode parameters specified by a feature are mandatory. If a particular feature is reported, the logical unit or its transport shall implement all of the commands and mode parameters of that feature.

Classification by features allows logical units to report and provide layers of functionality; it also allows applications to use logical units in a precise and consistent manner. For example to illustrate layered aspect, consider two CD-ROM logical units where one particular CD-ROM logical unit may be used as both a read only block device and as a CD-Audio player. These two capabilities are reported as two separate features. Another CD-ROM logical unit may only be capable of being used as a read only block device, and it would not report the feature that specifies CD-Audio support.

Classification by features also allows applications to use devices according to the requirements of the application. For example, a CD-ROM logical unit and a hard disk drive may both be used by the same read only block device feature - the application does not need to use other features supported by the CD-ROM logical unit if the application does not them.

Another important characteristic of classification by features is its dynamic nature; a device that is capable of reading both DVD-ROM and CD-ROM medium reports different features according to whether a DVD-ROM or CD-ROM medium is loaded.

A profile is a set of features that specifies the behavior of a device class over a transport. Classification by profiles provides a means to:

1. assign the implementation of a feature (or part of a feature) between a logical unit and its transport
2. limit command fields and mode parameters based upon the capabilities of a transport
3. extend command fields and mode parameters
4. require additional commands and mode parameters as mandatory

In addition to the transport aspect, a profile enables an application: to load and initialize the appropriate modules that support the logical unit, to provide iconic representation of the logical unit, and to determine the default file system of the logical unit and its medium.

5.2. Feature Definitions

Features shall be identified by a feature code, see Table 15 The maximum number of feature sets is 65,536 and the feature code value of 0 is reserved.

Table 15 - Features

Feature Code	Feature
0	Profile List
1	Core Device
2	Microcode Upgrade
3	Random Readable Block Device
4	Random Writable Block Device
5	Format Feature
6	Power Management
7	S.M.A.R.T.
8	Event Notification
9	Embedded Changer
10	Removable Medium
11	CD-Audio Analog Output
12	CD-Audio Digital Output
13	CD READ
14	C/DVD - R
15	RESTRICTED OVERWRITE
16	DVD-READ
17	RANDOM WRITABLE
18	DVD-Video Feature

5.2.1. Core Device Feature

All logical units that conform to this specification shall implement the commands specified in "Table 16".

Table 16 - Core Device Commands

Op Code	Command Description	Clause
12h	INQUIRY	
	GET EVENT STATUS NOTIFICATION	
55h	MODE SELECT (10)	
5Ah	MODE SENSE (10)	
	PREVENT/ALLOW	
??h	REPORT CONFIGURATION	
03h	REQUEST SENSE	
00h	TEST UNIT READY	

Note: Report configuration needs an op code.

5.2.2. Microcode Upgrade Feature

Logical units that support microcode upgrades shall implement the command specified in “Table 17”.

Table 17 - Microcode Upgrade Command

Op Code	Command Description	Clause
3Bh	WRITE BUFFER and Mode 101b (Download microcode and save)	

5.2.3. Random Readable Block Device Feature

Logical units that may be used as a random readable block device shall implement the commands specified in “Table 18”.

Table 18 - Random Readable Block Device Commands

Op Code	Command Description	Clause
28h	READ (10)	
35h	SYNCHRONIZE CACHE	

5.2.4. Random Writable Block Device Feature

Logical units that may be used as a random writable block device shall implement the commands as specified in “Table 19”.

Table 19 - Random Writable Block Device Commands

Op Code	Command Description	Clause
2Ah	WRITE (10)	
2Eh	WRITE AND VERIFY (10)	

5.2.5. FORMAT Feature

Logical units that use medium that may be formatted shall the commands specified in “Table 20”.

Table 20 - FORMAT Feature

Op Code	Command Description	Clause
04h	FORMAT UNIT	
23h	READ FORMATED CAPACITY	
2Fh	VERIFY	

5.2.6. Power Management Feature

Logical units that support power management shall implement the commands specified in “Table 21” and the mode parameters specified in “Table 22”.

Table 21 - Power Management Commands

Op Code	Command Description	Clause
4Ah	GET EVENT STATUS NOTIFICATION	
1Bh	START/STOP UNIT and the Power Conditions field	

Table 22 - Power Management Mode Parameters

Page Code	Page Description	Clause
1Ah	Power Condition	

5.2.7. S.M.A.R.T. Feature

The S.M.A.R.T. (Self-Monitoring, Analysis and Reporting Technology) is a technology developed to manage the reliability of data storage Logical Units. S.M.A.R.T.-capable PC systems have the goal of enhancing system reliability by warning users of some pending Logical Unit or media failures. With sufficient warning, users may have the opportunity to back up vital data and replace suspect Logical Units prior to data loss or unscheduled down time. S.M.A.R.T. capability is a key new element in the PC architecture that will one day provide new levels of data integrity and data availability.

Peripheral data storage Logical Units are complex electromechanical Logical Units and, as such, can suffer performance degradation or failure due to a single event or a combination of events. Some events are immediate and catastrophic while others cause a gradual degradation of the Logical Unit’s ability to perform. It is possible to predict a portion of the failures, but S.M.A.R.T. cannot and will not predict all future Logical Unit failures. S.M.A.R.T. should be treated as a feature to assist the computer user in preventing some but not all system down time due to Logical Unit failure.

S.M.A.R.T. capable Logical Units monitor a wealth of information internal to the Logical Unit to assess reliability and predict an impending Logical Unit or medium failure. This information is, in some cases, available through the interface and can be presented to end-users via drivers and supporting applications. This data should not be presented to or interpreted by system users or managers to predict the integrity or reliability of a S.M.A.R.T. Logical Unit. The predictive algorithms in a S.M.A.R.T. Logical Unit are designed to interpret internal conditions in order to detect impending failures and thus users or system managers should not attempt to predict impending Logical Unit failure from this internal data.

S.M.A.R.T. data are not linear predictors of the degrading reliability of a S.M.A.R.T. capable Logical Unit. It is the responsibility of a S.M.A.R.T. Logical Unit to predict an impending failure and report that failure via an Informational Exception Condition.

Logical units that support Self Monitoring Analysis and Reporting shall support the mode pages specified in “Table 23”.

Table 23 - S.M.A.R.T. Mode Parameters

Page Code	Page Description	Clause
1Dh	Fault/Failure Reporting	

5.2.8. Event Notification Feature

The Event Notification feature provides a means for an initiator to receive notification of events that are beyond the control of an initiator.

A logical unit that implements Event Notification shall support the commands specified in "Table 24".

Table 24 - Event Notification Commands

Op Code	Command Description	Clause
4Ah	GET EVENT STATUS NOTIFICATION (GESN)	

In the Polling Mode of Event Notification, an initiator shall repeatedly issue GESN commands with an immediate bit of 1. The logical unit shall complete these commands upon receipt, supplying the initiator with information on the most recent event occurrences, as described in the GESN command. If an event occurrence of the class(es) requested is not in the logical unit event queue, the Logical Unit shall complete the GESN command, and shall set the NEA bit to 1. This shall not be deemed an error.

If command queuing is supported, the host may issue a GESN command with an immediate bit of 0. The command shall not complete until an event occurrence of the class(es) requested is either in the event queue, or occurs.

The logical unit shall maintain a separate queue for each class of Event Notification(s) supported. Events that are generated shall be placed at the tail of the event queue. The depth of the queue(s) is vendor specific, although it shall be at least one. If an overflow occurs, the logical unit shall maintain the most recent Events in the queue.

Each GESN command shall report only one event. If multiple Event Classes are requested and multiple events are available, the logical unit shall report the Event in the Event Class with the lowest Notification Class ordinal.

5.2.9. Embedded Changer Feature

Logical units that support an embedded changer shall implement the commands specified in "Table 25".

Table 25 - Embedded Changer Command

Op Code	Command Description	Clause
A6h	LOAD/UNLOAD MEDIUM	
BDh	MECHANISM STATUS	

5.2.10. Removable Medium Feature

A major shortcoming of removable media Logical Units on PC platforms is their inability to report to the host when the user attempts to eject the medium. Currently most removable media Logical Units just eject the medium when the user presses the Eject button, and potentially any data the operating system has not saved to the Logical Unit is lost. Various volume tracking and locking schemes reduce this risk, but do not eliminate it. Using this feature, Logical Units will have a means of communicating to the host that the user wants to eject the medium or has inserted a new medium.

A logical unit that implements the Removable Medium Feature shall support the commands as specified in "Table 26".

Table 26 - Removable Medium Commands

Op Code	Command Description	Clause
4Ah	GET EVENT STATUS NOTIFICATION	
BDh	MECHANISM STATUS	
1Eh	PREVENT/ALLOW	
25h	READ CAPACITY	
1Bh	START/STOP UNIT and load eject (LOEJ) bit	

This section defines a protocol for providing this functionality for removable media Logical Units. The support is enabled using the PREVENT/ALLOW command (Persistent Bit), and the media status is retrieved using the GET EVENT STATUS NOTIFICATION command.

When the Persistent Prevent state is entered, the media shall remain locked in the Logical Unit, until the host issues an eject request, or a power on or hard reset condition occurs. The Persistent Prevent state shall be maintained after the eject request. New media that is inserted into the Logical Unit shall be locked in the Logical Unit after the logical unit reports the NEW MEDIA event. Prior to reporting the NEW MEDIA event, the logical unit may eject media without an explicit eject command from the host. This allows the user to remove incorrectly inserted media without having to wait for host intervention.

While in the Persistent prevent state, the logical unit shall generate Events upon receipt of a User Eject request. The logical unit shall not eject the media on receipt of these requests, if the logical unit has already reported a NEW MEDIA event for this media. When the host receives the Eject Request, and determines that it is safe to eject the medium, an eject command will be issued, at which time the logical unit shall eject the medium.

The logical unit shall only generate MSEN (EJECT REQUEST) events after reporting a MSEN (NEW MEDIA) event, and prior to reporting a MSEN (MEDIA REMOVAL) event for the given media.

To maintain compatibility with existing BIOS implementations and operating systems, the logical unit shall default to Persistent Prevent disabled. When the host enables the support using the PREVENT ALLOW command, the logical unit shall respond as described in this specification. When the host disables this feature, the logical unit must default to normal operating modes. A power on or hard reset shall cause the logical unit to the default Persistent Prevent state.

If the Logical Unit is unable to maintain media status information across a reset or power cycle, the Logical Unit shall generate a NEW MEDIA event.

Commands must be processed exactly the same as they would be if Persistent Prevent was not enabled. For compatibility reasons, UNIT ATTENTION status conditions must still be returned. However, the logical unit shall not return the UNIT ATTENTION status on a GESN command. For example, if the user inserts a new medium and the logical unit is accessed with a command, the CHECK CONDITION with UNIT ATTENTION shall be reported, but the logical unit shall also report the NEW MEDIA Event with the next available GESN (Media Status) command.

If a changer type Logical Unit uses media status operation, it shall use the following variations. If the changer Logical Unit supports individual slot load and unload capability, the slot number(s) exhibiting the media status change shall be

reported in the slot fields of the Media Status Event Data. If the changer Logical Unit uses a cartridge load mechanism, the slot fields shall be set to the start and end slot numbers present in the cartridge.

For non-immediate GESN commands, the host shall use exactly one GET EVENT STATUS NOTIFICATION request for the entire changer Logical Unit. The Logical Unit shall respond as indicated in the Asynchronous Operation section above, indicating the slot information in the Request Sense Data as described above.

5.2.11. CD-Audio Analog Output Feature

Logical units that have a CD-Audio analog output shall support the commands specified by "Table 27" and the mode pages specified in "Table 28".

A logical unit without a CD-Audio output shall respond to a PLAY AUDIO command, which has a transfer length of zero, with CHECK CONDITION status, and set the sense key to ILLEGAL REQUEST. This behavior allows an initiator determine if a CD-Audio analog output is supported.

Table 27 - CD-Audio Analog Output Commands

OpCode	Command Description	Clause
BDh	MECHANISM STATUS	
4Bh	PAUSE/RESUME	
45h	PLAY AUDIO (10)	
47h	PLAY AUDIO MSF	
42h	READ SUBCHANNEL	
4Eh	STOP PLAY/SCAN	

Table 28 - CD-Audio Analog Output Mode Pages

Page Code	Page Description	Clause
0Eh	CD Audio Control Mode Page	

5.2.12. CD-Audio Digital Output Feature

Logical units that have a CD-Audio digital output, shall support the commands specified by "Table 29" and mode pages specified by "Table 30".

Table 29 - CD-Audio Digital Output Commands

OpCode	Command Description	Clause
BDh	MECHANISM STATUS	
4Bh	PAUSE/RESUME	
45h	PLAY AUDIO (10)	
47h	PLAY AUDIO MSF	
4Eh	PLAY CD	
42h	READ SUBCHANNEL	
4Eh	STOP PLAY/SCAN	

Table 30 - CD-Audio Digital Output Mode Pages

Clause	Page Description	Clause
0Eh	CD Audio Control Mode Page	

5.2.13. CD READ Feature

Logical units that read CDR media shall support the commands specified in “Table 31”.

Table 31 - CD READ Commands

Op Code	Command Description	Clause
BEh	READ CD	
51h	READ DISC INFORMATION	
43h	READ TOC/PMA/ATIP	
52h	READ TRACK INFORMATION	

5.2.14. C/DVD-R Feature

Logical units that write and read CDR media shall support the commands specified in “Table 32”.

Table 32 - C/DVD-R Commands

Op Code	Command Description	Clause
5Bh	CLOSE TRACK/SESSION	
53h	RESERVE TRACK	

5.2.15. RESTRICTED OVERWRITE Feature

Logical units that write and read CDRW media shall support the commands specified in “Table 33”.

Table 33 - RESTRICTED OVERWRITE Feature

Op Code	Command Description	Clause
	WRITE	
A1h	BLANK	

ADD PARAMETER PAGES

5.2.16. DVD READ Feature

Logical units that read CDR media shall support the commands specified in “Table 34”.

Table 34 - DVD READ Commands

Op Code	Command Description	Clause
51h	READ DISC INFORMATION	
ADh	READ DVD STRUCTURE	
52h	READ TRACK INFORMATION	

5.2.17. RANDOM WRITABLE Feature

Logical units that write and read DVD-RAM media shall support the commands specified in "Table 35".

Table 35 - RANDOM WRITABLE Feature Commands

Op Code	Command Description	Clause

5.2.18. DVD-CSS Feature

Logical units that support DVD-Video CSS (Content Scramble System) shall implement the commands specified by "Table 36".

Table 36 - DVD-CSS Feature Commands

Opcode	Command Description	Clause
A2h	REPORT KEY	
A3h	SEND KEY	
A7h	SET READ AHEAD	

5.2.19. AV Streaming**5.2.20. User input feature**

5.3. Profile Definitions

5.3.1. Disk Drive Profiles

5.3.1.1. 1394 Simple Hard Disk Drive Profile

Logical units that support the 1394 Simple Hard Disk Drive Profile shall implement the features shown in “Table 37”.

Table 37 - 1394 Simple Hard Disk Drive Profile

Command/Profile/Feature	Extensions and Limitations	Type	Clause
Core Device	INQUIRY and REQUEST SENSE shall be supported by SBP-2 transport; MODE SENSE/MODE SELECT block descriptors shall not be supported	M	5.2.1.
Random Readable Block Device	Mode Page 3Eh shall be supported	M	5.2.3.
Random Writable Block Device	FUA field shall be supported in WRITE(10);	M	5.2.4.
Power Management	load eject (LOEJ) bit of START/STOP UNIT shall not be supported	M	5.2.6.
Event Notification	Asynchronous mode of GET EVENT STATUS NOTIFICATION shall be supported by SBP-2 transport	M	5.2.8.

Table 38 - Power Management Mode Parameters

Page Code	Page Description	Clause
1Ah	Power Condition	

5.3.1.2. 1394 Removable Medium Disk Drive Profile

Logical units that support the 1394 Simple Hard Disk Drive Profile shall implement the features shown in Table 39

Table 39 - 1394 Removable Medium Disk Drive Profile

Command/Profile/Feature	Extensions and Limitations	Type	Clause
Core Device	INQUIRY and REQUEST SENSE shall be supported by SBP-2 transport; MODE SENSE/MODE SELECT block descriptors shall not be supported	M	5.2.1.
Random Readable Block Device		M	5.2.3.
Random Writable Block Device	FUA field shall be supported in WRITE(10);	M	5.2.4.
Format		M	5.2.5.
Power Management		M	5.2.6.
Event Notification	Asynchronous mode of GET EVENT STATUS NOTIFICATION shall be supported by SBP-2 transport	M	5.2.8.
Removable Medium		M	5.2.10.

5.3.2. CDROM Profiles

5.3.2.1. 1394 CDROM Profile

Logical units that support the 1394 CDROM Profile shall implement the features shown in “Table 40”.

Table 40 - 1394 CDROM Profile

Command/Profile/Feature	Extensions and Limitations	Type	Clause
Core Device	INQUIRY and REQUEST SENSE shall be supported by SBP-2 transport; MODE SENSE/MODE SELECT block descriptors shall not be supported	M	5.2.1.
Random Readable Block Device		M	5.2.3.
Power Management		M	5.2.6.
Event Notification	Asynchronous mode of GET EVENT STATUS NOTIFICATION shall be supported by SBP-2 transport	M	5.2.8.
Removable Medium		M	5.2.10.
CD READ		M	5.2.13.

5.3.2.2. ATAPI CDROM Profile

Logical units that support the ATAPI CDROM Profile shall implement the features shown in “Table 41”.

Table 41 - ATAPI CDROM Profile

Command/Profile/Feature	Extensions and Limitations	Type	Clause
Core Device	MODE SENSE/MODE SELECT block descriptors shall not be supported	M	5.2.1.
Random Readable Block Device		M	5.2.3.
Removable Medium		M	5.2.10.
CD READ		M	5.2.13.

5.3.2.3. SCSI CDROM Profile

Logical units that support the ATAPI CDROM Profile shall implement the features shown in “Table 42”.

Table 42 - SCSI CDROM Profile

Command/Profile/Feature	Extensions and Limitations	Type	Clause
Core Device		M	5.2.1.
Random Readable Block Device		M	5.2.3.
Removable Medium		M	5.2.10.
CD READ		M	5.2.16.

5.3.3. CDR Profiles

5.3.3.1. 1394 CDR Profile

Logical units that support the 1394 CDR Profile shall implement the features shown in “Table 43”.

Table 43 - 1394 CDR Profile

Profile/Feature/Command	Extensions and Limitations	Type	Clause
Core Device	INQUIRY and REQUEST SENSE shall be supported by SBP-2 transport; MODE SENSE/MODE SELECT block descriptors shall not be supported	M	5.2.1.
Random Readable Block Device		M	5.2.3.
Power Management		M	5.2.6.
Event Notification	Asynchronous mode of GET EVENT STATUS NOTIFICATION shall be supported by SBP-2 transport	M	5.2.8.
Removable Medium		M	5.2.10.
C/DVD- R		M	5.2.14.

5.3.3.2. ATAPI CDR Profile

Logical units that support the ATAPI CDR Profile shall implement the features shown in “Table 44”.

Table 44 - ATAPI CDR Profile

Profile/Feature/Command	Extensions and Limitations	Type	Clause
Core Device	MODE SENSE/MODE SELECT block descriptors shall not be supported	M	5.2.1.
Random Readable Block Device		M	5.2.3.
Removable Medium		M	5.2.10.
CD READ		M	5.2.13.
C/DVD - R		M	5.2.14.

5.3.3.3. SCSI CDR Profile

Logical units that support the SCSI CDR Profile shall implement the features shown in “Table 45”.

Table 45 - SCSI CDR Profile

Profile/Feature/Command	Extensions and Limitations	Type	Clause
Core Device		M	5.2.1.
Random Readable Block Device		M	5.2.3.
Removable Medium		M	5.2.10.
CD READ		M	5.2.16.
C/DVD - R		M	5.2.14.

5.3.4. CDRW Profiles

5.3.4.1. 1394 CDRW Profile

Logical units that support the 1394 CDRW Profile shall implement the features shown in “Table 46”.

Table 46 - 1394 CDRW Profile

Command/Profile/Feature	Extensions and Limitations	Type	Clause
Core Device	INQUIRY and REQUEST SENSE shall be supported by SBP-2 transport; MODE SENSE/MODE SELECT block descriptors shall not be supported	M	5.2.1.
Random Readable Block Device		M	5.2.3.
Power Management		M	5.2.6.
Event Notification	Asynchronous mode of GET EVENT STATUS NOTIFICATION shall be supported by SBP-2 transport	M	5.2.8.
Removable Medium		M	5.2.10.
CD READ		M	5.2.13.
C/DVD- R		M	5.2.14.
RESTRICTED OVERWRITE		M	5.2.15.

5.3.4.2. ATAPI CDRW Profile

Logical units that support the ATAPI CDRW Profile shall implement the features shown in “”.

5.3.4.3. SCSI CDRW Profile

Logical units that support the ATAPI CDRW Profile shall implement the features shown in “”.

5.3.5. DVD-ROM Profiles

5.3.5.1. 1394 DVD-ROM Profile

Logical units that support the 1394 DVD-ROM Profile shall implement the features shown in “Table 47”.

Table 47 - 1394 DVD-ROM Profile

Command/Profile/Feature	Extensions and Limitations	Type	Clause
Core Device	INQUIRY and REQUEST SENSE shall be supported by SBP-2 transport; MODE SENSE/MODE SELECT block descriptors shall not be supported	M	5.2.1.
Random Readable Block Device		M	5.2.3.
Power Management		M	5.2.6.
Event Notification	Asynchronous mode of GET EVENT STATUS NOTIFICATION shall be supported by SBP-2 transport	M	5.2.8.
Removable Medium		M	5.2.10.
DVD-ROM		M	5.2.16.

5.3.5.2. ATAPI DVD-ROM Profile

Logical units that support the ATAPI DVD-ROM Profile shall implement the features shown in “Table 48”.

Table 48 - ATAPI DVD-ROM Profile

Command/Profile/Feature	Extensions and Limitations	Type	Clause
Core Device	MODE SENSE/MODE SELECT block descriptors shall not be supported	M	5.2.1.
Random Readable Block Device		M	5.2.3.
Power Management		M	5.2.6.
Event Notification		M	5.2.8.
Removable Medium		M	5.2.10.
DVD-ROM		M	5.2.16.

5.3.5.3. SCSI DVD-ROM Profile

Logical units that support the SCSI DVD-ROM Profile shall implement the features shown in “Table 49”.

Table 49 - SCSI DVD-ROM Profile

Command/Profile/Feature	Extensions and Limitations	Type	Clause
Core Device		M	5.2.1.
Random Readable Block Device		M	5.2.3.
Power Management		M	5.2.6.
Event Notification		M	5.2.8.
Removable Medium		M	5.2.10.
DVD-ROM		M	5.2.13.

5.3.6. DVD-R Profiles

5.3.6.1. 1394 DVD-R Profile

Logical units that support the 1394 DVD-R Profile shall implement the features shown in “”.

5.3.6.2. ATAPI DVD-R Profile

Logical units that support the ATAPI DVD-R Profile shall implement the features shown in “”.

5.3.6.3. SCSI DVD-R Profile

Logical units that support the SCSI DVD-R Profile shall implement the features shown in “”.

5.3.7. DVD-RAM Profiles

5.3.7.1. 1394 DVD-RAM Profile

Logical units that support the 1394 DVD-RAM Profile shall implement the features shown in “”.

5.3.7.2. ATAPI DVD-RAM Profile

Logical units that support the ATAPI DVD-RAM Profile shall implement the features shown in “”.

5.3.7.3. SCSI DVD-RAM Profile

Logical units that support the SCSI DVD-RAM Profile shall implement the features shown in “”.

5.3.8. Tape Profiles

5.3.8.1. 1394 Tape Profile

Logical units that support the 1394 Tape Profile shall implement the features shown in “”.

5.3.8.2. ATAPI Tape Profile

Logical units that support the ATAPI Tape Profile shall implement the features shown in “”.

5.3.8.3. SCSI Tape Profile

Logical units that support the SCSI Tape Profile shall implement the features shown in “”.

6. Command Descriptions for All Logical Units

Commands which may be implemented common to some or all Logical Unit types are listed in other SCSI-3 standards. For a complete description of these commands reference SCSI-3 Primary Commands, SCSI-3 Block Commands, SCSI-3 MultiMedia Commands, and others.

The commands listed in this sub-clause follow a packetize command layout. Some implementations may desire to have a common CDB length which will require the Host or Initiator to provide a padding of a number of bytes to fill the byte length requirements of the Logical Unit.

6.1. C/DVD Commands

Commands referenced for C/DVD Logical Units are listed in Table 50. These commands are described in the following sub-clauses.

Table 50 - Multimedia Commands Specific to C/DVD Devices

Command Name	Op Code	Type	Sub-clause
BLANK	A1h		6.1.1.
CLOSE TRACK/SESSION	5Bh		6.1.2.
FORMAT UNIT	04h		6.1.3.
INQUIRY	12h	M	SPC
LOAD/UNLOAD C/DVD	A6h	O	6.1.5.
MECHANISM STATUS	BDh	M	6.1.6.
MODE SELECT (6)	15h	M	SPC
MODE SENSE (10)	5Ah	M	SPC
MODE SENSE (6)	1Ah	M	SPC
PAUSE/RESUME	4Bh	A	6.1.7.
PLAY AUDIO (10)	45h	A	6.1.8.
PLAY AUDIO (12)	A5h	A	6.1.9.
PLAY AUDIO MSF	47h	A	6.1.10.
PLAY C/DVD	BCh	O	6.1.11.
PREVENT/ALLOW MEDIUM REMOVAL	1Eh	M	SPC
READ (10)	28h	M	SPC
READ BUFFER CAPACITY	5Ch		6.1.12.
READ C/DVD	BEh	O	6.1.13.
READ C/DVD MSF	B9h	O	6.1.14.
READ C/DVD RECORDED CAPACITY	25h	M	6.1.15.
READ DISC INFORMATION	51h		6.1.16.
READ DVD STRUCTURE	ADh		6.1.17.
READ HEADER	44h	M	6.1.18.
READ MASTER CUE	59h		6.1.19.
READ SUB-CHANNEL	42h	M	6.1.21.
READ TOC/PMA/ATIP	43h	M	6.1.22.
READ TRACK INFORMATION	52h		6.1.23.
RELEASE (10)	57h	M	SPC
REPAIR TRACK	58h		
REQUEST SENSE	03h	M	SPC
RESERVE TRACK	53h		
RESERVE(10)	56h	M	SPC
SCAN	BAh	O	6.1.30.
SEEK (10)	2Bh	M	SPC
SEEK (6)	0Bh	M	SPC
SEND CUE SHEET	5Dh		6.1.31.
SEND DIAGNOSTIC	1Dh	M	SPC
SEND KEY	A3h		6.1.32.
SEND OPC INFORMATION	54h		6.1.33.
SET C/D SPEED	BBh	R	6.1.34.
START/STOP UNIT	1Bh	M	SPC
STOP PLAY/SCAN	4Eh	A	
SYNCHRONIZE CACHE	35h		6.1.37.
WRITE	2Ah		6.1.38.
TEST UNIT READY	00h	M	SPC

Key: M = command implementation is mandatory
O = command implementation is optional
A = mandatory command when implementing Audio
R = mandatory command for CD-R/RW Logical Units

6.1.1. BLANK Command

CD-RW discs have two properties not available with CD-R: direct-overwrite and erasability. The BLANK command provides the ability to erase any part of a CD-RW disc.

Table 51 - BLANK Command Descriptor Block

Bit Byte	7	6	5	4	3	2	1	0
0	Operation Code (A1h)							
1	Reserved			Reserved		Blanking Type		
2	(MSB) Start Address/Track Number (LSB)							
3								
4								
5								
6								
7	Reserved							
8	Reserved							
9	Reserved							
10	Reserved							
11	Control Byte							

Note: The erasing action performed in this command is a Logical Erase.

Blanking Type identifies the method and coverage of blanking. The codes for Blanking Type are defined in Table 52.

Start Address/Track Number is the LBA at which a range for erasure begins:

- a) When Blanking Type is Blank a Track Tail, this field indicates the start LBA.
- b) When Blanking Type is Blank a Track, this field indicates the track.

Table 52 - Blanking Types

Code	Type	Name	Description
000b	Mandatory	Blank the disc	The entire disc is to be erased. The Start Address parameter is ignored. This is used for clearing a complete disc. After completion of this command the disc is blank.
001b	Mandatory	Minimally blank the disc	Erases only the PMA, first session TOC and the pre-gap of the first track. The Start Address parameter is ignored. This is used for blanking a disc quickly. After completion of this command the disc is treated as a blank disc. Caution must be exercised when using this command as the program area still contains user data.
010b	Optional	Blank a Track	Erases the track specified in the Start Address/Track Number field. This command erases the track only, it does not erase the TOC or the PMA. The track to be erased shall be in the incomplete session.
011b	Optional	Un-reserve a Track	This is valid only when the last recorded track is incomplete, reserved, or is complete and in an incomplete session. If the last track is incomplete the track and PMA entry for incomplete track is erased. If the track is reserved or complete, the track and PMA entry of the track is erased. The Start Address/Track Number parameter is ignored.
100b	Mandatory	Blank a Track Tail	Erase the area between the LBA specified Start Address/Track Number field and the end of the track which includes the LBA specified. The LBA specified shall be the first user data block within a packet. This blank type is valid for only a Packet track. This may be used to prepare for writing a packet track to a CD-RW disc with the same write process as a CD-R. The track to be erased shall be in an incomplete session.
101b	Optional	Unclose the last session	Erases the lead-in and lead-out of the last session. The last session shall be complete when this command is issued.
110b	Optional	Erase Session	If the last session is complete, its lead-in, program area, and lead-out shall be erased. If the last session is incomplete, its program area shall be erased. If the last session is empty, the complete session immediately preceding the empty session shall be erased. If the empty session is the only session on the disc, erasing shall not be considered an error.
111b		Reserved	

Table 53 - Recommended errors for BLANK Command

Error	Reference
Deferred Errors	Sub-clause A.1
General Errors	Table A.2
Media Access Errors	Table A.3
Write Errors	Table A.4
ERASE FAILURE	Table A.1

6.1.2. CLOSE TRACK/SESSION Command

The CLOSE TRACK/SESSION Command allows closure of either a track or a session.

Table 54 - CLOSE TRACK/SESSION Command Descriptor Block

bit	7	6	5	4	3	2	1	0
byte								
0	Operation Code (5Bh)							
1	Reserved							Immed
2	Reserved					Session	Track	
3	Reserved							
4	Reserved							
5	Track Number							
6	Reserved							
7	Reserved							
8	Reserved							
9	Control Byte							

The Immed bit allows execution of the close function as an immediate operation. If Immed is zero, then the requested close operation is executed to completion prior to returning status. If Immed is one, then status is returned once the close operation has begun.

The Session and Track bits (see Table 55) have the following meanings:

Table 55 - Session and Track Bits Definitions

Session	Track	Close Actions
0	0	Reserved, not valid
0	1	Close the track associated with the track number in the CDB. If this is the incomplete track, Pad only to the minimum length of 4 seconds. No other padding is to be done. If this is the partially recorded or empty reserved track, the Logical Unit shall pad the track. In the case of an empty track, the Logical Unit shall write the track according to the write parameter page. If the write parameter page is inconsistent with the PMA, CHECK CONDITION shall be set to ILLEGAL MODE FOR THIS TRACK.
1	0	Close session. If all tracks in the last session are not complete, generate Check Condition Status.
1	1	Reserved, not valid

If a session or track is to be closed that is already closed, no error shall be reported.

If Session is set to zero and Track is set to one, byte 5 of the CDB contains the track number of the track to close. If the track number is FFh, then the incomplete track is to be closed. Byte 5 of the CDB shall be ignored if the session bit is set.

In order to close the incomplete track, the following steps are required:

- 1) If necessary, the track is padded to the minimum length of 4 seconds.
- 2) The PMA is consulted in order to locate the largest track number recorded, N.
- 3) The bounds of the track are determined and a PMA entry is written for track N+1.

Closing a session shall cause the lead-in and lead-out to be written for the incomplete session. Closing a session when the last session is closed shall not be considered an error. Closing a session when the last session is empty shall result in a CHECK CONDITION status and sense data set to 05/71/04.

If partially recorded, empty, or incomplete tracks exist in the incomplete session, the drive shall issue CHECK CONDITION status, sense data set to 05/71/04.

Table 56 - Recommended errors for CLOSE TRACK/SESSION Command

Error	Reference
Deferred Errors	Sub-clause A.1
General Errors	Table A.2
Media Access Errors	Table A.3
Write Errors	Table A.4
SESSION FIXATION ERROR	Table A.1
SESSION FIXATION ERROR WRITING LEAD-IN	Table A.1
SESSION FIXATION ERROR WRITING LEAD-OUT	Table A.1
SESSION FIXATION ERROR - INCOMPLETE TRACK IN SESSION	Table A.1
EMPTY OR PARTIALLY WRITTEN RESERVED TRACK	Table A.1

ED NOTE: this command will be replaced with the MtFuji2 format cmd

6.1.3. FORMAT UNIT command

The FORMAT UNIT Command (Table 57) formats CD-RW medium into initiator addressable logical blocks per the initiator defined options.

Table 57 - Format Unit Command

Bit Byte	7	6	5	4	3	2	1	0	
0	Operation Code (04h)								
1	Reserved			Fmt	Cmp	Format Code			
2	Reserved								
3	(MSB)	Interleave Value							
4								(LSB)	
5	Control Byte								

A formatted CD-RW session shall consist of a single, fixed packet track. The packet size specified in the WRITE PARAMETERS mode page defines packet size for the format operation. If the WRITE TYPE field in the WRITE PARAMETERS mode page is not packet (00b), the FORMAT UNIT command shall terminate with a CHECK CONDITION and set sense to ILLEGAL REQUEST, COMMAND SEQUENCE ERROR. If the FP bit in the WRITE PARAMETERS mode page is not set to one (Fixed Packet), the FORMAT UNIT command shall terminate with a CHECK CONDITION and set sense to ILLEGAL REQUEST, COMMAND SEQUENCE ERROR.

A FmtData bit of zero indicates that there is no parameter list. A FmtData bit of one indicates that a parameter list is available. For CD-RW, FmtData shall be set to one.

A CmpList bit of zero indicates that the parameter list provided is in addition to those already available to the Logical Unit. A CmpList bit of one indicates that the parameter list is complete and the Logical Unit is to ignore any existing parameters. For CD-RW, CmpList shall be cleared to zero.

The Format Code identifies the parameter list format. For CD-RW, the Format Code shall be set to seven (111b).

The Interleave Value identifies the interleave to be used when formatting. For CD-RW, Interleave Value shall be cleared to zero.

The FORMAT UNIT Command parameter list (Table 58) consists of three descriptors: the Format List Header, the Initialization Pattern Descriptor, and the Format Descriptor.

Table 58 - Format Unit Parameter List

Bit Byte	7	6	5	4	3	2	1	0
0	Format List Header							
1	Initialization Pattern Descriptor							
2	Format Descriptor							

Table 59 - Format List Header

Bit Byte	7	6	5	4	3	2	1	0
0	Reserved							
1	FOV	DPRY	DCRT	STPF	IP	DSP	IMM	VS
2	(MSB) Format Descriptor Length							
3	(LSB)							

FOV is not used and shall be cleared to zero.

DPRY is not used and shall be cleared to zero.

DCRT is not used and shall be cleared to zero.

STPF is not used and shall be cleared to zero.

IP is not used and shall be cleared to zero.

DSP is not used and shall be cleared to zero.

IMM indicates that GOOD status shall be returned once the command has been decoded and the format operation has begun.

VS is not used and shall be cleared to zero.

The Format Descriptor Length shall be set to 8 when formatting CD-RW medium.

The Initialization Pattern Descriptor (Table 60) is not used for formatting CD-RW medium and shall be cleared to zeros.

Table 60 - Initialization Descriptor

Bit Byte	7	6	5	4	3	2	1	0
0	0							
1	0							
2	0							
3	0							

Table 61 - CD-RW Format Descriptor

Bit Byte	7	6	5	4	3	2	1	0
0	Sess	Grow	Reserved					
1	Reserved							
2	Reserved							
3	Reserved							
4	(MSB) Format Size							
5								
6								
7								

If both the Grow and Session bits are set to zero the format operation shall format (Format Size) user data blocks. Format Size must be integrally divisible by the Packet Size field in the WRITE PARAMETERS mode page. The first formatted user data block shall be LBA 0. Existing information on the disc may be overwritten. After the format, a single session containing a single, fixed packet track will exist on the medium.

If the Grow bit is set to zero and the Session bit is set to 1 the format operation shall create a new session that contains (Format Size) user data blocks. Format Size must be integrally divisible by the Packet Size field in the WRITE PARAMETERS mode page. If the last session on the disc is not complete when this command is issued, a CHECK CONDITION status shall be generated.

A Grow bit of 1 indicates that the final session shall be "grown" to (Format Size) from its original size. This is accomplished by appending packets to the existing session, writing a new lead-out, and updating the PMA and lead-in to change the track size to reflect the new size. Data in existing packets shall not be affected. If the Format Size is smaller than the existing size, a check condition status shall be returned. The order of updating the PMA, lead-in, lead-out, and data area is not specified.

The session bit shall be ignored when the Grow bit is set.

If the Multi-Session Field (see Table 221) in the Write Parameter Page is 11b, the drive shall erase the remaining area of the disc.

Table 62 - Recommended errors for FORMAT UNIT Command

Error	Reference
Deferred Errors	Sub-clause A.1
General Errors	Table A.2
Media Access Errors	Table A.3
Write Errors	Table A.4
FORMAT COMMAND FAILED	Table A.1
CANNOT FORMAT MEDIUM - INCOMPATIBLE MEDIUM	Table A.1

6.1.4. GET EVENT STATUS NOTIFICATION

To be inserted

6.1.5. LOAD/UNLOAD MEDIUM Command

The LOAD/UNLOAD MEDIUM Command (Table 63) requests the Logical Unit changer load or unload a Disc. New LOAD/UNLOAD MEDIUM commands issued before the changer enters the READY STATE (00b), see Table 69, should cause the changer to stop any LOAD/UNLOAD MEDIUM Command in progress and begin processing the new LOAD/UNLOAD MEDIUM command.

Table 63 - LOAD/UNLOAD MEDIUM command

Bit Byte	7	6	5	4	3	2	1	0
0	OPERATION CODE (A6h)							
1	Reserved			Reserved			Immed	
2	Reserved							
3	Reserved							
4	Reserved					LoUnlo		Start
5	Reserved							
6	Reserved							
7	Reserved							
8	SLOT							
9	Reserved							
10	Reserved							
11	Control							

An immediate (Immed) bit of one indicates that the Logical Unit shall return status as soon as the command descriptor block has been validated. An Immed Bit of zero indicates that the status shall not be returned until the operation has been completed.

The Load/Unload (LoUnlo) bit and the Start bit encoding is shown in Table 64

Table 64 - Load/Unload Operations

LoUnlo	Start	Operation to be Performed
0	0	Abort any prior Changer command (Stop)
0	1	Reserved
1	0	Unload media. The Slot Parameter is ignored for this operation.
1	1	Load the Media from specified Slot and initialize

The SLOT field indicated the Slot to be loaded or unloaded. Changer should always initialize (Load) Slot 0 on Power On or Bus Device Reset.

Any attempt to Load or Unload a Disc when the Device does not support that capability shall result in a Check Condition being reported to the Initiator with Sense key ILLEGAL REQUEST, Sense Code INVALID FIELD IN COMMAND DESCRIPTOR BLOCK.

Loading when the slot does not contain a Disc or the Play Position does not contain a Disc will be rejected with Sense Key ILLEGAL REQUEST, Sense Code INVALID FIELD IN COMMAND DESCRIPTOR BLOCK for the Slot Bytes. Unloading when the Play Position does not contain a Disc will be rejected with a Sense Key ILLEGAL REQUEST, Sense Code INVALID FIELD IN COMMAND DESCRIPTOR BLOCK for the Slot Bytes.

Loading when the slot does not contain a Disc will be rejected with a Sense Key NOT READY and Sense Code 3Ah MEDIUM NOT PRESENT. When this error is returned there are two possible actions by the CD Changer Device. If the

Logical Unit reports Software Slot Selection (SSS) = 1, (see Table 230), then the slot specified shall be selected for use. If the Logical Unit reports SSS = 0 then the previously used slot shall continue to be selected for use.

If the drive is capable of caching data then a delayed load of a disc into the playing position can be supported. If delayed loading of a disc into the playing position is supported, the Logical Unit shall have previously cached the TOC data from that disc. If the Logical Unit has not read the TOC for a disc that is being loaded into the playing position, then delayed loading shall not be performed and the disc shall be loaded into the playing position immediately. If Caching of TOC data has been performed and the loading of the Disc into the playing position is delayed, then the drive shall report that the Disc is ready, even though the Disc is not spinning and installed in the playing position. In all cases the behavior seen by the initiator (other than a longer subsequent media access latency) shall not be different between delayed and immediate loading of a disc.

A UNIT ATTENTION Condition shall not be generated when discs are loaded or unloaded from the playing position.

Table 65 - Recommended errors for LOAD/UNLOAD MEDIUM operation

Error	Reference
Deferred Errors	Sub-clause A.1
General Errors	Table A.2
MECHANICAL POSITIONING ERROR	Table A.1
INVALID ELEMENT ADDRESS	Table A.1
MEDIA LOAD OR EJECT FAILED	Table A.1

6.1.6. MECHANISM STATUS Command

The Mechanism Status command (Table 66) requests that the Logical Unit responds with the current status of the device, including any Changer Mechanism that adheres to this standard. This command is intended to provide information to the Initiator about the current operational state of the Logical Unit. The device takes operational direction from both the Initiator and the user. Movement of media in/out of the Logical Unit as well as Play operation may be due to external controls or initiator commands. This command provides a method that allows the Initiator to know what has transpired with the changer mechanism.

Table 66 - MECHANISM STATUS Command Descriptor Block

Bit Byte	7	6	5	4	3	2	1	0	
0	Operation code (BDh)								
1	Reserved								
2	Reserved								
3	Reserved								
4	Reserved								
5	Reserved								
6	Reserved								
7	Reserved								
8	(MSB)	Allocation Length							
9								(LSB)	
10	Reserved								
11	Control								

The Allocation Length field specifies the maximum length in bytes of the Mechanical Status Parameter list, see Table 67 that shall be transferred from the Logical Unit to the Initiator. An Allocation Length field of zero indicates that no data shall be transferred. This condition shall not be considered an error.

The Mechanism Status Parameter list (Table 67) returned contains a header (Table 68), followed by zero or more fixed-length Slot Tables. If the Logical Unit does not support the changer commands, then the number of slot tables returned to the initiator shall be zero.

Table 67 - Mechanism Status Parameter List

Bit Byte	7	6	5	4	3	2	1	0
0-7	Mechanism Status Header							
8-n	Slot Table(s)							

Table 68 - Mechanism Status Header

Bit Byte	7	6	5	4	3	2	1	0
0	Fault	Changer State		Current Slot				
1	Mechanism State			Door open	Reserved			
2	(MSB) Current LBA (LSB)							
3								
4								
5								
6	(MSB) Length of Slot Table(s)							
7	(LSB)							
8 - n	Slot Tables (0-n)							

The Fault bit, bit 7, indicates that the changer failed to complete the operation reported in the Changer State field.

The Changer State field (Table 69), indicates the current state of the changer.

Table 69 - Changer State Field

Changer State	Definition
0h	Ready
1h	Load in Progress
2h	Unload in Progress
3h	Initializing

The Current Slot field indicates the Current Slot selected. Changers compatible with a bootable device specification should always initialize (Load) Slot zero on Power On or Bus Device Reset.

The Mechanism State field (Table 70) encodes the current operation of mechanism.

Table 70 - Mechanism State Field

Mechanism State	Definition
0h	Idle
1h	Playing (Audio or Data)
2h	Scanning
3h-6h	Reserved
7h	Initializing

The slot table response data format is defined in Table 71. Each slot shall respond with the status defined.

The Door open bit when set, indicates that the Door(s) or Tray(s) is open or the cartridge is not present.

Table 71 - Slot Table Response Format

Bit Byte	7	6	5	4	3	2	1	0
0	Disc Present (Optional)	Reserved	Reserved	Reserved	Reserved	Reserved	Reserved	Change (Mandatory)
1	Reserved							
2	Reserved							
3	Reserved							

The Disc Present bit, bit 7, indicates that there is a Disc in this slot. The reporting of this information is optional after a reset or Disc change. If this feature is not supported, this bit shall be set to one after a reset condition or when a medium has been changed. When the Logical Unit is given a load command for a slot that contains no Disc, the bit corresponding to that slot shall then contain a 0 for any following response. If this bit is valid after a reset or medium change, then this capability shall be reported in the CD Capabilities and Mechanical Status Page (see Table 213).

The Change bit, bit 0, indicates that the Disc in that slot has been changed since the last time the disc was loaded.

The Number of Slots Available field indicates the number of slots available. The maximum number of slots is 32.

Table 72 - Recommended errors for Mechanism Status command

Error	Reference
Deferred Errors	Sub-clause A.1
General Errors	Table A.2

6.1.7. PAUSE/RESUME Command

The PAUSE/RESUME command (Table 73) requests that the Logical Unit stop or start a playback operation. This command is used with PLAY AUDIO and Play CD commands that are executing in immediate mode.

Table 73 - PAUSE/RESUME Command Descriptor Block

Bit Byte	7	6	5	4	3	2	1	0
0	OPERATION CODE (4Bh)							
1	Reserved			Reserved				
2	Reserved							
3	Reserved							
4	Reserved							
5	Reserved							
6	Reserved							
7	Reserved							
8	Reserved						Resume	
9	Control							

A Resume bit of zero causes the drive to enter the hold track state with the audio output muted after the current block is played. A Resume bit of one causes the drive to release the pause/scan and begin play at the block following the last block played/scanned.

If an audio play operation cannot be resumed and the Resume bit is one, the command is terminated with CHECK CONDITION status, COMMAND SEQUENCE ERROR. If the Resume bit is zero and an audio play operation cannot be paused, (no audio play operation has been requested, or the requested audio play operation has been completed), the command is terminated with CHECK CONDITION status, COMMAND SEQUENCE ERROR.

It shall not be considered an error to request a Pause when a pause is already in effect, or to request a Resume when a play operation is in progress.

Table 74 - Recommended errors for PAUSE/RESUME command

Error	Reference
Deferred Errors	Sub-clause A.1
General Errors	Table A.2
COMMAND SEQUENCE ERROR	Table A.1

6.1.8. PLAY AUDIO(10) Command

The PLAY AUDIO command (Table 75) requests that the C/DVD Logical Unit begin an audio playback operation. The command function and the output of audio signals shall be as specified by the settings of the mode parameters, including the SOTC bit.

If any commands related to audio operations are implemented then the PLAY AUDIO (10) command shall be implemented to allow a method for the Host Computer to determine if audio operations are supported. An C/DVD Logical Unit responding to a PLAY AUDIO (10) command that has a transfer length of zero with CHECK CONDITION status and setting the sense key to ILLEGAL REQUEST does not support audio play operations.

Table 75 - PLAY AUDIO(10) Command Descriptor Block

Bit Byte	7	6	5	4	3	2	1	0
0	OPERATION CODE (45h)							
1	Reserved			Reserved			RELADR	
2	(MSB) Starting Logical Block Address (LSB)							
3								
4								
5								
6	Reserved							
7	(MSB) Transfer Length (LSB)							
8								
9	Control							

The RELADR bit shall be set to zero.

The Starting Logical Block Address field specifies the logical block at which the audio playback operation shall begin. PLAY AUDIO commands with a starting logical block address of FFFF FFFFh shall implement audio play from the current location of the optics. PLAY AUDIO commands with a starting LBA address of 0000 0000h shall begin the audio play operation at 00/02/00 MSF.

The Transfer Length field specifies the number of contiguous logical blocks that shall be played. A Transfer Length field of zero indicates that no audio operation shall occur. This condition shall not be considered an error.

If the starting address is not found, the command shall be terminated with CHECK CONDITION status, LOGICAL BLOCK ADDRESS OUT OF RANGE.

If the starting address is not within an audio track, the command shall be terminated with CHECK CONDITION status, ILLEGAL MODE FOR THIS TRACK.

If the CD sub-channel mode type (data vs. audio) is other than audio or changes within the transfer length the command shall be terminated with a CHECK CONDITION and the sense key shall be set to ILLEGAL REQUEST and additional sense code set to END OF USER AREA ENCOUNTERED ON THIS TRACK.

6.1.8.1. Play Audio with Immediate Packet Commands

The PLAY AUDIO and AUDIO SCAN commands will continue to play while other commands are processed by the Logical Unit. Some commands can be accepted without disrupting the audio operations, while others will cause the Play operation to stop. The following section describes the operation of other commands while playing audio.

The C/DVD Logical Unit shall accept and perform the commands as specified. If a PLAY or SCAN operation is executing such that the IMMED bit in the Audio Control Page was set to one when the command started, execution of a new, overlapping commands takes precedence. When the new command can be executed to completion without

disturbing execution of the PLAY or SCAN, it shall be done. Otherwise, the PLAY or SCAN must be terminated in order that the new command can be executed. The following commands shall be executed without disturbing the PLAY or SCAN command:

- REQUEST SENSE
- READ SUB-CHANNEL, current position
- PAUSE/RESUME
- INQUIRY
- READ CAPACITY

All other commands that may effect the termination of PLAY or SCAN are implementation specific.

Table 76 - Recommended errors for PLAY AUDIO(10) Command

Error	Reference
Deferred Errors	Sub-clause A.1
General Errors	Table A.2
Media Access Errors	Table A.3

6.1.9. PLAY AUDIO(12) Command

The PLAY AUDIO command (Table 77) requests that the C/DVD Logical Unit begin an audio playback operation. The command function and the output of audio signals shall be as specified by the settings of the mode parameters, including the SOTC bit.

Table 77 - PLAY AUDIO(12) Command Descriptor Block

Bit Byte	7	6	5	4	3	2	1	0
0	OPERATION CODE (A5h)							
1	Reserved			Reserved			RELADR	
2	(MSB) Logical Block Address (LSB)							
3								
4								
5								
6	(MSB) Transfer Length (LSB)							
7								
8								
9								
10	Reserved							
11	Control							

See PLAY AUDIO (10) Command for bit and field description in the CDB.

Table 78 - Recommended errors for PLAY AUDIO(12) Command

Error	Reference
Deferred Errors	Sub-clause A.1
General Errors	Table A.2
Media Access Errors	Table A.3

6.1.10. PLAY AUDIO MSF Command

The PLAY AUDIO MSF command (Table 79) requests that the C/DVD Logical Unit begin an audio playback operation. The command function and the output of audio signals shall be as specified by the settings of the mode parameters including the SOTC bit described on page 120.

Table 79 - PLAY AUDIO MSF Command Descriptor Block

Bit Byte	7	6	5	4	3	2	1	0
0	OPERATION CODE (47h)							
1	Reserved				Reserved			
2	Reserved							
3	Starting M Field							
4	Starting S Field							
5	Starting F Field							
6	Ending M Field							
7	Ending S Field							
8	Ending F Field							
9	Control							

The Starting M Field, the Starting S Field, and the Starting F Field specify the absolute MSF address that the audio play operation shall begin. The Ending M Field, the Ending S Field, and the Ending F Field specify the absolute MSF address where the audio play operation shall end. All contiguous audio sectors between the starting and the ending MSF address shall be played.

If the Starting Minutes, Seconds, and Frame Fields are set to FFh, the Starting address is taken from the Current Optical Head location. This allows the Audio Ending address to be changed without interrupting the current playback operation.

A starting MSF address equal to an ending MSF address causes no audio play operation to occur. This shall not be considered an error. If the starting MSF address is greater than the ending MSF address, the command shall be terminated with CHECK CONDITION status, INVALID FIELD IN CDB.

If the starting address is not found the command shall be terminated with CHECK CONDITION status, LOGICAL BLOCK OUT OF RANGE. If the address is not within an audio track the command shall be terminated with CHECK CONDITION status, ILLEGAL MODE FOR THIS TRACK OR INCOMPATIBLE MEDIUM. If a not ready condition exists, the command shall be terminated with CHECK CONDITION status.

Table 80 - Recommended errors for PLAY AUDIO MSF Command

Error	Reference
Deferred Errors	Sub-clause A.1
General Errors	Table A.2
Media Access Errors	Table A.3

6.1.11. PLAY CD Command (Obsolete)

The PLAY CD Command (Table 81) defines a the way digital data shall be sent to an external port.

Table 81 - PLAY CD Command Descriptor Block

Bit Byte	7	6	5	4	3	2	1	0
0	OPERATION CODE (BCh)							
1	Reserved			Expected Sector Type		CMSF	Reserved	
2	(MSB) Starting Logical Block Address							
3								
4								
5								
6	(MSB) Play Length in Blocks							
7								
8								
9								
10	Speed	Reserved			Port 2	Port 1	Composite	Audio
11	Control							

The Expected Sector Type field (Table 82) is used to check the sector type only. If the Requested Sector(s) do not match the specified type, the command will be terminated with a Check Condition, ILLEGAL MODE FOR THIS TRACK. The sector that does not match will not be transferred..

Table 82 - Expected Sector type field bit definitions

Sector Type	Definition	Description
000b	All types (mandatory)	No checking of the data type is performed. The Logical Unit shall always terminate a command at the sector where a transition between CD-ROM and CD-DA data occurs.
001b	CD-DA (optional)	Only IEC 908:1987 (CD-DA) (see Error! Reference source not found.) sectors shall be returned. All other data formats encountered return an error.
010b	Mode 1 (mandatory)	Only Yellow Book (see Error! Reference source not found.) sectors with a user data field of 2048 bytes shall be returned. All other data formats encountered return an error.
011b	Mode 2 formless (mandatory)	Only Yellow Book (see Error! Reference source not found.) sectors with the expanded user data field (2336 bytes) shall be returned. All other formats encountered will terminate the command and return CHECK condition.
100b	Mode 2 form 1 (mandatory)	Only sectors (see Error! Reference source not found.) which have a user data field of 2048 bytes will be returned. All other formats encountered will terminate the command and return CHECK condition.
101b	Mode 2 form 2 (mandatory)	Only sectors (see Error! Reference source not found.) which have a user data field of 2324 shall be returned. All other formats encountered will terminate the command and return CHECK condition. NOTE: 4 spare bytes are included making the total data length returned 2328 bytes/sector.
110b-111b	Reserved	

If the CMSF bit is set to zero, the Starting Logical Block Address field specifies the logical block at which the playback operation shall begin. If the CMSF bit is set to one, bytes 3 through 5 specify the MSF starting address and bytes 6 through 8 indicate the ending MSF address. Bytes 2 and 9 are reserved if CMSF is set to one.

PLAY CD commands with a starting LBA address of 0000 0000h shall begin the play operation at 00/02/00 MSF.

If the Starting Logical Block Address is set to 'FF FF FF FFh' (or '00 FF FF FFh' when CMSF is one) and the playback operation is in progress, or the drive is in the hold track state, the drive shall change the Transfer Length (or Ending Address when CMSF is one) without interrupting current playback operation. If there is no playback operation in progress the drive shall implement the playback operation from the current location of the optics.

The Play Length field specifies the number of contiguous logical blocks that shall be played. A Play Length field of zero indicates that no play operation shall occur. This condition shall not be considered an error.

If the starting address is not found, the command shall be terminated with CHECK CONDITION status, LOGICAL BLOCK ADDRESS OUT OF RANGE.

Byte 10 of the command descriptor block defines a group of bits that define the play operations for this command.

Table 83 defines the Field definitions for PLAY CD.

Table 83 - PLAY CD Field definition

Byte 10 bit	Value	Description
Audio	0	Analog Audio Channel is Disabled
	1	Analog Audio Channel is Enabled
Composite	0	Composite Video port is Disabled
	1	Composite Video port is Enabled
Port 1	0	Digital Port 1 is Disabled
	1	Digital Port 1 is Enabled
Port 2	0	Digital Port 2 is Disabled
	1	Digital Port 2 is Enabled
Speed	0	Speed will be set to X1 for the operation
	1	The speed used will be the best possible

Table 84 - Recommended errors PLAY CD Command

Error	Reference
Deferred Errors	Sub-clause A.1
General Errors	Table A.2
Media Access Errors	Table A.3

6.1.12. READ BUFFER CAPACITY Command (Obsolete)

The READ BUFFER CAPACITY command checks the total length of buffer and the length of blank area.

Table 85 - READ BUFFER CAPACITY Command Descriptor Block

Bit Byte	Bit 7	Bit 6	Bit 5	Bit 4	Bit 3	Bit 2	Bit 1	Bit 0
0	Operation Code (5Ch)							
1	Reserved			Reserved				
2	Reserved							
3	Reserved							
4	Reserved							
5	Reserved							
6	Reserved							
7	(MSB) Allocation Length							
8	(LSB)							
9	Control							

The drive reports the length of the buffer during Session at Once Recording or Track at Once Recording. If the READ BUFFER CAPACITY command is issued in a condition except Session at Once Recording or Track at Once Recording, the Blank Length of Buffer field may be invalid.

An Allocation Length of zero is not an error.

The READ BUFFER CAPACITY data shown below is sent in response to this command.

Table 86 - READ BUFFER CAPACITY data

Bit Byte	Bit 7	Bit 6	Bit 5	Bit 4	Bit 3	Bit 2	Bit 1	Bit 0
0	(MSB) Data Length							
1	(LSB)							
2	Reserved							
3	Reserved							
4	(MSB)							
5	The Length of Buffer							
6								
7	(LSB)							
8	(MSB)							
9	Blank Length of Buffer							
10								
11	(LSB)							

The Length of Buffer indicates the whole capacity of the buffer in bytes.

The Blank Length of Buffer indicates the length of unused area of the buffer in bytes.

Table 87 - Recommended errors for READ BUFFER CAPACITY Command

Error	Reference
Deferred Errors	Sub-clause A.1
General Errors	Table A.2

6.1.13. READ CD Command

The READ CD Command described in Table 88 provides a single standard, universal way of accessing CD data. This command is generic to all types of CD data formats.

This command returns any of the defined CD data streams, including the headers, EDC, ECC, user data and CD-DA data. Each type of data is enabled via the fields in the READ CD command descriptor block (see Table 88). These fields, (byte 9) indicate which information from the CD is to be returned in the data stream. If a bit is cleared, then that particular information is not returned. If all the fields contain zero then no information is returned. This condition shall not be considered an error.

Table 88 - READ CD Command Descriptor Block

Bit Byte	7	6	5	4	3	2	1	0
0	OPERATION CODE (BEh)							
1	RESERVED		Expected Sector Type			Reserved	RELADR	
2	(MSB) Starting Logical Block Address (LSB)							
3								
4								
5								
6								
6	(MSB) Transfer Length in Blocks (LSB)							
7								
8								
9	SYNC	Header Codes	User Data	EDC & ECC	Error Field	Reserved		
10	Reserved				Sub-Channel Selection Bits			
11	Control							

The RELADR bit shall be set to zero.

The Expected Sector Type field is used as a filter or mask to select the types of data format information returned to the initiator. A transfer operation is terminated as soon as data is encountered that does not match one of those specified in the sector type field of the command. If the requested data is not of the type/types requested, the command will be terminated with a CHECK CONDITION status, ILLEGAL MODE FOR THIS TRACK. The sector/sectors which do not match will not be transferred to the initiator. .

The Sync bit, set to one, indicates that the Sync field from the sector will be included in the data stream. The Sync bit, set to zero indicates the Sync field will not be included in the data stream.

The Header Code field (Table 89) is encoded to select Header/Sub-header information that should be included in the returned data stream.

Table 89 - Header Code field definition

Header Code	Definition	Description
00b	none	no header information shall be returned
01b	Hdr only	Only the four byte header will be returned in the data stream
10b	sub-header only	Only the mode 2 form 1 or form 2 sub-header will be returned.
11b	All headers	Return both header and sub-header information

The User data bit, when set to one, indicates that the user data part of a CD sector shall be returned in the data stream. When set to zero, user data shall not be returned to the initiator. The setting of the Mode Select Block Size does not apply to this command. If the current track is an audio track, then audio data will be returned. Otherwise, the normal user data will be returned.

The EDC and ECC bit, when set to one, indicates that the EDC and ECC (L-EC) field shall be included in the data stream. For Mode 1 CD format, this will include the 8 bytes of pad data.

The Error field(see Table 90) is an encoded field that indicates which if any of the C2 and/or Block error data will be included in the data stream. All of the field types are mandatory. If the drive does not support the C2 pointers (as reported in the mode sense capabilities page) the data returned shall be zero filled.

Table 90 - READ CD, Error field definition

Error Field	Definition	Description
00b	none	No error information is returned
01b	C2 error block data	The C2 error, Pointer bits (2352 bits or 294 bytes) will be included in the data stream. There will be one bit for each byte in error in the sector (2352 total). The bit ordering is from the most significant bit to the least significant bit in each byte. The first bytes in the sector will be the first bits/bytes in the data stream.
10b	C2 and Block Error Bits	Both the C2 error bits (2352 bits/294 bytes) and the Block Error Byte will be included in the data stream. The Block Error Byte is the logical or of all the C2 Error bit bytes. The Error Byte will be padded with a byte (undefined) to ensure an even number of bytes in the data stream. The Block error byte will be first in the data stream followed by the pad byte.
11b	Reserved	Reserved for future enhancement.

The Sub-channel data selection field (see Table 91) indicates which CD Sub-Channel information is to be included in the data stream. This may be the Q information and/or the “Raw” sub-channel information. If the field is set to a nonzero value, then that Sub-channel data will be included in the data stream to the initiator.

Table 91 - READ CD, Sub-channel Data Selection Field definition

Sub-Channel data selection value	Definition	Description	Type
000b	No sub-channel data	No sub-channel data will be returned	Mandatory
001b	RAW	RAW P-W sub-channel data will be transferred	Optional
010b	Q	Q data is transferred (see Table 92)	Optional
011b	Reserved		
100b	P-W	R-W data is transferred	Optional
101b-111b	Reserved		

In the case of R-W the drive may return the data de-interleaved and error corrected, RAW or padded with zeroes depending on the R-W supported and R-W de-interleaved and error corrected bits in the CD capabilities and Mechanism status page. In the case of RAW the drive will return the P-W sub-channel data that is not de-interleaved. See Table 96 and Table 97 for P-W data formats.

If the Starting Logical Block Address is set to FFFF FFFFh and the only information requested to be placed in the data stream is the Sub-channel data and there is currently a PLAY AUDIO command in process, the actual address used will be from the current location (of the audio play).

Table 92 - Formatted Q sub-channel response data

Byte	Description
0	Control (4 ms bits), ADR (4 Ls bits)
1	Track number
2	Index number
3	Min
4	Sec
5	Frame
6	ZERO
7	AMIN
8	ASEC
9	AFRAME
10	CRC** or 00h
11	CRC** or 00h
12	00h (pad)
13	00h (pad)
14	00h (pad)
15	MSB is P-Sub-code(optional), all others are 0h

** CRC is optional

All data returned to the initiator is converted to hex from bcd. Data stored on the media is formatted in bcd values.

The lengths of the data returned from a READ CD command vary based on the type of sector that is being read and the requested fields to be returned to the initiator. Many combinations are possible, but most are not very useful. Table 93 specifies how the Logical Unit responds to many of the requests. Requests for transfers not specified in the Table 93 shall not be supported and treated as illegal. Illegal values will cause the command to be aborted with a CHECK CONDITION status, INVALID FIELD IN CDB. See **Error! Reference source not found.** for definition of sector formats.

ED NOTE: tie byte 9 of cdb to table 39. neither MMC1 or ATAPI are very clear on the relationship.

Table 93 - Number of Bytes Returned Based on Data Selection Field

Data to be transferred	Byte ² 9	CD-DA	Mode 1	Mode 2	Mode 2 Form 1	Mode 2 Form 2
User Data	10h	2352	2048 ¹	2336 ¹	2048	2328 ¹
User Data + EDC/ECC	18h	(10h) ¹	2336	(10h) ¹	2328	(10h) ¹
Header	20h	(10h) ¹	4	4	4	4
Header Only + EDC/ECC	28h	(10h) ¹	Illegal	Illegal	Illegal	Illegal
Header & user data	30h	(10h) ¹	2052 ¹	2340 ¹	Illegal	Illegal
Header & User Data + EDC/ECC	38h	(10h) ¹	2340	(30h) ¹	Illegal	Illegal
Sub Header Only	40h	(10h) ¹	0	0	8	8
Sub Header Only + EDC/ECC	48h	(10h) ¹	Illegal	Illegal	Illegal	Illegal
Sub Header & user data	50h	(10h) ¹	(10h) ¹	(10h) ¹	2056 ¹	2336 ¹
Sub Header & user data + EDC/ECC	58h	(10h) ¹	(18h) ¹	(10h) ¹	2336	(50h) ¹
All Headers Only	60h	(10h) ¹	4	4	12	12
All Headers Only + EDC/ECC	68h	(10h) ¹	Illegal	Illegal	Illegal	Illegal
All Headers & user data	70h	(10h) ¹	(30h) ¹	(30h) ¹	2060 ¹	2340 ¹
All Headers & user data + EDC/ECC	78h	(10h) ¹	(38h) ¹	(30h) ¹	2340	2340
Sync & User Data	90h	(10h) ¹	Illegal	Illegal	Illegal	Illegal
Sync & User Data + EDC/ECC	98h	(10h) ¹	Illegal	Illegal	Illegal	Illegal
Sync & Header Only	A0h	(10h) ¹	16	16	16	16
Sync & Header Only + EDC/ECC	A8h	(10h) ¹	Illegal	Illegal	Illegal	Illegal
Sync & Header User Data	B0h	(10h) ¹	2064	2352	Illegal	Illegal
Sync & Header User Data + EDC/ECC	B8h	(10h) ¹	2352	(B0h)	Illegal	Illegal
Sync & Sub Header Only	C0h	(10h) ¹	Illegal	Illegal	Illegal	Illegal
Sync & Sub Header Only + EDC/ECC	C8h	(10h) ¹	Illegal	Illegal	Illegal	Illegal
Sync & Sub Header & User Data	D0h	(10h) ¹	Illegal	Illegal	Illegal	Illegal
Sync & Sub Header & User Data + EDC/ECC	D8h	(10h) ¹	Illegal	Illegal	Illegal	Illegal
Sync & All Headers Only	E0h	(10h) ¹	16	16	24	24
Sync & All Headers Only + EDC/ECC	E8h	(10h) ¹	Illegal	Illegal	Illegal	Illegal
Sync & All Headers & user data	F0h	(10h) ¹	2064	2352 ¹	2072	2352 ¹
Sync & All Headers & user data + EDC/ECC	F8h	(10h) ¹	2352 ¹	(F0h) ¹	2352 ¹	(F0h) ¹
Repeat 10h - F8h and Add Error Bits	02h	+294 ³	+294	+294	+294	+294
Repeat 10h - F8h and Add Block & Error Bits	04h	+296	+296	+296	+296	+296

Note:

1. These values are most useful to the initiator and shall return the number of bytes specified, if supported.
2. Byte 9 of the READ CD Command Descriptor Block
3. + indicates the addition of the specified number of bytes to the stream of the data.

For definitions of the headers of Table 93 refer to sub-clause **Error! Reference source not found.**

Values enclosed in () indicate that the amount of data is the same as the Flag byte setting specified by the contents of the parenthesis.

Table 94 - Recommended errors for READ CD command

Error	Reference
Deferred Errors	Sub-clause A.1
General Errors	Table A.2
Media Access Errors	Table A.3
READ ERROR - LOSS OF STREAMING	Table A.1

The CD-DA audio data includes 16 bits of information for each channel, and will be formatted as follows when an audio track is read. See Table 95.

Table 95 - CD-DA (Digital Audio) Data Block Format

Bit Byte	7	6	5	4	3	2	1	0
0	Left Channel (Lower Byte)							(LSB)
1	(MSB)	Left Channel (Upper Byte)						
2	Right Channel (Lower Byte)							(LSB)
3	(MSB)	Right Channel (Upper Byte)						
2348	Left Channel (Lower Byte)							(LSB)
2349	(MSB)	Left Channel (Upper Byte)						
2350	Right Channel (Lower Byte)							(LSB)
2351	(MSB)	Right Channel (Upper Byte)						

If the CD Drive does not support the CD-DA Stream-Is-Accurate capability, See Table 230 - CD Capabilities and Mechanical Status Page, then the digital audio data must be read as a continuous stream. If while streaming the drive must stop, there will be a non recoverable error generated READ ERROR - LOSS OF STREAMING. This is due to the 1 second uncertainty of the address. (i.e. there is no header in CD-DA data). Reissuing the command may not return exactly the same data as the previous try. When the drive supports the stream accurate capability, there will be no error, only some time delay for rotational latency.

ED NOTE: need to define stream is accurate in the model section..

The format for R-W raw data is described in Table 96.

Table 96 - R-W RAW data format

Bit Byte	7	6	5	4	3	2	1	0
0	P-W (0)							
1	P-W (1)							
...	...							
95	P-W (95)							

R-W raw data is returned in the format and order found on the media. It is the responsibility of the Logical Unit driver to de-interleave and perform error detection and correction on the RAW data to make it usable to higher level applications.

Table 97 - P-W Data de-interleaved and error corrected

Bit yte	7	6	5	4	3	2	1	0
0	P	Q	PACK (0)					
1	P	Q	PACK (1)					
...	...							
23	P	Q	PACK (23)					
24	P	Q	PACK (0)					
25	P	Q	PACK (1)					
...	...							
47	P	Q	PACK (23)					
48	P	Q	PACK (0)					
49	P	Q	PACK (1)					
...	...							
71	P	Q	PACK (23)					
72	P	Q	PACK (0)					
73	P	Q	PACK (1)					
...	...							
93	P	Q	PACK (23)					

Drives that cannot return P or Q code with PACK data will return undefined data in the unsupported P or Q bits. Each PACK is generated after 2 contiguous Sub Channel data frames consisting of 24 bytes with 6 bits of PACK data per byte. Each 96 byte Packet consists of 4 Packs of 24 bytes each.

The basic RAW format is shown in Figure 16 below. The data is synchronized with the sub-channel sync patterns S0 and S1. Each group of 6 bits (R-W) is called a "symbol." The symbol following the sub-channel patterns S0 and S1, is the first symbol of the first pack in a packet.

6.1.13.1. Description of Sub-Channels R-W

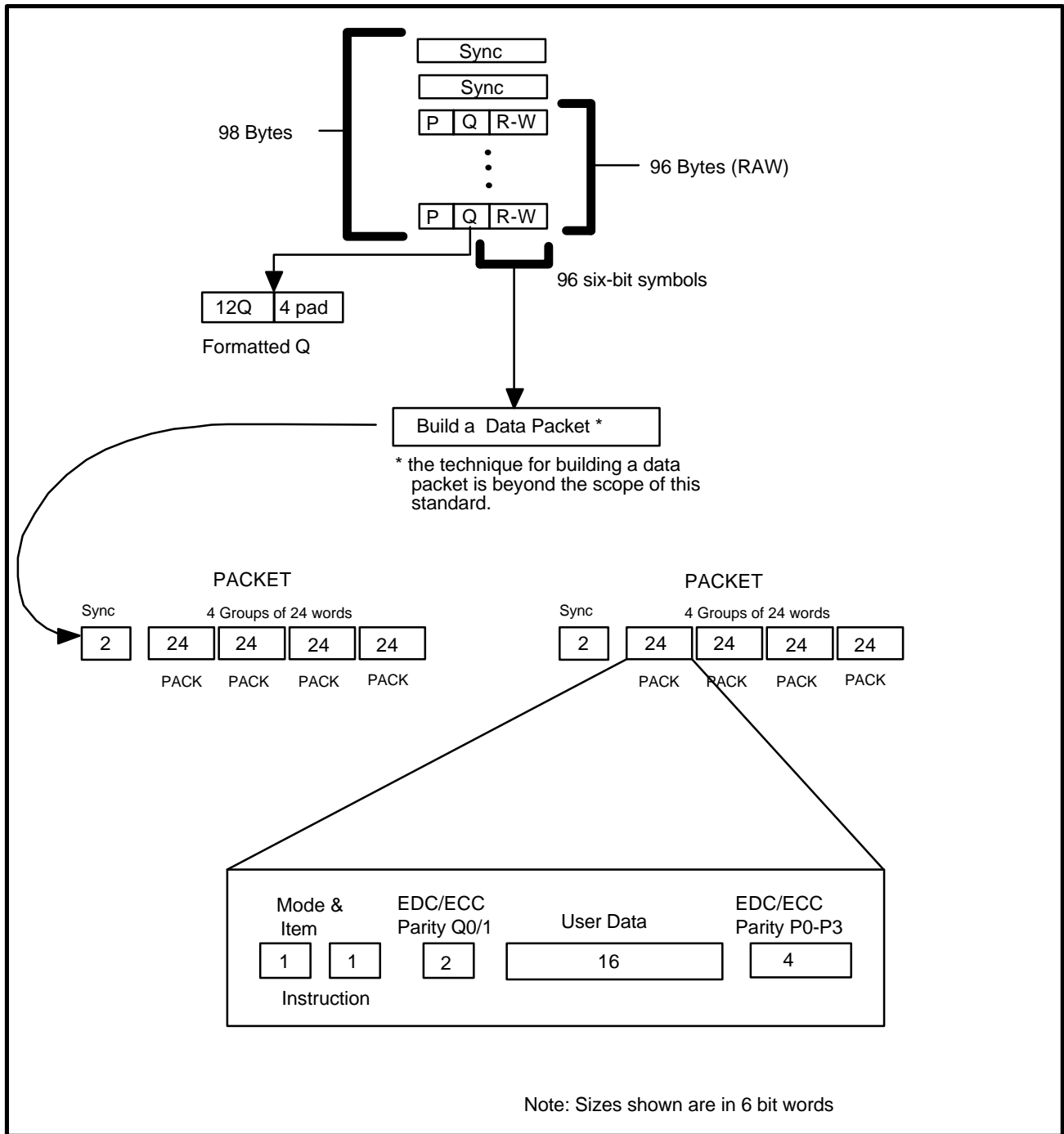


Figure 16 - Read CD Sub-Channel, R-W (100b)

To guard the data in the sub-coding channels R-W, a (24,20) Reed-Solomon Error Correction Code is used. To improve the burst error correction capability, eight way interleaving is added to this error correction system.

The first two symbols in a pack have additional protection with a (4,2) Reed Solomon Error Correction Code. The first symbol of a pack contains a mode-switch of 3 bits and a 3 bit subdivision of mode, called "item." The defined mode-item combinations are listed in Table 98.

Table 98 - Sub-channel R-W; Allowed mode/item combinations

Mode	Item	Description
000b	000b	The Zero mode
001b	000b	The LINE GRAPHICS mode
	001b	The TV GRAPHICS mode
111b	000b	The USER mode
All others		Reserved for future use

The R-W information is returned as part of the "raw" sub-channel data. The lower 6 bits of each of the bytes contain the R-W data. This data follows the format shown in Figure 16. If the Q information needs to be taken from the raw data then it shall not be interleaved.

6.1.14. READ CD MSF Command

The READ CD MSF Command described in Table 99 provides a single standard command format for accessing CD data via MSF addressing. This command is generic to all types of CD data formats.

This command returns any of the defined CD data streams, including the headers, EDC, ECC, user data and CD-DA data. Each type of data is enabled via the fields in the READ CD MSF command descriptor block (see Table 99). These fields indicate which information from the CD is to be returned in the data stream. If the bit is cleared, then that particular information is not returned. If all the fields contain zero then no information is returned. This condition shall not be considered an error.

Table 99 - READ CD MSF Command Descriptor Block

Bit	7	6	5	4	3	2	1	0	
0	OPERATION CODE (B9h)								
1	Reserved			Sector Type			Reserved		
2	Reserved								
3	Starting M Field								
4	Starting S Field								
5	Starting F Field								
6	Ending M Field								
7	Ending S Field								
8	Ending F Field								
9	SYNC	Header Codes		User Data	EDC & ECC	Error Fields		Reserved	
10	Reserved					Sub-Channel Selection Bits			
11	Control								

The Starting M field, the Starting S field, and the Starting F field specify the absolute MSF address where the Read operation shall begin. The Ending M field, the Ending S field, and the Ending F field specify the absolute MSF address where the Read operation shall end. All contiguous sectors between the starting and ending MSF addresses shall be read.

A starting MSF address equal to an ending MSF address prevents a read operation. This shall not be considered an error. If the starting MSF address is greater than the ending MSF address, the command shall be terminated with CHECK CONDITION status, ILLEGAL REQUEST.

If the starting address is not found, or if a not ready condition exists, the command shall be terminated with CHECK CONDITION status.

For descriptions of Sector Type field see Table 82.

For a description of all fields in byte 9, and Sub-channel Selection Bits (byte 10), see sub-clause 6.1.13. Read CD Command.

Table 100 - Recommended errors for READ CD MSF Command

Error	Reference
Deferred Errors	Sub-clause A.1
General Errors	Table A.2
Media Access Errors	Table A.3
READ ERROR - LOSS OF STREAMING	Table A.1

6.1.15. READ C/DVD RECORDED CAPACITY Command (Obsolete)

The READ C/DVD RECORDED CAPACITY command (Table 101) provides a means for the initiator to request information regarding the capacity of the logical unit. This command has the same operation code (25h) as the READ CAPACITY command (see SCSI Block Commands). The general function is the same but the exact definitions of the returned logical block address is modified to allow returning a possibly inexact value (but one with a known error bound) based on the Table of Contents data.

Table 101 - READ C/DVD RECORDED CAPACITY Command Descriptor Block

Bit Byte	7	6	5	4	3	2	1	0
0	OPERATION CODE (25h)							
1	RESERVED			Reserved			RELADR	
2	(MSB) Logical Block Address (LSB)							
3								
4								
5								
6	Reserved							
7	Reserved							
8	Reserved						PMI	
9	Control							

The RELADR and PMI bits shall be reserved for C/DVD Logical Units, and shall be set to zero.

READ C/DVD RECORDED CAPACITY response data shall be the logical block address and block length (in bytes) of the last valid logical block of the logical unit for seek operations. The logical block address returned shall be greater than or equal to the last readable or playable block in the last complete session. If greater, this address may be in a transition area beyond the last valid logical block for read or audio play operations. The logical block address in the command descriptor block shall be set to zero for this option.

Eight bytes of READ C/DVD RECORDED CAPACITY data (Table 102) shall be returned in response to the command.

Table 102 - READ CD RECORDED CAPACITY data format

Bit Byte	7	6	5	4	3	2	1	0
0	(MSB) Logical Block Address (LSB)							
...								
3								
4	(MSB) Block Length in Bytes (Length reported shall be 2048d) (LSB)							
...								
...								
7								

The returned Logical Block Address shall be the last sector in the last complete session.

The Block Length shall be reported, in bytes, as 2048d. A block length of 512 is obsolete.

Table 103 - Recommended errors for READ CD RECORDED CAPACITY Command

Error	Reference
Deferred Errors	Sub-clause A.1
General Errors	Table A.2
Media Access Errors	Table A.3

ED NOTE: This command will incorporate changes from MtFuji2

6.1.16. READ DISC INFORMATION Command

It is not possible to completely characterize some incomplete CD-R/RW discs with the information from the READ TOC/PMA/ATIP command. The READ DISC INFORMATION Command provides information about all discs, including all incomplete CD-R/RW discs.

If a logical unit does not implement this command it shall respond with a CHECK CONDITION status.

Table 104 - READ DISC INFORMATION Command Descriptor Block

Bit Byte	7	6	5	4	3	2	1	0
0	Operation Code (51h)							
1	Reserved							
2	Reserved							
3	Reserved							
4	Reserved							
5	Reserved							
6	Reserved							
7	(MSB) Allocation Length (LSB)							
8								
9	Control Byte							

The number of Disc Information Block bytes returned is limited by the Allocation Length parameter of the CDB. An Allocation Length of zero is not an error.

The Disc Information Block has two parts; a static disc information area, as shown in Table 105, and an OPC response shown in Table 109.

The number of Disc Information bytes returned (Table 105) is limited by the Allocation Length parameter of the command packet. An Allocation Length of zero shall not be considered an error. If the Allocation Length is greater than the amount of available Disc Information Data, only the available data will be transferred.

Table 105 - Disc Information Block

Bit Byte	7	6	5	4	3	2	1	0
0	(MSB) Disc Information Length							
1	(LSB)							
2	Reserved			Erasable	State of last Session		Disc Status	
3	Number of First Track on Disc							
4	Number of Sessions							
5	First Track Number in Last Session							
6	Last Track Number in Last Session							
7	DID_V	DBC_V	URU	Reserved				
8	Disc Type							
9	Reserved							
10	Reserved							
11	Reserved							
12	(MSB)							
13	Disc							
14	Identification							
15	(LSB)							
16	(MSB)							
17	Last Session lead-in Start Time							
18	MSF							
19	(LSB)							
20	(MSB)							
21	Last Possible Start Time for Start of lead-out							
22	MSF							
23	(LSB)							
24	(MSB)							
...	Disc Bar Code							
31	(LSB)							
32	Reserved							
33	Number of OPC Table Entries							
34 - n	OPC Table Entries							

Data Length is the number of bytes available in both the recording information area and the appended OPC table. Data Length excludes itself.

Disc Status field indicates the status of the disc and is shown in Table 106

Table 106 - Disc Status

Status	Definition
00b	Empty disc
01b	Incomplete disc (Appendable)
10b	Complete (CD ROM or last session is closed and has no next session pointer)
11b	Reserved

The State of Last Session field is defined in Table 107.

Table 107 - State of Last Session

Session State	Definition
00b	Empty Session
01b	Incomplete Session
10b	Reserved
11b	Complete Session (only possible when Disc Status is Complete)

The Erasable bit, when set to one, indicates that CD-RW medium is present. Otherwise, CD-RW medium is not present.

The Number of First Track identifies the first track number in the TOC or PMA. Valid track numbers are from 01h to 63h. The first track number is not required to be one. A disc may start with any valid track number. The track numbers between the first and last track number shall be in contiguous ascending order, except for lead-out areas.

The Number of Sessions on the disc refers to all complete sessions plus any incomplete or empty sessions. A Blank Disc will always have a session count equal to one.

First Track Number in Last Session is the track number of the first track in the last session. This is inclusive of the invisible track.

Last Track Number in Last Session is the track number of the last track in the last session. This is inclusive of the invisible track.

The DID_V (Disc ID Valid) bit, when set to one, indicates that the Disc Identification field is valid.

The DBC_V (Disc Bar Code Valid bit, when set to one, indicates that the Disc Bar Code field (bytes 24 through 31) is valid.

The URU (Unrestricted Use Disc) bit, when set to one, indicates that the mounted CD-R/RW disc is defined for unrestricted use. When the Unrestricted Use Disc bit is set to zero, the mounted CD-R/RW disc is defined for restricted use. To record data to the mounted disc the appropriate Host Application code shall be set through the Write Parameters Page. A Host Application Code of zero may be used to indicate a restricted use disc - general purpose.

The Disc Type field specifies the type of data on the whole disc. A disc has only one disc type. The disc type shall be obtained from the PMA or from the A0/PSEC field in the TOC of the first session in which there is at least one data track, or is recorded together with disc ID in PMA.

In the case of a session that contains no data track (only audio), A0/PSEC field in the TOC of the session is always 00h regardless of actual disc type. For all disc, the disc type shall be determined from the following sequences:

- 1) Disc ID (Disc Type) as written in PMA.
- 2) From the first Complete Session that includes at least one data track.
- 3) From the first session of a Complete Disc.
- 4) The Disc type is NOT decided, the Disc Type field of Disc Information shall contain FF. (undefined)

Table 108 - Disc Type Field - PMA

Disc Type Code	Disc Type
00h	CD-DA or CD-ROM Disc
10h	CD-I Disc
20h	CD-ROM XA Disc
FFh	Undefined
All Other Values	Reserved

The Disc Identification number recorded in the PMA is returned. The Disc Identification Number is recorded in the PMA as a six-digit BCD number. It is returned in the Disc Information Block as a 32 bit binary integer.

The Last Session lead-in Start Time field is an address given in MSF format as defined in sub-clause **Error! Reference source not found.** This field shall specify the location of the next Lead-in to be recorded. If the disc is Empty as specified in the Disc Status field or has no Complete Session, then the Lead-in Start Time is returned as specified by ATIP. If the last session, which is second or greater, is Empty or Incomplete, this field shall specify the Lead-in Start Time of the Last Session. If the Disc Status is Complete, the Lead-in Start Time shall be FF/FF/FF MSF.

The Last Possible Start Time of lead-out field is an address given in MSF format as specified in sub-clause **Error! Reference source not found.** If the disc is a Complete disc, the Last Possible Start Time of Lead-out shall be FF/FF/FF MSF.

The Disc Bar Code field contains the Hex value of the bar code if the Logical Unit has the ability to read Disc Bar Code and a bar code is present. See **Table 230**.

An OPC (Optimum Power Calibration) Table is attached only if the values are known for the disc. Since OPC values are likely to be different for different recording speeds, each table entry is associated with a recording speed. The Number of OPC Table Entries indicates that [8 x (Number of OPC Table Entries)] bytes follow the first part of the Disc Information. This number shall be the same for all values of Allocation Length. The Number of OPC Table Entries will always be zero for CD-ROM discs and for CD-R/RW discs for which OPC have not yet been determined.

Table 109 - OPC Table Entry

0	Speed (kBytes per second)
1	
2	
3	
4	OPC
5	Values
6	
7	

Speed is in kBytes per second (see **Table 232**). See SEND OPC Command sub-clause 6.1.33.

The OPC Value field is associated with the speed specified in the speed field, and its content is vendor specific.

Table 110 - Recommended errors for READ DISC INFORMATION Command

Error	Reference
Deferred Errors	Sub-clause A.1
General Errors	Table A.2
Media Access Errors	Table A.3

ED NOT: This command will incorporate major changes from MtFuji2

6.1.17. READ DVD STRUCTURE Command

The READ DVD STRUCTURE command requests that the DVD Logical Unit transfer data from areas on the DVD Media to the Host Computer. There are several control structures on the DVD media, including the Lead-in and Burst Cutting Area (BCA). The Lead-in area for DVD media contain information about the media as well as information used by the Logical Unit to allow it to recover information from the media. The BCA for DVD media is optional which contents is specified by media manufacture.

Table 111 - READ DVD STRUCTURE Command

Bit Byte	7	6	5	4	3	2	1	0	
0	Operation Code (ADh)								
1	LUN			Reserved					
2	Reserved for RMD Block Number								
3									(MSB)
4									
5									(LSB)
6	Layer Number								
7	Format								
8	Allocation Length								
9									(MSB)
10	AGID		Reserved						
11	Control								

The Format field indicates the type of information that is requested be sent to the host.

The Layer Number field specifies the starting layer number for which the DVD STRUCTURE data will be returned.

The AGID field is described in the REPORT KEY command. This field is used only when the Format field contains 2h, for all other values it is reserved.

When a READ DVD STRUCTURE Command is presented for a CD media, this command shall be terminated with CHECK CONDITION status. The sense key shall be set to ILLEGAL REQUEST and the additional sense code set to INVALID COMMAND OPERATION CODE.

Table 112 - Format Code definitions for READ DVD STRUCTURE command

Format Code	Returned Data	Type or Feature	Layer Byte Usage	Description
00h	Physical	Mandatory	Layer Number	Returns information in the DVD Lead-in area
01h	Copyright	Mandatory	Layer Number	Returns the Copyright information from the DVD Lead-in area
02h	Disc Key	Key Exchange Feature	Reserved	Returns the Disc Key obfuscated by using a Bus Key
03h	ECA	Optional	Reserved	Returns the ECA information on DVD media
04h	Manufacture 's	Mandatory	Layer Number	Returns the Disc Manufacturing information from the DVD Lead-in area
05h-FFh				Reserved

Table 113 - READ DVD STRUCTURE Data Format (Format field = 00h)

Bit Byte	7	6	5	4	3	2	1	0	
0	(MSB) DVD STRUCTURE Data Length								
1								(LSB)	
2	Reserved								
3	Reserved								
DVD Lead-in Structure									
1 or more Layer Descriptors									

Table 114 - Layer Descriptor(s)

Bit Byte	7	6	5	4	3	2	1	0
0	(MSB) Length of Layer Information							
1	(LSB)							
2	Book Type				Book Version			
3	Disc Size				Minimum Rate			
4	Reserved	Number of Layers		Track Path	Layer Type			
5	Linear Density				Track Density			
6	00h							
7	(MSB) Starting Sector Number of Main Data (030000h)							
8								
9								
10	00h							
11	(MSB) End Sector of Main Data							
12								
13								
14	00h							
15	(MSB) End Sector Number in Layer 0							
16								
17								
18	BCA	Reserved						
19	Reserved							

The DVD STRUCTURE Data Length specifies the length in bytes of the following DVD STRUCTURE data that is available to be transferred to the Host. The DVD STRUCTURE Data Length value does not include the DVD STRUCTURE Data Length field itself.

The Length of Layer Information specifies the length in bytes of a Layer Information that follow.

This information is returned for DVD media Only. The information for the starting layer specified by the Layer Number field in the Command Packet and information for all higher layer numbers is returned. If there is only one layer then the only valid layer is layer 0. If a nonexistent layer is requested then the command shall be aborted with an INVALID FIELD IN THE COMMAND PACKET error. If the media has more than one layer, but is recorded using the Opposite Track Path method, then the same information shall be returned for all layers.

The Book Type field specifies which DVD Book this media complies with. Currently the only valid value is 0h for DVD-ROM.

The Book Version specifies the version of the specified book that this media complies with.

The Disc Size specifies the physical size of the Media. A value of 0000b specifies 120mm, a value of 0001b specifies a size of 80mm.

The Minimum Rate is used to specify to the Logical Unit the read rate to use for this media.

0000b 2.52 Mbps 0001b 5.04 Mbps 0010b 10.08 Mbps

The Number of Layers field specifies the number of layers for this side of the media. A value of 00b indicates that the media has only one layer. A value of 01b specifies that this side of the media has two layers. Currently only one and two layer discs are specified.

The Track Path bit specifies the direction of the layers when more than one layer is used. If the bit is cleared to 0 then this media uses Parallel Track Path (PTP). When PTP is used each layer is independent and has its own Lead-in and Leadoff areas on the media. If the bit is set to 1 then the media uses Opposite Track Path (OTP). With opposite track path both layers are tied together. There is only one Lead-in and Leadoff. In the middle of the media there is an area called the middle area. The addresses of blocks in one layer are mirrored in the other layer.

The Layer Type field read/writability of the layer. Only a value of 0 indicating that the media is read only is specified today.

The Linear Density field indicates the minimum/maximum pit length used for this layer.

0000b 0.267 $\mu\text{m/bit}$ 0001b 0.293 $\mu\text{m/bit}$

The Track Density field indicates the track width used for this media.

0000b 0.74 $\mu\text{m/track}$

The Starting Sector Number of Main Data field specifies the first block that contains user data. Currently the only valid value is 030000h.

The End Sector of Main Data field specifies the last sector of the user data in the last layer of the media.

The End Sector Number in Layer 0 field specifies the last sector of the user data in layer 0. If this media does not use Opposite Track Path and contain Multiple Layers, this value is set to 000000h.

The BCA flag indicates the presence of data in the Burst Cutting Area. A bit of zero indicates BCA data does not exist. a bit of one indicates BCA data does exist.

Table 115 - READ DVD STRUCTURE Data Format (Format field = 01h)

Bit Byte	7	6	5	4	3	2	1	0
0	(MSB) DVD STRUCTURE Data Length							(LSB)
1								
2	Reserved							
3	Reserved							
DVD Copyright Information								
Copyright Protection System Type								
Region Management Information								
Reserved								
Reserved								

The DVD STRUCTURE Data Length specifies the length in bytes of the following DVD STRUCTURE data that is available to be transferred to the Host. The DVD STRUCTURE Data Length value does not include the DVD STRUCTURE Data Length field itself.

The Copyright Protection System Type field indicates the presence of data structures specific to a copyright protection system. Only two values are defined, 00h indicates there is no such data and 01h indicates a specific data structure exists. All other values are reserved.

The Region Management Information field describes the regions in which the disc can be played. Each bit represents one of eight regions. If a bit is set in this field, the disc can be played in the corresponding region. If a bit is cleared in this field the disc can not be played in the corresponding region.

Table 116 - READ DVD STRUCTURE Data Format (Format field = 02h)

Bit Byte	7	6	5	4	3	2	1	0
0	(MSB) DVD STRUCTURE Data Length (LSB)							
1								
2	Reserved							
3	Reserved							
Disc Key Structures								
0	(MSB) DISC KEY Data (LSB)							
2047								

The DVD STRUCTURE Data Length specifies the length in bytes of the following DVD STRUCTURE data that is available to be transferred to the Host. The DVD STRUCTURE Data Length value does not include the DVD STRUCTURE Data Length field itself.

DISC KEY Value field returns the DISC KEY which is obfuscated by a Bus Key. The length of DISC KEY value is currently 2048 bytes only.

When the DISC KEY does not exist on DVD media, this command with Format = 02h shall be terminated with CHECK CONDITION status. The sense key shall be set to ILLEGAL REQUEST and the additional sense code set to COPY PROTECTION KEY EXCHANGE FAILURE - KEY NOT PRESENT.

When the DVD Logical Unit is not in the Bus Key state, this command with Format = 02h shall be terminated with CHECK CONDITION status. The sense key shall be set to ILLEGAL REQUEST and the additional sense code set to COPY PROTECTION KEY EXCHANGE FAILURE - KEY NOT ESTABLISHED.

Table 117 - READ DVD STRUCTURE Data Format (Format field =03h)

Bit Byte	7	6	5	4	3	2	1	0
0	(MSB) DVD STRUCTURE Data Length (LSB)							
1								
2	Reserved							
3	Reserved							
DVD BCA Structure								
0	(MSB) BCA Information (LSB)							
:								
:								
:								
n								

This Information is returned from BCA recorded DVD media only. The Length of BCA Information is in the range of 12 to 188 bytes.

When a READ DVD STRUCTURE Command with a format field value of 03h is presented for a DVD media without BCA, the command shall be terminated with CHECK CONDITION status. The sense key shall be set to ILLEGAL REQUEST and the additional sense code set to INVALID FIELD IN COMMAND PACKET.

Table 118 - READ DVD STRUCTURE Data Format (Format field = 04h)

Bit Byte	7	6	5	4	3	2	1	0
0	(MSB) DVD STRUCTURE Data Length							
1	(LSB)							
2	Reserved							
3	Reserved							
DVD Manufacturing's Structures								
0	Disc Manufacturing Information							
:								
:								
:								
2047								

The DVD STRUCTURE Data Length specifies the length in bytes of the following DVD STRUCTURE data that is available to be transferred to the Host. The DVD STRUCTURE Data Length value does not include the DVD STRUCTURE Data Length field itself.

The Disc Manufacturing Information is taken from the DVD media lead-in.

6.1.18. READ HEADER Command (Obsolete)

The READ HEADER command (Table 119) requests that the Logical Unit return the CD data block address header of the requested logical block.

Table 119 - READ HEADER Command Descriptor Block

Bit Byte	7	6	5	4	3	2	1	0
0	OPERATION CODE (44h)							
1	RESERVED			Reserved			MSF	Reserved
2	(MSB) Logical Block Address (LSB)							
3								
4								
5								
6	Reserved							
7	(MSB) Allocation Length (LSB)							
8								
9	Control							

If the MSF bit is zero, the read header LBA parameter list, see Table 120 defines the CD data block address header of the requested logical block. If the MSF bit is one, the read header MSF parameter list (see Table 122) defines the CD data absolute address of the requested logical block.

The logical block address field specifies the logical block where the read header operation shall begin. If the logical block size is other than the physical block size, it shall be mapped into the appropriate physical block from which the data would have been read.

The READ HEADER data format (Table 120) defines the CD data block address header of the requested logical block.

Table 120 - READ HEADER LBA data format

Bit Byte	7	6	5	4	3	2	1	0
0	CD Data Mode							
1	Reserved							
2	Reserved							
3	Reserved							
4	(MSB) Logical Block Address (LSB)							
5								
6								
7								

The CD data mode field specifies the CD-ROM data mode of the logical blocks in this sector of data. The values in this field are defined in Table 121.

Table 121 - CD Data Mode field

CD Data Mode	CD Sector Formats
00h	Mode 0 or Audio
01h	Mode 1
02h	Mode 2
03h - FFh	Reserved

See **Error! Reference source not found.** for the CD sector format definition.

Table 122 - READ HEADER MSF data format

Bit Byte	7	6	5	4	3	2	1	0
0	CD Data Mode							
1	Reserved							
2	Reserved							
3	Reserved							
4	Reserved							
5	M							
6	S							
7	F							

Table 123 - Recommended errors for READ HEADER command

Error	Reference
Deferred Errors	Sub-clause A.1
General Errors	Table A.2
Media Access Errors	Table A.3

6.1.19. READ MASTER CUE Command (Obsolete)

The READ MASTER CUE command reads the Mastering Information from a Master CD. Refer to RIAJ Standard, RIS 105-1994, Operation Rule of CD-R Master for CD.

Note: This document does not define any relationship between the master cue data and data sent with the Send Cue Sheet command.

Table 124 - READ MASTER CUE Command Descriptor Block

Bit Byte	Bit 7	Bit 6	Bit 5	Bit 4	Bit 3	Bit 2	Bit 1	Bit 0
0	Operation Code (59h)							
1	Reserved			Reserved				
2	Reserved							
3	Reserved							
4	Sheet Number							
5	Reserved							
6	(MSB) Allocation Length							
7								
8								
9	Control							

The Sheet Number values are shown in Table 125 below.

Table 125 - Sheet Number Values

Sheet Number	Content
00h	Disc Information
01h	Master Cue Sheet
02 ... FFh	Reserved

Allocation Length specifies the maximum number of bytes that are returned. Response data is terminated when allocation length bytes have been transferred or when all data have been transferred to the initiator, whichever is less. An Allocation Length of zero is not an error. If Allocation Length is zero, no data shall be transferred. The data read from the Master CD is transferred in the format shown in Table 126 below.

If no master cue sheet exists on the media, the Logical Unit shall return CHECK CONDITION status, INCOMPATIBLE MEDIUM INSTALLED.

Table 126 - Master CD response data format

Byte number	Byte 0	Byte 1	Byte 2	Byte 3	Byte 4	Byte 5	Byte 6	Byte 7
0	00h	00h	00h	00h	Sheet Length (byte)			
8	Contents of the Sheet							
...	...							

Table 127 - Recommended errors for READ MASTER CUE Command

Error	Reference
Deferred Errors	Sub-clause A.1
General Errors	Table A.2
Media Access Errors	Table A.3

6.1.20. READ RZONE INFORMATION Command

to be inserted

6.1.21. READ SUB-CHANNEL Command

The READ SUB-CHANNEL command (Table 128) requests that the Logical Unit return the requested sub-channel data plus the state of audio play operations.

NOTE: Sub-channel data returned by this command may be from the last appropriate sector encountered by a current or previous media accessing operation. When there is no current audio play operation, the Logical Unit may access the media to read the sub-channel data. The Logical Unit is responsible for ensuring that the data returned is current and consistent.

Table 128 - READ SUB-CHANNEL Command Descriptor Block

Bit	7	6	5	4	3	2	1	0
Byte								
0	OPERATION CODE (42h)							
1	RESERVED			Reserved			MSF	Reserved
2	Reserved	SUBQ	Reserved					
3	Sub-Channel Parameter List							
4	Reserved							
5	Reserved							
6	Track Number (Hex)							
7	(MSB)				Allocation			
8					Length (LSB)			
9	Control							

If the MSF bit is zero, the read header LBA parameter list, see Table 120 defines the CD data block address header of the requested logical block. If the MSF bit is one, the read header MSF parameter list (see Table 122) defines the CD data absolute address of the requested logical block.

The sub Q bit set to one requests that the Logical Unit return the Q sub-channel data. The sub Q bit set to zero requests that no sub-channel data be returned. See 6.1.21.1. This shall not be considered an error.

The sub-channel parameter list (Table 129) field specifies the returned sub channel data.

Table 129 - Sub-channel parameter list codes

Format Code	Returned Data
00h	Reserved
01h	CD current position
02h	Media Catalogue number (UPC/bar code)
03h	Track International standard recording code (ISRC)
04h - EFh	Reserved
F0h - FFh	Vendor specific

The Track Number field specifies the track number from which ISRC data is read. This field shall have a value between 01h and 63h (99 bcd), and is valid only when the sub-channel parameter list field is 03h. In this case, the Logical Unit returns ISRC data for this track. This field may contain 00h when the Format code is not 03h.

6.1.21.1. Sub-Channel Data Header

The Sub-Channel data header format (Table 130) is four bytes. If the Sub Q bit is zero, in the command, the Logical Unit shall return only the sub-channel data header. In this case, the sub-channel data length is 0.

Table 130 - Sub-Q Channel Data Header Format

Bit Byte	7	6	5	4	3	2	1	0
0	Reserved							
1	Audio Status							
2	(MSB)				Sub-Channel			
3	Data Length							(LSB)

The audio status field indicates the status of audio play operations. The audio status values are defined in Table 131. Devices which do not support audio play operations shall always report 00h.

For Logical Units which support audio operations: The initial value for audio status is 15h. Audio status values 13h and 14h return information on previous audio operations. When audio play stops due to an error and the IMMEDIATE bit in the CD Audio Control Page (see **Table 241**) is set to one, the Logical Unit shall report 14h in this audio status byte and shall report no deferred error.

Table 131 - Audio status codes

Status	Description
00h	Audio status byte not supported or not valid
01h - 10h	Reserved
11h	Audio play operation in progress
12h	Audio play operation paused
13h	Audio play operation successfully completed
14h	Audio play operation stopped due to error
15h	No current audio status to return
16h - FFh	Reserved

The sub-channel data length field specifies the length in bytes of the following sub-channel data block. A sub-channel data length of zero indicates that no sub-channel data block is included in the returned data. Sub-channel data length does not include the sub channel header.

6.1.21.2. Sub-Channel Data Format (01h), CD current position

Table 132 defines the response data format for the CD current position data format.

Table 132 - CD current position data format

Bit Byte	7	6	5	4	3	2	1	0
0	Sub-Channel Data Format Code (01h)							
1	ADR				CONTROL			
2	TRACK NUMBER							
3	INDEX NUMBER							
4	(MSB)				Absolute CD Address			
7								(LSB)
8	(MSB)				Track Relative CD Address			
11								(LSB)

The ADR field gives the type of information encoded in the Q sub-channel of this block, as shown in Table 133.

Table 133 - ADR Q sub-channel field

ADR Code	Description
00h	Q sub-channel mode information not supplied
01h	Q sub-channel encodes current position data (i.e., track, index, absolute address, relative address)
02h	Q sub-channel encodes media catalogue number
03h	Q sub-channel encodes ISRC
04h - 0Fh	Reserved

The control field is defined in Table 134.

The bits of the control field (except for the copy bit) can change during an actual pause (X=00) of at least 2 seconds and during the lead-in area only.

Table 134 - Q sub-channel control field

field	Definitions
00x0b	2 audio channels without pre-emphasis
00x1b	2 audio channels with pre-emphasis of 50/15 μ s
10x0b	audio channels without pre-emphasis (reserved in CD-R/RW)
10x1b	audio channels with pre-emphasis of 50/15 μ s (reserved in CD-R/RW)
01x0b	Data track, recorded uninterrupted
01x1b	Data track, recorded incremental
11xxb	reserved
xx0xb	digital copy prohibited
xx1xb	digital copy permitted

The Track Number field contains the current track number.

The Index Number field contains the current index number.

The Absolute CD Address field gives the current location relative to the logical beginning of the media. If the MSF bit, (Table 128) is zero, this field is an LBA. If the MSF bit is one, the address is MSF. See sub-clause **Error! Reference source not found.** for a definition of the MSF field.

The Track Relative CD Address field gives the current location relative to the logical beginning of the current track. If the MSF bit is zero, this field is a track relative LBA. (If the current block is in the pre-gap area of a track, this will be a negative value, expressed as a two's-complement number.) If the MSF bit in the CDB is set to one, this field is the relative MSF address from the Q sub-channel.

The control data and current position data is obtained from the Q sub-channel information of the current block. Identification data may be reported that was obtained from a previous block. If identification data is reported, the data shall be valid for the sector addressed by the current position data.

- a) If an audio play operation is proceeding in the background, position data for the last sector played shall be reported.
- b) In other cases, for instance after a READ command, the Logical Unit may either report position data for the last sector processed for that operation or may report position data from the sector at the current read head position.

Note: When the type of information encoded in the Q sub-channel of the current sector is the media catalog number or ISRC, the track, index, and address fields should be extrapolated from the previous sector.

6.1.21.3. Sub-Channel Data Format (02h), Media Catalogue Number

With a Sub-channel format code of 02h the data returned is the Media Catalog Number. The Media Catalog field contains the identifying number of this media is expressed in ASCII. A value in this field of all ASCII zeros indicates that the media catalogue number is not supplied. Table 135 defines the media catalogue number data format.

Table 135 - Media Catalogue Number data format

Bit Byte	7	6	5	4	3	2	1	0
0	Sub-Channel Data Format Code (02h)							
1	Reserved							
2	Reserved							
3	Reserved							
4	Media Catalogue Number (MCN)							
...								
...								
19								

If media catalogue number data is found, the MCVAl bit is set to one. If MCN data is not detected, the MCVAl bit is set to zero to indicate the media catalogue number field is invalid.

Media Catalogue Number (see Table 136) data returned in bytes 4 through 19 by this command with sub-channel data format field code 02h may be from any block that has MCN Q sub-channel data. See **Error! Reference source not found.** and sub-clause **Error! Reference source not found.**

Table 136 - MCN Format of Data Returned

Byte	Char	Bit 7	Bit 6	Bit 5	Bit 4	Bit 3	Bit 2	Bit 1	Bit 0
0		MCVAL	Reserved						
1	N1	N1 (Most significant)							
2	N2	N2							
3	N3	N3							
...							
12	N12	N12							
13	N13	N13 (Least significant)							
14		Zero							
15		AFRAME							

All Nxx bytes are ASCII.

The MCVAl bit when set to one, indicates the Media Catalog Number field is valid.

Zero field shall return 00h.

AFRAME may return the frame number in which the MCN was found. This shall be a value from 00h to 4Ah. All other values are reserved.

6.1.21.4. Sub-Channel Data Format (03h), Track International Standard Recording Code

The track ISRC field contains the identifying number of this media according to the ISRC standards (DIN-31-621) expressed in ASCII. Table 137 defines the track international standard recording code data format. A unique ISRC may exist for each track.

Table 137 - Track International Standard Recording Code data format

Bit Byte	7	6	5	4	3	2	1	0
0	Sub-Channel Data Format Code (03h)							
1	ADR				CONTROL			
2	Track Number							
3	Reserved							
4	(MSB)							
19	Track International Standard Recording Code (ISRC)							
	(LSB)							

If ISRC data is detected, the TCVAL bit (see Table 138) is set to one. If ISRC data is not detected, the TCVAL bit is set to zero to indicate the ISRC field is invalid.

The ADR (Table 133) and Control fields (Table 134) shall be returned from the ADR and Control fields on the media.

The Track Number shall indicate the track for which the ISRC was requested.

Track ISRC data (see Table 138) may be from any block in the specified track that has ISRC data. When ADR field is 3 (0011), it is used to assign a unique number to an audio track. This is done by means of the ISRC which is 12 characters long (represented by I1 to I12, see **Error! Reference source not found.** and sub-clause **Error! Reference source not found.**). The ISRC shall only change immediately after the TNO has been changed.

ISRC data returned is encoded as ASCII characters. The format of the data is defined in Table 138.

Table 138 - ISRC Format of Data Returned

Byte	Char	Bit 7	Bit 6	Bit 5	Bit 4	Bit 3	Bit 2	Bit 1	Bit 0
0		TCVAL	Reserved						
1	I1	I1 (Country Code)							
2	I2	I2							
3	I3	I3 (Owner Code)							
4	I4	I4							
5	I5	I5							
6	I6	I6 (Year of Recording)							
7	I7	I7							
8	I8	I8 (Serial Number)							
9	I9	I9							
10	I10	I10							
11	I11	I11							
12	I12	I12							
13		Zero							
14		AFRAME							
15		Reserved							

All bytes are specified in ASCII. The following translation is specified for Logical Units:

ASCII	Hex	MEDIA
'0' - '9'	30h - 39h	00 - 09h
'@' - 'o'	40h - 6Fh	10h - 3Fh

The following codes shall be valid for the above fields (Table 138):

- a. Country Code: 'A' - 'Z' (41h - 5Ah)
- b. Owner Code: '0' - '9' and 'A' - 'Z' (30h - 39h, 41h - 5Ah)
- c. Year of Recording: '0' - '9' (30h - 39h)
- d. Serial Number: '0' - '9' (30h - 39h)

Zero field shall return 00h.

AFRAME may return the frame number in which the MCN was found. This shall be a value from 00h to 4Ah. All other values are reserved.

Table 139 - Recommended errors for READ SUB-CHANNEL command

Error	Reference
Deferred Errors	Sub-clause A.1
General Errors	Table A.2
Media Access Errors	Table A.3
AUDIO PLAY OPERATION IN PROGRESS	Table A.1
AUDIO PLAY OPERATION PAUSED	Table A.1
AUDIO PLAY OPERATION SUCCESSFULLY COMPLETED	Table A.1
AUDIO PLAY OPERATION STOPPED DUE TO ERROR	Table A.1
NO CURRENT AUDIO STATUS TO RETURN	Table A.1

6.1.22. READ TOC/PMA/ATIP Command

The READ TOC/PMA/ATIP Command (Table 140) requests that the Logical Unit transfer data from the Table of Contents, the Program Memory Area (PMA), and the Absolute Time in Pre-Grove (ATIP).

Table 140 - READ TOC/PMA/ATIP Command Descriptor Block

Bit Byte	7	6	5	4	3	2	1	0	
0	OPERATION CODE (43h)								
1	Reserved			Reserved			MSF	Reserved	
2	Reserved				Format				
3	Reserved								
4	Reserved								
5	Reserved								
6	Track/Session Number (Hex)								
7	(MSB)	Allocation Length							
8								(LSB)	
9	Control								

See sub-clause **Error! Reference source not found.** for a description of the MSF bit.

The Format field is defined in Table 141.

Table 141 - Format Field

Format field	Return Data	Optional/ Mandatory	Description	Track/ Session field Usage
0000b	TOC	M	The Track/Session Number field specifies starting track number for which the data will be returned. For multi-session discs, this command will return the TOC data for all sessions and for Track number AAh only the lead-out area of the last complete session. See Table 143.	Track Number
0001b	Session Info	M	This format returns the first complete session number, last complete session number and last complete session starting address. In this format, the Track/Session Number field is reserved and should be set to 00h. NOTE: This format provides the initiator access to the last finalized session starting address quickly. See Table 144.	Reserved
0010b	Full TOC	M	This format returns all Q sub-code data in the lead-in(TOC) areas starting from a session number as specified in the Track/Session Number field. In this mode, the drive will support Q Sub-channel POINT field value of A0h, A1h, A2h, Track numbers, B0h, B1h, B2h, B3h, B4h, C0h, and C1h. See Table 145.	Session Number
0011b	PMA	O	This format returns all Q sub-code data in the PMA area. In this format, the Track/Session Number field is reserved and shall be set to 00h. See Table 149.	Reserved
0100b	ATIP	O	This format returns ATIP data. In this format, the Track/Session Number field is reserved and shall be set to 00h. See Table 150.	Reserved
All Other Format Codes			Reserved.	Reserved

The Track/Session Number field specifies the starting track number for which the data shall be returned. The data is returned in contiguous ascending track number order. A value of AAh requests that the starting address of the lead-out area be returned. If this value is zero, the Table of Contents data shall begin with the first track or session on the medium.

If the Track/Session Number field is not valid for the currently installed medium, the command shall be terminated with CHECK CONDITION status. The sense key shall be set to ILLEGAL REQUEST and the additional sense code set to INVALID FIELD IN CDB.

When a Read TOC/PMA/ATIP command is presented for a CD-R/RW media, where the first TOC has not been recorded (no complete session) and the Format codes 0000b, 0100b, or 1000b are specified, this command shall be rejected with an INVALID FIELD in COMMAND PACKET. Devices that are not capable of reading an incomplete session on CD-R/RW media shall report NOT READY, MEDIA FORMAT NOT COMPATIBLE.

6.1.22.1. READ TOC Response parameter list, general definition

The response parameter list (see Table 3) indicates the general description of the response data to the Read TOC/PMA/ATIP command. Each descriptor field is format specific and is defined in the appropriate format sub-clause.

Table 142 - READ TOC/PMA/ATIP parameter list, general definition

Bit Byte	7	6	5	4	3	2	1	0
0	(MSB) Data Length							
1	(LSB)							
2	First Track/Session/Reserved Field(Hex)							
3	Last Track/Session/Reserved Field(Hex)							
Parameter List Descriptor(s)								
0	Descriptor data , format specific							
:								
:								
n								

The Data Length indicates the length, in bytes, of the parameter list descriptor data.

The Track/Session/Reserved Field is format specific and indicates the location, if any, of the information in the parameter list descriptors.

Descriptor data fields are format specific. The definitions of the bytes are described in each format sub-clause.

6.1.22.2. TOC/PMA/ATIP Response Data Format 0000b

The response data consist of four header bytes and zero or more track descriptors. The response data is dependent upon the format specified in the format field of the CDB. The response data returned for Format 0000b is specified in Table 143.

Table 143 - READ TOC/PMA/ATIP response data (Format = 0000b)

Bit Byte	7	6	5	4	3	2	1	0
0	(MSB) TOC Data Length							
1	(LSB)							
2	First Track Number(Hex)							
3	Last Track Number(Hex)							
TOC Track Descriptor(s)								
0	Reserved							
1	ADR				CONTROL			
2	Track Number(Hex)							
3	Reserved							
4	(MSB)							
Logical Block Address								
7	(LSB)							

The TOC data length indicates the length in bytes of the following TOC data. The TOC data length value does not include the TOC data length field itself. This value is not modified when the allocation length is insufficient to return all of the TOC data available.

The First Track Number field indicates the first track number in the first complete session Table of Contents.

The Last Track Number field indicates the last track number in the last complete session Table of Contents before the lead-out.

The ADR field gives the type of information encoded in the Q sub-channel of the block where this TOC entry was found. The possible ADR values are defined in Table 133.

The Control Field indicates the attributes, of the track, see Table 134.

The Track Number field indicates the track number for which the data in the TOC track descriptor is valid. A track number of AAh indicates that the track descriptor is for the start of the lead-out area.

The Logical Block Address contains the address of the first block with user information for that track number as read from the Table of Contents. An MSF bit of zero indicates that the Logical Block Address field contains a logical block address. An MSF bit of one indicates the Logical Block Address field contains an MSF address (see sub-clause 4.1.6).

6.1.22.3. TOC/PMA/ATIP Response Data Format 0001b

The response data returned for Format 0001b is specified in Table 144.

Table 144 - READ TOC/PMA/ATIP response data (Format = 0001b)

Bit Byte	7	6	5	4	3	2	1	0
0	(MSB) TOC Data Length							
1	(LSB)							
2	First Complete Session Number (Hex)							
3	Last Complete Session Number (Hex)							
TOC Track Descriptor								
0	Reserved							
1	ADR				CONTROL			
2	First Track Number In Last Complete Session (Hex)							
3	Reserved							
4	(MSB)							
	Logical Block Address of First Track in Last Session							
7	(LSB)							

The TOC Data Length specifies the length in bytes of the available session data. The TOC Data Length value does not include the TOC Data Length field itself. This value is not modified when the allocation length is insufficient to return all of the session data available.

The First Complete Session Number is set to one.

The Last Complete Session Number indicates the number of the last complete session on the disc. The Last Complete Session Number shall be set to one for a single session disc or if the Logical Unit does not support multi-session discs.

The ADR field gives the type of information encoded in the Q sub-channel of the block where this TOC entry was found. The possible ADR values are defined in Table 133.

The Control Field indicates the attributes of the track. The possible control field values are defined in Table 134.

First Track Number In Last Complete Session returns the first track number in the last complete session.

The Logical Block Address contains the address of the first block with user information for the first track of the last session, as read from the Table of Contents. An MSF bit of zero indicates that the Logical Block Address field contains a logical block address. An MSF bit of one indicates the Logical Block Address field contains an MSF address (see sub-clause **Error! Reference source not found.**).

6.1.22.4. TOC/PMA/ATIP Response Data Format 0010b

The response data returned for Format 0010b is specified in Table 145.

Table 145 - READ TOC/PMA/ATIP response data (Format = 0010b)

Bit Byte	7	6	5	4	3	2	1	0
0	(MSB) TOC Data Length							
1	(LSB)							
2	First Complete Session Number (Hex)							
3	Last Complete Session Number (Hex)							
TOC Track Descriptor(s)								
0	Session Number (Hex)							
1	ADR				CONTROL			
2	TNO							
3	POINT							
4	Min							
5	Sec							
6	Frame							
7	Zero							
8	PMIN							
9	PSEC							
10	PFRAME							

Multiple TOC Track Descriptors may be returned.

For Format field of 1000b, the Logical Unit shall return TOC data for Q sub-channel modes 1 and 5 (except mode 5, point 1 through 40) in the lead-in area.

The TOC Data Length specifies the length in bytes of the available TOC data. The TOC Data Length value does not include the TOC Data Length field itself. This value is not modified when the allocation length is insufficient to return all TOC data available.

The First Complete Session Number shall be set to one.

The Last Complete Session Number indicates the number of the last complete session on the disc. The Last Complete Session Number is set to one for a single session disc or if the Logical Unit does not support multi-session discs.

The ADR field gives the type of information encoded in the Q sub-channel of the block where this TOC entry was found. The possible ADR values are defined in Table 133.

The Control Field indicates the attributes of the track. The possible control field values are defined in Table 134.

Entries in bytes 2 through 10 of the descriptors (TNO, POINT, MIN, SEC, FRAME, Zero) shall be converted to hex by the Logical Unit if the media contains a value between 0 and 99bcd. For definition of these byte see Table 146.

The returned TOC data of a multi-session disc is arranged in ascending order of the session number with duplicates removed. The TOC data within a session is arranged in the order of Q Sub-channel POINT field value of A0h, A1h, A2h, Track Numbers, B0h, B1h, B2h, B3h, B4h, C0h, and C1h.

The TOC Track Descriptor format in the lead-in area of the TOC is described in Table 146.

Table 146 - TOC Track Descriptor Format, Q sub-channel

CTRL	ADR	TNO (hex)	POINT (hex)	MIN (hex)	SEC (hex)	FRAME (hex)	ZERO (hex)	PMIN (hex)	PSEC (hex)	PFRAME (hex)
4 or 6	1	00	01-63	ATIME (Absolute time)			00	Start position of track		
4 or 6	1	00	A0	ATIME (Absolute time)			00	First Track Number	Disc Type	00
4 or 6	1	00	A1	ATIME (Absolute time)			00	Last Track Number	00	00
4 or 6	1	00	A2	ATIME (Absolute time)			00	Start position of lead-out		
4 or 6	5	00	B0	Start time of next possible program in the Recordable Area of the disc			# of pointers in Mode 5	Maximum start time of outer-most lead-out area in the Recordable Area of the disc		
4 or 6	5	00	B1	00	00	00	00	# of skip interval Pointers (N<=40)	# of skip Track Pointers (N<=21)	00
4 or 6	5	00	B2-B4	Skip #	Skip #	Skip #	Skip #	Skip #	Skip #	Skip #
4 or 6	5	00	01-40	Ending time for the interval that should be skipped			Resrv'd	Start time for interval that should be skipped on playback		
4 or 6	5	00	C0	optimum recording power	Reserved	Reserv'd	Reserved	Start time of the first lead-in Area of the disc		
4 or 6	5	00	C1	Copy of information from A1 point in ATIP.						

All of the TOC Track Descriptors, in Table 146, are further define in sub-clause found. The POINT Field (Table 147) defines various types of information within the TOC lead-in area.

Table 147 - POINT Field

ADR	POINT Field	Description
1	01-63h	Track number references
1	A0h	First Track number in the program area
1	A1h	Last Track number in the program area
1	A2h	Start location of the lead-out area
5	01-40h	Skip Interval Pointers
5	B0h	Used to Identify a Multi-session Disc (Photo CD) Contains start time of next possible program area
5	B1h	Number of skip interval pointers & Skip track assignments
5	01-40h	Skip Interval Pointers
5	B2-B4h	Skip Track Assignment Pointers
5	C0h	Start time of first lead-in area of disc (This only exists in the first lead-in area)
5	C1h	Copy of information from additional area 1 in ATIP.

The Disc Type field (see Table 148) indicates the type of disc inserted.

Table 148 - Disc Type Byte Format

Value	Description
00h	CD-DA or CD Data with first track in Mode 1
10h	CD-I disc
20h	CD data XA disc with first track in Mode 2

The definition for the Control Field in the Q sub-channel is in Table 134. See **Error! Reference source not found.**

6.1.22.5. TOC/PMA/ATIP Response Data Format 0011b

The response data returned for Format 0011b is specified in Table 149.

Table 149 - READ TOC/PMA/ATIP response data (Format = 0011b)

Bit Byte	7	6	5	4	3	2	1	0
0	(MSB) PMA Data Length							
1	(LSB)							
2	Reserved							
3	Reserved							
PMA Descriptor(s)								
0	Reserved							
1	ADR				CONTROL			
2	TNO							
3	POINT							
4	Min							
5	Sec							
6	Frame							
7	Zero							
8	PMIN							
9	PSEC							
10	PFRAME							

Multiple PMA Descriptors may be returned.

The returned PMA descriptors are arranged in the order found in the PMA, with duplicates removed.

The PMA Data Length indicates the length in bytes of the available PMA data. The PMA Data Length value does not include the PMA Data Length field itself. This value is not modified when the allocation length is insufficient to return all PMA data available. This value is set to 2 plus eleven times the number of descriptors read.

Entries in bytes 2 through 10 of the descriptors (TNO, POINT, MIN, SEC, FRAME, Zero) shall be converted to hex by the Logical Unit if the media contains a value between 0 and 99bcd. For definition of these bytes see Table 146. The TOC Track Descriptors are further defined in sub-clause **Error! Reference source not found.**

6.1.22.6. TOC/PMA/ATIP Response Data Format 0100b

The response data returned for Format 0100b is specified in Table 150.

Table 150 - READ TOC/PMA/ATIP response data (Format = 0100b)

Bit	7	6	5	4	3	2	1	0
0	(MSB) ATIP Data Length							
1	(LSB)							
2	Reserved							
3	Reserved							
ATIP Descriptor								
4	1	Indicative Target Writing Power			Reserved	Reference Speed		
5	0	URU	Reserved					
6	1	Disc Type	Disc Sub-Type			A1	A2	A3
7	Reserved							
8	ATIP Start Time of lead-in (Min)							
9	ATIP Start Time of lead-in (Sec)							
10	ATIP Start Time of lead-in (Frame)							
11	Reserved							
12	ATIP Last Possible Start Time of lead-out (Min)							
13	ATIP Last Possible Start Time of lead-out (Sec)							
14	ATIP Last Possible Start Time of lead-out (Frame)							
15	Reserved							
16	0	Lowest Usable CLV Recording Speed			Highest Usable CLV Recording Speed			
17	0	Power Multiplication Factor p			Target y value of the Modulation/Power function			Reserved
18	1	Recommended Erase/Write Power Ratio (P_{eo}/W_{eo})			Reserved			
19	Reserved							
20-22	A2 Values							
23	Reserved							
24-26	A3 Values							
27	Reserved							

ATIP Data Length specifies the number of bytes to be transferred in response to the command. The ATIP Data Length value does not include the data length field itself. This value is not modified when the allocation length is insufficient to return all of the ATIP data available.

Indicative Target Writing Power Field - encoded information indicating the media's recommended initial laser power setting. The meaning of these bits varies between CD-R and CD-RW media.

Reference Speed Field - encoded information indicating the recommended write speed for the media. 00h = reserved. 01h - 2X recording, 02h-07h are reserved. Valid only for CD-RW media.

The URU (Unrestricted Use Disc) bit, when set to one, indicates that the mounted CD-R/RW disc is defined for unrestricted use. When the Unrestricted Use Disc bit is set to zero, the mounted CD-R/RW disc is defined for restricted use. To record data to the mounted disc the appropriate Host Application code shall be set through the Write Parameters Page. A Host Application Code of zero may be used to indicate a restricted use disc - general purpose.

Disc Type - zero indicates CD-R media; one indicates CD-RW media.

Disc Sub-Type - shall be set to zero.

A1 - when set to one, indicates that bytes 16-18 are valid.

A2 - when set to one, indicates that bytes 20-22 are valid.

A3 - when set to one, indicates that bytes 24-26 are valid.

ATIP Start time of Lead-in (min, sec, frame) - the start time of the lead-in. The value is read from ATIP and returned in hex format. Legal values for the M field are 50h through 63h.

ATIP Last Possible Start Time of Lead-out (min, sec, frame) - the last possible start time of lead-out. The value is read from ATIP and returned in hex format. Valid values for the M field are 0 through 4Fh.

Lowest Usable CLV Recording Speed (see Table 77) - valid only when A1 = 1.

Table 151 - Lowest CLV Recording Speeds

Value	Recording Speed
000b	Reserved
001b	2X
010b - 111b	Reserved

Highest Usable CLV Recording Speed - valid only when A1 = 1.

Table 152 - Highest CLV Recording Speeds

Value	Recording Speed
000b	Reserved
001b	2X
010b	4X
011b	6X
100b	8X
101b - 111b	Reserved

The following fields reported as recorded in ATIP, contain information that is beyond the scope of this standard.

Power Multiplication Factor p field.

Target y value of the Modulation/Power function field.

Recommended Erase/Write Power Ratio (P_{eo}/W_{eo}) field.

A2 Values - Reserved

A3 Values - Reserved

Table 153 - Recommended errors for READ TOC/PMA/ATIP Command

Error	Reference
Deferred Errors	Sub-clause A.1
General Errors	Table A.2
Media Access Errors	Table A.3
AUDIO PLAY OPERATION IN PROGRESS	Table A.1

ED NOTE: This command will have major changes from MtFuji2

6.1.23. READ TRACK INFORMATION Command

The READ TRACK INFORMATION Command provides information about a track, regardless of its status.

Table 154 - READ TRACK INFORMATION Command Descriptor Block

Bit	7	6	5	4	3	2	1	0
Byte								
0	Operation Code (52h)							
1	Reserved							Track
2	(MSB) Logical Block Address/ Track Number (LSB)							
3								
4								
5								
6	Reserved							
7	(MSB) Allocation Length (LSB)							
8								
9	Control Byte							

The Track bit in byte 1 is used to specify the contents of bytes 2 through 5 of the CDB. If the Track bit is set to zero, then bytes 2 through 5 contain a Logical Block Address. If the Track bit is set to one, then bytes 2 through 5 contain a track number.

The Logical Block Address/Track Number field, Bytes 2 through 5 are defined in Table 155.

Table 155 - Track Number/LBA Field definition

Track Bit	Logical Block Address/Track Number	Track Number Used for Track Information
0	Logical Block Address	T_{LBA} , where T_{LBA} is the number of the track which contains the block associated with Logical Block Address.
1	T_{CDB} , a valid track number	T_{CDB}
1	FFh	T_{INV} , where T_{INV} is the track number of the invisible track

The number of Track Information Block bytes returned is limited by the Allocation Length parameter of the CDB. An Allocation Length of zero is not an error.

The format and content of the Track Information Block is shown in Table 156.

Table 156 - Track Information Block

Bit Byte	7	6	5	4	3	2	1	0
0	(MSB) Data Length (LSB)							
1								
2	Track Number							
3	Session Number							
4	Reserved							
5	Reserved		Damage	Copy	Track Mode			
6	RT	Blank	Packet	FP	Data Mode			
7	Reserved							NWA_V
8	(MSB) Track Start Address (LSB)							
9								
10								
11								
12	(MSB) Next Writable Address (LSB)							
13								
14								
15								
16	(MSB) Free Blocks (LSB)							
17								
18								
19								
20	(MSB) Fixed Packet Size (LSB)							
21								
22								
23								
24	(MSB) Track Size (LSB)							
25								
26								
27								

Data length field specifies the length, in bytes, of the requested data to be transferred in response to the command. The data length value does not include the data length field itself. If the Allocation length specified is less than the data length, the response shall be truncated at the allocation length specified. This truncation shall not cause a Check Condition status to be presented. The Data Length is not modified when the allocation length is insufficient to return all of the response data available.

Track Number is the track number for all of the information in this structure.

Session Number is the number of the session containing this track.

The Copy bit indicates that this track is a second or higher generation copy.

The Damage bit, when set to one, and the NWA_V is set to zero, the track shall be considered "not closed due to an incomplete write." An automatic repair may be attempted by the drive when the CLOSE TRACK/SESSION command is

issued. The Damage bit, when set to one, and the NWA_V is set to one, an automatic repair may be attempted by the drive when the next command that requires writing to the track is issued. If the repair is successful, the Damage bit shall be set to zero.

Track Mode is the control nibble as defined for mode 1 Q sub-channel for this track. See **Error! Reference source not found.** and Table 134

If the RT bit is zero, then the track is not reserved, otherwise the track is reserved. Reserved indicates that a PMA entry indicating the track's start and end addresses exists.

The Blank bit, when set to one, indicates that the track contains no written data. Tracks with the Track Descriptor Block recorded shall not be considered blank.

The Packet bit is valid only when the RT bit is set to one or the track indicated is the incomplete track. The Packet bit, when set to one, indicates that this track is to be written only with packets.

The FP (Fixed Packet) bit is valid only when the Packet bit is set to one. When the Packet bit is set to one and the FP bit is also set to one, then the track is to be written only with fixed packets. When the Packet bit is set to one and the FP bit is set to zero, then the track is to be written only with variable packets.

When writing, certain parameters may be set via the write parameters page. The state of the track determines what parameters must be set and which parameters in the mode page must match. Required Write Parameters are defined in Table 157.

Table 157 - Write Parameter Restrictions due to Track State

RT	Blank	Packet	Write Parameter Restrictions
0	0	0	Can't write to stamped disc, or during track at once on invisible track, or writing session at once mode
0	0	1	Write type set to packet; all parameters common to READ TRACK INFO and the write parameters mode page must match.
0	1	0	Write type may be set to packet or TAO. All other parameters shall be changeable. If this track is the first track of a Session, then Session at Once is allowed.
0	1	1	Invalid State
1	0	0	Can't write to recorded track or during track at once on reserved track.
1	0	1	Write type set to packet; all parameters common to READ TRACK INFO and the write parameters mode page must match.
1	1	0	Write type set to TAO. Track mode set to same as READ TRACK INFO. Copy bit may be set only if copyright bit in track mode is clear. All other common parameters must match.
1	1	1	Write type set to Packet. Track mode set to same as READ TRACK INFO. Copy bit may be set only if copyright bit in track mode is clear. FP and packet size are changeable. All other common parameters must match.

When RT, Blank and Packet bits are set to one, FP bit of a Read Track Information result data is set to zero.

Table 158 - Track Status Indications

RT	Blank	Packet	FP	Write Method	Track Status
0	0	0		Uninterrupted/TAO/SAO	Complete/During TAO/SAO
0	0	1	0	Variable	Incomplete
0	0	1	1	Fixed	Incomplete
0	1	0	0	TAO/Variable/Fixed(*)	Invisible
0	1	1	0	-	(invalid)
0	1	1	1	-	(invalid)
1	0	0		TAO	Complete/During TAO
1	0	1	0	Variable	Complete/Partially Recorded Reserve
1	0	1	1	Fixed	Complete/Partially Recorded Reserve
1	1	0	-	TAO	Empty Reserved
1	1	1	0	Variable/Fixed	Empty Reserved
1	1	1	1	-	(invalid)

* In case last session is empty, SAO is also valid.

Data Mode defines the track content. Data Mode is defined in Table 159.

Table 159 - Data Mode

Value	Definition
1	Mode 1 (ISO/IEC 10149)
2	Mode 2 (ISO/IEC 10149 or CD-ROM XA)
Fh	Data Block Type unknown (no track descriptor block)
0, 3 - Eh	Reserved

If NWA_V is zero, then the next writable address field is not valid. Otherwise the next writable address field is valid. NWA_V shall be set to zero if the track is not writable for any reason.

The Track Start Address is the starting address for the specified track.

The Next Writable Address, if valid, is the LBA of the next writable user block in the track specified by the LBA/Track Number field in the CDB. Next Writable Address shall be associated with the RT, Blank, Packet and FP bits as defined in Table 160. If the write type is Raw, the Next Writable Address may be a negative number as required to point to the start of the first lead-in (see Table 207). When streaming in any write type, the Next Writable Address shall be the next user data block the drive expects to receive if no underrun occurs.

Table 160 - Next Writable Address Definition

RT	Blank	Packet	FP	NWA_V	Definition
0	0	0	-	0 *4	LBA that shall be specified by next write command *2
0	0	1	0	1 *1	LBA that shall be specified by next write command *2
0	0	1	1	1 *1	LBA that shall be specified by next write command *2, *3
0	1	0	0	1	LBA of the first data block after pre-gap *5
0	1	1	0	-	-
0	1	1	1	-	-
1	0	0	-	0 *4	LBA that shall be specified by next write command *2
1	0	1	0	1 *1	LBA that shall be specified by next write command *2
1	0	1	1	1 *1	LBA that shall be specified by next write command *2, *3
1	1	0	-	1	LBA of the first data block after pre-gap
1	1	1	0	1	LBA of the first data block after pre-gap
1	1	1	1	-	-

*1 - When "Free Blocks" is 0 (data full), NWA_V is 0.

*2 - NWA shall be taken account of data blocks in buffer that has not yet been written to media. If the drive can write the data of next write command without interrupting of current data streaming(no underrun condition), NWA shall be contiguous to last address data in buffer. If WCE in Mode Cache Page is zero, NWA shall be taken account of Link Blocks (2 Run-out blocks, 1 Link block and 4 Run-out blocks) in case of Addressing Method-1.

*3 - NWA shall follow the Addressing Method-2 if Method-2 bit in Mode CD Capabilities and Mechanical Status Page is set to one.

*4 - During TAO (SAO), NWA_V is 1.

*5 - In the case of SAO NWA shall be the first block after lead-in for the first track of session.

The Free Blocks field represents the maximum number of user data blocks available for recording in the track. This field shall be computed as follows: First, the Available Track Space (ATS) shall be computed. For the invisible track, $ATS = (StartTimeofLastPossibleLead - out) - NWA + 5$. For a reserved track, $ATS = (PMAStopTime) - NWA + 5$. If

the track is reserved for, or written with, fixed packets, $FreeBlocks = IP\left(\frac{ATS}{PacketSize + 7}\right) \cdot PacketSize$. Otherwise,

$$FreeBlocks = ATS - 7$$

Note: The StartTimeofLastPossibleLead-out is the last possible location of the link block at the start of the lead-out. If a disc is fully recorded, the PMA entry for the last track will be equal to the StartTimeofLastPossibleLead-out.

Addressing within fixed packet written tracks is translated by the drive for reading and writing. The NWA shall also reflect this translation: $NWA_{Method2} = NWA_{Method1} - 7 \cdot IP\left(\frac{NWA_{Method1} - TrackStartAddress}{PacketSize + 7}\right)$. Method 1 is the physical address. Method 2 is used on fixed packet written tracks to hide the link areas from the initiator. The TrackStartAddress is always a physical address, even if prior tracks are recorded with Method 2. IP() is the integer part of the value.

The Fixed Packet Size is valid only when the Packet and the FP bits are both set to one.

If the disc is stamped, then DAMAGE = 0, BLANK = 0, RT = 0, and NWA_V = 0.

Track Size is the number of user data blocks in the track. The track size shall be computed as follows: First, compute the Complete Track Size (CTS). For an incomplete track,

$CTS = (StartTimeofLastPossibleLeadout) - PMATrackStart + 5$. For a reserved track,

$CTS = (PMAStopTime) - PMAStartTime + 5$. If the track is reserved for, or written with, fixed packets,

$$TrackSize = IP\left(\frac{CTS}{PacketSize + 7}\right) \bullet PacketSize . \text{ Otherwise, } TrackSize = CTS - 7$$

NOTE: Read Track Information shall provide certain valid fields for a disc with the Unrecordable status: Track Number, Session Number, Track Mode, Data Mode, Track Start Address.

NOTE: The Track Size number may not be exact for the tracks that do not have a PMA entry.

Table 161 - Recommended errors for READ TRACK INFORMATION Command

Error	Reference
Deferred Errors	Sub-clause A.1
General Errors	Table A.2
Media Access Errors	Table A.3

6.1.24. REPAIR RZONE Command

to be inserted

6.1.25. REPAIR TRACK command (Obsolete)

A track which has been defined for packet writing may be damaged due to an incomplete packet at the end of written data. This may be caused by a RESET or a power-fail condition during a packet write. The REPAIR TRACK (Table 162) command will fill a fixed length packet to its correct user data length and add run-outs. Variable length packets will simply be completed with run-outs. The user data in the repaired packet must be rewritten as the repaired packet is not readable. The recovery indicated here only allows the track to become writable again.

Table 162 - REPAIR TRACK Command Descriptor Block

Bit Byte	7	6	5	4	3	2	1	0
0	Operation Code (58h)							
1	Reserved							
2	Reserved							
3	Reserved							
4	Reserved							
5	Track Number							
6	Reserved							
7	Reserved							
8	Reserved							
9	Control Byte							

The Track Number specifies the track which requires repair.

Behavior of this command with non-packet written tracks is vendor specific.

Table 163 - Recommended errors for REPAIR TRACK Command

Error	Reference
Deferred Errors	Sub-clause A.1
General Errors	Table A.2
Media Access Errors	Table A.3
Write Errors	Table A.4

6.1.26. REPORT CONFIGURATION Command

Feature Set proposal Presented by Philips at May MMC II meeting

ED Note: This revision of the following document was modified at the Fuji2 meeting on morphing held at WD on May 27, 1997. Items underlined are additions to the basic document.

As of July 15, 1997 HP will provide new command definitions.

The REPORT CONFIGURATION command requests that the device respond with the current configuration of the device and medium. This command is intended to provide information to the initiator about the overall capabilities of the device and the current capabilities of the medium installed. The maximum number of feature sets is 65,536; the maximum number of bytes that a device may return to describe its features sets is 65,536.

When the features or configuration changes, a unit attention of some sort shall be issued to the host system. The host at that time should issue this command to determine the "current" configuration of the device.

The device shall always report feature set descriptors for every feature set supported by the device, even if the currently installed media does not support the given feature set. Both static and dynamic information shall be returned.

Table 164 - REPORT CONFIGURATION Command Descriptor Block

Bit	7	6	5	4	3	2	1	0
0	Operation code (??h)							
1	Reserved							<u>Current</u>
2	MSB Feature Set Number							
3	LSB							
4	Reserved							
5	Reserved							
6	Reserved							
7	Reserved							
8	(MSB) Allocation_Length							
9	(LSB)							
10	Reserved							
11	Control							

When the Current bit is set to zero, the device shall report all of the Feature sets that are implemented by the device. When the Current bit is set to one, only those features that are active are reported. See Table 5.

Note: Feature Sets may be tied to the media installed in the device. However, it may be possible for a Feature Set to be available and one of the commands of the Feature Set may fail, ie: a CD-R that is full.

The Feature Set field contains the identifying value of the feature set. When the Current bit is set to zero and the Feature Set field is equal to zero, the device shall report all of the Feature Sets that are implemented by the device. If the Current bit is set to zero and the Feature Set field is set to some value, only the response data for that feature set is reported.

The Allocation Length field specifies the maximum length in bytes of the read configuration list. An Allocation Length field of zero indicates that no data shall be transferred. This condition shall not be considered an error. An Allocation

Length that results in the truncation of the Configuration Header shall result in a Check condition with a sense code of INVALID PARAMETER IN CDB. ED NOTE: check for proper codes and names

The Report Configuration Parameter list (Table 165) returned contains a header, followed by zero or more fixed-length Feature Set Tables.

Table 165 - Report Configuration Parameter List

Bit Byte	7	6	5	4	3	2	1	0
0-7	Report Configuration Header							
8-n	Feature Set Table(s)							

The Report Configuration Header field (Table 166) defines the first eight bytes of the parameter list response. The Report Configuration Header shall always be returned if the Allocation Length field contains a value other than zero.

Table 166 - Report Configuration Header

Bit Byte	7	6	5	4	3	2	1	0
0	(MSB) Medium Type (LSB)							
1								
2								
3								
4								
5	(LSB)							
6	(MSB) Length of Feature Sets (LSB)							
7								
8 - n	Feature Set Tables (1-n)							

The Medium Type Codes are defined in Table 167. Medium Type Codes allows an initiator to be able to differentiate between different types of media inserted in the device. The field is constructed as a union of the attributes of the media. It is useful for associating icons with a device and its medium or determining the default file system for an unwritten medium.

Table 167 - Medium Type Codes

Bit Code	Medium Attribute
000000000001 ₁₆	Rotating
000000000002 ₁₆	Streaming
000000000004 ₁₆	Fixed
000000000008 ₁₆	Removable
000000000010 ₁₆	Magnetic
000000000020 ₁₆	Optical
000000000040 ₁₆	Paper
000000000080 ₁₆	Plastic
000000000100 ₁₆	Read Only
000000000200 ₁₆	Write Once
000000000400 ₁₆	Read and Write
000000000800 ₁₆	Limited Read and Write Cycles
000000001000 ₁₆	CD
000000002000 ₁₆	DVD
000000004000 ₁₆	Audio
000000008000 ₁₆	Video
000000010000 ₁₆	Earth
000000020000 ₁₆	Wind
000000040000 ₁₆	Fire
000000080000 ₁₆	Water
000000010000 ₁₆ -800000000000 ₁₆	Reserved

When the Allocation Length field is 8, Length of Feature Sets shall be the number of bytes that should be used in the Allocation Length field to read all feature sets. When the Allocation Length field is greater than 8, Length of Feature Sets shall be the number of bytes that has been returned.

Table 168 - Feature Set Table Response Format

Bit Byte	7	6	5	4	3	2	1	0
0	Feature Set Code							
1								
2	Active	Reserved	Revision					
3	Additional Feature Length							

The Feature Set Code field contains a value that identifies the specified Feature Set. The values that are assigned to the feature set are shown in Table 6.

Table 169 - Feature Set Code definition

Feature Set Code	Feature Set
1	Core Device
2	Core Block Device
3	Power Management
4	Failure Analysis (SMART)
5	Event Status Notification
6	Embedded Changer
7	Removable
8	Analog I/O
9	Content I/O
10	CDROM
11	CDR
12	CDRW
13	DVD-ROM
14	DVD-R
15	DVD-RAM
16	DVD Key Management
17	Core Sequential
18	Core A/V Streaming

The Active bit, indicates that the Feature Set is available in the current configuration. Feature Sets that have been identified as active shall not report a NOT READY condition or ILLEGAL COMMAND FOR THIS MEDIA.

The Revision field provides the current revision number of the feature set.

The Additional Feature Length field indicates the number of additional feature set specific bytes that follow. Minimum number of bytes shall be four and larger transfers shall be in quadlets.

6.1.27. REPORT KEY Command

to be inserted

6.1.28. RESERVE TRACK Command

The RESERVE TRACK Command allows reservation of disc space for a track. A PMA entry for the track shall be either written or cached for writing prior to disc removal.

Table 170 - RESERVE TRACK Command Descriptor Block

Bit	7	6	5	4	3	2	1	0								
Byte																
0	Operation Code (53h)															
1	Reserved															
2	Reserved															
3	Reserved															
4	Reserved															
5	(MSB)															
6									Reservation Size							
7																
8																
9	Control Byte															

The Reservation Size field contains the number of user blocks desired for the track reservation. The actual number of blocks allocated shall be according to the Write Parameters Mode Page. The PMA start time shall reflect the appropriate pre-gap, as determined by the previous track's mode and the settings of the Write Parameters mode page. Table 171 specifies the PMA stop time:

Table 171 - Track reservation sizing

Write Parameters Page Write Type Value	PMA Stop Time
Session-at-once	CHECK CONDITION status is returned and sense is set to ILLEGAL REQUEST, COMMAND SEQUENCE ERROR
Track-at-once	Reserves the number of user blocks specified. The PMA stop time shall be $PMAStart + ReservationSize + 2$
Variable Packet	Reserve behaves as in track-at-once.
Fixed Packet	Set $p = \frac{ReservationSize}{PacketSize}$ packets, where packet size is taken from the Write Parameters Mode Page. If p is an integer, then the reservation is performed and the PMA stop time shall be $PMAStart + (PacketSize + 7) \cdot p - 5$. Otherwise, the reservation is not performed, CHECK CONDITION status is returned, and sense is set to ILLEGAL REQUEST, INVALID FIELD IN COMMAND PACKET. Enough space for reservation size user data packets shall be reserved.

The invisible track is known to have track number N+1 only because the track number of the track immediately preceding it has track number N. Tracks shall only be reserved from the beginning of the invisible track. Each track prior to the invisible track has a track number defined in the PMA. After the reservation is done, the track number given to the new track is the current track number of the invisible track. The number of the invisible track is increased by one following a reservation.

If the Reservation Size is smaller than four seconds, excluding pre-gap length, the drive shall return CHECK CONDITION status and sense set to 05/24/00 Invalid Field in CDB.

Reserving shall be allowed when the track is invisible. Attempting to reserve an existing incomplete track shall cause a CHECK CONDITION status, ILLEGAL REQUEST, COMMAND SEQUENCE ERROR. Attempting to reserve a track when the invisible track is partially recorded shall cause a CHECK CONDITION status, ILLEGAL REQUEST, COMMAND SEQUENCE ERROR.

Reserving a track when the Write Type is set to packet (See **Table 219**) shall cause the TDB to be written.

Table 172 - Recommended errors for RESERVE TRACK Command

Error	Reference
Deferred Errors	Sub-clause A.1
General Errors	Table A.2
Media Access Errors	Table A.3
Write Errors	Table A.4

6.1.29. RESERVE RZONE Command

To be inserted

6.1.30. SCAN Command

The scan command requests a fast-forward or fast-reverse scan operation starting from the Scan Starting Address. The Logical Unit shall respond to this command by scanning all the way to the end of the last audio track on the media.

Like the PLAY AUDIO command, the SCAN command shall terminate the scan at the last audio track or upon receipt of a STOP PLAY/SCAN command. Upon receipt of the STOP PLAY/SCAN command the Logical Unit shall set the current address to the last address of data read from the media by the scan operation. Subsequent Audio Play commands shall cause the Logical Unit to begin playing at the location last output by the SCAN command. If the drive receives a PAUSE/RESUME Command with the resume bit clear, the drive shall pause. After that, if the drive receives a PAUSE/RESUME Command with the resume bit set, the drive shall resume audio play, not scan, from the address where the audio pause occurred.

If the drive receives a SCAN command during play or pause, the drive shall stop play or pause and perform Scan.

If the drive encounters a data track, it shall terminate the scan.

Upon receipt of a READ SUB-CHANNEL Command during scan, the drive shall return an Audio Status of 11h (Audio Play operation in Progress).

The initiator is required to issue PLAY AUDIO command immediately following a STOP PLAY/SCAN command to resume the play audio operation at normal speed.

Table 173 - SCAN Command Descriptor Block

Bit Byte	7	6	5	4	3	2	1	0
0	OPERATION CODE (BAh)							
1	Reserved		Direct	Reserved			RELADR	
2	(MSB) Scan Starting Address Field (LSB)							
3								
4								
5								
6								
7	Reserved							
8	Reserved							
9	Type		Reserved					
10	Reserved							
11	Control							

If the DIRECT bit is set to zero, the Logical Unit shall perform a fast-forward scan operation. A DIRECT bit of one causes a fast-reversed scan operation.

The RELADR bit shall be set to zero.

The Scan Starting Address specifies the address at which the audio fast scan operation shall begin. The Type field specifies the format of the address contained in the Scan Starting Address Field. Table 174 describes the type field bits.

Table 174 - Type field bit definitions

Bits 7-6	Address Type
0 0	Logical block address format
0 1	MIN, SEC, and FRAME format (MSF)
1 0	Track Number (TNO) format
1 1	Reserved

With a Type field of 00h the Scan Starting address field specified in command bytes 2-5 are defined in Table 175.

Table 175 - Scan starting address field format-logical blocks

Bit Byte	7	6	5	4	3	2	1	0
2	(MSB) Scan Starting Logical Block Address Field (LSB)							
3								
4								
5								

With a Type field of 01h, bytes 2-5 specify the MSF address of the starting sector. See Table 176 below.

Table 176 - Scan Starting Address format - MIN, SEC, FRAME format

Bit Byte	7	6	5	4	3	2	1	0
2	Reserved							
3	CD-Absolute Time (MIN)							
4	CD-Absolute Time (SEC)							
5	CD-Absolute Time (FRAME)							

The MIN, SEC and FRAME fields specify the relative running time from the beginning of the disc. The MIN field has a range of 00d to 99d (00h to 63h). The SEC field ranges from 00d to 59d (00h to 3Bh). The FRAME field has a range of 00h to 74d (00h to 4Ah). All MSF fields shall be binary

With a Type field of 10h, bytes 2 - 5 specify a starting address of a specific Track Number (TNO). See Table 177 below

Table 177 - Scan Starting Address Format-Track Number (TNO)

Bit Byte	7	6	5	4	3	2	1	0
2	Reserved							
3	Reserved							
4	Reserved							
5	Track Number							

The track number field specifies the track number in binary at which the scan operation will begin. This field has a range of 01h to 63h.

Table 178 - Recommended errors for SCAN operation

Error	Reference
Deferred Errors	Sub-clause A.1
General Errors	Table A.2
Media Access Errors	Table A.3

6.1.31. SEND CUE SHEET Command

A Session-at-once recording is written beginning with the lead-in and continuing through the lead-out. Only user data will be sent with the write commands, so a guide structure is required by the CD-R/RW Logical Unit in order to control the recording process. This guide structure is called the cue sheet. The cue sheet is constructed in the initiator and sent to the Logical Unit.

Table 179 - SEND CUE SHEET Command Descriptor Block

Bit	7	6	5	4	3	2	1	0	
Byte									
0	Operation Code (5Dh)								
1	Reserved								
2	Reserved								
3	Reserved								
4	Reserved								
5	Reserved								
6	Cue Sheet Size								
7									(MSB)
8									(LSB)
9									Control Byte

The Cue Sheet Size parameter is the number of bytes in the cue sheet to be sent to the Logical Unit. The entire cue sheet must be received by the Logical Unit prior to beginning the write process. If the Logical Unit cannot accept and buffer the entire cue sheet, then CHECK CONDITION is returned and sense is set to ILLEGAL REQUEST, INVALID FIELD IN COMMAND DESCRIPTOR BLOCK.

If the Write Parameters Mode Page does not have Write Type set to Session-at-once, then CHECK CONDITION status is returned and sense key is set to ILLEGAL REQUEST, COMMAND SEQUENCE ERROR.

If the Write Mode in the Write Parameter Mode page, is changed from session at once, the Q sheet may not be available.

6.1.31.1. CUE SHEET FORMAT

The Cue Sheet contains information required to specify the layout of a disc to be written, and must be sent to the drive via the SEND CUE SHEET command before writing data to the disc.

The Cue Sheet format is shown in Table 180.

Table 180 - Cue Sheet format

Byte Number	Cue Sheet Data
0	Mixture of
...	Information of absolute disc location, catalogue Code,
(m-1)* 8	and ISRC (total m lines)

If the Catalogue Code is to be recorded, it shall be described at the beginning of the Cue sheet.

If the ISRC is to be recorded, it shall be described immediately preceding each Track's information in the Cue Sheet.

For the Cue sheet, the lead-out start time shall be the last entry.

6.1.31.2. Information of the absolute disc location

The drive writes a disc according to this information. This information defines the following parameters:

1. Generation of Sub-channel P and Q channel.
2. Format and block size of the data transferred by the WRITE command

Table 181 - Sample CUE SHEET

Byte Number (Hex)	CTL/ ADR (hex)	TNO (hex)	INDEX (hex)	DATA FORM (hex)	SCMS (hex)	ABSOLUTE TIME		
						MIN	SEC	FRAME
00 (lead-in)	01 *5	00	00 *1	01 *5	00	00 *1	00 *1	00 *1
08 (TNO:01)	01	01	00	01	00	00	00	00
10 (TNO:01) *2	01	01	01	00	00	00	02	00
18 (TNO:02)	01	02	00	C0	00	07	29	71
20 (TNO:02)	01	02	01	C0	00	07	31	71
28 (TNO:03)	01	03	01	C0	00	14	18	03
30 (TNO:04) *4	41	04	00	10	00	19	06	62
38 (TNO:04)	41	04	01	10	00	19	09	62
40 (TNO:05) *4	41	05	00	11	00	27	37	10
48 (TNO:05)	41	05	01	10	00	27	40	10
50 (TNO:06)	01	06	00	01	80 *6	38	53	23
58 (TNO:06)	01	06	01	00	80 *6	38	55	23
60 (lead-out)	01 *5	AA	01 *3	01 *5	00	56	37	46

All numbers are Hex.

NOTES:

- 1) Always zero for lead-in.
- 2) The first information track on a disc is preceded by a pause encoding of 2-3 seconds. (If the first track is a Data track, this track does not contain pause encoding, but always contains a "pause" of 2 seconds of pre-gap).
- 3) Always 01h for lead-out
- 4) Pre-gap
- 5) For the lead-in and lead-out area the DATA FORM shall be one. For lead-in, data form and control mode of the first track is specified. For lead-out, data form and control mode of last track is specified automatically. All data for both lead-in and lead-out shall be generated by the drive.
- 6) Copy

This information is composed of data units of 8 bytes (1 line). The information consists of three parts:

- 1) The lead-in area, and contains only one data unit.
- 2) The Program area, that contains data units.
- 3) The lead-out area, and contains one or more data units.

The data units in Program Area and lead-out area are in Absolute Time order from the start time of index = 0 of the first track of the session.

Each data unit of Program area and lead-out area indicates that the value of each field (CONTROL, TNO, X, DATA FORM or ZERO) changes at the time shown in ABSOLUTE TIME field.

Table 182 - Cue Sheet Data

CTL/ ADR (hex)	TNO (hex)	INDEX (hex)	DATA FORM (hex)	SCMS (hex)	ABSOLUTE TIME		
					Min	Sec	Frame
01	02	01	C0	00	07	31	71
01	03	01	C0	00	14	18	03

The above data unit indicates that the value of TNO changes from 02 to 03 when ABSOLUTE TIME is 14/18/03 MSF.

6.1.31.2.1. Control/Address Field

The CTL/ADR byte contains the Control field in the upper 4 bits and the ADR in the lower 4 bits. Refer to Table 183.

Table 183 - CTL/ADR byte

7	6	5	4	3	2	1	0
CTL Field				ADR Field			

6.1.31.2.2. CTL Field(upper 4 bits)

The CTL (Control) field contains 4 bits that define the kind of information in a track. The definition is shown in Table 184.

Table 184 - Control Field

Bit 7	Bit 6	Bit 5	Bit 4	Definition
0	0	x	0	2 audio channels without pre-emphasis
1	0	x	0	4 audio channels without pre-emphasis
0	0	x	1	2 audio channels with pre-emphasis of 50/15 μ s.
1	0	x	1	4 audio channels with pre-emphasis of 50/15 μ s.
0	1	x	0	Data track
x	x	0	x	digital copy prohibited
x	x	1	x	digital copy permitted

The bits of the Control field (except for the copy bit) shall only be changed during an actual pause (Index = 00) of at least 2 seconds and during lead-in area.

6.1.31.2.3. ADR Field(lower 4 bits)

Table 185 defines the codes found in the ADR Field

Table 185 - ADR Field

Bit 3	Bit 2	Bit 1	Bit 0	Definition
0	0	0	1	start time at TNO/IDX
0	0	1	0	CATALOG CODE
0	0	1	1	ISRC CODE

All other codes are reserved for future use.

Control must be the same for each entry associated with a particular track except for first part of pre-gap.

6.1.31.2.4. TNO

The TNO field indicates track number expressed in HEX. Each track has a minimum length of 4 seconds, not including the pause length preceding the track.

6.1.31.2.5. INDEX Field

The index number expressed in HEX. The drive supports only 00h ~ 63h.

6.1.31.2.6. DATA FORM

Table 186 defines the data form byte.

Table 186 - Data Form Byte

7	6	5	4	3	2	1	0
Data Form of Sub-channel		Data Form of Main Data					

6.1.31.2.7. SCMS (Serial Copy Management System)

Bit 7 of data form of 1 indicates that Copy bit of CONTROL field alternates for Serial Copy Management System (see Table 187). The other 7 bits (Reserved) are zero This bit is effective if Copy bit of the Control Code is zero.

Table 187 - SCMS Byte

7	6	5	4	3	2	1	0
Alternate Copy bit	Reserved						

6.1.31.2.8. DATA FORM OF MAIN DATA

The DATA FORM OF MAIN DATA field specifies the format of the main data to be sent by a WRITE command to write on the disc. Currently available data formats are 1.) CD-DA, 2.) CD-ROM mode 1, 3.) CD-ROM XA, and CD-I. For lead-in and lead-out area data are generated automatically.

6.1.31.2.9. CD-DA Data Form

Figure 17 defines a CD-DA Data Form for one frame.

Data Form	Data of One Frame	Data Size
00h	2352	2352
01h	2352	0

Figure 17 - CD (CD-DA)

The CD-DA data format, Table 188, is as follows;

Table 188 - CD-DA Data format (1 Sample)

Bit Byte	7	6	5	4	3	2	1	0
n*4+0 (L ch)	L7	L6	L5	L4	L3	L2	L1	L0
n*4+1 (L ch)	L15	L14	L13	L12	L11	L10	L9	L8
n*4+2 (R ch)	R7	R6	R5	R4	R3	R2	R1	R0
n*4+3 (R ch)	R15	R14	R13	R12	R11	R10	R9	R8

n = 0,1, .. ,587

1 Second = 75 Frames

1 Frame = 588 Samples

1 Sample = 4 bytes (16 bits L, Rch)

6.1.31.2.10. CD-ROM mode 1 Form

Figure 18 defines the form for CD-ROM mode 1.

Data Form	Sync/ Header	Data of One Frame	EDC/ECC Area	Data Size
10h	16 *2	2048 *1	288 *2	2048
11h	16 *3	2048 *1	288 *3	2352
12h	16 *2	2048 *3	288 *2	2048
13h	16 *3	2048 *3	288 *3	2352
14h	16 *2	2048 *2	288 *2	0

Figure 18 - CD-ROM mode 1

6.1.31.2.11. CD-ROM XA, CD-I Form

Figure 19 defines the form for CD-ROM XA, CD-I.

Data Form		Sync/ Header	Sub Header	Data of One Frame	EDC/ECC Area	Data Size
20h	Form 1	16 *2	8 *1	2048 *1	280 *3	2336
	Form 2	16 *2	8 *1	2324 *1	4 *3	2336
21h	Form 1	16 *3	8 *1	2048 *1	280 *3	2352
	Form 2	16 *3	8 *1	2324 *1	4 *3	2352
22h	Form 1	16 *2	8 *1	2048 *3	280 *3	2336
	Form 2	16 *2	8 *1	2324 *3	4 *3	2336
23h	Form 1	16 *3	8 *1	2048 *3	280 *3	2352
	Form 2	16 *3	8 *1	2324 *3	4 *3	2352
24h	Form 1	NA	NA	NA	NA	NA
	Form 2	16 *2	8 *2	2324 *2	4 *2	0

Figure 19 - CD-ROM XA, CD-I

Reserved Area: The Reserved Area contains 4 bytes that are reserved for quality control during the disc production process. In case of Generate Zero, the drive generates zero data of 4 bytes for this area.

6.1.31.2.12. CD-ROM mode 2

Figure 20 defines the form for CD-ROM mode 2.

Data Form	Sync/ Header	Data of One Frame	Data Size
30h	16 *2	2336 *1	2336
31h	16 *3	2336 *1	2352
32h	16 *2	2336 *3	2336
33h	16 *3	2336 *3	2352
34h	16 *2	2336 *2	0

Figure 20 - CD-ROM Mode 2

Notes for all forms:

1. Read Buffer: The data is sent by the initiator.
2. Generate Data: The drive generates the data in this area. The initiator shall not send the data for this area. All sectors in the program area shall have an associated write, even if all data for the sector is to be generated by the drive. Zero bytes shall be transferred for such sectors.
3. Ignore Buffer: The drive receives the data for this area from the initiator with Write command. However, the drive ignores the data and generates data for this area.

6.1.31.3. Data Form of Sub-Channel

The DATA FORM OF SUB-CHANNEL (Table 189) field specifies the format of the sub-channel data stored in the inner buffer by WRITE command to write on the disc.

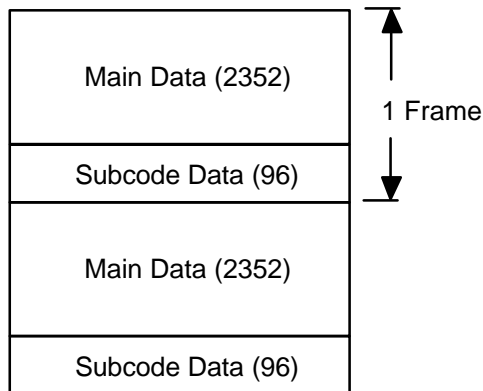
Table 189 - Data Form of Sub-channel

Data Form		Data of One Frame				Data Size
Bit 7	Bit 6					
0	0	96 *1				0
0	1	96 *2				96
1	0	Reserved				
1	1	24 Pack *3	24 Pack *3	24 Pack *3	24 Pack *3	96

Notes:

- 1) Generate zero data
- 2) RAW Data
- 3) PACK DATA, Initiator sends packed data. The drive writes R-W. The drive calculates and overwrites ECC, and performs Interleaving for each PACK.

The Sub-channel data is placed at the end of each Frame of main data. Figure 21 shows the relationship of Main Data and sub-channel data.



Data transferred by WRITE command

Figure 21 - Location of Sub-channel Data

The P and Q sub-channel information contained within the Sub-code Data shall be ignored. The P and Q sub-channel information is generated by the drive and based on the content of the cue sheet.

6.1.31.4. Absolute Time

The time shown at Min, Sec, and Frame gives the changing point of the CONTROL, TNO, X, DATA FORM or SCMS field. These values are given in absolute time scale.

6.1.31.5. Session Format

The Session Format is used for the identification of the type of disc. Refer to Table 223.

6.1.31.6. Pre-gap

If a Data track is preceded by a different mode of track (such as an audio track) or if the mode number of CD-ROM changes, this Data track starts with an extended pre-gap. A pre-gap is placed at the head of a Data track, also is belonging to the Data track. A pre-gap does not contain actual user data. The pre-gap is encoded as "pause."

An extended pre-gap is divided into two parts. The first part of the extended pre-gap has a minimum 1 second of data, and it is encoded according to the data structure of previous track. The second part has a minimum 2 seconds data, and this data track is encoded according to the same data structure as the other parts.

6.1.31.7. Post-gap

If a Data track is followed by another kind of track (such as an audio track), this Data track ends with a post-gap. A post-gap is placed at the end of a Data track, and is part of the Data Track. A post-gap does not contain actual user data. The minimum length of post-gap is 2 seconds. The drive does not perform any action for a Post-gap.

6.1.31.8. Catalog Number

Table 190, Catalog Number, indicates the catalog number of a disc. The number uses UPC/EAN-code (BAR coding). If no catalog number is used, it shall be omitted. The format is as follows;

Table 190 - Catalog Number (N1..N13)

CTL/ ADR	Catalog Number						
Byte 0	Byte 1	Byte 2	Byte 3	Byte 4	Byte 5	Byte 6	Byte 7
02h	N1	N2	N3	N4	N5	N6	N7
02h	N8	N9	N10	N11	N12	N13	00h

N1-N13 Catalog Number

CTL: 4 bits are zero.

ADR: 0010b

Catalog Number: ASCII 13 BYTES

6.1.31.9. ISRC

Table 191, ISRC (International Standard Recording Code), is a code that is given to CD-DA tracks. If no ISRC is used, it shall be omitted. If a track has no ISRC, it is not written in the Cue Sheet.

Table 191 - ISRC (I1..I12)

CTL/ ADR	ISRC(International Standard Recording Code)						
byte 0	byte 1	byte 2	byte 3	byte 4	byte 5	byte 6	byte 7
x3h	TNO	I1	I2	I3	I4	I5	I6
x3h	TNO	I7	I8	I9	I10	I11	I12

CTL: 4 bits of Control code are the same as that of disc location of the specified track

ADR: 0011b

TNO: Track number in HEX.

12 letters ISRC (On the Cue Sheet, I1-I12 must be described by valid ASCII characters. See **Error! Reference source not found.** for valid codes.

I1-I2: Country Code

I3-I5: Owner Code

I6-I7: Year of recording

I8-I12: Serial Number

Table 192 - Recommended Sense Key, ASC and ASCQ SEND CUE SHEET Command

Error	Reference
Deferred Errors	A.1
General Errors	Table A.2

Errors in mixed case indicate all errors in that class.

Errors in upper case refer to a specific error

6.1.32. SEND KEY Command

The SEND KEY command provides data necessary for authentication and for generating a Bus Key for the DVD Logical Unit.

This command, in conjunction with REPORT KEY command, is intended to perform authentication for Logical Units which conform to DVD Copy Protection scheme and to generate a Bus Key as the result of authentication.

Table 193 - SEND KEY Command

Bit Byte	7	6	5	4	3	2	1	0
0	Operation Code (A3h)							
1	LUN			Reserved				
2	Reserved							
3	Reserved							
4	Reserved							
5	Reserved							
6	Reserved							
7	Reserved							
8	(MSB) Parameter List Length (LSB)							
9								
10	AGID			Key Format				
11	Control							

The KEY Format field indicates the type of information that is requested to be sent to the host.

The AGID field is described in the REPORT KEY command.

Table 194 - Key Format Code definitions for SEND KEY command

Key Format	Sent Data	Description
000001b	Challenge Key	Send Challenge Key
000011b	KEY2	Send a KEY2
111111b		Invalidate Specified AGID
All other values		Reserved

Table 195 - SEND KEY Parameter List (KEY Format field =00001b)

Bit Byte	7	6	5	4	3	2	1	0
0	(MSB) SEND KEY Parameter List Length (0Eh)							
1	(LSB)							
2	Reserved							
3	Reserved							
Challenge Key Value								
0	(MSB)							
:	Challenge Key Value							
9	(LSB)							
10	Reserved							
11	Reserved							

Challenge Key is sent to the DVD Logical Unit to get corresponding KEY1 from the DVD Logical Unit to interrogate conformity with DVD Copy Protection scheme.

Table 196 - SEND KEY Parameter List (KEY Format field =000011b)

Bit Byte	7	6	5	4	3	2	1	0
0	(MSB) SEND KEY Parameter List Length (0Ah)							
1	(LSB)							
2	Reserved							
3	Reserved							
KEY2								
0	(MSB)							
:	Challenge Key Value							
4	(LSB)							
5	Reserved							
6	Reserved							
7	Reserved							

The KEY2, generated external to the DVD Logical Unit, is sent to the DVD Logical Unit to determine its conformity with DVD Copy Protection scheme. The KEY 2 value will be used for the second input to generate a Bus Key in the DVD Logical Unit.

When the KEY2 value sent does not conform with the DVD Copy Protection scheme, this command shall be terminated with an CHECK CONDITION status. The sense key shall be set to ILLEGAL REQUEST and the additional sense code & qualifier set to COPY PROTECTION KEY EXCHANGE FAILURE - AUTHENTICATION FAILURE.

Implementers Note: When the SEND KEY command with KEY Format = 000011b terminates with CHECK CONDITION status, the retry of authentication shall be performed from the beginning.

6.1.33. SEND OPC INFORMATION Command

This command is used to restore the Optimum Power Calibration (OPC) (Table 197) values to the drive for a specific disc. It is used in combination with the READ DISC INFORMATION command (sub-clause 6.1.16.).

Table 197 - SEND OPC INFORMATION Command Descriptor Block

Bit	7	6	5	4	3	2	1	0
0	Operation Code (54h)							
1	Reserved			Reserved			DoOpC	
2	Reserved							
3	Reserved							
4	Reserved							
5	Reserved							
6	Reserved							
7	(MSB) Parameter List Length							
8	(LSB)							
9	Control							

The Parameter List Length must be set to reflect the number of the parameter bytes to be transferred. The minimum number of bytes to transfer is eight (8): 2 byte OPC Speed and 6 bytes of OPC value. This can be extended with a second OPC Speed and Value. In this case the length is 16. See sub-clause 6.1.16. for more information.

The DoOpC bit, when is set to one, indicates the drive shall perform an OPC operation to set the OPC values for the current speed. These OPC values shall become current. A Parameter List may be sent to indicate an initial value of OPC. When the bit is set to zero, the Logical Unit sets OPC values to those sent in the Parameter List.

A Parameter List Length field of zero shall not be considered an error condition.

The initiator shall transfer one or more OPC table entries(see Table 109). The transfer length shall be 8X (the number of OPC table entries).

The format of the OPC Response Data to be transferred is shown in Table 198.

Table 198 - SEND OPC INFORMATION Parameter List

Bit	7	6	5	4	3	2	1	0
0	(MSB) OPC Speed in kBytes per Second							
1	(LSB)							
2	(MSB)							
3	OPC Value							
4								
5								
6								
7								

Table 199 - Recommended errors for SEND OPC INFORMATION Command

Error	Reference
Deferred Errors	Sub-clause A.1
General Errors	Table A.2
Media Access Errors	Table A.3
Write Errors	Table A.4

6.1.34. SET C/DVD SPEED Command (Obsolete)

The SET C/DVD SPEED (Table 200) command provides a means for the initiator to set the spindle speed to be used while reading CD data. Note that PLAY commands will not use the speed set by this command.

Table 200 - SET C/DVD SPEED Command Descriptor Block

Bit Byte	7	6	5	4	3	2	1	0
0	OPERATION CODE (BBh)							
1	Reserved				Reserved			
2	(MSB) Drive Read Speed (Kbytes/sec)							
3	(LSB)							
4	(MSB) Drive Write Speed (Kbytes/sec) (CD-R/RW only)							
5	(Reserved for CD-ROM) (LSB)							
6	Reserved							
7	Reserved							
8	Reserved							
9	Reserved							
10	Reserved							
11	Control							

The Drive Read Speed and Write Speed parameters contain the requested Data rates the drive should use. The Logical Unit may choose to select the speed specified or any slower rate. A value of FFFFh will set the Drive Read Speed or the Drive Write Speed to the maximum supported. Requesting a speed faster than the drive supports shall not generate an error. The actual speed set is returned in the Capabilities Mode Sense page. (See Table 230).

Table 201 - Recommended errors for SET C/DVD SPEED Command

Error	Reference
Deferred Errors	Sub-clause A.1
General Errors	Table A.2
Media Access Errors	Table A.3

6.1.35. SET READ AHEAD Command

to be inserted

6.1.36. STOP PLAY/SCAN Command

The STOP PLAY/SCAN (Table 202) Command stops playback of CD audio commands.

Table 202 - STOP PLAY/SCAN Command Descriptor Block

Bit Byte	7	6	5	4	3	2	1	0
0	OPERATION CODE (4Eh)							
1	Reserved			Reserved				
2	Reserved							
3	Reserved							
4	Reserved							
5	Reserved							
6	Reserved							
7	Reserved							
8	Reserved							
9	Control							

Issuing a Stop Play/Scan command while the drive is scanning shall result in continuation of the play command. Issuing a Stop Play/Scan command while the drive is paused shall stop the play command.

Issuing a Stop Play/Scan command when no play operation is in progress shall not be considered an error.

Figure 22 provides an overview of the terminate sequences performed by the Stop Play commands.

Table 203 - Recommended errors for STOP PLAY/SCAN Command

Error	Reference
Deferred Errors	Sub-clause A.1
General Errors	Table A.2
Media Access Errors	Table A.3

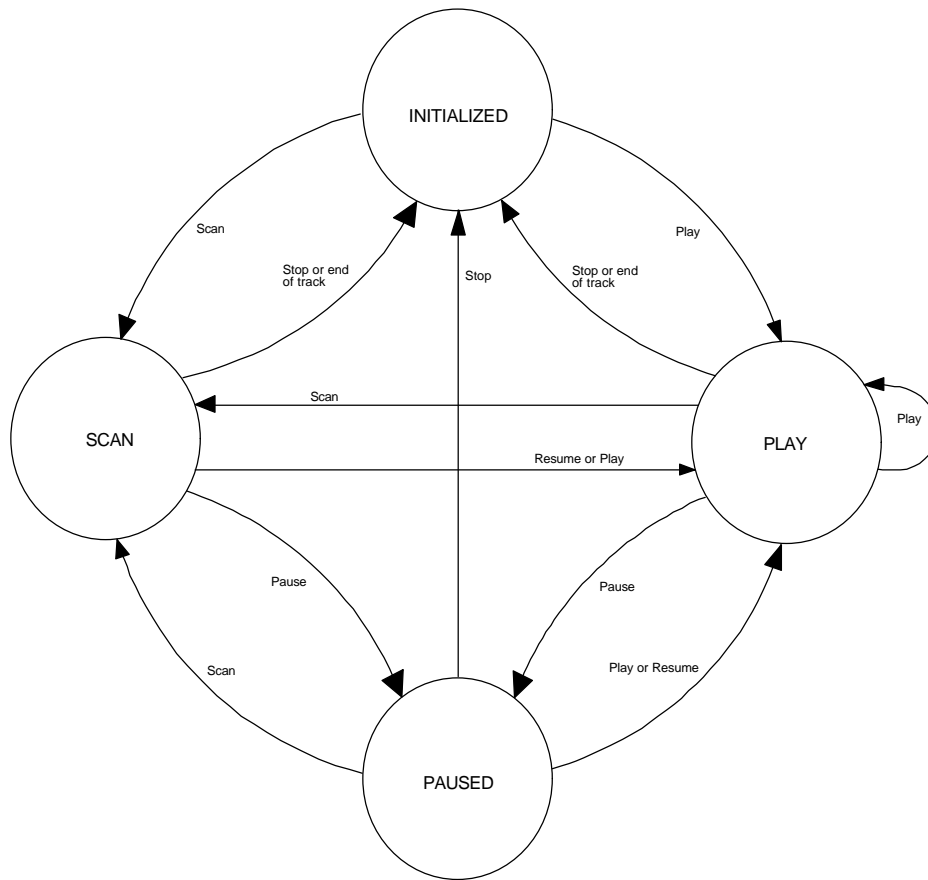


Figure 22 - Stop Play/Play Audio/Audio Scan/Pause/Resume Sequencing

6.1.37. SYNCHRONIZE CACHE Command

The SYNCHRONIZE CACHE command is shown in Table 204.

In reference to this command set, this command provides a normal sequence to terminate a Write process, and assures all remaining data in the data buffer has been written to the media.

If the data buffer is empty, issuing this command will result in no data being written to the physical media. This action will not be considered an error. Normal status shall be presented at the completion of the action.

Table 204 - SYNCHRONIZE CACHE Command

Bit Byte	7	6	5	4	3	2	1	0
0	Operation Code (35h)							
1	Reserved			Reserved			Immed	RELADR
2	(MSB) Logical Block Address (LSB)							
3								
4								
5								
6	Reserved							
7	(MSB) Number of Blocks (LSB)							
8								
9	Control							

An Immed (Immediate) bit of one indicates that the Logical Unit shall return status when the command descriptor block has been validated. An Immediate bit of zero indicates that the status shall not be returned until the operation has been completed. If the Immediate bit is one and the Logical Unit does not support immediate operation, then the command shall terminate with CHECK CONDITION status. The sense key shall be set to ILLEGAL REQUEST and the additional sense code shall be set to INVALID FIELD IN CDB.

The RELADR bit shall be set to zero.

The Logical Block Address field may be ignored by the drive.

The Number of Blocks field specifies the total number of contiguous logical blocks within the range. A Number of Blocks field, equal to 0, indicates that all remaining logical blocks on the logical unit shall be within the range. This field may be ignored by the drive.

A logical block within the specified range that is not in cache memory is not considered an error.

Table 205 - Recommended errors for SYNCHRONIZE CACHE Command

Error	Reference
Deferred Errors	Sub-clause A.1
General Errors	Table A.2
Media Access Errors	Table A.3
Write Errors	Table A.4

6.1.38. WRITE Command

The Write command (Table 206) shall use the WRITE Parameters mode page to determine its operating behavior.

Table 206 identifies the fields and information necessary to perform the WRITE operation. This command definition is identical to the WRITE Command defined in the SCSI-3 Block Command document. Bit definitions supplied in this document are for reference.

Table 206 - WRITE command

Bit Byte	7	6	5	4	3	2	1	0
0	OPERATION CODE (2Ah)							
1	Reserved			DPO	FUA	Reserved		RELADR
2	(MSB)							
3	Logical Block Address							
4								
5								
6								
7	Reserved							
8	(MSB)							
9	Transfer Length							
8								
9	Control							

A DPO (Disable Page Out) bit, set to one, indicates that the Logical Unit shall assign the logical blocks accessed by this command the lowest priority for being fetched into or retained by the cache. A DPO bit, of one, overrides any retention priority specified in the cache page. A DPO bit of zero indicates the priority shall be determined by the retention priority fields in the cache page. All other aspects of the algorithm implementing the cache replacement strategy are not defined by this International Standard. The drive may ignore this bit.

NOTE: The DPO bit is used to control replacement of logical blocks in the cache memory when the initiator has information on the future usage of the logical blocks. If the DPO bit is set to one, the initiator knows the logical blocks accessed by the command are not likely to be accessed again in the near future and should not be put in the cache memory nor retained by the cache memory. If the DPO bit is zero, the initiator expects that logical blocks accessed by this command are likely to be accessed again in the near future.

A FUA (force unit access) bit, set to one, indicates that the Logical Unit shall access the media in performing the command prior to returning GOOD status. In the case where the cache contains a more recent version of a logical block than the media, the logical block shall first be written to the media. WRITE commands shall not return GOOD status until the logical blocks have actually been written on the media, and the Write process is complete. This mode may not work with a sequence of writes intended to produce a continuous stream unless command queuing is implemented

An FUA bit of zero indicates that the Logical Unit may satisfy the command by accessing the cache memory. For WRITE operations, logical blocks may be transferred directly to the cache memory. GOOD status may be returned to the initiator prior to writing the logical blocks to the medium. Any error that occurs after the GOOD status is returned is a deferred error, and information regarding the error is not reported until the following command.

The Logical Block Address field specifies the logical block where the write operation shall begin. In case of WCE=1(see [ED NOTE: include this page in clause 7 ===] Write Cache page in SCSI-3 Block Commands) and FUA=0 with variable packet writing, and if the LBA is equal to the Next Writable Address in the same track as a previous Write, then writing should continue without interruption of streaming. If, during streaming, a WRITE command is issued for packet writing with an LBA = NWA+7 the drive shall begin a new packet. If the LBA is equal to the NWA in another track, a synchronize cache may be performed before executing the write command. If the LBA is not any next writable address or a writable CD- E address, the status shall be set to CHECK CONDITION, ILLEGAL REQUEST, INVALID ADDRESS FOR WRITE.

LBA in the range of -45150 (FFFF4FA2h) to -1 (FFFFFFFFh) shall be encoded as a two's complement negative number. Values in the range 0 through ffff4fa1h shall be considered positive values. Values -45150 through 404849 are valid for CD media. Table 207 shows the MSF to LBA mapping.

Table 207- LBA to MSF translation

Condition	Formulae
$-150 \leq LBA \leq 404849$	$M = IP\left(\frac{LBA + 150}{60 \cdot 75}\right)$ $S = IP\left(\frac{LBA + 150 - M \cdot 60 \cdot 75}{75}\right)$ $F = IP(LBA + 150 - M \cdot 60 \cdot 75 - S \cdot 75)$
$-45150 \leq LBA \leq -151$	$M = IP\left(\frac{LBA + 450150}{60 \cdot 75}\right)$ $S = IP\left(\frac{LBA + 450150 - M \cdot 60 \cdot 75}{75}\right)$ $F = IP(LBA + 450150 - M \cdot 60 \cdot 75 - S \cdot 75)$
$00/00/00 \leq MSF \leq 89/59/74$	$LBA = (M \cdot 60 + S) \cdot 75 + F - 150$
$90/00/00 \leq MSF \leq 99/59/74$	$LBA = (M \cdot 60 + S) \cdot 75 + F - 450150$

The RELADR bit shall be set to zero.

The transfer length field specifies the number of contiguous logical blocks of data that shall be transferred. A transfer length of zero indicates that no logical blocks shall be transferred. This condition shall not be considered an error. Any other value indicates the number of logical blocks that shall be transferred. The block size shall be determined by the write parameters mode page (if in track at once, packet, or raw mode) or by the cue sheet (session at once mode).

Once actual writing to the media has started, the data stream must be uninterrupted until the recording is done. Interruptions of data are called "underruns." The underrun condition may also be forced with the "Synchronize Cache" command. The drive shall behave as follows in an underrun condition.

- 1) Session at Once mode (see Table 219) for more information)

The drive shall generate and write a lead-out (the lead-in was generated and written before any data). The drive shall update the PMA.

- 2) Track at Once mode:

The drive shall pad the track (if reserved or not minimum length) and update the PMA.

- 3) Variable Packet:

The drive shall write run-out and link blocks.

- 4) Fixed Packet:

The drive shall pad the packet.

- 5) Raw mode

The drive shall write run-out and link blocks. The drive shall read the TOC and track information from the session just written and update the PMA. It is assumed that the initiator has written the lead-out.

Note: "Update the PMA" means to update the PMA on the disc or to update the PMA Cache, which shall be written to the PMA on the disc prior to the removing the disc from the drive. PMA Caching is vendor specific.

If the block number specified by the LBA field is already written on CD-R media, the drive shall return a CHECK CONDITION status, ILLEGAL REQUEST, INVALID ADDRESS FOR WRITE. This error will indicate that an underrun may have occurred, as the run-out and link blocks occupy logical addresses. On CD-RW media, the LBA shall specify an address that is an appendable point (according to CD-R rules) or is the first user data block of an existing packet or track.

While writing is occurring, the drive may not be able to process all SCSI commands. The following is a list of commands that shall function during writing without causing a flush cache.

- 1) TEST UNIT READY
- 2) REQUEST SENSE
- 3) INQUIRY
- 4) READ TRACK INFO (for current track). If the LBA or track number specified is not within the current track, the drive may return CHECK CONDITION status , ILLEGAL COMMAND, Invalid Field in CDB.
- 5) READ BUFFER CAPACITY
- 6) WRITE with the NWA in the current track.

All other commands may force a flush cache before executing normally. This shall not be considered an error.

Table 208 - Recommended errors for WRITE Command

Error	Reference
Deferred Errors	Sub-clause A.1
General Errors	Table A.2
Media Access Errors	Table A.3
Write Errors	Table A.4

7. Parameters for all Logical Unit types

This clause defines and lists the specified parameters that a host system or logical unit would require to perform at a desired level.

Parameters uniquely required to implement a specific feature set are defined within the sub-clause defining that feature set. Other parameters that are unique to a specific command are listed in the specific sub-clause defining that command

7.1. Mode Pages

Mode Pages are used to provide information to or from the logical unit. MODE SELECT (used to set parameters) and MODE SENSE (used to interrogate capabilities) commands move the pages (Table 209) to/from the logical units. The page definitions are provided in the following sub-clauses.

Table 209- Mode Page Codes for C/DVD

Page Code	Description	Section	Type
00h	Vendor-specific (does not require page format)		
01h	C/DVD Read/Write error recovery page	9.1.3.1 on page 114	Mandatory
02h - 04h	Reserved		
05h	Write Parameter page		
06h	Reserved		
07h	Verify error recovery page (obsolete)		Obsolete
08h - 0Ch	Reserved		
0Dh	CD page (obsolete)	9.1.3.3 on page 120	Obsolete
0Eh	CD audio control page		Audio Feature set
0Fh - 19h	Reserved		
1Ah	Power Condition Page	9.1.3.2 on page 119	Mandatory
1Bh	Reserved		
1Ch	Fault/Failure Reporting Page	9.1.3.5 on page 123	Smart Feature set
1Dh	C/DVD Inactivity page	9.1.3.6 on page 125	Mandatory
1Eh - 1Fh	Reserved		
2Ah	C/DVD Capabilities & Mechanical Status Page	9.1.3.F on page 126	Mandatory
20h - 9H 2Bh - 3Eh	Vendor - specific (page format required)		
3Fh	Return all pages (valid only for the Mode Sense command)		

7.1.1. CD Audio Control Parameters Page

The CD Audio Control Parameters Page (Table 210) sets the playback modes and output controls for subsequent PLAY AUDIO commands and any current audio playback operation.

Table 210 - CD Audio Control Mode Page Format

Bit Byte	7	6	5	4	3	2	1	0
0	PS (Optional)	Reserved	Page Code (0Eh)					
1	Page Length (0Eh)							
2	Reserved				Immed Mandatory Always 1		SOTC Mandatory Default 0	Reserved
3	Reserved							
4	Reserved							
5	Reserved							
6	Obsolete (75)							
7								
8	Reserved				CDDA Output Port 0 Channel Selection			
9	Output Port 0 Volume (Mandatory) Default FFh							
10	Reserved				CDDA Output Port 1 Channel Selection			
11	Output Port 1 Volume (Mandatory) Default FFh							
12	Reserved				CDDA Output Port 2 Channel Selection			
13	Output Port 2 Volume (Mandatory) Default FFh							
14	Reserved				CDDA Output Port 3 Channel Selection			
15	Output Port 3 Volume (Mandatory) Default FFh							

The Parameters Savable (PS) bit is only used with the MODE SENSE command. The PS bit is optional. This bit is reserved with the MODE SELECT command. A PS bit of one indicates that the C/DVD Logical Unit is capable of saving the page in a non-volatile vendor-specific location.

The Immediate Bit (IMMED) is used for information purposes only; the audio commands will always send completion status as soon as the playback operation has been started. This bit shall always be set to 1.

A Stop On Track Crossing (SOTC) bit of zero indicates the C/DVD Logical Unit shall terminate the audio playback operation when the transfer length is satisfied. Multiple tracks shall be played as necessary. Periods of time encoded as audio pause/silence at the beginning of tracks, (index 0) shall also be played. A SOTC bit of one indicates the C/DVD Logical Unit shall terminate the audio playback operation when the beginning of a following track is encountered. The SOTC bit is mandatory.

The CDDA Output Port Channel Selection field specifies the Red Book audio channels from the disc to which a specific output port shall be connected. More than one output port may be connected to an audio channel. More than one audio channel may be connected to an output port.

Table 211 - CDDA Output Port Channel Selection Codes

Code	Description
0000b	Output port muted
0001	Connect audio channel 0 to this output port
0010b	Connect audio channel 1 to this output port
0011b	Connect audio channel 0 and audio channel 1 to this output port
0100b	Connect audio channel 2 to this output port
1000b	Connect audio channel 3 to this output port

The Output Port Volume Control indicates the relative volume level for this audio output port. The value used is specified as an attenuation of the normal volume level. A value of zero indicates the minimum volume level (Mute), and a value of FFh indicates maximum volume (No attenuation) level. It is recommended that the MUTE and volume functions should be supported on a per channel basis. The attenuation used shall be as specified in "Table 71 - Attenuation Levels for Audio". All values not shown in the table shall be valid, with the attenuation selected by interpolating using the known table values.

It is recommended that the Logical Unit support at least 16 volume levels. The actual attenuation levels for any given Binary attenuation value shall be given by the following equation: $20 \text{ Log (Binary Level / 256)}$

Note: Audio channel volume control regarding channel selection of MUTE vs. Volume Level setting of 0. It is recommend that Logical Units allow the setting of the Channel Selection fields to MUTE and also allow the setting of the Volume Level field to 0. It is up to the Logical Unit to determine how to shut off the volume, either via muting circuitry or via the volume control.

Table 212 - Attenuation Levels for Audio

Binary Level	Attenuation
FFh	0db (0n)
F0h	-0.56
E0h	-1.16
C0h	-2.50
80h	-6.00
40h	-12.0
20h	-18.0
10h	-24.0
0Fh	-24.6
0Eh	-25.2
0Ch	-26.6
08h	-30.0
04h	-36.0
02h	-42.1
01h	-48.0
00h	Mute (Off)

7.1.2. C/DVD Capabilities and Mechanical Status Page

The C/DVD Capabilities and Mechanical Status Page (Table 213) is read only and may not be set with Mode Select.

Table 213 - CD Capabilities and Mechanical Status Page

Bit Byte	7	6	5	4	3	2	1	0
0	PS	Reserved	Page Code (2Ah)					
1	Page Length (14h)							
2	Reserved		DVD-RAM Read	DVD-R Read	DVD-ROM Read	Method 2	CD-RW Read	CD-R Read
3	Reserved		DVD-RAM Write	DVD-R Write	Reserved	Test Write	CD-RW Write	CD-R Write
4	Reserved	Multi Session	Mode 2 Form 2	Mode 2 Form 1	Digital Port (2)	Digital Port (1)	Composite	Audio Play
5	Read Bar Code	UPC	ISRC	C2 Pointers supported	R-W De-interleaved & corrected	R-W Supported	CD-DA Stream is Accurate	CD-DA Commands Supported
6	Loading Mechanism Type			Reserved	Eject (Individual or Cartridge)	Prevent Jumper	Lock State	Lock
7	Reserved			Side Change Capable	S/W Slot Selection (SSS)	Changer Supports Disc Present reporting	Separate Channel Mute Supported	Separate volume levels per channel
8	(MSB) Obsolete - Reserved							
9	(LSB)							
10	(MSB) Number of Volume Levels Supported							
11	(LSB)							
12	(MSB) Buffer Size supported by Logical Unit (in KBytes)							
13	(LSB)							
14	(MSB) Obsolete - Reserved							
15	(LSB)							
16	Reserved							
17	Reserved	Length		LSBF	RCK	BCK	Reserved	
18	Optional Reserved							
19	Optional Reserved							
20	(MSB) Copy Management Revision Supported							
21	(LSB)							
22	Reserved							
23	Reserved							

Media Function Capabilities:

If CD-R Read Field is set to one, the Logical Unit shall support the read function of CD-R disc (Orange Book Part II).

If CD-R/RW Read Field is set to one, the Logical Unit shall support the read function of CD-R/RW disc (Orange Book Part III).

If Method 2 is set to one, the Logical Unit shall support the read function of CD-R media written using fixed packet tracks using Addressing Method 2.

If DVD-ROM Read bit (read only field) is set to one, the Logical Unit shall support the read function of DVD-ROM disc.

If DVD-RAM Read bit (read only field) is set to one, the Logical Unit shall support the read function of DVD-RAM disc.

If DVD-R Read bit (read only field) is set to one, the Logical Unit shall support the read function of DVD-R disc.

If CD-R Write Field is set to one, the Logical Unit shall support the write function of CD-R disc (Orange Book Part II).

If CD-R/RW Write Field is set to one, the Logical Unit shall support the write function of CD-R/RW disc (Orange Book Part III).

If DVD-RAM Write bit (read only field) is set to one, the Logical Unit shall support the write function of DVD-RAM disc.

If DVD-R Write bit (read only field) is set to one, the Logical Unit shall support the write function of DVD-R disc.

If the Test Write bit is set to one, the Logical Unit shall only accept data from the host and not write to the media.

The individual capabilities of the Logical Unit are specified by bytes 4 through 7. Each of the bits indicate if that specific capability is supported. A value of zero indicates that the capability is NOT supported; a value of one indicates the capability IS supported.

Bit 0 - Audio Play The Logical Unit is capable of Audio Play operation. This also indicates that the Logical Unit is capable of overlapping Play and other commands such as reading of the Sub-channel information.

Bit 1 - Composite The Logical Unit is capable of delivering a composite Audio and Video data stream.

Bit 2 - Digital Port(1) The Logical Unit supports digital output (IEC958) on port 1

Bit 3 - Digital Port(2) The Logical Unit supports digital output(IEC958) on port 2

Bit 4 - Mode 2 Form 1 The Logical Unit is capable of reading sectors in Mode 2 Form 1 (XA) format.

Bit 5 - Mode 2 Form 2 The Logical Unit is capable of reading sectors in Mode 2 Form 2 format. Bit 6 Multi Session The Logical Unit is capable of reading multiple session or Photo CD discs.

Bit 8 - CD-DA Commands Supported Red Book audio can be read using the READ-CD command.

Bit 9 - CD-DA Stream is Accurate This bit indicates that the Logical Unit supports an advanced feature that allows it to return to an audio location without losing place to continue the READ CD-DA command. 0 The Logical Unit is incapable of accurately restarting the CD-DA read operation, and a BUFFER OVERFLOW error shall be reported whenever a loss of streaming occurs. This error will be fatal and the command will have to be repeated from the beginning. 1 The Logical Unit can continue from a loss of streaming condition and no error will be generated.

Bit 10 - R-W Supported The commands that return Sub-channel data can return the combined R-W information.

Bit 11 - R-W De-interleaved & Corrected This indicates that the R-W sub-channel data will be returned de-interleaved and error corrected.

Bit 12 - C2 Pointers are Supported This indicates that the Logical Unit supports the C2 Error Pointers. This also indicates that the Logical Unit is capable of returning the C2 Error Pointers and C2 Block Error flags in the READ CD command. Bit 13 ISRC The Logical Unit can return the International Standard Recording Code Information.

Bit 14 - UPC The Logical Unit can return the Media Catalog Number (UPC)

Bit 15 - Read Bar Code The Logical Unit is capable of reading the disc bar code.

Bit 16 - Lock The PREVENT/ALLOW command is capable of actually locking the media into the Logical Unit.

Bit 17 - Lock State This indicates the current state of the Logical Unit. 0 The Logical Unit is currently in the allow (Unlocked) state. Media may be inserted or ejected. 1 The Logical Unit is currently in the prevent (Locked) state. Media

loaded in the Logical Unit may not be removed via a soft or hard eject. If the Logical Unit is empty, media may not be inserted if the Prevent Jumper is not present. If the jumper is present, then media may be inserted.

Bit 18 - Prevent Jumper This indicates the state of the (Optional) Prevent/Allow Jumper. 0 Jumper is present. Logical Unit will power up to the allow state. Locking the Logical Unit with the Prevent/Allow Command shall NOT prevent the insertion of media. 1 Jumper is not present. Logical Unit will power up to the Prevent State (Locked). The Logical Unit will not accept new media or allow the ejection of media already loaded until an allow command is issued.

Bit 19 - Eject Command The Logical Unit can eject the disc via the normal START/STOP command with the LoEj bit set. If the mechanism is a Changer that uses a Cartridge, then this bit indicates that the Cartridge can be ejected.

Bit 20 - Reserved

Bit 21-23 - Loading Mechanism Type This field specifies the type of disc loading the Logical Unit supports.

- 0 0 0 Caddy type loading mechanism
- 0 0 1 Tray type loading mechanism
- 0 1 0 Popup type loading mechanism
- 0 1 1 Reserved
- 1 0 0 Changer with individually changeable discs
- 1 0 1 Changer using a Cartridge Mechanism
- 1 1 0 Reserved
- 1 1 1 Reserved

Bit 24 - Separate Volume Levels The audio level for each channel can be controlled independently.

Bit 25 - Separate Channel Mute The mute capability for each channel can be controlled independently.

Bit 26 - Supports Disc Present (SDP) This bit indicates that the Logical Unit contains an embedded changer, and that after a reset condition or if a cartridge is changed, it can report the exact contents of the slots. The response to the MECHANISM STATUS command will contain valid Disc is Present status information for all slots.

Bit 27 - Software Slot Selection (SSS) This bit controls the behavior of the LOAD/UNLOAD command when trying to load a Slot with no Disc present (see "[Table 48 - Load/Unload or Optional Selection Operations](#)" on page 101).

Bit 28 - Side Change Capable This bit indicates that the Logical Unit is capable of selecting both sides of the Discs. This capability can be reported for Logical Units that have changer functions.

The Number of Volume Levels Supported field returns the number of discrete levels. If the Logical Unit only supports turning audio on and off, the Number of Volume Levels field shall be set to 2.

The Buffer Size Supported field returns the number of bytes of buffer dedicated to the data stream returned to the Host Computer. This value is returned in Kbytes (Size/1024). If the Logical Unit does not have a buffer cache, the value returned shall be zero.

Byte 17 - is used to describe the format of the Logical Units digital output.

Bit 1 - BCKF Set if data valid on the falling edge of the BCK signal. Clear if data valid on the rising edge of the BCK signal

Bit 2 - RCK Set if HIGH on LRCK indicates left channel. Clear if HIGH on LRCK indicates right channel.

Bit 3 - LSBF Set if LSB first. Clear if MSB first.

Bit 4-5 - Length 00 32 BCKs 01 16 BCKs 10 24 BCKs 11 24 BCKs (I 2 S)

The Copy Management Revision Supported Field indicates the version of the DVD Copy Protection scheme that is supported by the Logical Unit. This shall be 0001h to comply with this specification.

7.1.3. C/DVD Time-out & Protect Page

The C/DVD Time-out & Protect page (Table 214) specifies parameters that affect C/DVD operation.

Table 214 - C/DVD Time-out & Protect Page

Bit Byte	7	6	5	4	3	2	1	0	
0	PS (Optional) Default 0	Reserved	Page Code (1Dh)						
1	Page Length (08h)								
2	Reserved								
3	Reserved								
4	Reserved						DISP (Optional) Default 0	SW PP (Optional) Default 0	
5	Reserved								
6	(MSB)	Group 1 Minimum Time-out (Seconds)							
7								(LSB)	
8	(MSB)	Group 2 Minimum Time-out (Seconds)							
9								(LSB)	

The Parameters Savable (PS) bit is only used with the MODE SENSE command. This bit is reserved with the MODE SELECT command. A PS bit of one indicates that the C/DVD Logical Unit is capable of saving the page in a non-volatile vendor-specific location. The PS bit is optional.

The DISP bit when set to 1 shall make the Logical Unit unavailable until power has been removed and then reapplied. The Logical Unit shall report not ready for all media access after this bit has been set to 1.

The SWPP bit provides a Software Write Protect until Power down. When this bit is set to 1 the Logical Unit shall prevent writes to the media. When the bit is set to 1, the Logical Unit shall flush any data in the Cache to the media before preventing any further writes.

See the Time-out model for more information on the Group 1 & 2 Minimum Time-out fields.

7.1.4. Fault / Failure Reporting Control Page

The Fault / Failure Reporting Control page (Table 215) defines the methods used by the target to control the reporting and the operations of specific informational exception conditions. This page shall only apply to informational exception that report an additional sense code of FAILURE PREDICTION THRESHOLD EXCEEDED to the application client.

Informational exception conditions occur as a result of vendor specific events within a target. An informational exception condition may occur asynchronous to any commands issued by an application client.

Table 215 - Fault/ Failure Reporting Control Page

Bit Byte	7	6	5	4	3	2	1	0
0	PS (Optional) Default 0	Reserved	Page Code (1Ch)					
1	Page Length (0Ah)							
2	Perf	Reserved			DExcpt	Test	Reserved	LogErr (0)
3	Reserved				MRIE			
4	(MSB) Interval Timer (LSB)							
5								
6								
7								
8	(MSB) Report Count (LSB)							
9								
10								
11								

The log errors bit (LogErr) of zero indicates that the logging of informational exception conditions within a Logical Unit is vendor specific.

A disable exception control (DExcpt) bit of zero indicates information exception operations shall be enabled. The reporting of informational exception conditions when the DExcpt bit is set to zero is determined from the method of reporting informational exception field. A DExcpt bit of one indicates the Logical Unit shall disable all information exception operations. The method of reporting Fault / Failure Reporting field is ignored when DExcpt is set to one.

A Test bit of one shall create a false Logical Unit failure at the next interval time (as specified by the Interval timer field), if the DExcpt bit is not set. When the Test bit is one, the MRIE and Report count fields shall apply as if the Test bit were zero. The false Logical Unit failure shall be reported with an additional sense code of FAILURE PREDICTION THRESHOLD EXCEEDED (FALSE). If both the Test and the DExcpt bits are one, the Logical Unit shall terminate the MODE SELECT command with CHECK CONDITION status. The sense key shall be set to ILLEGAL REQUEST with the additional sense code set to INVALID FIELD IN PARAMETER LIST. A Test bit of zero shall instruct the Logical Unit not to generate any false Logical Unit failure notifications.

A Performance bit (Perf) of zero indicates that informational exception operations that are the cause of delays are acceptable. A Perf bit of one indicates the Logical Unit shall not cause delays while doing informational exception operations. A Perf bit set to one may cause the Logical Unit to disable some or all of the informational exception operations, thereby limiting the reporting of informational exception conditions.

The Method of Reporting Fault / Failure Reporting field (MRIE) indicates the methods that shall be used by the Logical Unit to report informational exception conditions (*see Table 74 - on page 124*). The priority of reporting multiple information exceptions is vendor specific.

Table 216 - Method of Reporting Fault/Failure Reporting Field

MRIE	Description
0h	No reporting of informational exception condition: This method instructs the target to not report information exception conditions.
1h - 3h	Reserved
4h	Unconditionally generate recovered error: This method instructs the target to report informational exception conditions, regardless of the value of the Perf bit of the error recovery parameters mode page, by returning a CHECK CONDITION status on any command. The sensekey shall be set to RECOVERED ERROR and the additional sense code shall be set to FAILURE PREDICTION THRESHOLD - Predicted Logical Unit Failure or FAILURE PREDICTION THRESHOLD EXCEEDED - Predicted Media Failure. The command that has the CHECK CONDITION shall complete without error before any informational exception condition may be reported.
5h - Bh	Reserved
Ch - Fh	Vendor specific

The Interval Timer field indicates the period in 100 millisecond increments that a informational exception condition has occurred. The Logical Unit shall not report informational exception conditions more frequently than the time specified by the Interval Timer field and as soon as possible after the timer interval has elapsed. After the informational exception condition has been reported the interval timer shall be restarted. A value of zero in the Interval Timer field indicates that the Logical Unit shall only report the informational exception condition one time.

The Report Count field indicates the number of times to report an informational exception condition to the application client. A value of zero in the Report Count field indicates there is no limit on the number of times the Logical Unit shall report an informational exception condition.

The maintaining of the Interval Timer and the Report Count field across power cycles and/or resets by the Logical Unit shall be vendor specific.

7.1.5. Power Condition Page

The power condition page provides the application client the means to control the length of time a logical unit will delay before changing its power requirements. There are notification events to the host that a logical unit has entered into one of the power conditions.

Table 217 - Power Condition Mode Page Format

Bit Byte	7	6	5	4	3	2	1	0
0	PS (Optional)	Reserved	Page Code (1Ah)					
1	Page Length (0Ah)							
2	Reserved							
3	Reserved					Idle	Standby	
4	(MSB) Idle Timer (LSB)							
5								
6								
7								
8	(MSB) Standby Timer (LSB)							
9								
10								
11								

On the receipt of a command the Logical Unit shall adjust itself to the power condition which allows the command to execute. The timer which maps to this power condition and any lower power condition timers shall be reset on receipt of the command. On completion of the command the timer associated with this power condition shall be restarted.

An Idle bit of one indicates a logical unit shall use the Idle Timer to determine the length of inactivity time to wait before entering the Idle condition.

If the Idle bit is zero, or a value of zero in the Idle Timer indicates the logical unit shall disable the Idle Timer.

The Idle Timer field indicates the inactivity time in 100 millisecond increments that the logical unit shall wait before entering the Idle condition.

A Standby bit of one indicates a logical unit shall use the Standby Timer to determine the length of inactivity time to wait before entering the Standby condition.

The Standby Timer field indicates the inactivity time in 100 millisecond increments that the logical unit shall wait before entering the Standby condition.

If the Standby bit is zero or a value of zero in the Standby Timer indicates the logical unit shall disable the Standby Timer.

For more information on these timers see section 7.1.2, "Timers", on page 77.

7.1.6. Read/Write Error Recovery Parameters Page

The Read/Write Error Recovery Parameters Page specifies the error recovery parameters the C/DVD Logical Unit shall use during any command that performs a data read operation from the media (e.g. READ, READ TOC/PMA/ATIP, etc.).

Table 218 - Read/Write Error Recovery Parameters Page Format

Bit Byte	7	6	5	4	3	2	1	0	
0	PS (Optional) Default 0	Reserved	Page Code (01h)						
1	Page Length (0Ah)								
2	Error Recovery Parameter, Default 0								
	AWRE	ARRE	TB	RC	Reserved	PER	DTE	DCR	
3	Read Retry Count								
4	Reserved (Correction Span in SCSI SBC)								
5	Reserved (Head Offset Count in SCSI SBC)								
6	Reserved (Data Strobe Offset Count in SCSI SBC)								
7	Reserved								
8	Write Retry Count								
9	Reserved								
10	(MSB)	Recovery Time Limit (0)							
11								(LSB)	

The Parameters Savable (PS) bit is only used with the MODE SENSE command. This bit is reserved with the MODE SELECT command. A PS bit of one indicates that the C/DVD Logical Unit is capable of saving the page in a non-volatile vendor-specific location. The PS bit is optional.

NOTE The implementation of error recovery procedures for C/DVD Logical Units is markedly different from those used for magnetic medium disk drives. At least one level of error correction is required to transfer the data stream. Therefore, the performance of the Logical Unit may differ substantially from what would be expected by sending the same error recovery parameters to a magnetic medium Logical Unit.

An automatic write reallocation enabled (AWRE) bit of one indicates that the Logical Unit shall enable automatic reallocation to be performed during write operations. An AWRE bit of zero indicates that the Logical Unit shall not perform automatic reallocation of defective data blocks during write operations.

An automatic read reallocation enabled (ARRE) bit of one indicates that the Logical Unit shall enable automatic reallocation of defective data blocks during read operation. An ARRE bit of zero indicates that the Logical Unit shall not perform automatic reallocation of defective data blocks during read operation. When ARRE is enabled other error recovery modes shall not be used. The Disable Correction and Read Continuous shall not be enabled while ARRE is enabled.

A Transfer Block (TB) bit of one indicates that a data block that is not recovered within the recovery limits specified, shall be transferred to the Host Computer before CHECK CONDITION status is returned. A TB bit of zero indicates that such a data block shall not be transferred to the Host Computer. The TB bit does not affect the action taken for recovered data.

A Read Continuous (RC) bit of one indicates that the Logical Unit shall transfer the entire requested length of data without adding delays to perform error recovery procedures. This implies that the Logical Unit may send data that is erroneous or fabricated in order to maintain a continuous flow of data. A RC bit of zero indicates that error recovery operations that cause delays are acceptable during the data transfer.

A Post Error (PER) bit of one indicates that the Logical Unit shall report recovered errors. A PER bit of zero indicates that the Logical Unit shall not report recovered errors. Error recovery procedures shall be performed within the limits established by the error recovery parameters. This capability is very different for DVD media. To be able to recover the data from DVD media, error correction must be used. Thus it is not reasonable to report when ECC is used to recover the data. This bit for DVD media shall only be used to report when auto reallocation of a logical block has been

performed. For CD media this capability is used to report when the Layered Error correction has been used to recover the data. Again as the CIRC is mandatory for recovery of data it shall not cause recovered errors to be reported.

A Disable Transfer on Error (DTE) bit of one indicates that the Logical Unit shall terminate the data transfer to the Host upon detection of a recovered error. A DTE bit of zero indicates that the Logical Unit shall not terminate the data transfer upon detection of a recovered error.

A Disable Correction (DCR) bit of one indicates that error correction codes shall not be used for data error recovery. A DCR bit of zero allows the use of error correction codes for data error recovery.

The interpretation of the bits 5-0 in the Error Recovery Parameter byte for C/DVD Logical Units is given in "Table 66 - C/ DVD Error Recovery Descriptions (CD Media)" on page 116. If the error recovery parameter is set to any other value, the command shall be terminated with CHECK CONDITION status. The sense key shall be set to ILLEGAL REQUEST and the additional sense code set to INVALID FIELD IN PARAMETER LIST.

The Read Retry Count field specifies the number of times that the controller shall attempt its read recovery algorithm.

The Write Retry Count field specifies the number of times that the controller shall attempt its write recovery algorithm. This may not have any affect if the Logical Unit does not support read after write operations.

A CIRC Recovered Data Error is defined as a block for which the CIRC based error correction algorithm was unsuccessful for a read attempt, but on a subsequent read operation no error was reported. The number of subsequent read operations is limited to the read retry count. Layered error correction was not used.

A CIRC Unrecovered Data Error is defined as a block for which the CIRC based error correction algorithm was unsuccessful on all read attempts up to the read retry count. Layered error correction was not used.

An L-EC Recovered Data Error is defined as a block for which the CIRC based error correction algorithm was unsuccessful, but the layered error correction was able to correct the block within the read retry count.

An L-EC Uncorrectable Data Error is defined as a block which could not be corrected by layered error correction within the read retry count.

7.1.7. Write Parameters Mode Page

The Write Parameters Mode Page (see Table 219) contains parameters needed for the correct execution of write commands.

The values in this page do not necessarily reflect the status on a given track. They will be used as applicable when a write operation occurs. If any parameters have values incompatible with the current track, a check condition status shall occur when a write is attempted.

The PS bit (parameters savable) (see Table 219) is only used with the MODE SENSE command. This bit is reserved with the MODE SELECT command. A PS bit of one indicates that the target is capable of saving the page in a non-volatile, vendor-specific location. If the PS bit is set to one in MODE SENSE data, then the page shall be savable by issuing a MODE SELECT command with SP set to one.

Table 219 - Write Parameters Mode Page

Bit Byte	7	6	5	4	3	2	1	0
0	PS	Reserved	Page Code (05h)					
1	Page Length (32h)							
2	Reserved			Test Write	Write Type			
3	Multi-session		FP	Copy	Track Mode			
4	Reserved			Data Block Type				
5	Reserved							
6	Reserved							
7	Reserved		Host Application Code					
8	Session Format							
9	Reserved							
10	(MSB)							
11	Packet Size							
12								
13	(LSB)							
14	(MSB)							
15	Audio Pause Length							
16	(MSB)							
17	...							
...	Media Catalog Number							
30	...							
31	(LSB)							
32	(MSB)							
33	...							
...	International Standard Recording Code							
46	...							
47	(LSB)							
48	Sub-header Byte 0							
49	Sub-header Byte 1							
50	Sub-header Byte 2							
51	Sub-header Byte 3							
52	Vendor Specific							
53	Vendor Specific							
54	Vendor Specific							
55	Vendor Specific							

The Test Write bit (see Table 219) is valid only for Write Type 1 or 2 (Track at Once or Session at Once). When the Test Write bit is set to one, it indicates that the device performs the write process, but does not write data to the media. When the bit is set to zero the Write laser power is set such that user data is transferred to the CD media. In addition, all track and disc information collected, during test write mode, shall be cleared. It should be noted that the number of tracks reserved or written may be limited in test write mode.

Write Type Field (Table 220) specifies the CD-R/RW stream type to be used during writing. Write Type values are shown in Table 220.

Table 220 - Write Type Field

Value	Definition
00h	Packet
01h	Track-at-once
02h	Session-at-once
03h	Raw
04h - 0Fh	Reserved

Packet - the device shall perform packet writing when write commands are issued.

Track at Once - the device shall perform track at once recording when write commands are issued.

Session at Once - the device shall perform session at once recording. This mode requires that a cue sheet be sent prior to sending write commands.

Raw - the device shall write data as received from the initiator. In this mode, the initiator sends the lead-in. As the initiator must provide Q sub-channel in this mode, the only valid Data Block Types are 1, 2, and 3. The Next Writable Address starts at the beginning of the lead-in (which shall be a negative LBA on a blank disc).

NOTE: In RAW record mode the drive shall not generate run-in and run-out blocks (main and sub-channel 1 data) but shall generate and record the link block.

The Multi-session field defines how session closure affects the opening of the next session. See Table 221.

Table 221 - Multi-session Field Definition

Multisession Field	Action Upon Session Closure
00b	No B0 pointer. Next Session not allowed
01b	B0 pointer = FF:FF:FF. Next session not allowed
10b	Reserved
11b	Next session allowed. B0 pointer = next possible program area.

The FP bit, when set to one indicates that the packet type is fixed. Otherwise, the packet type is variable. This bit is ignored unless the write type is set to 0 (Packet).

Track Mode is the Control nibble in all mode 1 Q sub-channel in the track.

A Copy bit with value one indicates that this is the first or higher generation copy of a copyright protected track. When set to one, the copyright bit in the control nibble of each mode 1 Q sub-channel shall alternate between 1 and 0 at 9.375 Hz. The duty cycle is 50%, changing every 4 blocks. The initial value on the medium is zero.

Data Block Type defines both the specific data fields in a user data block and its size. The Data Block Type is as defined in Table 222. This size is used for writing instead of the block size set in the mode select header.

Table 222 - Data Block Type Codes

Value	Block Size	Definition	Requirement
0	2352	Raw data 2352 bytes of raw data (not valid for write type = packet)	Optional
1	2368	Raw data with P and Q sub-channel 2352 bytes of raw data, 16 bytes buffer for Q sub-channel: Bytes 0..9 are Q sub-channel data Bytes 10..11 are Q sub-channel EDC Bytes 12..14 are zero Byte 15, most significant bit has state of P sub-channel bit (not valid for write type = packet)	Optional
2	2448	Raw data with P-W sub-channel appended: 2352 bytes of raw data. 96 bytes of pack form R-W sub-channel in the low order 6 bits of each byte. Bit 7 of each byte contains the P sub-channel state and bit 6 of each byte contains the Q sub-channel bit. (not valid for write type = packet)	Optional
3	2448	Raw data with raw P-W sub-channel appended: 2352 bytes of raw data. 96 bytes of raw P-W sub-channel. (not valid for write type=packet)	Optional
4 - 6		Reserved values	-
7	NA	Vendor Specific	Optional
8	2048	Mode 1 (ISO/IEC 10149): 2048 bytes of user data	Mandatory
9	2336	Mode 2 (ISO/IEC 10149): 2336 bytes of user data	Optional
10	2048	Mode 2 (CD-ROM XA, form 1): 2048 bytes of user data, sub-header from write parameters	Mandatory
11	2056	Mode 2 (CD-ROM XA, form 1): 8 bytes of sub-header, 2048 bytes of user data	Optional
12	2324	Mode 2 (CD-ROM XA, form 2): 2324 bytes of user data, sub-header from write parameters	Optional
13	2332	Mode 2 (CD-ROM XA, form 1, form 2, or mixed form): 8 bytes of sub-header 2324 bytes of user data	Mandatory
14	-	Reserved	-
15	NA	Vendor Specific	Optional

NOTES:

1. When a track has been designated for packet writing, the device shall ensure that the TDB is written upon receipt of the write command.
2. With the exceptions of data block types 1, 2, and 3, the device shall generate all P sub-channel and all mode 1, mode 2, and mode 3 Q sub-channel.
3. For data block types 8 through 13, the device shall generate all sync fields and all headers.

4. For data blocks of mode 1 or of mode 2, form 1, the device shall generate EDC and L-EC parity.
5. For data block types 0, 1, 2, and 3, the device shall perform no data scrambling per ISO/IEC 10149.
6. For data block types 8 through 13, the device shall perform data scrambling per ISO/IEC 10149.

The Host Application Code is typically zero. When the unrestricted Use Disc bit in Disc Information Block (see Table 105) is one, the Host Application Code shall be ignored by the device. If the Unrestricted Use Disc bit is zero, then the Host Application Code shall be set to the appropriate value for the medium in order that writing be allowed. A Host Application Code of zero is used for a Restricted Use - General Purpose Disc.

The Session Format code is to be written in the TOC of the session containing this track. The Session Format code is the PSEC byte of the mode 1, point A0 TOC entry. See Table 223.

Table 223 - Session Format Codes

Disc Type Code	Session Format
00h	CD-DA or CD-ROM Disc
10h	CD-I Disc
20h	CD-ROM XA Disc
All Other Values	Reserved

The Packet Size field specifies the number of User Data Blocks per fixed packet.

Audio Pause Length is the number of blocks from the beginning of the track for which the mode 1 Q sub-channel INDEX shall be zero. If this number is zero, then there is no period where the Mode 1 Q sub-channel INDEX shall be zero. The default value shall be 150. This field is valid only for audio tracks, otherwise it is ignored.

The Media Catalog Number (MCN) is formatted as in Table 136. The MCN will be written in a mode 2 Q sub-channel in at least one out of every 100 blocks in the program area.

The International Standard Recording Code (ISRC) is formatted as in Table 138.

7.1.8. Verify error recovery parameters

7.2. Parameters for CD devices

7.2.1. Diagnostic parameters

This sub-clause defines the descriptors and pages for diagnostic parameters used with CD devices.

The diagnostic page codes for CD devices are defined in Table 224.

Table 224 - Diagnostic page codes

Page Code	Description	ref. doc.
00h	supported diagnostic pages	SPC
01h - 3Fh	reserved (for all device type pages)	-
40h - 7Fh	reserved	-
80h - FFh	vendor specific pages	-

7.2.2. Log parameters

This sub-clause defines the descriptors and pages for log parameters used with CD devices. The log page codes for CD devices are defined in Table 225.

Table 225 - Log page codes

Page Code	Description	ref. doc.
00h	Supported log pages	SPC
01h	Buffer over-run/under-run page	SPC
02h	Reserved	SPC
03h	Error counter page (read) page	SPC
04h - 05h	Reserved	SPC
06h	Non medium error page	SPC
07h	Last n error events page	SPC
08h - 2Fh	Reserved	SPC
30h - 3Eh	Vendor specific pages	SPC
3Fh	Reserved	SPC

7.2.3. Mode parameters

This sub-clause defines the descriptors and pages for mode parameters used with CD devices.

For more complete information on Mode Parameters see SCSI-3 Primary Commands standard definitions of Mode Parameters. The mode parameter list, including the mode parameter header and mode block descriptor are defined in the SCSI-3 Primary Commands.

The medium-type code field is contained in the mode parameter header. Table 226 defines the medium type values for CD devices.

Table 226 - CD medium type codes

Code	Medium type description
00h	Default (only one type supported)
01h	120 mm CD data only
02h	120 mm CD-DA audio only
03h	120 mm CD data and audio combined (Mixed mode)
04h	Reserved
05h	80 mm CD-ROM data only
06h	80 mm CD-DA audio only
07h	80 mm CD data and audio combined (Mixed mode)
08h - 7Fh	Reserved
80h - FFh	Vendor specific

The device-specific parameter field is contained in the mode parameter header. Table 227 defines the device-specific parameter field for CD devices.

Table 227 - CD device specific parameter

Bit	7	6	5	4	3	2	1	0
Byte	Reserved		DPOFUA	Reserved		EBC		
1	Reserved		DPOFUA	Reserved		EBC		

When used with the MODE SELECT command, the DPOFUA bit is not used and the field is reserved.

When used with the MODE SENSE command, a DPOFUA bit of one indicates that the target supports the DPO and FUA bits (see SCSI Block Commands READ(10) Command description).

The Enable Blank Check (EBC) bit is reserved.

The density code field is contained in the mode parameter block descriptor (see SCSI Primary Commands-Mode Parameters description). Table 228 defines the density code values for CD devices. This field is obsolete and shall be set to 00h.

Table 228 - CD Density codes

code	data types to be transferred
00h	default density code
01h	User data only (2048 bytes per logical sector)
02h	User data plus auxiliary data field (2336 bytes per sector)
03h	4-byte tag field, user data plus auxiliary data (2340 bytes per sector)
04h	Audio information only (1/75th of a second per logical block)
05h - 7Fh	Reserved
80h - FFh	Vendor specific

NOTE: The number of bytes per sector specified by this parameter is used with the block length to map CD sectors to logical block addresses.

The mode page codes for CD devices are defined in Table 229.

Table 229 - Mode page codes

Page code	description	ref. doc.
00h	Vendor specific (does not require page format)	-
01h	Read error recovery page	MMC-1
02h	Disconnect re-connect page	SPC
03h-04h	Reserved	-
05h	Write Parameter page	MMC-1
06h	Reserved	-
07h	Verify error recovery page	MMC-1
08h	Caching page	SBC
09h	Peripheral device page	SPC
0Ah	Control mode page	SPC
0Bh	Medium types supported page	SBC
0Ch	Reserved	-
0Dh	CD page	MMC-1
0Eh	CD audio control page	MMC-1
0Fh	Reserved	-
1Ah	Power Condition page	SPC
1Ch	Informational exceptions control page	SPC
1Dh - 1Fh	Reserved	-
20h - 29h	Vendor specific (page format required)	SPC
2Ah	CD Capabilities and Mechanism Status Page	MMC-1
2Bh - 3Eh	Vendor specific (page format required)	SPC
3Fh	Return all pages (valid only for mode sense command)	SPC

7.2.3.1. CD Capabilities and Mechanical Status Page

This page is read only and may not be set by the Mode Select command. The format and content of the page is defined in Table 230 below.

Table 230 - CD Capabilities and Mechanical Status Page

Bit Byte	7	6	5	4	3	2	1	0
0	PS	Reserved	Page Code (2Ah)					
1	Page Length (14h)							
2	Reserved		DVD-RAM Read	DVD-R Read	DVD-ROM Read	Method 2	CD-RW Read	CD-R Read
3	Reserved		DVD-RAM Write	DVD-R Write	Reserved	Test Write	CD-RW Write	CD-R Write
4	Reserved	Multi Session	Mode 2 Form 2	Mode 2 Form 1	Digital Port (2)	Digital Port (1)	Composite	Audio Play
5	Read Bar Code	UPC	ISRC	C2 Pointers are supported	R-W De-interleaved & corrected	R-W Supported	CD-DA Stream is Accurate	CD-DA Commands Supported
6	Loading Mechanism Type			Reserved	Eject (Individual or Cartridge)	Prevent Jumper	Lock State	Lock
7	Reserved			Side Change Capable	S/W Slot Selection (SSS)	Changer Supports Disc Present reporting	Separate Channel Mute Supported	Separate volume levels per channel
8	(MSB)	Maximum Read Speed Supported (in kbps) (MMC-1)						(LSB)
9	Obsolete - Reserved							
10	(MSB)	Number of Volume Levels Supported						(LSB)
11								
12	(MSB)	Buffer Size supported by Logical Unit (in KBytes)						(LSB)
13								
14	(MSB)	Current Read Speed Selected (in kbps) (MMC-1)						(LSB)
15	Obsolete - Reserved							
16	Reserved							
17	Reserved	Length			LSBF	RCK	BCK	Reserved
18	(MSB)	Maximum Write Speed Supported (in kbps) (MMC-1)						(LSB)
19	Obsolete -Reserved							
20	(MSB)	Copy Management Revision Supported						(LSB)
21								
22	Reserved							
23	Reserved							

The individual capabilities of the drive are specified by bytes 2 through 7. Each of the bits indicate that the specific capability is supported. A value of zero indicates that the capability is not supported; a value of one indicates the capability is supported.

Byte 2, Bit 0, CD-R Read, indicates the device supports reading of CD-R discs, including incomplete areas.

Byte 2, Bit 1, CD-RW Read, indicates the device supports reading of CD-RW discs.

Byte 2, Bit 2, Method 2, indicates the device supports the read function of CD media written with fixed packet tracks using Addressing Method 2.

Byte 2, Bit 3, DVD-ROM Read, (read only) when set to one, the Logical Unit shall support the read function of DVD-ROM disc.

Byte 2, Bit 4, DVD-R Read, (read only) when set to one, the Logical Unit shall support the read function of DVD-R disc.

Byte 2, Bit 5, DVD-RAM Read, (read only) when set to one, the Logical Unit shall support the read function of DVD-RAM disc.

Byte 3, Bit 0, CD-R Write, indicates the device supports writing CD-R discs.

Byte 3, Bit 1, CD-RW Write, when set to one, indicates the device supports writing CD-RW discs.

Byte 3, Bit 2, Test Write, when set to one, indicates the device supports the test write function. See Write Parameters Mode Page

Byte 3, Bit 4, DVD-R Write bit (read only) when set to one, the Logical Unit shall support the write function of DVD-R disc.

Byte 3, Bit 5, DVD-RAM Write bit (read only) when set to one, the Logical Unit shall support the write function of DVD-RAM disc.

Media Function Capabilities:

If CD-R Read Field is set to one, the Logical Unit shall support the read function of CD-R disc (Orange Book Part II).

If CD-R/RW Read Field is set to one, the Logical Unit shall support the read function of CD-R/RW disc (Orange Book Part III).

If Method 2 is set to one, the Logical Unit shall support the read function of CD-R media written using fixed packet tracks using Addressing Method 2.

If DVD-ROM Read bit (read only field) is set to one, the Logical Unit shall support the read function of DVD-ROM disc.

If DVD-RAM Read bit (read only field) is set to one, the Logical Unit shall support the read function of DVD-RAM disc.

If DVD-R Read bit (read only field) is set to one, the Logical Unit shall support the read function of DVD-R disc.

If CD-R Write Field is set to one, the Logical Unit shall support the write function of CD-R disc (Orange Book Part II).

If CD-R/RW Write Field is set to one, the Logical Unit shall support the write function of CD-R/RW disc (Orange Book Part III).

If the Test Write bit is set to one, the Logical Unit shall only accept data from the host and not write to the media.

The individual capabilities of the Logical Unit are specified by bytes 4 through 7. Each of the bits indicate if that specific capability is supported. A value of zero indicates that the capability is NOT supported; a value of one indicates the capability IS supported.

Bit 0 - Audio Play The Logical Unit is capable of Audio Play operation. This also indicates that the Logical Unit is capable of overlapping Play and other commands such as reading of the Sub-channel information.

Bit 1 - Composite The Logical Unit is capable of delivering a composite Audio and Video data stream.

Bit 2 - Digital Port(1) The Logical Unit supports digital output (IEC958) on port 1

Bit 3 - Digital Port(2) The Logical Unit supports digital output(IEC958) on port 2

Bit 4 - Mode 2 Form 1 The Logical Unit is capable of reading sectors in Mode 2 Form 1 (XA) format.

Bit 5 - Mode 2 Form 2 The Logical Unit is capable of reading sectors in Mode 2 Form 2 format. Bit 6 Multi Session The Logical Unit is capable of reading multiple session or Photo CD discs.

Bit 8 - CD-DA Commands Supported Red Book audio can be read using the READ-CD command.

Bit 9 - CD-DA Stream is Accurate This bit indicates that the Logical Unit supports an advanced feature that allows it to return to an audio location without losing place to continue the READ CD-DA command. 0 The Logical Unit is incapable of accurately restarting the CD-DA read operation, and a BUFFER OVERFLOW error shall be reported whenever a loss of streaming occurs. This error will be fatal and the command will have to be repeated from the beginning. 1 The Logical Unit can continue from a loss of streaming condition and no error will be generated.

Bit 10 - R-W Supported The commands that return Sub-channel data can return the combined R-W information.

Bit 11 - R-W De-interleaved & Corrected This indicates that the R-W sub-channel data will be returned de-interleaved and error corrected.

Bit 12 - C2 Pointers are Supported This indicates that the Logical Unit supports the C2 Error Pointers. This also indicates that the Logical Unit is capable of returning the C2 Error Pointers and C2 Block Error flags in the READ CD command. Bit 13 ISRC The Logical Unit can return the International Standard Recording Code Information.

Bit 14 - UPC The Logical Unit can return the Media Catalog Number (UPC)

Bit 15 - Read Bar Code The Logical Unit is capable of reading the disc bar code.

Bit 16 - Lock The PREVENT/ALLOW command is capable of actually locking the media into the Logical Unit.

Bit 17 - Lock State This indicates the current state of the Logical Unit. 0 The Logical Unit is currently in the allow (Unlocked) state. Media may be inserted or ejected. 1 The Logical Unit is currently in the prevent (Locked) state. Media loaded in the Logical Unit may not be removed via a soft or hard eject. If the Logical Unit is empty, media may not be inserted if the Prevent Jumper is not present. If the jumper is present, then media may be inserted.

Bit 18 - Prevent Jumper This indicates the state of the (Optional) Prevent/Allow Jumper. 0 Jumper is present. Logical Unit will power up to the allow state. Locking the Logical Unit with the Prevent/Allow Command shall NOT prevent the insertion of media. 1 Jumper is not present. Logical Unit will power up to the Prevent State (Locked). The Logical Unit will not accept new media or allow the ejection of media already loaded until an allow command is issued.

Bit 19 - Eject Command The Logical Unit can eject the disc via the normal START/STOP command with the LoEj bit set. If the mechanism is a Changer that uses a Cartridge, then this bit indicates that the Cartridge can be ejected.

Bit 20 - Reserved

Bit 21-23 - Loading Mechanism Type This field specifies the type of disc loading the Logical Unit supports.

- 0 0 0 Caddy type loading mechanism
- 0 0 1 Tray type loading mechanism
- 0 1 0 Popup type loading mechanism
- 0 1 1 Reserved
- 1 0 0 Changer with individually changeable discs
- 1 0 1 Changer using a Cartridge Mechanism
- 1 1 0 Reserved
- 1 1 1 Reserved

Bit 24 - Separate Volume Levels The audio level for each channel can be controlled independently.

Bit 25 - Separate Channel Mute The mute capability for each channel can be controlled independently.

Bit 26 - Supports Disc Present (SDP) This bit indicates that the Logical Unit contains an embedded changer, and that after a reset condition or if a cartridge is changed, it can report the exact contents of the slots. The response to the MECHANISM STATUS command will contain valid Disc is Present status information for all slots.

Bit 27 - Software Slot Selection (SSS) This bit controls the behavior of the LOAD/UNLOAD command when trying to load a Slot with no Disc present (see "Table 48 - Load/Unload or Optional Selection Operations" on page 101).

Bit 28 - Side Change Capable This bit indicates that the Logical Unit is capable of selecting both sides of the Discs. This capability can be reported for Logical Units that have changer functions.

The Number of Volume Levels Supported field returns the number of discrete levels. If the Logical Unit only supports turning audio on and off, the Number of Volume Levels field shall be set to 2.

The Buffer Size Supported field returns the number of bytes of buffer dedicated to the data stream returned to the Host Computer. This value is returned in Kbytes (Size/1024). If the Logical Unit does not have a buffer cache, the value returned shall be zero.

Byte 17 - is used to describe the format of the Logical Units digital output.

Bit 1 - BCKF Set if data valid on the falling edge of the BCK signal. Clear if data valid on the rising edge of the BCK signal

Bit 2 - RCK Set if HIGH on LRCK indicates left channel. Clear if HIGH on LRCK indicates right channel.

Bit 3 - LSBF Set if LSB first. Clear if MSB first.

Bit 4-5 - Length 00 32 BCKs 01 16 BCKs 10 24 BCKs 11 24 BCKs (I 2 S)

The Copy Management Revision Supported Field indicates the version of the DVD Copy Protection scheme that is supported by the Logical Unit. This shall be 0001h to comply with this specification.

Byte 4, Bit 0, Audio Play, indicates the drive is capable of Audio Play operation. This also indicates that the drive is capable of overlapping Play and other commands such as reading of Sub-channel information.

Byte 4, Bit 1, Composite, indicates the drive is capable of delivering a composite Audio and Video data stream.

Byte 4, Bit 2, Digital Port (1), indicates the drive supports digital output (IEC 958) on port 1.

Byte 4, Bit 3, Digital Port (2), indicates the drive supports digital output (IEC 958) on port 2.

Byte 4, Bit 4, Mode 2 Form 1, indicates the drive is capable of reading sectors in Mode 2 Form 1 (XA) format.

Byte 4, Bit 5, Mode 2 Form 2, indicates the drive is capable of reading sectors in Mode 2 Form 2 format.

Byte 4, Bit 6, Multi Session, indicates the drive is capable of reading multi-session discs.

Byte 5, Bit 0, CD-DA Commands Supported, audio can be read using the READ CD command.

Byte 5, Bit 1, CD-DA Stream is Accurate, indicates that the drive supports an advanced feature that allows it to return to an audio location without losing place to continue the READ CD command.

Bit 1 = 0 The drive is incapable of accurately restarting the CD-DA read operation, and a BUFFER OVERFLOW error shall be reported whenever a loss of streaming occurs. This error will be fatal and the command will have to be repeated from the beginning.

Bit 1 = 1 The drive can continue from a loss of streaming condition and no error will be generated.

Byte 5, Bit 2, R-W Supported, indicates the commands that return Sub-channel data can return the combined R-W information.

Byte 5, Bit 3, R-W De-interleaved & Corrected, indicates that the R-W sub-channel data will be returned de-interleaved and error corrected.

Byte 5, Bit 4, C2 Pointers are Supported, indicates that the drive supports the C2 Error Pointers. This also indicates that the drive is capable of returning the C2 Error Pointers and C2 Block Error bits in the READ CD command.

Byte 5, Bit 5, ISRC, indicates the drive can return the International Standard Recording Code Information.

Byte 5, Bit 6, UPC, the drive can return the Media Catalog Number (UPC)

Byte 5, Bit 7, Read Bar Code, indicates the device supports reading disc bar codes.

Byte 6, Bit 0, LOCK, indicates the PREVENT/ALLOW command is capable of actually locking the media into the drive.

Byte 6, Bit 1, Lock State, indicates the current state of the drive.

Bit 1 = 0 The drive is currently in the allow (Unlocked) state. Media may be inserted or ejected.

Bit 1 = 1 The drive is currently in the prevent (Locked) state. Media loaded in the drive may not be removed via soft or hard eject. If the drive is empty, media may not be inserted if the Prevent Jumper is not present. If the jumper is present, then media may be inserted.

Byte 6, Bit 2, Prevent Jumper, indicates the state of the (Optional) Prevent/Allow Jumper.

Bit 2 = 0 Jumper is present. Drive will power up to the allow state. Locking the drive with the Prevent/Allow command shall NOT prevent the insertion of media.

Bit 2 = 1 Jumper is not present. Drive will power up to the Prevent State (Locked). The drive will not accept new media or allow the ejection of media already loaded until an allow command is issued.

Byte 6, Bit 3, Eject Command, the drive can eject the disc via the normal START/STOP command with the LoEj bit set. If the mechanism is a Changer that uses a cartridge, then this bit indicates that the cartridge can be ejected.

Byte 6, Bit 5-7, Loading Mechanism Type, field specifies the type of disc loading the drive supports. Table 231 defines the field values.

Table 231 - Loading Mechanism Type

Bit 7	Bit 6	Bit 5	Definition
0	0	0	Caddy type loading mechanism
0	0	1	Tray type loading mechanism
0	1	0	Pop-up type loading mechanism
0	1	1	Reserved
1	0	0	Changer with individually changeable discs
1	0	1	Changer with cartridge Mechanism
1	1	0	Reserved
1	1	1	Reserved

Byte 7, Bit 0, Separate Volume Levels, indicates the audio level for each channel can be controlled independently.

Byte 7, Bit 1, Separate Channel Mute, indicates the mute capability for each channel can be controlled independently.

Byte 7, Bit 2, Individual Disc Present, indicates that the Device contains an embedded changer, and that after a reset condition or if a cartridge is change, it can report the exact contents of the slots. The response to the MECHANISM STATUS command will contain valid Disc is Present status information for all slots.

Byte 7, Bit 3, Software Slot Selection (SSS), controls the behavior of the LOAD/UNLOAD command when trying to load a Slot with no Disc present. See Table 64.

The Maximum Read Speed Supported field indicates the actual maximum data rate that the drive supports. This value is returned as the number of kilobytes per/second (Speed/1000) that the data is read from the drive. Table 232 identifies the data rates.

Table 232 - Data Rate Examples

Speed	Data Rate
1X	176 KBytes/second
2X	353 KBytes/second
2.2X	387 KBytes/second
3X	528 KBytes/second
4X	706 KBytes/second
8X	1.4 MBytes/second
16X	2.8 MBytes/second

Note that these are the raw data rates and do not reflect any overhead resulting from headers, error correction data, etc. that the reported data rate is a theoretical maximum and the actual data rates to the initiator may be lower.

The Number of Volume Levels Supported field returns the number of discrete levels. If the drive only supports turning audio on and off, the Number of Volume Levels shall be set to 2.

The Buffer Size Supported field returns the number of bytes of buffer dedicated to the data stream returned to the initiator. This value is returned in KBytes (Size/1024). If the drive does not have a buffer cache, the value returned shall be zero.

The Current Read Speed Selected field indicates the actual data rate that the drive is currently using. This value is returned as the number of kilobytes per/second (Speed/1000) that the data is read from the drive.

Byte 17 is used to describe the format of the drive's digital output.

Bit 1 BCKF Set if data valid on the falling edge of the BCK signal. Clear if data valid on rising edge of the BCK signal.

Bit 2 RCK Set if HIGH on LRCK indicates left channel. Clear if HIGH on LRCK indicates right channel.

Bit 3 LSBF Set if LSB first. Clear if MSB first.

Bit 4 -5 Length 00b = 32 BCKs
 01b = 16 BCKs
 10b = 24 BCKs
 11b = 24 BCKs (I²S)

The Maximum Write Speed Supported field indicates the actual maximum data rate that the drive supports independent of media type. This value is returned as the number of kilobytes per/second (Speed/1000) that the data may be written to the drive. Table 232 identifies the data rates.

The Current Write Speed Selected field indicates the actual data rate that the device is currently using. This value is returned as the number of kilobytes per/second (Speed/1000) that the data is read from the drive.

The verify error recovery parameters page (Table 233) specifies the error recovery parameter the target shall use during verify operations.

Table 233 - Verify error recovery parameters page

Bit Byte	7	6	5	4	3	2	1	0
0	PS	Reserved	Page Code (07h)					
1	Parameter Length (06h)							

2	Error Recovery Parameter
3	Verify Retry Count
4	Reserved
5	Reserved
6	Reserved
7	Reserved

The page savable (PS) bit is only used with the MODE SENSE command. This bit is reserved with the MODE SELECT command. A PS bit of one indicates that the target is capable of saving the page in a non-volatile vendor-specific location. The error recovery parameters for verify operations are as defined by the read error recovery parameters (see [*Table 245 - Read error recovery parameters page*](#)).

Table 234 - CD Devices, error recovery description

error code	description
00h	The maximum error recovery procedures available are used. If an error occurs which is uncorrectable with the error correction codes (ECC) on the media, data transfer is terminated with CHECK CONDITION status. The block with the error is not transferred. The sense key is set to MEDIUM ERROR. The information bytes give the address of the block where the un-recovered error was detected. Recovered errors are not reported.
01h	Only retries of the read operation and CIRC are used (layered error correction is not used). Only CIRC un-recovered data errors are reported. If an CIRC un-recovered data error occurs, data transfer is terminated with CHECK CONDITION status. The block with the error is not transferred. The sense key is set to MEDIUM ERROR. The information bytes give the address of the block where the un-recovered error was detected. Recovered errors are not reported.
04h	<p>The maximum error recovery procedures available are used. Recovered data errors are reported. If a recovered data error occurs, data transfer is not terminated. However, when the data transfer has completed CHECK CONDITION status is reported. The sense key is set to RECOVERED ERROR. The information bytes give the address of the last block where a recovered data error was detected.</p> <p>If a data error occurs that is uncorrectable with the ECC information available on the media, data transfer is terminated and CHECK CONDITION status is reported. The block with the error is not transferred. The sense key is set to MEDIUM ERROR. The information bytes give the address of the block where the uncorrectable error was detected.</p>
05h	<p>Only retries of the read operation and CIRC are used (layered error correction is not used). Recovered data errors are reported. If a recovered data error occurs, data transfer is not terminated. However, when the data transfer has completed CHECK CONDITION status is reported. The sense key is set to RECOVERED ERROR. The information bytes give the address of the last block where a CIRC recovered data error was detected.</p> <p>If an un-recovered data error occurs, data transfer is terminated and CHECK CONDITION status is reported. The block with the error is not transferred. The sense key is set to MEDIUM ERROR. The information bytes give the address of the block where the un-recovered error was detected.</p>
06h	<p>The maximum error recovery procedures are used. Recovered data errors are reported. If a recovered data error occurs data transfer is terminated and CHECK CONDITION status is reported. The block with the recovered error is not transferred. The sense key is set to RECOVERED ERROR. The information bytes give the address of the block where the recovered data error was detected.</p> <p>If a data error occurs that is uncorrectable with the ECC information on the medium, data transfer is terminated with CHECK CONDITION status. The block with the error is not transferred. The sense key is set to MEDIUM ERROR. The information bytes give the address of the block where the uncorrectable error was detected.</p>

Table 234 (cont.) - CD Devices, error recovery description

error code	description
07h	<p>Only retries of the read operation are used (layered error correction is not used). CIRC recovered data errors are reported. If a CIRC recovered data error occurs, data transfer is terminated with CHECK CONDITION status. The block with the recovered error is not transferred. The sense key is set to RECOVERED ERROR. The information bytes give the address of the block where the recovered data error was detected.</p> <p>If an CIRC un-recovered data error occurs, data transfer is terminated with CHECK CONDITION status. The block with the error is not transferred. The sense key is set to MEDIUM ERROR. The information bytes give the address of the block where the uncorrectable error was detected.</p>
10h	<p>If data transfer can be maintained, the maximum error recovery procedures available are used. (RC=1.) If an error occurs which is uncorrectable with the error codes (ECC) on the media, or is uncorrectable in time to maintain data transfer, the data transfer is not terminated. However, when the data transfer has completed, CHECK CONDITION status is reported. The sense key is set to MEDIUM ERROR. The information bytes give the address of the block where the first un-recovered error was detected. Recovered errors are not reported.</p>
11h	<p>If data transfer can be maintained, retries of the read operation and CIRC are used (layered error correction is not used). (RC=1.) Only CIRC un-recovered data errors are reported. If a CIRC un-recovered data error occurs, data transfer is not terminated. However, when data transfer has completed, CHECK CONDITION status is reported. The sense key is set to MEDIUM ERROR. The information bytes give the address of the block where the first un-recovered error was detected. Recovered errors are not reported.</p> <p>If a data error occurs that is uncorrectable with the ECC information available on the media, data transfer is terminated and CHECK CONDITION status is reported. The block with the error is not transferred. The sense key is set to MEDIUM ERROR. The information bytes give the address of the block where the uncorrectable error was detected.</p>
14h	<p>If data transfer can be maintained, the maximum error recovery procedures available are used. (RC=1.) Recovered data errors are reported. If a recovered data error occurs, data transfer is not terminated. However, when the data transfer has completed, CHECK CONDITION status is reported. The sense key is set to RECOVERED ERROR. The information bytes give the address of the block where a recovered data error was detected.</p> <p>If an data error occurs that is uncorrectable with the ECC information available on the media, or is uncorrectable in time to maintain data transfer, the data is not terminated. However, when the data transfer has completed, CHECK CONDITION status is reported. The sense key is set to MEDIUM ERROR. The information bytes give the address of the block where the first un-recovered error was detected. Reporting un-recovered errors takes precedence over reporting recovered errors.</p>
15h	<p>If data transfer can be maintained, retries of the read operation and CIRC are used (layered error correction is not used). (RC=1.) Recovered data errors are reported. If a recovered data error occurs, data transfer is not terminated. However, when the data transfer has completed CHECK CONDITION status is reported. The sense key is set to RECOVERED ERROR. The information bytes give the address of the block where a CIRC recovered data error was detected.</p> <p>If an un-recovered data error occurs, data transfer is not terminated. However, when the data transfer has completed CHECK CONDITION status is reported. The sense key is set to MEDIUM ERROR. The information bytes give the address of the block where the un-recovered error was detected. Recovered errors are not reported.</p>

Table 234 (cont.) - CD Devices, error recovery description

error code	description
20h	The maximum error recovery procedures available are used. If an error occurs which is uncorrectable with the error correction codes (ECC) on the media, data transfer is terminated with CHECK CONDITION status. The block with the error is transferred. The sense key is set to MEDIUM ERROR. The information bytes give the address of the block where the un-recovered error was detected. Recovered errors are not reported.
21h	Only retries of the read operation and CIRC are used (layered error correction is not used). Only CIRC un-recovered data errors are reported. If an CIRC un-recovered data error occurs, data transfer is terminated with CHECK CONDITION status. The block with the error is transferred. The sense key is set to MEDIUM ERROR. The information bytes give the address of the block where the un-recovered error was detected. Recovered errors are not reported.
24h	<p>The maximum error recovery procedures available are used. Recovered data errors are reported. If a recovered data error occurs, data transfer is not terminated. However, when the data transfer has completed, CHECK CONDITION status is reported. The sense key is set to RECOVERED ERROR. The information bytes give the address of the last block where a recovered data error was detected.</p> <p>If a data error occurs that is uncorrectable with the ECC information available on the media, data transfer is terminated and CHECK CONDITION status is reported. The block with the error is transferred. The sense key is set to MEDIUM ERROR. The information bytes give the address of the block where the uncorrectable error was detected.</p>
25h	<p>Only retries of the read operation and CIRC are used (layered error correction is not used). Recovered data errors are reported. If a recovered data error occurs, data transfer is not terminated. However, when the data transfer has completed CHECK CONDITION status is reported. The sense key is set to RECOVERED ERROR. The information bytes give the address of the last block where a CIRC recovered data error was detected.</p> <p>If an un-recovered data error occurs, data transfer is terminated and CHECK CONDITION status is reported. The block with the error is transferred. The sense key is set to MEDIUM ERROR. The information bytes give the address of the block where the un-recovered error was detected.</p>
26h	<p>The maximum error recovery procedures are used. Recovered data errors are reported. If a recovered data error occurs data transfer is terminated and CHECK CONDITION status is reported. The block with the recovered error is transferred. The sense key is set to RECOVERED ERROR. The information bytes give the address of the block where the recovered data error was detected.</p> <p>If a data error occurs that is uncorrectable with the ECC information on the medium, data transfer is terminated with CHECK CONDITION status. The block with the error is transferred. The sense key is set to MEDIUM ERROR. The information bytes give the address of the block where the uncorrectable error was detected.</p>

Table 234 (cont.) - CD Devices, error recovery description

error code	description
27h	<p>Only retries of the read operation are used (layer error correction is not used). CIRC recovered data errors are reported. If a CIRC recovered data error occurs, data transfer is terminated with CHECK CONDITION status. The block with the recovered error is transferred. The sense key is set to RECOVERED ERROR. The information bytes give the address of the block where the recovered data error was detected.</p> <p>If a CIRC un-recovered data error occurs, data transfer is terminated with CHECK CONDITION status. The block with the error is transferred. The sense key is set to MEDIUM ERROR. The information bytes give the address of the block where the un-recovered error was detected.</p>
30h	Same as code 10h
31h	Same as code 11h
34h	Same as code 14h
35h	Same as code 15h

7.3. Write Parameters

This sub-clause contains information common to all write commands.

7.3.1. Mode Select/Sense Parameters

This section describes the pages used with MODE SELECT and MODE SENSE commands.

The Mode Parameter List (Table 235) contains a header, followed by zero or more variable length pages.

Table 235- Mode Parameter List

Bit Byte	7	6	5	4	3	2	1	0
0 - n	Mode Parameter Header							
0 - n	Page(s)							

Each mode page (Table 236) contains a page code, a page length, and a set of mode parameters.

Table 236- Mode Page Codes for C/DVD

Page Code	Description	Section	Type
00h	Vendor-specific (does not require page format)		
01h	C/DVD Read/Write error recovery page	9.1.3.1 on page 114	Mandatory
02h - 07h	Reserved		
08h - 0Dh	Reserved		
0Eh	CD audio control page	9.1.3.3 on page 120	Audio Feature set
0Fh - 17h	Reserved		
18h	Feature Set Support & Version page	9.1.3.4 on page 122	Mandatory
19h	Reserved		
1Ah	Power Condition Page	9.1.3.2 on page 119	Mandatory
1Bh	Reserved		
1Ch	Fault/Failure Reporting Page	9.1.3.5 on page 123	Smart Feature set
1Dh	C/DVD Inactivity page	9.1.3.6 on page 125	Mandatory
1Eh - 1Fh	Reserved		
2Ah	C/DVD Capabilities & Mechanical Status Page	9.1.3.F on page 126	Mandatory
20h - 29H 2Bh - 3Eh	Vendor - specific (page format required)		
3Fh	Return all pages (valid only for the Mode Sense command)		

Table 237 - Mode Page Format

Bit Byte	7	6	5	4	3	2	1	0
0	PS/ Reserved	Reserved	Page Code					
1	Page Length (n - 1)							
2	Mode Parameter							
n								

When using the MODE SENSE command, a Parameters Savable (PS) bit of one indicates that the mode page can be saved by the C/DVD Logical Unit in a non-volatile, vendor-specific location. A PS bit of zero indicates that the supported parameters cannot be saved. When using the MODE SELECT command, the PS bit is reserved.

The Page Code field identifies the format and parameters defined for that mode page.

When using the MODE SENSE command, if Page Code 00h (vendor-specific page) is implemented, the C/DVD Logical Unit shall return that page last in response to a request to return all pages (page code 3Fh). When using the MODE SELECT command, this page shall be sent last.

The Page Length field specifies the length in bytes of the mode parameters that follow. If the Host Computer does not set this value to the value that is returned for the page by the MODE SENSE command, the C/DVD Logical Unit shall terminate the command with CHECK CONDITION status. The sense key shall be set to ILLEGAL REQUEST with the additional sense code set to INVALID FIELD IN PARAMETER LIST. The C/DVD Logical Unit is permitted to implement a mode page that is less than the full page length defined in this Specification, provided no field is truncated and the Page Length field correctly specifies the actual length implemented.

The mode parameters for each page are defined here. Mode parameters not implemented by the C/DVD Logical Unit shall be set to zero.

Table 238 - Mode Parameter Header

Bit Byte	7	6	5	4	3	2	1	0
0	(MSB) Mode Data Length (LSB)							
1								
2	Reserved Obsolete (Medium Type Code)							
3	Reserved							
4	Reserved							
5	Reserved							
6	Block Descriptor Length 0 (8 for legacy SCSI logical units)							
7								

When using the MODE SENSE command, the mode data length field specifies the length in bytes of the following data that is available to be transferred. The mode data length is the total byte count of all data following the mode data length field. When using the MODE SELECT command, this field is reserved.

The block descriptor associated with the Mode Select and Mode Sense commands is used for legacy system support for SCSI systems. If supported, block sizes (see “Block Descriptor Block Sizes for Read” on page 114.) shall include 2048 and may include 512, 2056, 2324, 2332, 2336, 2340, 2352, 2368, and 2448 bytes. The Table of Block Sizes for Read shows the implementation of the various block sizes. These definitions apply for reading with the Read commands. Other block sizes are allowed and the contents of those blocks is not specified by this specification.

In a SCSI Logical Unit, if the block descriptor is not supported and the DBD bit in the Mode Sense command Packet is set to zero, the device shall respond with CHECK CONDITION status, ILLEGAL FIELD IN COMMAND PACKET.

Table 239 - Block Descriptor Block Sizes for Read

Size	Readable block types
512	Mode 1 or Mode 2 Form 1 sectors divided into four blocks each
2048	Mode 1, Mode2 Form1, or DVD
2056	Mode 2 Form 1 with subheader. Equivalent to READ CD, Flag = 50h.
2324	Mode 2 Form 2 with no subheader. Note: There is no mapping to READ CD, as the 4 spare bytes are not returned.
2332	Mode 2, Form1 or 2 data. The drive shall operate as specified for 2048 byte blocks except that both forms send 2332 byte blocks. Form 1 blocks return the third layer ECC with the user data. There is no mapping to READ CD, as the 4 spare bytes are not returned.
2336	Mode 2 data. The drive shall operate as specified for 2048 byte block lengths. This mode will include all data including Yellow Book Mode 2 sectors and Form1 & 3. Equivalent to READ CD, Flag = 58h.
2340	All bytes except the synchronization field. Equivalent to READ CD, Flag = 78h.
2352	Audio or raw blocks. The drive shall operate as specified for 2048 byte block lengths. Reads of data mode sectors shall return descrambled data. Equivalent to READ CD, Flag = F8h
2448 or 2368	Audio or raw blocks with raw sub-channel. The drive shall not perform the data descrambling operation. Equivalent to READ CD, Flag = F8. Sub-channel data selection = 010b (2448) or sub-channel data selection = 001b (2368).

7.3.2. Feature Set Support & Version Page

The Feature Set Support & Version page (Table 240) specifies which sets and their versions that are supported. Each entry in the page contains 16 bits. Each bit in the entry correspond to one version. The least significant bit the first version supported. All logical units that support a feature as specified in this specification shall set bit 0 to one. All other bits are reserved.

This page is read only and shall not be changeable by the host.

Table 240 - Feature Set Support & Version Page Format

Bit Byte	7	6	5	4	3	2	1	0
0	PS (Optional) Default 0	Reserved	Page Code (18h)					
1	Page Length (16h)							
2	(MSB) CD Audio							
3	(LSB)							
4	(MSB) Embedded Changer							
5	(LSB)							
6	(MSB) Packet SMART							
7	(LSB)							
8	(MSB) Persistent Prevent (MESN)							

9		(LSB)
10	(MSB)	Event Status Notification
11		(LSB)
12	(MSB)	Digital Output
13		(LSB)
14	(MSB)	CD Sequential Recordable
15		(LSB)
16	(MSB)	DVD Sequential Recordable
17		(LSB)
18	(MSB)	Random Recordable
19		(LSB)
20	(MSB)	Key Exchange
21		(LSB)
22		Reserved
23		Reserved

The Parameters Savable (PS) bit is only used with the MODE SENSE command. This bit is reserved with the MODE SELECT command. A PS bit of one indicates that the C/DVD Logical Unit is capable of saving the page in a non-volatile vendor-specific location. The PS bit is optional.

7.3.2.1. CD Audio Control parameters

The CD audio control parameters page (Table 241) sets the playback modes and output controls for subsequent PLAY AUDIO commands and any current audio playback operation.

Table 241 - CD Audio Control parameters page

Bit Byte	7	6	5	4	3	2	1	0
0	PS	Reserved	Page Code (0Eh)					
1	Page Length (0Eh)							
2	Reserved				IMMED	SOTC	Reserved	
3	Reserved							
4	Reserved							
5	Obsolete							
6	Obsolete							
7	Obsolete							
8	Reserved			Output Port 0 Channel Selection				
9	Output Port 0 Volume							
10	Reserved			Output Port 1 Channel Selection				
11	Output Port 1 Volume							
12	Reserved			Output Port 2 Channel Selection				
13	Output Port 2 Volume							
14	Reserved			Output Port 3 Channel Selection				
15	Output Port 3 Volume							

The parameters savable (PS) bit is only used with the MODE SENSE command. This bit is reserved with the MODE SELECT command. A PS bit of one indicates that the target is capable of saving the page in a non-volatile vendor-specific location.

An immediate (Immed) bit of zero indicates the target shall not send completion status until the audio playback operation is terminated.

An Immed bit of one indicates the target shall send completion status as soon as the playback operation has been started.

NOTE: It is recommended that a Logical Unit reservation be established prior to starting audio play operations with an Immed bit of one in any multiple initiator environment.

A stop on track crossing (SOTC) bit of zero indicates the target shall terminate the audio playback operation when the transfer length is satisfied. Multiple tracks shall be played as necessary. Periods of time encoded as audio pause/silence at the beginning of tracks, (index 0) shall also be played.

A stop on track crossing (SOTC) bit of one indicates the target shall terminate the audio playback operation when the start of a following track is encountered.

The output port channel selection specifies the audio channels from the disc to which this output port should be connected (Table 242). More than one output port may be connected to an audio channel. More than one audio channel may be connected to an output port.

Table 242 - Output port channel selection

code	description
0000b	output port muted
0001b	connect audio channel 0 to this output port
0010b	connect audio channel 1 to this output port
0100b	connect audio channel 2 to this output port
1000b	connect audio channel 3 to this output port

The channel volume control indicates the relative volume level for this audio output port. A value of zero indicates the output is muted, and a value of FFh indicates maximum volume level. The default values for Output Port 0 and Output Port 1 should be set to FFh, and Output Port 2 and Output Port 3 should be set to zero.

7.3.2.2. CD device parameters

The CD parameters page (Table 243) specifies parameters that affect all CD-ROM data types.

Table 243 - CD parameters page

Bit Byte	7	6	5	4	3	2	1	0
0	PS	Reserved	Page Code (0Dh)					
1	Parameter Length (06h)							
2	Reserved							
3	Reserved				Inactivity Timer Multiplier			
4	(MSB) Number Of MSF - S Units Per MSF - M Unit							
5	(LSB)							
6	(MSB) Number Of MSF - F Units Per MSF - S Unit							
7	(LSB)							

The parameters savable (PS) bit is only used with the MODE SENSE command. This bit is reserved with the MODE SELECT command. A PS bit of one indicates that the target is capable of saving the page in a non-volatile vendor-specific location.

The inactivity timer value specifies the length of time that the drive shall remain in the hold track state after completion of a seek or read operation (Table 244).

Table 244 - Inactivity timer multiplier values

Inactivity timer value	minimum time in hold track state	Inactivity timer value	Minimum time in hold track state
0	Vendor-specific	8	16 s
1	125 ms	9	32 s
2	250 ms	Ah	1 min.
3	500 ms	Bh	2 min.
4	1 s	Ch	4 min.
5	2 s	Dh	8 min.
6	4 s	Eh	16 min.
7	8 s	Fh	32 min.

The number of S units per M unit field gives the ratio of these MSF address values. For media conforming to the CD data and CD-DA standard, this value is 60.

The number of F units per S unit field gives the ratio of these MSF address values. For media conforming to the CD data and CD-DA standard, this value is 75.

7.3.2.3. Read error recovery parameters

The read error recovery parameters page (Table 245) specifies the error recovery parameters the target shall use during any command that performs a data read operation to the media (e.g. READ, READ TOC/PMA/ATIP, etc.).

Table 245 - Read error recovery parameters page

Bit Byte	7	6	5	4	3	2	1	0
0	PS	Reserved	Page Code (01h)					
1	Parameter Length (06h)							
2	Error Recovery Parameter							
3	Read Retry Count							
4	Reserved							
5	Reserved							
6	Reserved							
7	Reserved							

The parameters savable (PS) bit is only used with the MODE SENSE command. This bit is reserved with the MODE SELECT command. A PS bit of one indicates that the target is capable of saving the page in a non-volatile vendor-specific location. The error recovery parameter bits are defined in SCSI Block Commands.

NOTE: The implementation of error recovery procedures for CD devices is markedly different from those used for magnetic medium disk drives. At least one level of error correction (i.e. CIRC) is required to transfer the data stream. Therefore, the performance of the drive may differ substantially from what would be expected by sending the same error recovery parameters to a magnetic medium device.

The correlation of the error recovery parameter and the bit settings defined for CD devices is given in Table 246. The interpretation of these codes for CD devices is given in Table 234. If the error recovery parameter is set to any other value, the command shall be terminated with CHECK CONDITION status. The sense key shall be set to ILLEGAL REQUEST and the additional sense code set to INVALID FIELD IN PARAMETER LIST.

Table 246 - Error Recovery Parameter Bit Settings

Error Recovery Parameter	Bit Settings 7 6 5 4 3 2 1 0	Error Recovery Parameter	Bit Settings 7 6 5 4 3 2 1 0
00h	R R 0 0 R 0 0 0	20h	R R 1 0 R 0 0 0
01h	R R 0 0 R 0 0 1	21h	R R 1 0 R 0 0 1
04h	R R 0 0 R 1 0 0	24h	R R 1 0 R 1 0 0
05h	R R 0 0 R 1 0 1	25h	R R 1 0 R 1 0 1
06h	R R 0 0 R 1 1 0	26h	R R 1 0 R 1 1 0
07h	R R 0 0 R 1 1 1	27h	R R 1 0 R 1 1 1
10h	R R 0 1 R 0 0 0	30h	R R 1 1 R 0 0 0
11h	R R 0 1 R 0 0 1	31h	R R 1 1 R 0 0 1
14h	R R 0 1 R 1 0 0	34h	R R 1 1 R 1 0 0
15h	R R 0 1 R 1 0 1	35h	R R 1 1 R 1 0 1

R = Reserved and shall be set to zero

Annex A Additional Sense Codes for CD (normative)

This annex lists error codes expected to be generated by CD devices. Specific commands specify that certain errors occur in response to certain conditions, but each command does not contain a comprehensive list of possible error conditions.

A.1. Error Reporting

Any error may be reported in response to any command due to the occurrence of a deferred error. For example, a write error may occur due to a cached write command and that error shall be reported in response to the next command.

Errors listed in Table A.2 are not caused by any specific commands but by actions outside the control of the initiator.

Table A.1 lists all errors that may be generated by CD devices. Not all errors are applicable to all devices.

Table A.1 - CD Device Sense Key, ASC and ASCQ Assignments

Sense Key	ASC	ASCQ	Type	Description
0	00	00	R	NO ADDITIONAL SENSE INFORMATION
b	00	06	R	I/O PROCESS TERMINATED
5	00	11	R	AUDIO PLAY OPERATION IN PROGRESS
4	00	17	R	CLEANING REQUESTED
3	02	00	R	NO SEEK COMPLETE
2	04	00	R	LOGICAL UNIT NOT READY, CAUSE NOT REPORTABLE
2	04	01	R	LOGICAL UNIT IS IN PROCESS OF BECOMING READY
2	04	02	R	LOGICAL UNIT NOT READY, INITIALIZING CMD. REQUIRED
2	04	03	R	LOGICAL UNIT NOT READY, MANUAL INTERVENTION REQUIRED
2	04	04	++R	LOGICAL UNIT NOT READY, FORMAT IN PROGRESS
2	04	07	R	LOGICAL UNIT NOT READY, OPERATION IN PROGRESS
2	04	08	R	LOGICAL UNIT NOT READY, LONG WRITE IN PROGRESS
4	05	00	R	LOGICAL UNIT DOES NOT RESPOND TO SELECTION
3	06	00	R	NO REFERENCE POSITION FOUND
5	07	00	R	MULTIPLE PERIPHERAL DEVICES SELECTED
4	08	00	R	LOGICAL UNIT COMMUNICATION FAILURE
4	08	01	R	LOGICAL UNIT COMMUNICATION TIME-OUT
4	08	02	R	LOGICAL UNIT COMMUNICATION PARITY ERROR
4	09	00	R	TRACK FOLLOWING ERROR
4	09	01	R	TRACKING SERVO FAILURE
4	09	02	R	FOCUS SERVO FAILURE
4	09	03	R	SPINDLE SERVO FAILURE
4	09	04	R	HEAD SELECT FAULT
6	0A	00	R	ERROR LOG OVERFLOW
1	0B	00	R	WARNING
1	0B	01	R	WARNING - SPECIFIED TEMPERATURE EXCEEDED
1	0B	02	R	WARNING - ENCLOSURE DEGRADED
3	0C	00	R	WRITE ERROR
3	0C	07	R	WRITE ERROR - RECOVERY NEEDED
3	0C	08	R	WRITE ERROR - RECOVERY FAILED
3	0C	09	R	WRITE ERROR - LOSS OF STREAMING
3	0C	0A	R	WRITE ERROR - PADDING BLOCKS ADDED

All values are in hex

Table A.1 (cont.) - CD Device Sense Key, ASC and ASCQ Assignments

Sense Key	ASC	ASCQ	Type	Description
3	11	00	R	UNRECOVERED READ ERROR
3	11	01	++R	READ RETRIES EXHAUSTED
3	11	02	++R	ERROR TOO LONG TO CORRECT
3	11	05	R	L-EC UNCORRECTABLE ERROR
3	11	06	R	CIRC UNRECOVERED ERROR
3	11	0F	R	ERROR READING UPC/EAN NUMBER
3	11	10	R	ERROR READING ISRC NUMBER
b	11	11	++R	READ ERROR - LOSS OF STREAMING
3	15	00	R	RANDOM POSITIONING ERROR
3	15	01	R	MECHANICAL POSITIONING ERROR
3	15	02	R	POSITIONING ERROR DETECTED BY READ OF MEDIUM
1	17	00	R	RECOVERED DATA WITH NO ERROR CORRECTION APPLIED
1	17	01	R	RECOVERED DATA WITH RETRIES
1	17	02	R	RECOVERED DATA WITH POSITIVE HEAD OFFSET
1	17	03	R	RECOVERED DATA WITH NEGATIVE HEAD OFFSET
1	17	04	R	RECOVERED DATA WITH RETRIES AND/OR CIRC APPLIED
1	17	05	R	RECOVERED DATA USING PREVIOUS SECTOR ID
1	17	07	++R	RECOVERED DATA WITHOUT ECC - RECOMMEND REASSIGNMENT
1	17	08	++R	RECOVERED DATA WITHOUT ECC - RECOMMEND REWRITE
1	17	09	++R	RECOVERED DATA WITHOUT ECC - DATA REWRITTEN
1	18	00	R	RECOVERED DATA WITH ERROR CORRECTION APPLIED
1	18	01	R	RECOVERED DATA WITH ERROR CORR. & RETRIES APPLIED
1	18	02	R	RECOVERED DATA - DATA AUTO-REALLOCATED
1	18	03	R	RECOVERED DATA WITH CIRC
1	18	04	R	RECOVERED DATA WITH L-EC
1	18	05	R	RECOVERED DATA - RECOMMEND REASSIGNMENT
1	18	06	R	RECOVERED DATA - RECOMMEND REWRITE
5	1A	00	R	PARAMETER LIST LENGTH ERROR
4	1B	00	R	SYNCHRONOUS DATA TRANSFER ERROR
a	1D	00	++R	MISCOMPARE DURING VERIFY OPERATION
5	20	00	R	INVALID COMMAND OPERATION CODE
5	21	00	R	LOGICAL BLOCK ADDRESS OUT OF RANGE
5	21	01	R	INVALID ELEMENT ADDRESS
5	24	00	R	INVALID FIELD IN CDB
5	25	00	R	LOGICAL UNIT NOT SUPPORTED

All values are in hex

Table A.1 (cont.) - CD Device Sense Key, ASC and ASCQ Assignments

Sense Key	ASC	ASCQ	Type	Description
5	26	00	R	INVALID FIELD IN PARAMETER LIST
5	26	01	R	PARAMETER NOT SUPPORTED
5	26	02	R	PARAMETER VALUE INVALID
5	26	03	R	THRESHOLD PARAMETERS NOT SUPPORTED
5	26	04	R	INVALID RELEASE OF ACTIVE PERSISTENT RESERVATION
5	27	00	++R	WRITE PROTECTED
5	27	01	++R	HARDWARE WRITE PROTECTED
5	27	02	++R	LOGICAL UNIT SOFTWARE WRITE PROTECTED
5	27	03	++R	ASSOCIATED WRITE PROTECT
5	27	04	++R	PERSISTENT WRITE PROTECT
5	27	05	++R	PERMANENT WRITE PROTECT
6	28	00	R	NOT READY TO READY CHANGE, MEDIUM MAY HAVE CHANGED
6	28	01	R	IMPORT OR EXPORT ELEMENT ACCESSED
6	29	00	R	POWER ON, RESET, OR BUS DEVICE RESET OCCURRED
6	29	01	R	POWER ON OCCURRED
6	29	02	R	SCSI BUS RESET OCCURRED
6	29	03	R	BUS DEVICE RESET FUNCTION OCCURRED
6	29	04	R	DEVICE INTERNAL RESET
6	2A	00	R	PARAMETERS CHANGED
6	2A	01	R	MODE PARAMETERS CHANGED
6	2A	02	R	LOG PARAMETERS CHANGED
6	2A	03	R	RESERVATIONS PREEMPTED
5	2B	00	R	COPY CANNOT EXECUTE SINCE HOST CANNOT DISCONNECT
5	2C	00	R	COMMAND SEQUENCE ERROR
5	2C	03	R	CURRENT PROGRAM AREA IS NOT EMPTY
5	2C	04	R	CURRENT PROGRAM AREA IS EMPTY
6	2F	00	R	COMMANDS CLEARED BY ANOTHER INITIATOR
2	30	00	R	INCOMPATIBLE MEDIUM INSTALLED
2	30	01	R	CANNOT READ MEDIUM - UNKNOWN FORMAT
2	30	02	R	CANNOT READ MEDIUM - INCOMPATIBLE FORMAT
2	30	03	++R	CLEANING CARTRIDGE INSTALLED
2	30	04	R	CANNOT WRITE MEDIUM - UNKNOWN FORMAT
2	30	05	R	CANNOT WRITE MEDIUM - INCOMPATIBLE FORMAT
2	30	06	++R	CANNOT FORMAT MEDIUM - INCOMPATIBLE MEDIUM
2	30	07	R	CLEANING FAILURE
5	30	08	R	CANNOT WRITE - APPLICATION CODE MISMATCH
5	30	09	R	CURRENT SESSION NOT FIXATED FOR APPEND

All values are in hex

Table A.1 (cont.) - CD Device Sense Key, ASC and ASCQ Assignments

Sense Key	ASC	ASCQ	Type	Description
3	31	00	R	MEDIUM FORMAT CORRUPTED
3	31	01	R	FORMAT COMMAND FAILED
	34	00	R	ENCLOSURE FAILURE
	35	00	R	ENCLOSURE SERVICES FAILURE
	35	01	R	UNSUPPORTED ENCLOSURE FUNCTION
	35	02	R	ENCLOSURE SERVICES UNAVAILABLE
	35	03	R	ENCLOSURE SERVICES TRANSFER FAILURE
	35	04	R	ENCLOSURE SERVICES TRANSFER REFUSED
1	37	00	R	ROUNDED PARAMETER
5	39	00	R	SAVING PARAMETERS NOT SUPPORTED
2	3A	00	R	MEDIUM NOT PRESENT
2	3A	01	++R	MEDIUM NOT PRESENT - TRAY CLOSED
2	3A	02	++R	MEDIUM NOT PRESENT - TRAY OPEN
6	3B	0D	R	MEDIUM DESTINATION ELEMENT FULL
6	3B	0E	R	MEDIUM SOURCE ELEMENT EMPTY
6	3B	0F	R	END OF MEDIUM REACHED
6	3B	11	R	MEDIUM MAGAZINE NOT ACCESSIBLE
6	3B	12	R	MEDIUM MAGAZINE REMOVED
6	3B	13	R	MEDIUM MAGAZINE INSERTED
6	3B	14	R	MEDIUM MAGAZINE LOCKED
6	3B	15	R	MEDIUM MAGAZINE UNLOCKED
5	3D	00	R	INVALID BITS IN IDENTIFY MESSAGE
2	3E	00	R	LOGICAL UNIT HAS NOT SELF-CONFIGURED YET
4	3E	01	++R	LOGICAL UNIT FAILURE
4	3E	02	++R	TIMEOUT ON LOGICAL UNIT
6	3F	00	R	TARGET OPERATING CONDITIONS HAVE CHANGED
6	3F	01	R	MICROCODE HAS BEEN CHANGED
6	3F	02	R	CHANGED OPERATING DEFINITION
6	3F	03	R	INQUIRY DATA HAS CHANGED
4	40	NN	R	DIAGNOSTIC FAILURE ON COMPONENT NN (80H-FFH)
5	43	00	R	MESSAGE ERROR
4	44	00	R	INTERNAL TARGET FAILURE
b	45	00	R	SELECT OR RESELECT FAILURE
4	46	00	R	UNSUCCESSFUL SOFT RESET
4	47	00	R	SCSI PARITY ERROR
b	48	00	R	INITIATOR DETECTED ERROR MESSAGE RECEIVED
b	49	00	R	INVALID MESSAGE ERROR

All values are in hex

Table A.1 (cont.) - CD Device Sense Key, ASC and ASCQ Assignments

Sense Key	ASC	ASCQ	Type	Description
4	4A	00	R	COMMAND PHASE ERROR
4	4B	00	R	DATA PHASE ERROR
4	4C	00	R	LOGICAL UNIT FAILED SELF-CONFIGURATION
b	4D	NN	R	TAGGED OVERLAPPED COMMANDS (NN = QUEUE TAG)
b	4E	00	R	OVERLAPPED COMMANDS ATTEMPTED
3	51	00	++R	ERASE FAILURE
4	53	00	R	MEDIA LOAD OR EJECT FAILED
5	53	02	R	MEDIUM REMOVAL PREVENTED
3	57	00	R	UNABLE TO RECOVER TABLE-OF-CONTENTS
6	5A	00	R	OPERATOR REQUEST OR STATE CHANGE INPUT
6	5A	01	R	OPERATOR MEDIUM REMOVAL REQUEST
6	5A	02	++R	OPERATOR SELECTED WRITE PROTECT
6	5A	03	++R	OPERATOR SELECTED WRITE PERMIT
6	5B	00	R	LOG EXCEPTION
6	5B	01	R	THRESHOLD CONDITION MET
6	5B	02	R	LOG COUNTER AT MAXIMUM
6	5B	03	R	LOG LIST CODES EXHAUSTED
6	5D	00	R	FAILURE PREDICTION THRESHOLD EXCEEDED
6	5D	FF	R	FAILURE PREDICTION THRESHOLD EXCEEDED (FALSE)
6	5E	00	R	LOW POWER CONDITION ON
6	5E	01	R	IDLE CONDITION ACTIVATED BY TIMER
6	5E	02	R	STANDBY CONDITION ACTIVATED BY TIMER
6	5E	03	R	IDLE CONDITION ACTIVATED BY COMMAND
6	5E	04	R	STANDBY CONDITION ACTIVATED BY COMMAND
5	63	00	R	END OF USER AREA ENCOUNTERED ON THIS TRACK
5	63	01	R	PACKET DOES NOT FIT IN AVAILABLE SPACE
5	64	00	R	ILLEGAL MODE FOR THIS TRACK
5	64	01	R	INVALID PACKET SIZE
4	65	00	R	VOLTAGE FAULT

All values are in hex

Table A.1 (cont.) - CD Device Sense Key, ASC and ASCQ Assignments

Sense Key	ASC	ASCQ	Type	Description
3	72	00	R	SESSION FIXATION ERROR
3	72	01	R	SESSION FIXATION ERROR WRITING LEAD-IN
3	72	02	R	SESSION FIXATION ERROR WRITING LEAD-OUT
5	72	03	R	SESSION FIXATION ERROR - INCOMPLETE TRACK IN SESSION
5	72	04	R	EMPTY OR PARTIALLY WRITTEN RESERVED TRACK
3	73	00	R	CD CONTROL ERROR
1	73	01	R	POWER CALIBRATION AREA ALMOST FULL
3	73	02	R	POWER CALIBRATION AREA IS FULL
3	73	03	R	POWER CALIBRATION AREA ERROR
3	73	04	R	PROGRAM MEMORY AREA UPDATE FAILURE
3	73	05	R	PROGRAM MEMORY AREA IS FULL

All values are in hex

Table A.2 lists errors that may occur at any time, typically in response to a protocol or hardware error or user intervention.

Table A.2 - CD General Errors

Sense Key	ASC	ASCQ		Description
0	00	00	R	NO ADDITIONAL SENSE INFORMATION
b	00	06	R	I/O PROCESS TERMINATED
2	04	00	R	LOGICAL UNIT NOT READY, CAUSE NOT REPORTABLE
2	04	01	R	LOGICAL UNIT IS IN PROCESS OF BECOMING READY
2	04	02	R	LOGICAL UNIT NOT READY, INITIALIZING CMD. REQUIRED
2	04	03	R	LOGICAL UNIT NOT READY, MANUAL INTERVENTION REQUIRED
2	04	04	++R	LOGICAL UNIT NOT READY, FORMAT IN PROGRESS
2	04	07	R	LOGICAL UNIT NOT READY, OPERATION IN PROGRESS
2	04	08	R	LOGICAL UNIT NOT READY, LONG WRITE IN PROGRESS
4	05	00	R	LOGICAL UNIT DOES NOT RESPOND TO SELECTION
5	07	00	R	MULTIPLE PERIPHERAL DEVICES SELECTED
4	08	00	R	LOGICAL UNIT COMMUNICATION FAILURE
4	08	01	R	LOGICAL UNIT COMMUNICATION TIME-OUT
4	08	02	R	LOGICAL UNIT COMMUNICATION PARITY ERROR
6	0A	00	R	ERROR LOG OVERFLOW
1	0B	00	R	WARNING
1	0B	01	R	WARNING - SPECIFIED TEMPERATURE EXCEEDED
1	0B	02	R	WARNING - ENCLOSURE DEGRADED
5	1A	00	R	PARAMETER LIST LENGTH ERROR
4	1B	00	R	SYNCHRONOUS DATA TRANSFER ERROR
5	20	00	R	INVALID COMMAND OPERATION CODE
5	24	00	R	INVALID FIELD IN CDB
5	25	00	R	LOGICAL UNIT NOT SUPPORTED
5	26	00	R	INVALID FIELD IN PARAMETER LIST
5	26	01	R	PARAMETER NOT SUPPORTED
5	26	02	R	PARAMETER VALUE INVALID
6	28	00	R	NOT READY TO READY CHANGE, MEDIUM MAY HAVE CHANGED
6	29	00	R	POWER ON, RESET, OR BUS DEVICE RESET OCCURRED
6	29	01	R	POWER ON OCCURRED
6	29	02	R	SCSI BUS RESET OCCURRED
6	29	03	R	BUS DEVICE RESET FUNCTION OCCURRED
6	29	04	R	DEVICE INTERNAL RESET
6	2A	00	R	PARAMETERS CHANGED
6	2A	01	R	MODE PARAMETERS CHANGED
6	2A	02	R	LOG PARAMETERS CHANGED
6	2F	00	R	COMMANDS CLEARED BY ANOTHER INITIATOR

All values are in hex

Table A.2 (cont.) - CD General Errors

Sense Key	ASC	ASCQ		Description
	34	00	R	ENCLOSURE FAILURE
	35	00	R	ENCLOSURE SERVICES FAILURE
	35	01	R	UNSUPPORTED ENCLOSURE FUNCTION
	35	02	R	ENCLOSURE SERVICES UNAVAILABLE
	35	03	R	ENCLOSURE SERVICES TRANSFER FAILURE
	35	04	R	ENCLOSURE SERVICES TRANSFER REFUSED
5	3D	00	R	INVALID BITS IN IDENTIFY MESSAGE
2	3E	00	R	LOGICAL UNIT HAS NOT SELF-CONFIGURED YET
4	3E	01	++R	LOGICAL UNIT FAILURE
4	3E	02	++R	TIMEOUT ON LOGICAL UNIT
6	3F	00	R	TARGET OPERATING CONDITIONS HAVE CHANGED
6	3F	01	R	MICROCODE HAS BEEN CHANGED
6	3F	02	R	CHANGED OPERATING DEFINITION
6	3F	03	R	INQUIRY DATA HAS CHANGED
4	40	NN	R	DIAGNOSTIC FAILURE ON COMPONENT NN (80H-FFH)
5	43	00	R	MESSAGE ERROR
4	44	00	R	INTERNAL TARGET FAILURE
b	45	00	R	SELECT OR RESELECT FAILURE
4	46	00	R	UNSUCCESSFUL SOFT RESET
4	47	00	R	SCSI PARITY ERROR
b	48	00	R	INITIATOR DETECTED ERROR MESSAGE RECEIVED
b	49	00	R	INVALID MESSAGE ERROR
4	4A	00	R	COMMAND PHASE ERROR
4	4B	00	R	DATA PHASE ERROR
4	4C	00	R	LOGICAL UNIT FAILED SELF-CONFIGURATION
b	4D	NN	R	TAGGED OVERLAPPED COMMANDS (NN = QUEUE TAG)
b	4E	00	R	OVERLAPPED COMMANDS ATTEMPTED
6	5A	00	R	OPERATOR REQUEST OR STATE CHANGE INPUT
6	5A	01	R	OPERATOR MEDIUM REMOVAL REQUEST
6	5B	00	R	LOG EXCEPTION
6	5B	01	R	THRESHOLD CONDITION MET
6	5B	02	R	LOG COUNTER AT MAXIMUM
6	5B	03	R	LOG LIST CODES EXHAUSTED
6	5D	00	R	FAILURE PREDICTION THRESHOLD EXCEEDED
6	5D	FF	R	FAILURE PREDICTION THRESHOLD EXCEEDED (FALSE)
4	65	00	R	VOLTAGE FAULT

Note: All values are in hex

Table A.3 lists errors that may be generated by media access commands of any type (read of control or user data or writing of control or data area).

Table A.3 - CD Media Access Errors

Sense Key	ASC	ASCQ		Description
4	00	17	R	CLEANING REQUESTED
3	02	00	R	NO SEEK COMPLETE
3	06	00	R	NO REFERENCE POSITION FOUND
4	09	00	R	TRACK FOLLOWING ERROR
4	09	01	R	TRACKING SERVO FAILURE
4	09	02	R	FOCUS SERVO FAILURE
4	09	03	R	SPINDLE SERVO FAILURE
4	09	04	R	HEAD SELECT FAULT
3	11	00	R	UNRECOVERED READ ERROR
3	11	01	++R	READ RETRIES EXHAUSTED
3	11	02	++R	ERROR TOO LONG TO CORRECT
3	11	05	R	L-EC UNCORRECTABLE ERROR
3	11	06	R	CIRC UNRECOVERED ERROR
3	11	0F	R	ERROR READING UPC/EAN NUMBER
3	11	10	R	ERROR READING ISRC NUMBER
3	15	00	R	RANDOM POSITIONING ERROR
3	15	01	R	MECHANICAL POSITIONING ERROR
3	15	02	R	POSITIONING ERROR DETECTED BY READ OF MEDIUM
1	17	00	R	RECOVERED DATA WITH NO ERROR CORRECTION APPLIED
1	17	01	R	RECOVERED DATA WITH RETRIES
1	17	02	R	RECOVERED DATA WITH POSITIVE HEAD OFFSET
1	17	03	R	RECOVERED DATA WITH NEGATIVE HEAD OFFSET
1	17	04	R	RECOVERED DATA WITH RETRIES AND/OR CIRC APPLIED
1	17	05	R	RECOVERED DATA USING PREVIOUS SECTOR ID
1	17	07	++R	RECOVERED DATA WITHOUT ECC - RECOMMEND REASSIGNMENT
1	17	08	++R	RECOVERED DATA WITHOUT ECC - RECOMMEND REWRITE
1	17	09	++R	RECOVERED DATA WITHOUT ECC - DATA REWRITTEN
1	18	00	R	RECOVERED DATA WITH ERROR CORRECTION APPLIED
1	18	01	R	RECOVERED DATA WITH ERROR CORR. & RETRIES APPLIED
1	18	02	R	RECOVERED DATA - DATA AUTO-REALLOCATED
1	18	03	R	RECOVERED DATA WITH CIRC
1	18	04	R	RECOVERED DATA WITH L-EC
1	18	05	R	RECOVERED DATA - RECOMMEND REASSIGNMENT
1	18	06	R	RECOVERED DATA - RECOMMEND REWRITE
5	21	00	R	LOGICAL BLOCK ADDRESS OUT OF RANGE

Note: All values are in hex

Table A.3 (cont.) - CD Media Access Errors

Sense Key	ASC	ASCQ		Description
2	30	00	R	INCOMPATIBLE MEDIUM INSTALLED
2	30	01	R	CANNOT READ MEDIUM - UNKNOWN FORMAT
2	30	02	R	CANNOT READ MEDIUM - INCOMPATIBLE FORMAT
2	30	03	++R	CLEANING CARTRIDGE INSTALLED
2	30	07	R	CLEANING FAILURE
3	31	00	R	MEDIUM FORMAT CORRUPTED
2	3A	00	R	MEDIUM NOT PRESENT
2	3A	01	++R	MEDIUM NOT PRESENT - TRAY CLOSED
2	3A	02	++R	MEDIUM NOT PRESENT - TRAY OPEN
3	57	00	R	UNABLE TO RECOVER TABLE-OF-CONTENTS
6	5E	00	R	LOW POWER CONDITION ON
6	5E	01	R	IDLE CONDITION ACTIVATED BY TIMER
6	5E	02	R	STANDBY CONDITION ACTIVATED BY TIMER
6	5E	03	R	IDLE CONDITION ACTIVATED BY COMMAND
6	5E	04	R	STANDBY CONDITION ACTIVATED BY COMMAND
5	63	00	R	END OF USER AREA ENCOUNTERED ON THIS TRACK
5	64	00	R	ILLEGAL MODE FOR THIS TRACK
3	73	00	R	CD CONTROL ERROR

Note: All values are in hex

Table A.4 describes errors that may be generated by commands that cause user or control data to be written to the medium.

Table A.4 - CD Write Errors

Sense Key	ASC	ASCQ		Description
3	0C	00	R	WRITE ERROR
3	0C	07	R	WRITE ERROR - RECOVERY NEEDED
3	0C	08	R	WRITE ERROR - RECOVERY FAILED
3	0C	09	R	WRITE ERROR - LOSS OF STREAMING
3	0C	0A	R	WRITE ERROR - PADDING BLOCKS ADDED
5	27	00	++R	WRITE PROTECTED
5	27	01	++R	HARDWARE WRITE PROTECTED
5	27	02	++R	LOGICAL UNIT SOFTWARE WRITE PROTECTED
5	27	03	++R	ASSOCIATED WRITE PROTECT
5	27	04	++R	PERSISTENT WRITE PROTECT
5	27	05	++R	PERMANENT WRITE PROTECT
2	30	04	R	CANNOT WRITE MEDIUM - UNKNOWN FORMAT
2	30	05	R	CANNOT WRITE MEDIUM - INCOMPATIBLE FORMAT
5	30	08	R	CANNOT WRITE - APPLICATION CODE MISMATCH
5	30	09	R	CURRENT SESSION NOT FIXATED FOR APPEND
6	5A	02	++R	OPERATOR SELECTED WRITE PROTECT
6	5A	03	++R	OPERATOR SELECTED WRITE PERMIT
1	73	01	R	POWER CALIBRATION AREA ALMOST FULL
3	73	02	R	POWER CALIBRATION AREA IS FULL
3	73	03	R	POWER CALIBRATION AREA ERROR
3	73	04	R	PROGRAM MEMORY AREA UPDATE FAILURE
3	73	05	R	PROGRAM MEMORY AREA IS FULL

Note: All values are in hex

Table A.5 describes errors that may be generated by commands that cause the CD session to be closed.

Table A.5 - CD Fixation Errors

Sense Key	ASC	ASCQ		Description
5	2C	03	R	CURRENT PROGRAM AREA IS NOT EMPTY
5	2C	04	R	CURRENT PROGRAM AREA IS EMPTY
3	72	00	R	SESSION FIXATION ERROR
3	72	01	R	SESSION FIXATION ERROR WRITING LEAD-IN
3	72	02	R	SESSION FIXATION ERROR WRITING LEAD-OUT
5	72	03	R	SESSION FIXATION ERROR - INCOMPLETE TRACK IN SESSION
5	72	04	R	EMPTY OR PARTIALLY WRITTEN RESERVED TRACK

Note: All values are in hex

Annex B ATAPI Compliance (normative)

B.1. Introduction

This section describes the implementation of the MultiMedia Commands in ATAPI devices. The intent is to make the command sets highly compatible. It is desired that a common driver may be written to control both SCSI and ATAPI devices.

B.2. General

ATAPI devices implement a subset of SCSI behavior. Certain errors and conditions that exist in SCSI don't exist in ATAPI. In addition, certain terms are used in ATAPI instead of related SCSI terms. The mechanisms for transporting the commands, data, and status are unique to each transport. Addressing of units is also unique to each transport. MMC does not directly specify any of these mechanisms; the command and data layer definition may be layered on either transport.

B.2.1. Terms

B.2.1.1. Host - the ATAPI equivalent for the SCSI term "Initiator."

B.2.1.2. Device - the ATAPI equivalent for the SCSI term "Target" or "Logical Unit."

B.2.1.3. Command Packet - the ATAPI equivalent for the SCSI term "Command Descriptor Block."

B.2.2. Supported Block Sizes

ATAPI does not use the block size in the mode select block descriptor. Instead, the block size shall be determined by the command. The READ command shall return 2048 bytes per block. The WRITE command shall send the number of bytes per block as determined by the WRITE PARAMETERS mode page. The READ CD and READ CD MSF commands shall return the number of bytes per block as specified by the command.

B.2.3. CD Audio error reporting

PLAY commands with the immediate bit set in the audio control mode return status as soon as the command has been validated (which may involve a seek to the starting address). The playback operation continues and may complete without notification to the initiator. Error termination of audio operations shall not be reported to the host by returning immediate CHECK CONDITION status to the next command. The status may be obtained with READ SUB-CHANNEL or any command that returns the audio status.

B.2.4. Multi-Initiator Environment

A multi-initiator environment cannot exist in ATAPI. Therefore, conditions that occur only in multi-initiator environments cannot occur. For example, there is no way in ATAPI to produce a reservation conflict, or for another initiator to change common mode parameters. The descriptions of these conditions in SCSI shall be ignored in ATAPI implementations.

B.2.5. Command Packet Padding

All ATAPI commands are twelve bytes long. SCSI commands are six, ten, or twelve bytes long. To build the appropriate ATAPI Command Packet, padding bytes shall be added to the six and ten byte SCSI Command Descriptor Blocks. Six byte commands shall have six padding bytes added. Ten byte commands shall have two padding bytes added. These pad bytes shall have a value of zero.

The Control byte shall be reserved and set to zero.

B.3. ATAPI CD Commands

Commands for ATAPI CD devices are listed in Table B.1. Commands that have no differences other than those mentioned in sub-clauses B.2.1. through B.2.5. are documented only in the main body of the document.

Table B.1. - ATAPI CD Commands

Command Name	Operation Code	Type	Sub-clause
Blank	A1h	E	MMC
Close Track/Session	5Bh	R	MMC
Format Unit	04h	E	MMC
Inquiry	12h	M	SPC
Load/Unload CD	A6h	C	MMC
Mechanism Status	BDh	M	MMC
Mode Select (10)	55h	M	SPC
Mode Sense (10)	5Ah	M	SPC
Pause/Resume	4Bh	A	MMC
Play Audio (10)	45h	A	MMC
Play Audio (12)	A5h	A	MMC
Play Audio MSF	47h	A	MMC
Play CD	BCh	O	MMC
Prevent/Allow Medium Removal	1Eh	M	SPC
Read (10)	28h	M	SBC
Read (12)	A8h	M	SBC
Read Buffer Capacity	5Ch	O	MMC
Read CD	BEh	M	MMC
Read CD MSF	B9h	M	6.1.14.
Read CD Recorded Capacity	25h	M	6.1.15.
Read Disc Information	51h	R	6.1.16.
Read Header	44h	M	6.1.18.
Read Master Cue	59h	O	6.1.19.
Read Sub-channel	42h	M	6.1.21.
Read TOC/PMA/ATIP	43h	M	6.1.22.
Read Track Information	52h	R	6.1.23.

Key: M = command implementation is mandatory
O = command implementation is optional
A = mandatory command when implementing Audio
R = mandatory command for CD-R/RW devices
E = mandatory command for CD-RW devices
C = mandatory for embedded changer

Table B.1. (cont.) - ATAPI CD Commands

Command Name	Operation Code	Type	Sub-clause
Repair Track	58h	O	
Request Sense	03h	M	SPC
Reserve Track	53h	R	6.1.28.
Scan	BAh	A	6.1.30.
Seek	2Bh	M	SBC
Send Cue Sheet	5Dh	O	6.1.31.
Send OPC Information	54h	O	6.1.33.
Set CD Speed	BBh	R	6.1.34.
Start/Stop Unit	1Bh	M	SBC
Stop Play/Scan	4Eh	M	
Synchronize Cache	35h	R	
Test Unit Ready	00h	M	SPC
Write (10)	2Ah	R	SBC
Write (12)	AAh	R	SBC

Key: M = command implementation is mandatory
O = command implementation is optional
A = mandatory command when implementing Audio
R = mandatory command for CD-R/RW devices
E = mandatory command for CD-RW devices
C = mandatory for embedded changer

B.4. Parameters for CD devices

B.4.1. Mode parameters

This sub-clause defines the descriptors and pages for mode parameters used with CD devices.

The Mode Parameter Block Descriptor does not apply to ATAPI devices, and the Block Descriptor Length in the Mode Parameter Header shall be set to 0. As the Block Descriptor doesn't apply, no density code shall apply.

The mode page codes for ATAPI CD devices are defined in Table B.2.

Table B.2 - Mode page codes

Page code	description	ref. doc.
00h	Vendor specific (does not require page format)	
01h	Read error recovery page	
02h	Write Cache Page	
03h-04h	Reserved	
05h	Write Parameter Page	
06h	Reserved	
07h	Reserved	
08h	Reserved	
09h	Reserved	
0Ah	Reserved	
0Bh	Reserved	
0Ch	Reserved	
0Dh	CD page	
0Eh	CD audio control page	
0Fh - 1Fh	Reserved	
20h - 29h	Vendor specific (page format required)	
2Ah	CD Capabilities and Mechanism Status Page	
2Bh - 3Eh	Vendor specific (page format required)	
3Fh	Return all pages (valid only for mode sense command)	

B.4.2. CD Audio Control parameters

All parameters are the same as defined for SCSI devices, except that the IMMED bit shall be set to 1.

B.4.3. Write Parameters Mode Page

In the Write Parameters Mode Page, (Write Type field) support for Packet and Track at Once shall be mandatory. Session at Once and Raw are optional.

Annex C Command Play/Scan Operation (normative)

The CD-ROM device should accept and perform the commands specified in Table C.1 without terminating an Audio Play command already in progress.

Table C.1 - Commands That Will Stop a Play or Scan Operation

Opcode	Command Description	Action Taken
ANY	When it generates an Illegal Field in Command Packet Check Condition	Will terminate normally
00h	TEST UNIT READY	Will execute normally
03h	REQUEST SENSE	Will execute normally
12h	INQUIRY	The data will be returned
1Bh	START/STOP UNIT	Will terminate immediately
1Eh	PREVENT/ALLOW MEDIA REMOVAL	Will terminate normally
25h	READ CD RECORDED CAPACITY	Will terminate normally
28h	READ (10)	Will terminate immediately
2Bh	SEEK	Will terminate immediately
42h	READ SUB-CHANNEL	Only the current position information (Format Code 01h) will be supported while the play is in progress. If any other type of information is requested the READ SUB-CHANNEL will not be executed and a CHECK CONDITION will be generated.
43h	READ TOC/PMA/ATIP	Only drives that cache the TOC will be able to respond to this command while the play is in progress. If the drive does not support caching the TOC, the command will not be executed and a CHECK CONDITION will be generated.
44h	READ HEADER	Will terminate immediately
45h	PLAY AUDIO (10)	Will terminate immediately
47h	PLAY AUDIO MSF	Will terminate immediately
4Bh	PAUSE/RESUME	Will terminate immediately
55h	MODE SELECT	The Mode Select will be accepted and executed as long as no Media or Mode information is changed. If parameters that affect the play are changed, the Mode Select will terminate with a CHECK CONDITION without being executed
5Ah	MODE SENSE	Will terminate normally
A6h	LOAD/UNLOAD CD	Will terminate immediately
B4h	PLAY CD	Will terminate immediately
BDh	MECHANISM STATUS	Will execute normally
BEh	READ CD	Will terminate immediately
B9h	READ CD MSF	Will terminate immediately
BAh	SCAN	SCAN command will be executed and the PLAY command will resume at completion of the scan
BBh	SET CD SPEED	Will terminate immediately

Annex N Command Listings (Informative)**Table N.1 - Multimedia Commands - Alphabetically**

Command Name	Operation Code	MMC Type	Sub-clause
BLANK Command	A1h	O	6.1.1.
CLOSE TRACK/SESSION	5Bh	M	6.1.2.
FORMAT UNIT	04h	O	6.1.3.
LOAD/UNLOAD CD	A6h	O	6.1.5.
MECHANISM STATUS	BDh	M	6.1.6.
PAUSE/RESUME	4Bh	O	6.1.7.
PLAY AUDIO (10)	45h	A	6.1.8.
PLAY AUDIO (12)	A5h	A	6.1.9.
PLAY AUDIO MSF	47h	A	6.1.10.
READ BUFFER CAPACITY	5Ch	O	6.1.12.
READ CD	BEh	O	6.1.13.
READ CD MSF	B9h	M	6.1.14.
READ CD RECORDED CAPACITY	25h	M	6.1.15.
READ DISC INFORMATION	51h	M	6.1.16.
READ HEADER	44h	M	6.1.18.
READ MASTER CUE	59h	O	6.1.19.
READ SUB-CHANNEL	42h	M	6.1.21.
READ TOC/PMA/ATIP	43h	M	6.1.22.
READ TRACK INFORMATION	52h	O	6.1.23.
REPAIR TRACK	58h	O	
RESERVE TRACK	53h	M	6.1.28.
SCAN	BAh	O	6.1.30.
SEEK	2Bh	M	
SEND CUE SHEET	5Dh	O	6.1.31.
SEND OPC INFORMATION	54h	O	6.1.33.
SET CD SPEED	BBh	M	6.1.34.
STOP PLAY/SCAN	4Eh	O	
SYNCHRONIZE CACHE	35h	M	
WRITE (10)	2Ah	O	6.1.38.

Key: M = command implementation is mandatory
O = command implementation is optional
A = Must be implemented for Audio

Table N.2 - Multimedia Commands - by OpCode

Command Name	Operation Code	MMC Type	Sub-clause
FORMAT UNIT	04h	O	6.1.3.
READ CD RECORDED CAPACITY	25h	M	6.1.15.
WRITE (10)	2Ah	O	6.1.38.
SEEK	2Bh	O	
SYNCHRONIZE CACHE(FLUSH)	35h	M	
READ SUB-CHANNEL	42h	M	6.1.21.
READ TOC/PMA/ATIP	43h	M	6.1.22.
READ HEADER	44h	M	6.1.18.
PLAY AUDIO (10)	45h	A	6.1.8.
PLAY AUDIO MSF	47h	A	6.1.8.
PAUSE/RESUME	4Bh	O	6.1.7.
STOP PLAY/SCAN	4Eh	O	
READ DISC INFORMATION	51h	M	6.1.16.
READ TRACK INFORMATION	52h	O	6.1.23.
RESERVE TRACK	53h	M	6.2.10
SEND OPC INFORMATION	54h	O	6.1.33.
REPAIR TRACK	58h	O	
READ MASTER CUE	59h	O	6.1.19.
CLOSE TRACK/SESSION	5Bh	M	6.1.2.
READ BUFFER CAPACITY	5Ch	O	6.1.12.
BLANK	A1h	O	6.2.2
PLAY AUDIO (12)	A5h	A	6.1.9.
LOAD/UNLOAD CD	A6h	O	6.1.5.
READ CD MSF	B9h	M	6.1.14.
SCAN	BAh	O	6.1.30.
SET CD SPEED	BBh	M	6.1.34.
MECHANISM STATUS	BDh	M	6.1.6.
READ CD	BEh	O	6.1.13.

Key: M = command implementation is mandatory
O = command implementation is optional
A = Must be implemented for Audio

Table N.3 - Commands Common to all SCSI Devices

Command Name	Operation Code	SCSI-3	
		Type	Ref Std
CHANGE DEFINITION	40h	O	
COMPARE	39h	O	
COPY	18h	O	
COPY AND VERIFY	3Ah	O	
INQUIRY	12h	M	
LOCK/UNLOCK CACHE	36h	O	
LOG SELECT	4Ch	O	
LOG SENSE	4Dh	O	
MODE SELECT (10)	55h	O	
MODE SELECT (6)	15h	M	
MODE SENSE (10)	5Ah	M	
MODE SENSE (6)	1Ah	M	
PREFETCH	34h	O	
PREVENT/ALLOW MEDIUM REMOVAL	1Eh	M	
READ (10)	28h	M	
READ (12)	A8h	O	
READ (6)	08h	O	
READ BUFFER	3Ch	O	
READ LONG	3Eh	O	
RECEIVE DIAGNOSTIC RESULTS	1Ch	O	
RELEASE (10)	57h	M	
RELEASE(6)	17h	O	
REQUEST SENSE	03h	M	
RESERVE(10)	56h	M	
RESERVE(6)	16h	O	
SEEK (10)	2Bh	M	
SEEK (6)	0Bh	M	
SEND DIAGNOSTIC	1Dh	M	
SET LIMITS (10)	33h	O	
SET LIMITS (12)	B3h	O	
START/STOP UNIT	1Bh	M	

Key: M = command implementation is mandatory
O = command implementation is optional

Table N.4 (cont.) - Commands Common to all SCSI Devices

Command Name	Operation Code	SCSI-3	
		Type	Ref Std
TEST UNIT READY	00h	M	
VERIFY (10)	2Fh	O	
VERIFY (12)	AFh	O	
WRITE BUFFER	3Bh	O	

Key: M = command implementation is mandatory

O = command implementation is optional

The following command codes are vendor-specific: 02h, 05h, 06h, 09h, 0Ch, 0Dh, 0Eh, 0Fh, 10h, 11h, 13h, 14h, 19h, 20h, 21h, 22h, 23h, 24h, 26h, 27h, 29h, and C0h through FFh.

Annex O - Event/Status Notification Functions (Informative)

Annex P - Power Management Functions (Informative)