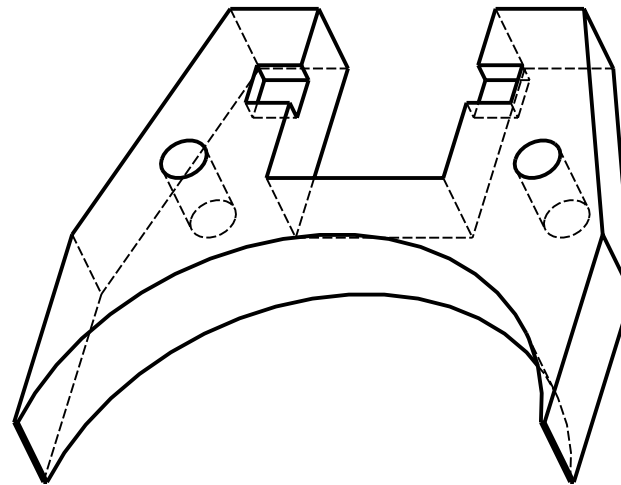
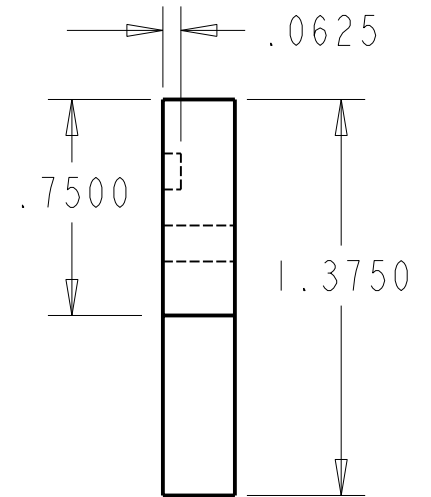
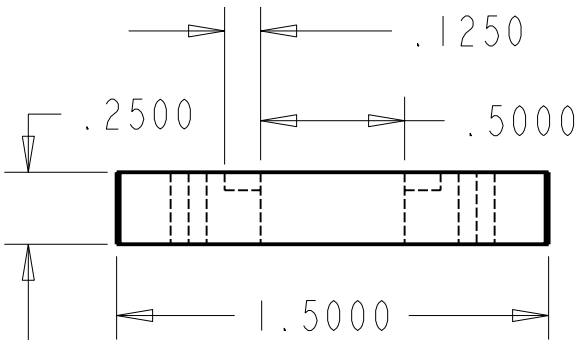


SCALE 1.500



SCALE 2.000

TOL:  $\pm .002$

PARAPLEGIC HELICOPTER CONTROL

UPPER HALF OF FULCRUM

MATERIAL: AI

12-4-97

JOSEPH FERREIRA

SCALE: INCHES

**F**